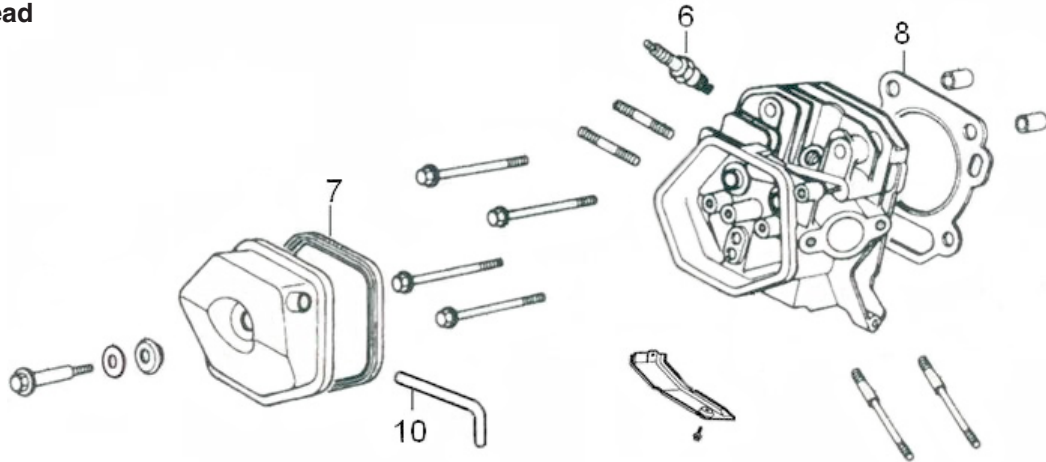


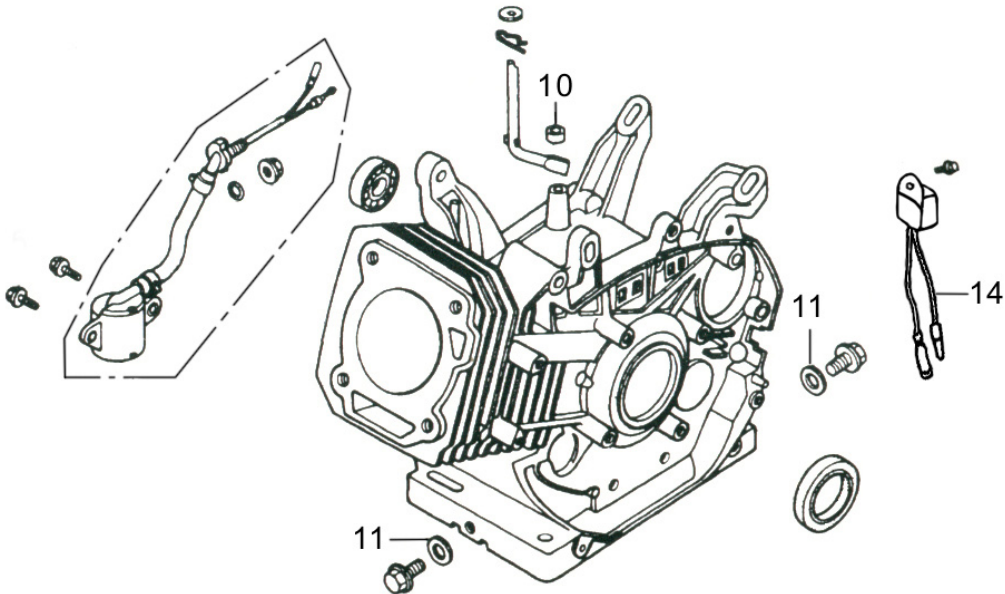
Cylinder Head



ITEM	PART NO.	QTY.	DESCRIPTION
6	0G84420101	1	SPARK PLUG
7	0G9919	1	GASKET, CYLINDER

ITEM	PART NO.	QTY.	DESCRIPTION
8	0G84420102	1	SEALING PAD, CYLINDER
10	0G84420103	1	TUBE, BREATHER

Crankcase



ITEM	PART NO.	QTY.	DESCRIPTION
10	0G84420108	1	OIL SEAL
11	0G84420109	2	WASHER, DRAIN PLUG

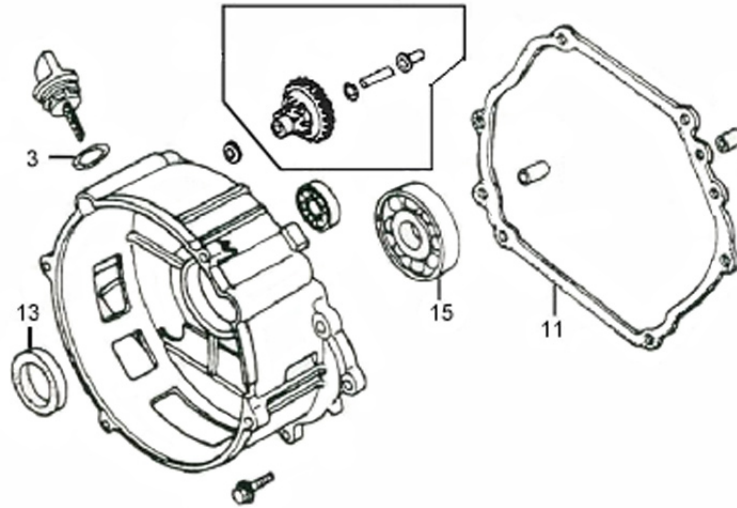
ITEM	PART NO.	QTY.	DESCRIPTION
14	0G84420112	1	ALERT UNIT, OIL

# 389cc ENGINE



## Crankcase Cover

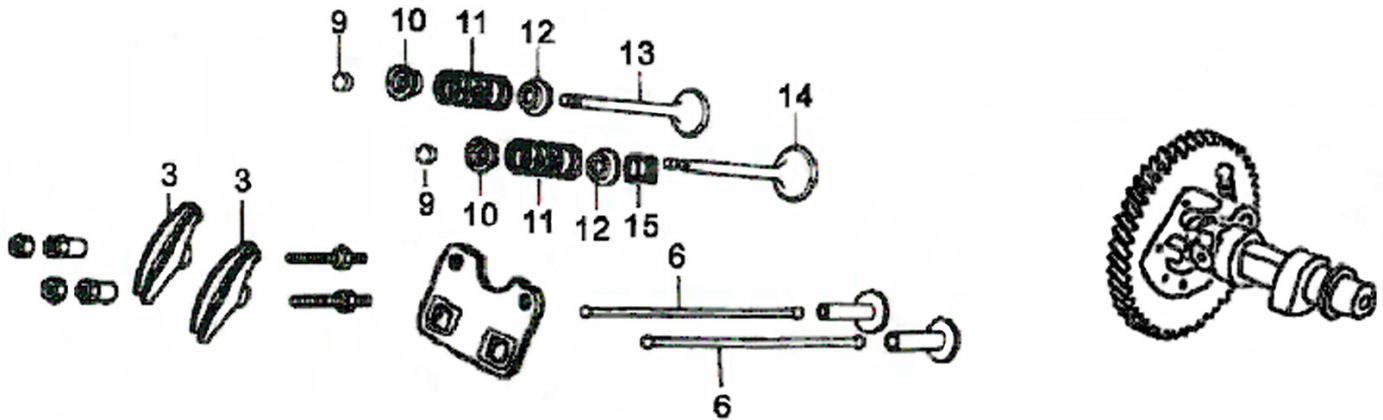
Oil Dipstick = 0G9799



ITEM	PART NO.	QTY.	DESCRIPTION
3	0G84420114	1	O-RING OIL FILLER CAP
11	0G84420115	1	PACKING, CASE COVER

ITEM	PART NO.	QTY.	DESCRIPTION
13	0G84420116	1	OIL SEAL
15	0G84420117	1	BEARING, RADIAL BALL

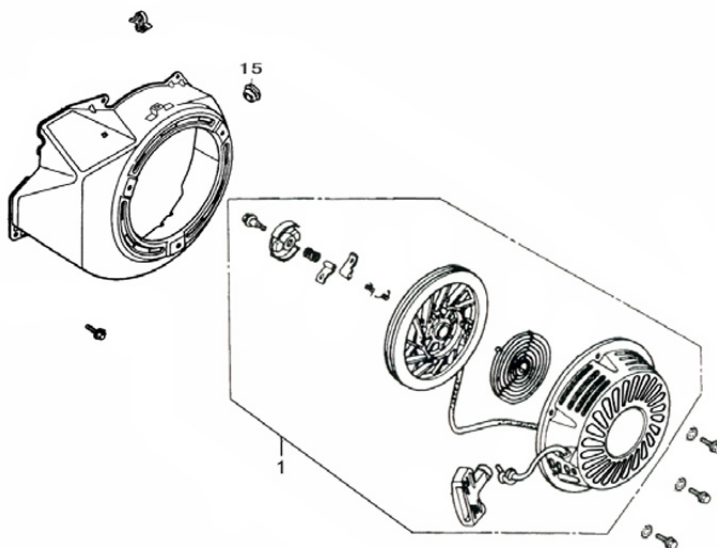
## Camshaft



ITEM	PART NO.	QTY.	DESCRIPTION
3	0G84420120	2	ROCKER ARM
6	0G84420121	2	PUSH ROD
9	0G84420122	1	ROTATOR, VALVE
10	0G84420123	1	RETAINER, EX. VALVE SPRING
11	0G84420124	2	SPRING, VALVE

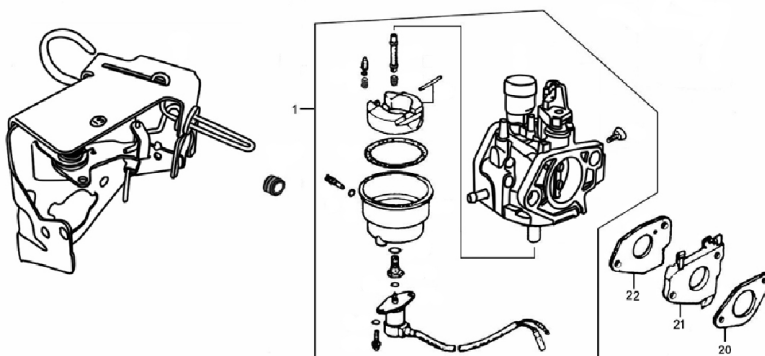
ITEM	PART NO.	QTY.	DESCRIPTION
12	0G84420125	1	SEAT, VALVE SPRING
13	0G84420126	1	VALVE, EX.
14	0G84420127	1	VALVE, IN.
15	0G84420128	1	SEAL, VALVE STEM

**Starter**



ITEM	PART NO.	QTY.	DESCRIPTION
1	0G9798	1	STARTER ASSY.
15	0G9911	1	RUN/STOP SWITCH

**Carburetor**



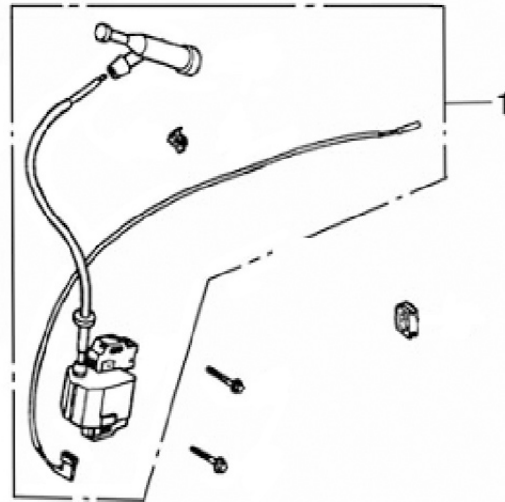
ITEM	PART NO.	QTY.	DESCRIPTION
1	0G9915	1	CARBURETOR ASSY.
20	0G84420144	1	GASKET, INSULATOR

ITEM	PART NO.	QTY.	DESCRIPTION
21	0G84420145	1	SPACER, CARBURETOR
22	0G9916	1	GASKET, CARBURETOR

# 389cc ENGINE

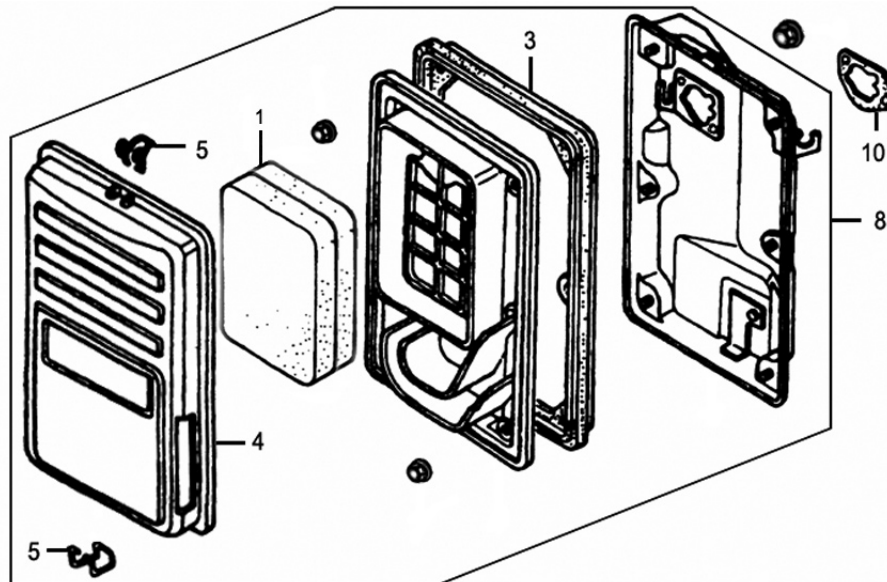


## Ignition



ITEM	PART NO.	QTY.	DESCRIPTION
1	0G84420150	1	COIL ASSY., IGNITION

## Air Cleaner



ITEM	PART NO.	QTY.	DESCRIPTION
1	0G84420151	1	ELEMENT, AIR CLEANER, 2-PIECE
3	0G84420152	1	SEAL, AIR CLEANER
4	0G84420153	1	COVER, AIR CLEANER

ITEM	PART NO.	QTY.	DESCRIPTION
5	0G84420154	2	CLIP A, AIR CLEANER WIRE
8	0G84420155	1	AIR CLEANER
10	0G84420156	1	PACKING, AIR CLEANER