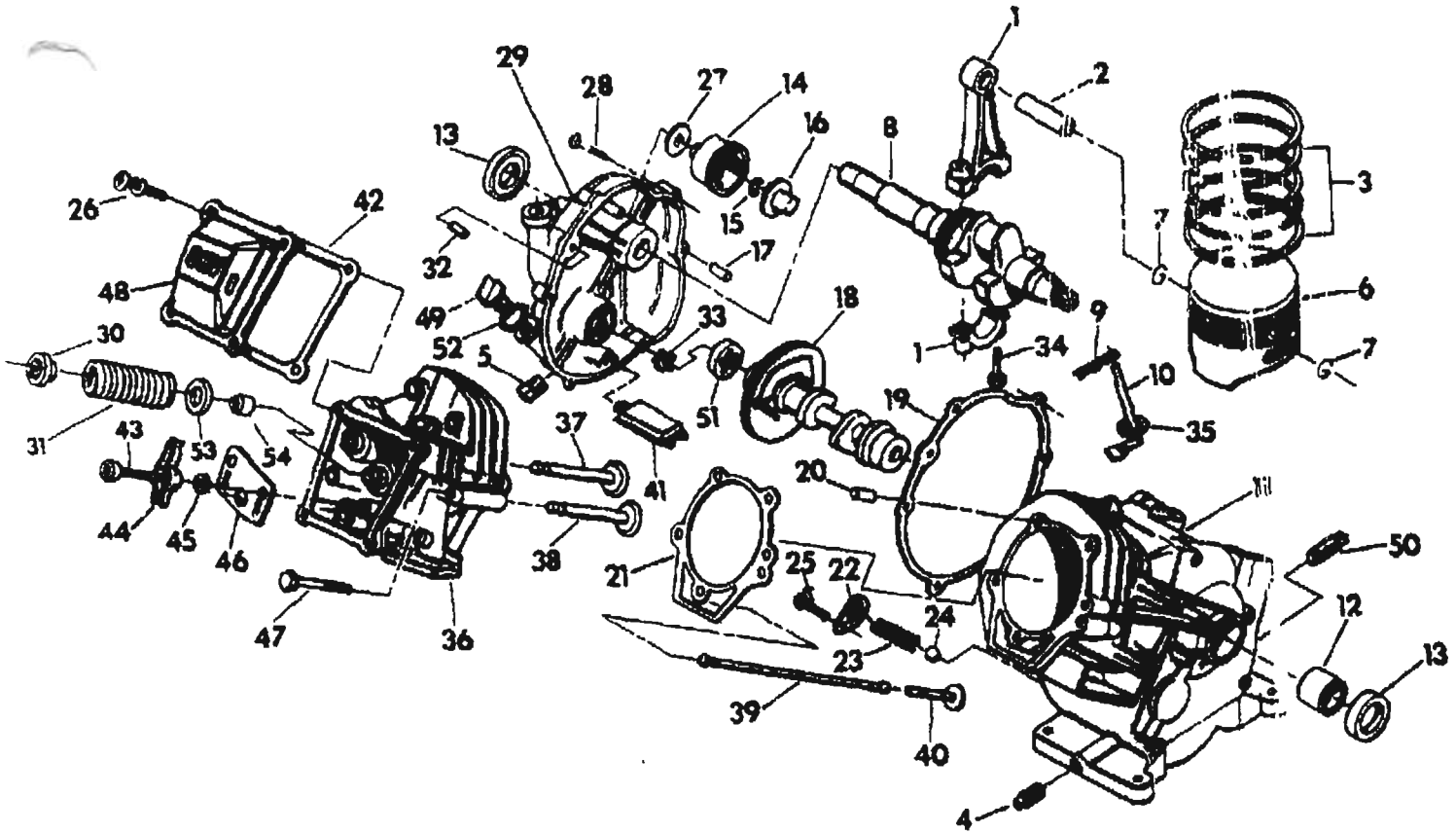
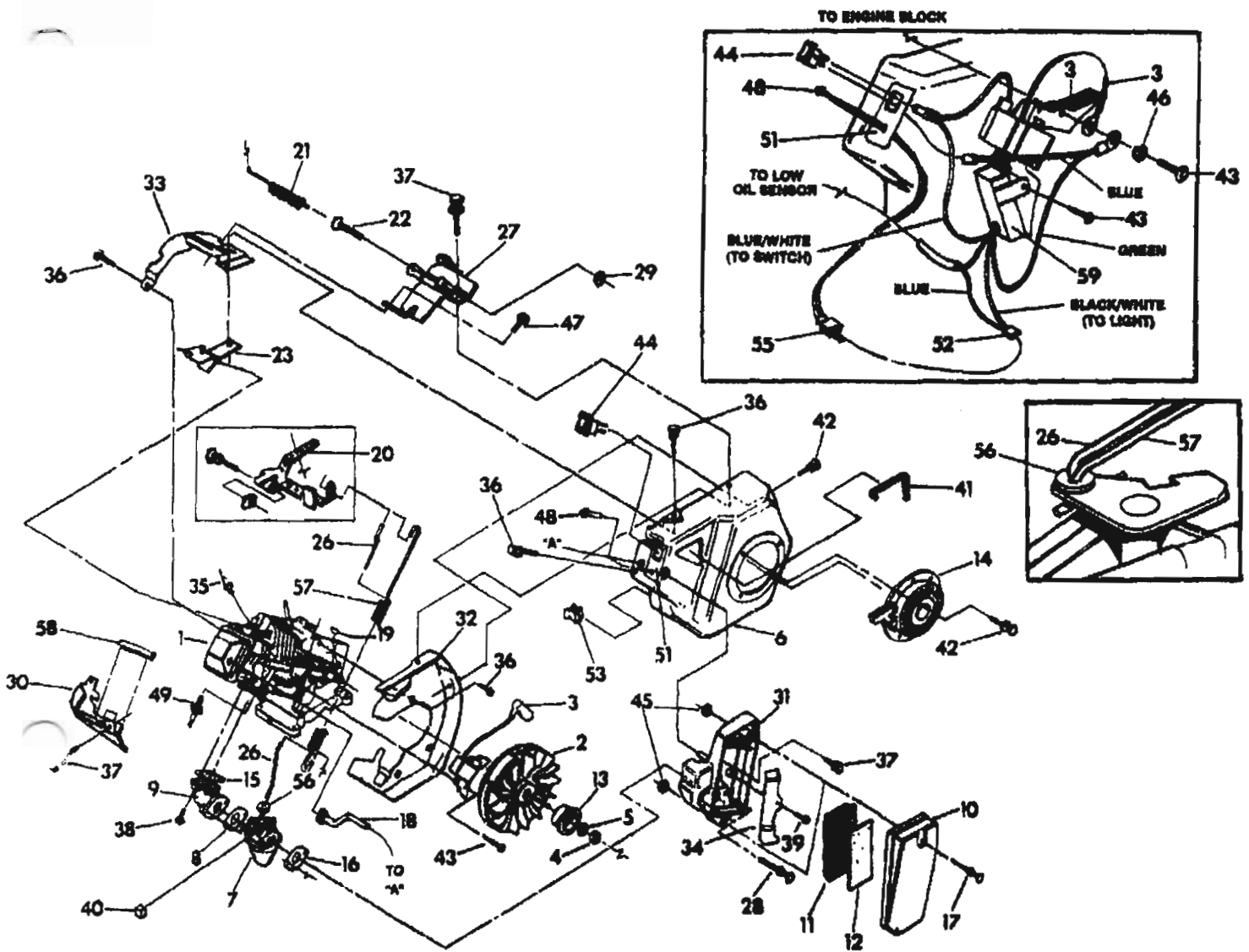


GN 160



Ref #	Part Number	Qty	Description
	78621	1	Connecting Rod with Cap and Bolt
	76389	1	Piston Pin
	78660	1	Piston Ring Set
	81694	1	1/4" Magnetic Pipe Plug
	72683	1	1/8" NPTF Pipe Plug
	76386	1	Piston
	76390	2	Piston Pin Retainer
	81678	1	Crankshaft Assembly w/Gear
	78658	1	Governor Arm "R" Pin
	76354	1	Governor Arm
	88276	1	Crankcase Sub-assembly
	76349	1	Sleeve Bearing
	81695	2	Crankshaft Seal
	76359	1	Governor Gear Assembly
	78645	1	Governor Retainer ("C" ring)
	76365	1	Governor Spool
	78699A	1	Sleeve Dowel (10" dia.)
	83335	1	Camshaft Assembly
	76350	1	Crankcase Gasket
	78699B	2	Sleeve Dowel (12" dia.)
	77165B	1	Cylinder Head Gasket
	78691	1	Oil Pressure Sprg Retainer
	76367	1	Oil Pressure Spring
	76362	1	Pressure Relief Ball
	78692	1	M5-0.8 x 8mm Screw
	78606	4	M6-1.0 x 12mm Screw
	76361	1	Thrust washer
	78661	6	Flanged Hex Capscrew
	88277B	1	Sub-assembly Gear Cover
	77157	2	Valve Spring Retainer
	76398	2	Valve Spring
	78633	1	10mm dia. x 20mm Dowel Pin
	83152	1	Inner Gerotor
	76381	2	Connecting Rod
	78659	1	Governor Arm Washer
	78623	1	Cylinder Head with Valve Seats and Guides
	73121	1	Exhaust Valve
	73120	1	Intake Valve
	76392	2	Push Rod
	83235	2	Tappot
	80336	1	Oil Pickup Assembly
	77167	1	Rocker Cover Gasket
	77161	2	Pivot Ball Stud
	77160	2	Rocker Arm
	76307	2	Jam Nut (rocker arm)
	77162	1	Push Rod Guide Plate
	77168	5	M8 x 50mm Head Bolt
	81690	1	Rocker Cover Brthr. Assm.
	76329	2	Oil Fill Plug
	72657	1	1/4" NPT Pipe Plug
	83153	1	Outer Gerotor -- 6/5
	86254	2	O-ring - 17.8mm I.D. x 2.4mm
	84186	2	Valve Spring Washer



Ref #	Part Number	Qty	Description
	86656H	1	6 HP HS, Straight Shaft Long Block
	84426A	1	Flywheel Assembly
	81675	1	Ignition Coil Assembly
	81810	1	M16-1.5 Hex Nut
	83312	1	Conical Washer
	85118	1	Complete Blower Housing
	83666	1	Carburetor HS Assembly
	78631	1	Carburetor/Manifold Gasket
	77197	1	HS Intake Manifold
	78608	1	Air Cleaner Cover
	84892	1	Air Filter Element
	78602	1	Air Filter Pre-Cleaner
	83015	1	Recoil Cup
	81671	1	Recoil Assembly
	82776	1	Manifold/Head Gasket
	78632	1	Carburetor/Air Cleaner Gasket
	78609	2	Air Cleaner Cover Bolt
	82755	1	Breather Hose
	82774	1	4 x 19 Woodruff Key
	83779	1	Governor Lever
	78604	1	Governor Spring
	83502	1	Governor Adjusting Screw
	83198	1	Air Deflector
	80317	1	M6-1.0 Square Nut
	83532	1	M6-1.0 x 30mm Flanged Hex Head Capscrew
	86384	1	Governor Rod
	83781	1	Governor Adjust Bracket
	78643	2	Carburetor Mounting Bolt
	83503	1	M5-0.8 Mounting Lock Nut
	83197	1	Bottom Wrapper
	78607	1	Air Cleaner Base
	78651C	1	Blower Housing Back Plate
	83196	1	Top Wrapper
	80303	1	Breather Canal Cover
	72347	1	Champion RC12YC Spark Plug
	45756	6	M6-1.0 x 10mm Taptite Bolt
	66476	4	M6-1.0 x 12mm Capscrew with lock washer
	80316	2	M6-1.0 x 30mm Capscrew with lock washer
	59635	1	No. 8 x 3/8" Plastite Screw
	83504	1	Choke Lever Knob
	84867	1	Air Cleaner/Blower Housing Seal
	81668	5	M6-1.0 x 10mm Capscrew with lock washer
	82981	2	M6-1.0 x 30mm Taptite Bolt
	78653	1	Shut-off Switch
	49813	2	M6- 1.0 Hex Nut
	22097	1	M6 Lock Washer
	83512	1	M8 x 15mm Taptite Bolt
	86753	1	Low Oil Indicator LED Assembly
	60108	1	8-12 psi Oil Pressure Switch
	86957	1	Low Oil Shutdown Module
	84195	1	LOS Engine Decal
	84353	1	3-pin Female Housing
	84274	1	Tinnerman Cable Clamp
	14280	1	3-pin Male Housing

~~3500~~ 6000 CP Pressure Washer
Engine Trim Parts

GN140

Ref #	Part Number	Qty	Description
7	86037	1	Anti-lash Extension Spring
3	86331	1	Black Rubber Trim
3	86957	1	Low Oil Shutdown Module

GN 160 Early Head Components

PART #	DESCRIPTION	Qty.
73120	VALVE, INTAKE DIA 29	1
73121	VALVE,EXH DIA 26 6HP	1
76307	NUT, JAM (ROCKR ARM)	2
76398	SPRING, VALVE 6 HP	2
77157	RETAINER, VALVE SPRG	2
77160	ARM, ROCKER, GN191	2
77161	STUD, PIVOT BALL	2
77162	PLATE,PUSH ROD GUIDE	1
78623	ASSY, CYL HD GDS&STS	1
84186	WEAR WSHR,VLV SPRNG	2
88155	SEAL,VALVE STEM 5.5	1

*Head gasket 077165B