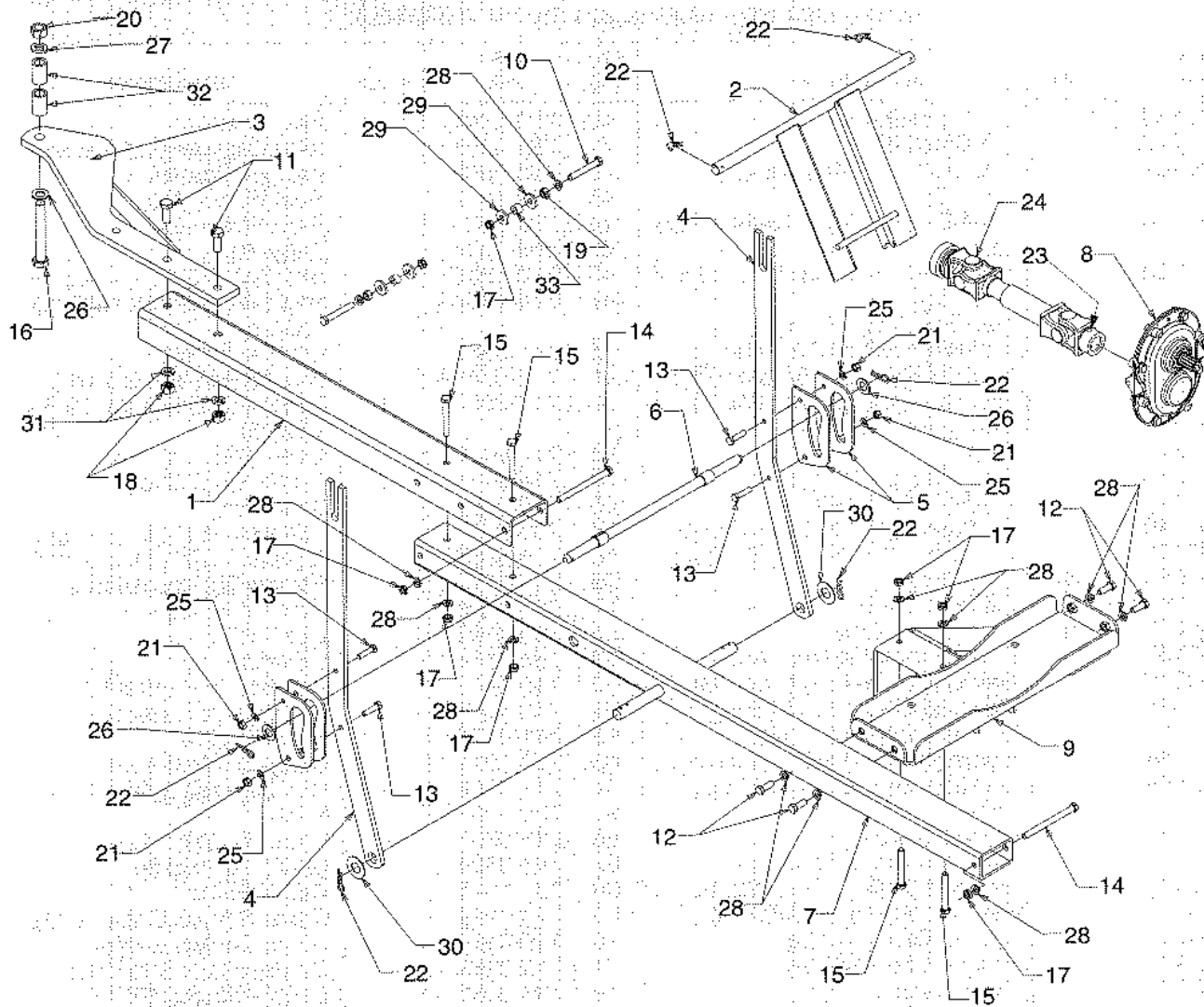
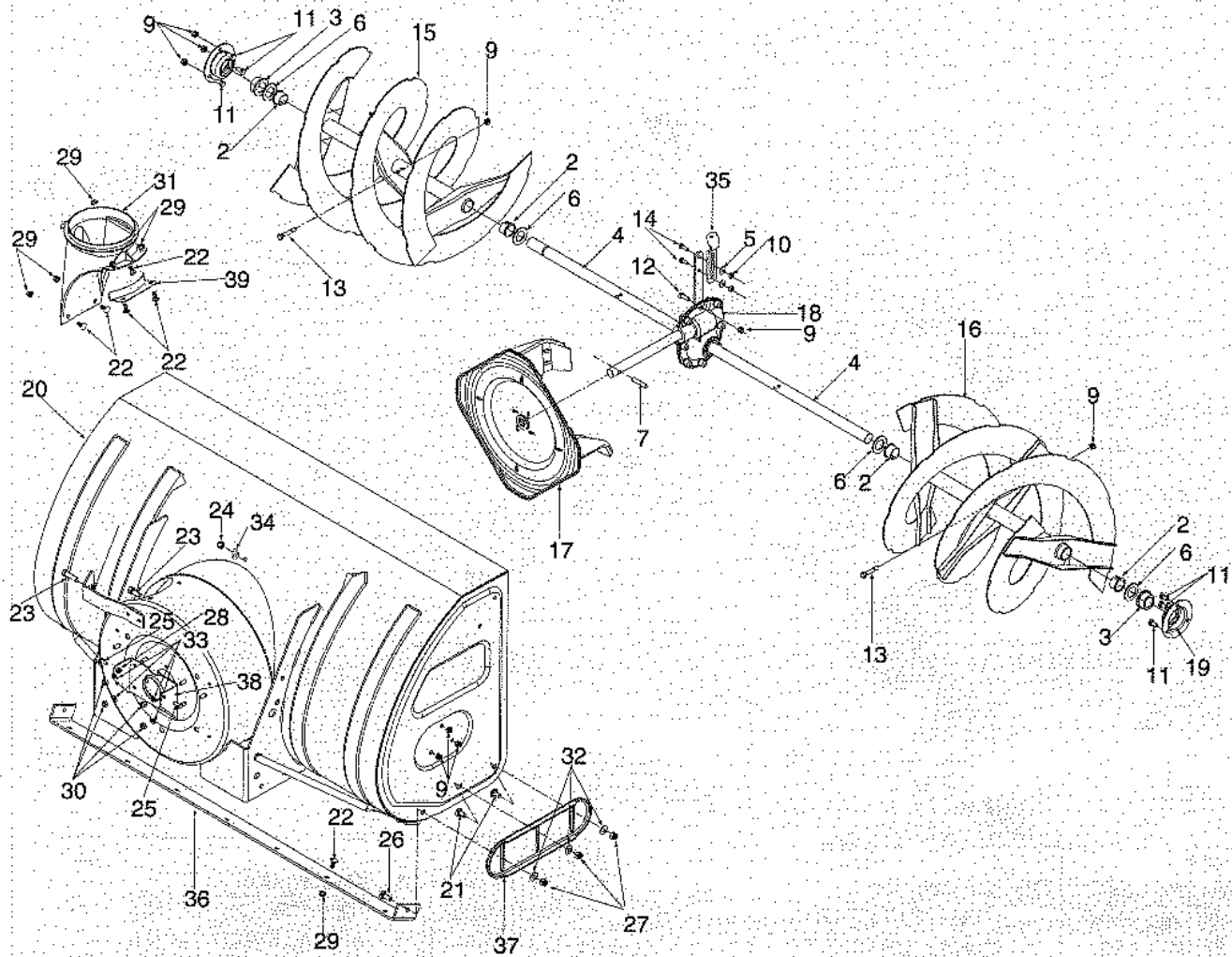


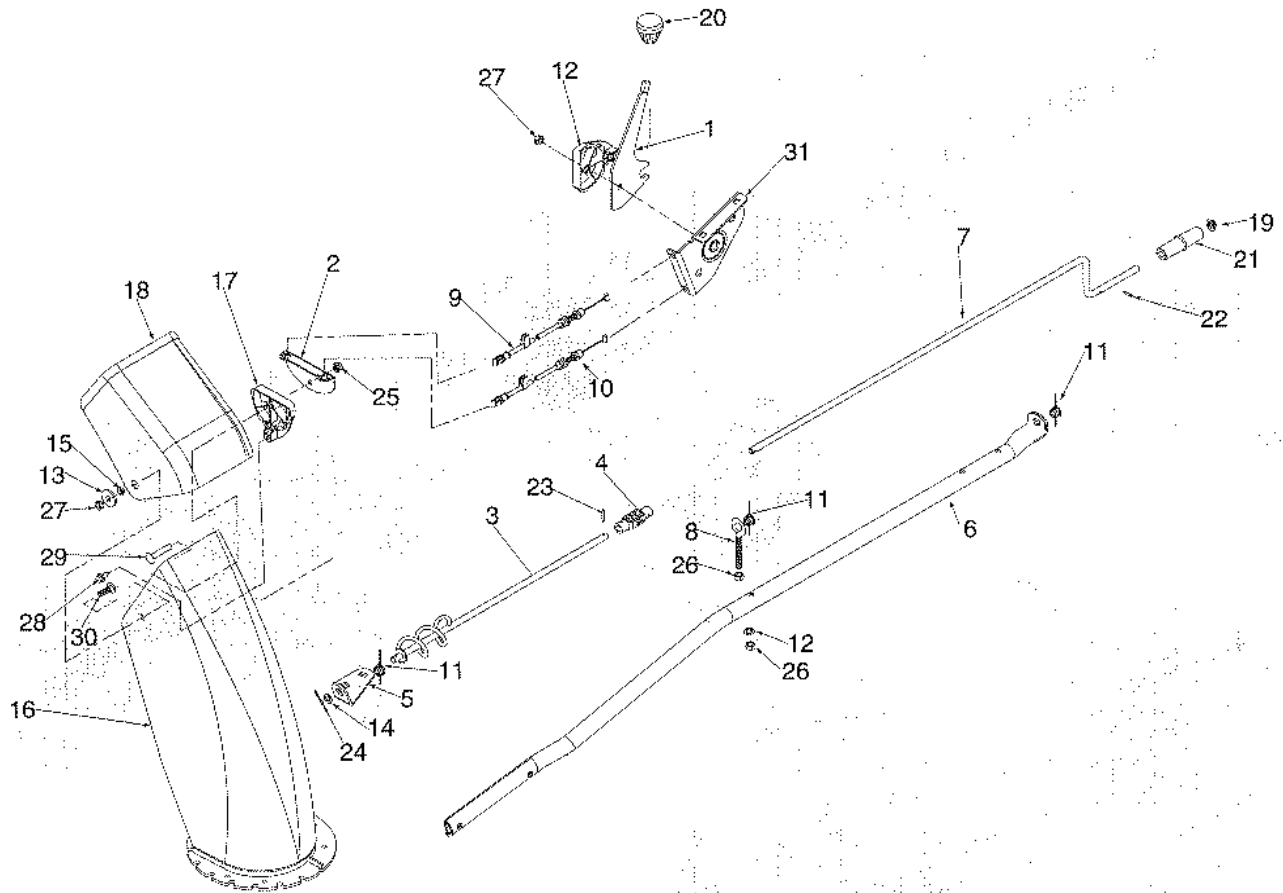
Model 190-623



Ref. No.	Part No.	Qty.	Description	Ref. No.	Part No.	Qty.	Description
1	05611A	1	LIFT BRKT	18	712-0206	2	NUT:1/2-13:GRA:HX
2	05613	1	BRKT ASM:GUIDE	19	712-0241	2	NUT:3/8-24:GRA:HX
3	05646	1	HITCH HANGING BAR	20	712-0337	1	NUT:5/8-18:GRD:HX
4	13780	2	LIFT BAR	21	712-3010	4	NUT:5/16-18:GRB:HX
5	13781	4	CAM:LIFT	6	715-0147	6	PIN:COT.:125X1.75 INTERNAL
6	13789	1	CROSS SHAFT ASSY FRONT	22	715-0113	1	PIN:SPIROL:5/16:2.50
7	684-0094	1	LIFT ASM:TUBE	23	717-0366	1	SHF:DR:UNIV X 1344 LG
8	684-0097	1	BOX ASM:GEAR	25	736-0119	4	WASH:LOCK:5/16:REGULAR DUTY
9	684-0124	1	BRKT ASM:HSG:MT	26	736-0156	3	WASH:FL:.635X1.125X.090
10	710-0369	2	HHCS:3/8-24:2.50:GR5:SPEC	27	736-0158	1	WASH:LOCK:5/8:REGULAR DUTY
11	710-0474	2	HHCS:1/2-13:1.25:GR2:STD	28	736-0169	12	WASH:LOCK:3/8:REGULAR DUTY
12	710-0514	4	HHCS:3/8-16:1.00:GR5:STD	29	736-0258	4	WASH:FLAT:.385 X 1.0 X .135
13	710-0528	4	HHCS:5/16-18:1.25:GR5:STD	30	736-0316	2	WASH:FL:.781D X 1.590 OD X .06
14	710-0620	2	HHCS:3/8-24:4.50:GR5:STD	31	736-0921	2	WASH:LOCK:1/2:REGULAR DUTY
15	710-0629	4	HHCS:3/8-24:2.75:GR5:STD	32	750-0156	2	HUB .635 ID X 1.00 OD X 1.50
16	710-0929	1	HHCS:5/8-18:4.50:GR5:STD	33	750-0497	2	SPCR:.375 IDX .625 ODX .445 LG
17	712-0116	8	NUT:JAM:3/8-24:INS LOCK				



Ref. No.	Part No.	Qty.	Description	Ref. No.	Part No.	Qty.	Description
1	784-5710	1	PLT:SUPT	21	710-0389	4	CARRIAGE BOLT 3/8-16 X .75
2	741-0494	4	BUSH:FLG:1.05 ID X 1.16 OD	22	710-0451	12	BOLT:CAR:5/16-18:.75
3	741-0192	2	BRG:FLG:W/FLATS	23	710-0520	2	HHCS:3/8-16:1.50:GR5:STD
4	738-0492	1	SPIRAL AXLE 1.00 X 44.12	24	710-0726	1	SCR:AB:5/16-12:0.750:HXINDWSH
5	736-0270	2	WASH:BELL: .265 X .75 X .062	25	710-3015	2	HHCS:1/4-20:.75:GR5:STD
6	736-0250	4	FL-WASH 1.00 ID X 1.75 OD X .1	26	710-3168	2	BOLT:CARR:3/8-16
7	715-0118	1	SPRING PIN SPIR 5/16 DIA X 1.7	27	712-0130	8	NUT:HX:3/8-16:GRC:LOCK
9	712-0429	9	NUT:HX:5/16-18:GRC:LOCK	28	712-0324	2	NUT:HX:1/4-20:GRC:LOCK
10	712-0138	2	NUT:1/4-28:GRA:HX	29	712-0429	12	NUT:HX:5/16-18:GRC:LOCK
11	710-3025	6	HHCS:5/16-18:.625:GR5:STD	30	712-3010	4	NUT:5/16-18:GRB:HX
12	710-3008	1	HHCS:5/16-18:.75:GR5:STD	31	731-1696	1	CHUT:ADAP:6" DIA
13	710-0891	2	SHEAR BOLT 5/16 - 18 X 1-3/4	32	736-0105	6	WASH:SPR: .401 X .870 X .063
14	710-0412	2	HHCS:1/4-28:.75:GR5:STD	33	736-0119	4	WASH:LOCK:5/16:REGULAR DUTY
15	684-0073	1	SPRL ASM:LH:16"	34	736-0242	1	WASH:BELVL: .340 ID X .872 OD
16	684-0072	1	SPRL ASM:RH	35	784-5076	1	GEAR HOUSG.SUPP:BRKT
17	684-0069	1	IMPLR ASM:16"	36	784-5696	1	PLT:SHAVE
18	618-0244	1	GEAR ASM:AUGER	37	784-5697	2	SHOE:SKID
19	05845A	2	HSG:BRG:1.50 DBL-T	38	784-5703	1	BRKT:MT:BRG
20	684-0068	1	HSG ASM:SPRL:45"	39	784-5711	1	BRKT:CHUT:6.0



Ref. No.	Part No.	Qty.	Description	Ref. No.	Part No.	Qty.	Description
1	784-5604	1	HNDL:TILT:CHUTE	17	731-1313B	2	GDE:CBL:CHUTE TILT
2	784-5594	1	CABLE BRACKET	18	731-0849	1	6" DIA UPPER CHUTE
3	784-5401	1	CHUTE CRANK ASSY 18.0 LG - RH	19	726-0100	1	CAP:PUSH X 3/8 ROD
4	784-5149	1	BLOCK ASS:JOINT	20	720-0232	1	KNOB:SHFT:1.60 OD X 1.56
5	784-5123	1	CHUTE CRANK BRACKET	21	720-0201A	1	KNOB:CRK:1.00 DIA X 3.2 CHUTE
6	749-3072	1	TUBE:SUP:CRANK	22	715-0138	1	PIN:ROLL:1/8 OD .63
7	747-0931	1	ROD:CRK:CHUT .380 DIA X 28.0LG	23	715-0129	1	SPIROL PIN - 1/8 DIA X .812 LN
8	747-0481A	1	EYE BOLT 5/16-18 X 3.0 LG	24	714-0507	1	PIN:COT:3/32 X .750
9	746-0903	1	CBL:CHUTE-W/CULP, 66 LG	25	712-0429	1	NUT:HX:5/16-18:GRC:LOCK
10	746-0902	1	CBL:CHUTE:66 LG	26	712-0267	2	NUT:5/16-18:GRA:HX
11	741-0475	3	PLASTIC BUSHING .380 ID	27	712-0158	2	NUT:LOCK:5/16-18:GEN
12	736-0242	2	WASH:BELVL:.340 ID X .872 OD	28	710-0896	1	SCR:1/4-14:.625:HXINDWSH
13	736-0231	1	WASH:FL:.344ID:1.125 OD:.12	29	710-0458	1	CARRIAGE BOLT 5/16-18 X 1.75
14	736-0140	1	FL-WASH .385 ID X .62 OD X .06	30	710-0276	1	SCR:CARR:5/16-18:1.00
15	731-1319	1	SPCR:CHUT:PIVOT	31	603-0302	1	ASM:CHUTE TILT BRKT
16	731-1318	1	CHUT:LWR:EXTENDED 6" DIA				