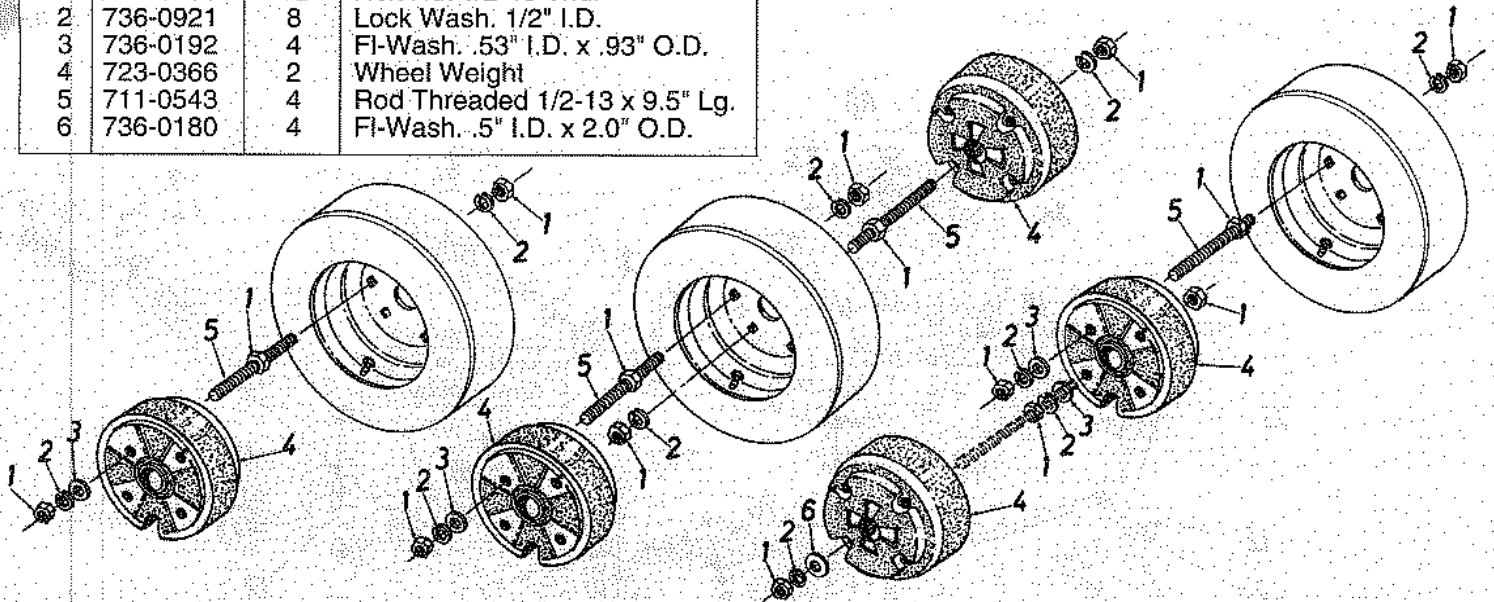


PARTS LIST FOR 50 LB. WHEEL WEIGHTS

REF. NO.	PART NO.	QTY.	DESCRIPTION
1	712-0206	12	Hex Nut 1/2-13 Thd.
2	736-0921	8	Lock Wash. 1/2" I.D.
3	736-0192	4	FI-Wash. .53" I.D. x .93" O.D.
4	723-0366	2	Wheel Weight
5	711-0543	4	Rod Threaded 1/2-13 x 9.5" Lg.
6	736-0180	4	FI-Wash. .5" I.D. x 2.0" O.D.

**Model Number
190-784-000**



PARTS LIST FOR SLEEVE HITCH MODEL 190-929-000

REF. NO.	PART NO.	CODE	DESCRIPTION
1	13914		Hitch Bar Ass'y.
2	714-0101		Internal Cotter Pin 1/2" Dia.
3	736-0100		FI-Wash. 1/2" I.D.
4	710-0493		Hex Bolt 1/2-13 x 1.0" Lg.*
5	736-0921		L-Wash. 1/2" I.D.*
6	13269		Hitch Brkt. Ass'y.
7	714-0117		Internal Cotter Pin 5/8" Dia.
8	711-0282		Hitch Pin
9	710-0182		Hex Bolt 1/2-13 x 3.0" Lg.*
10	711-0700		Adjustment Ferrule
11	13916		Link Rod Ass'y.
12	714-0101		Internal Cotter Pin 1/2" Dia.†
13	738-0482		Hitch Rod†

**Model Number
190-929-000**

† Not part of sleeve hitch—
already on tractor.

