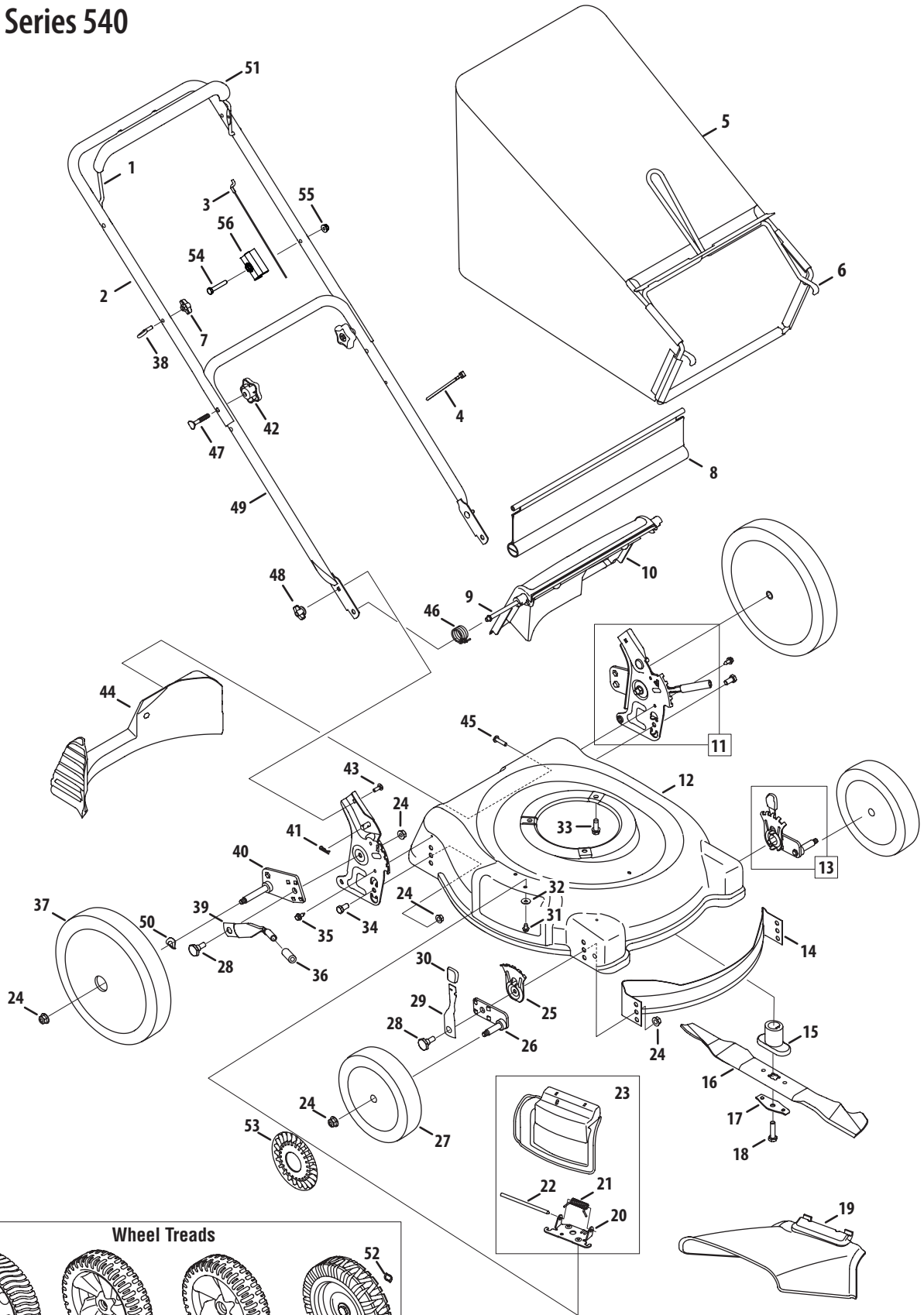


# Model Series 540



**Wheel Treads**

S-Wave    Pin Bar    Bar    Zag

52

Ref No.	Part Number	Description	Ref No.	Part Number	Description
1.	747-1161A-0637	Blade Control		734-1988	Front Wheel, 7 x 1.8, Bar, Gray
2.	749-1092A-0637	Upper Handle		734-2005B	Front Wheel, 8 x 2.125, Zag, Black
3.	946-0957	Control Cable, 37.25"		734-2004B	Front Wheel, 8 x 2.125, Zag, Black
	946-1130	Control Cable, 40"		734-04087	Front Wheel, 8 x 1.8, Pin Bar, Black
	746-04104	Control Cable, 40", Kawasaki		734-04014C	Front Wheel, 8 x 2.125, S-Wave
	746-04299	Control Cable, 40", Kohler	28.	738-04266	Shoulder Scr., .5D x .385
4.	926-0240	Cable Tie	29.	94832	Front Spring Lever
5.	964-04007A	Grass Bag	30.	720-0426	Height Adjust Knob
	964-04128	Grass Bag - Yardman	31.	710-0599	TT Screw, 1/4-20 x .500
	964-04011	Grass Bag - Troy-Bilt	32.	736-0270	Bell Washer
6.	747-04080A-0637	Grass Bag Frame	33.	710-0654A	TT Screw, 3/8-16 x 1.0
7.	720-0279	Handle Knob	34.	710-0216	Hex Screw, 3/8-16 x .75
8.	731-05642A	Trail Shield	35.	710-1652	TT Screw, 1/4-20 x .625
9.	747-04588	Pivot Rod	36.	720-0312	Foam Grip
10.	731-06847	Rear Discharge Door	37.	734-04082	Rear Wheel, 12 x 1.8, Bar, Gray
11.	987-02280A	Rear Handle Bracket Assy. - LH		734-04093	Rear Wheel, 12 x 2.125, Zag, Gray
	987-02279A	Rear Handle Bracket Assy. - RH		734-04046	Rear Wheel, 12 x 2.125, Zag, Yellow
12.	787-01279	Deck 21-inch		734-04089	Rear Wheel, 12 x 1.8, Bar, Yellow
13.	987-02511	Front Hgt. Adj. Assy., 8" Whl. - LH		734-04127	Rear Wheel, 12 x 2.125, S-Wave
	987-02510	Front Hgt. Adj. Assy., 8" Whl. - RH	38.	710-1205	Eye Bolt
	987-02099C	Front Hgt. Adj. Assy., 7" Whl. - LH	39.	732-0866	Rear Hi-Wheel Spring Lever
	987-02100C	Front Hgt. Adj. Assy., 7" Whl. - RH	40.	987-02335	Rear Pivot Arm Assy - RH
14.	782-5002B	Front Baffle		987-02336	Rear Pivot Arm Assy - LH
15.	748-0377E	Blade Adapter, #6 x 2.15 w/star	41.	914-0104	Hairpin Clip
	748-04082	Blade Adapter, 25mm x 2.15 w/star	42.	720-04072A	Star Knob
16.	942-0741A	21-inch Mulching Blade	43.	710-0703	Carriage Bolt ,1/4-20 x .75
17.	736-0524B	Bell Blade Support	44.	731-04150C	Rear Baffle
18.	710-1257	Hex Screw, 3/8-24 x 2.5	45.	710-1241	Screw HL, 1/4-15 x 1.00
19.	731-04177	Side Discharge Chute	46.	732-04090A	Torsion Spring - RH
20.	17032A	Deflector Chute Adaptor	47.	710-1174	Carriage Bolt, 5/16-18 x 2
21.	732-1014	Torsion Spring	48.	912-0397	Wing Nut
22.	747-0710	Hinge Pin	49.	749-0928A-0637	Lower Handle
23.	987-02055	Mulch Plug Assembly	50.	736-0182†	Spring Washer
24.	712-04065	Flange Lock Nut 3/8-16	51.	731-2626†	Deluxe Bail Cover - Black
25.	787-01290A	Height Adjustment Plate		731-04859†	Deluxe Bail Cover - Gray
26.	987-02509	Pivot Arm Assy LH (7" wheel)	52.	936-0504†	Wave Washer, .510 x .750 x .017
	987-02508	Pivot Arm Assy RH (7" wheel)	53.	731-07001†	Hub Cap
	987-02509	Pivot Arm Assy RH (8" wheel)	54.	710-0606†	Screw, 1/4-20 x 1.50
	987-02508	Pivot Arm Assy LH (8" wheel)	55.	712-04064†	Nut, FlgIk, 1/4-20
27.	734-1987	Front Wheel, 8 x 1.8, Bar, Gray	56.	731-06749†	Cable Mount

† If Equipped