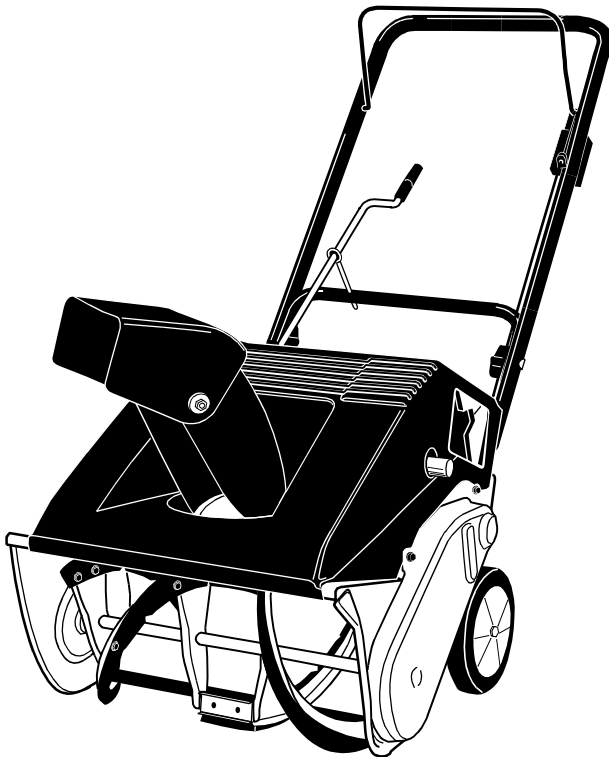




# Operator's Manual



## Single Stage Snow Thrower

Model Series  
140 through E173



**IMPORTANT:** Read safety rules and instructions carefully before operating equipment

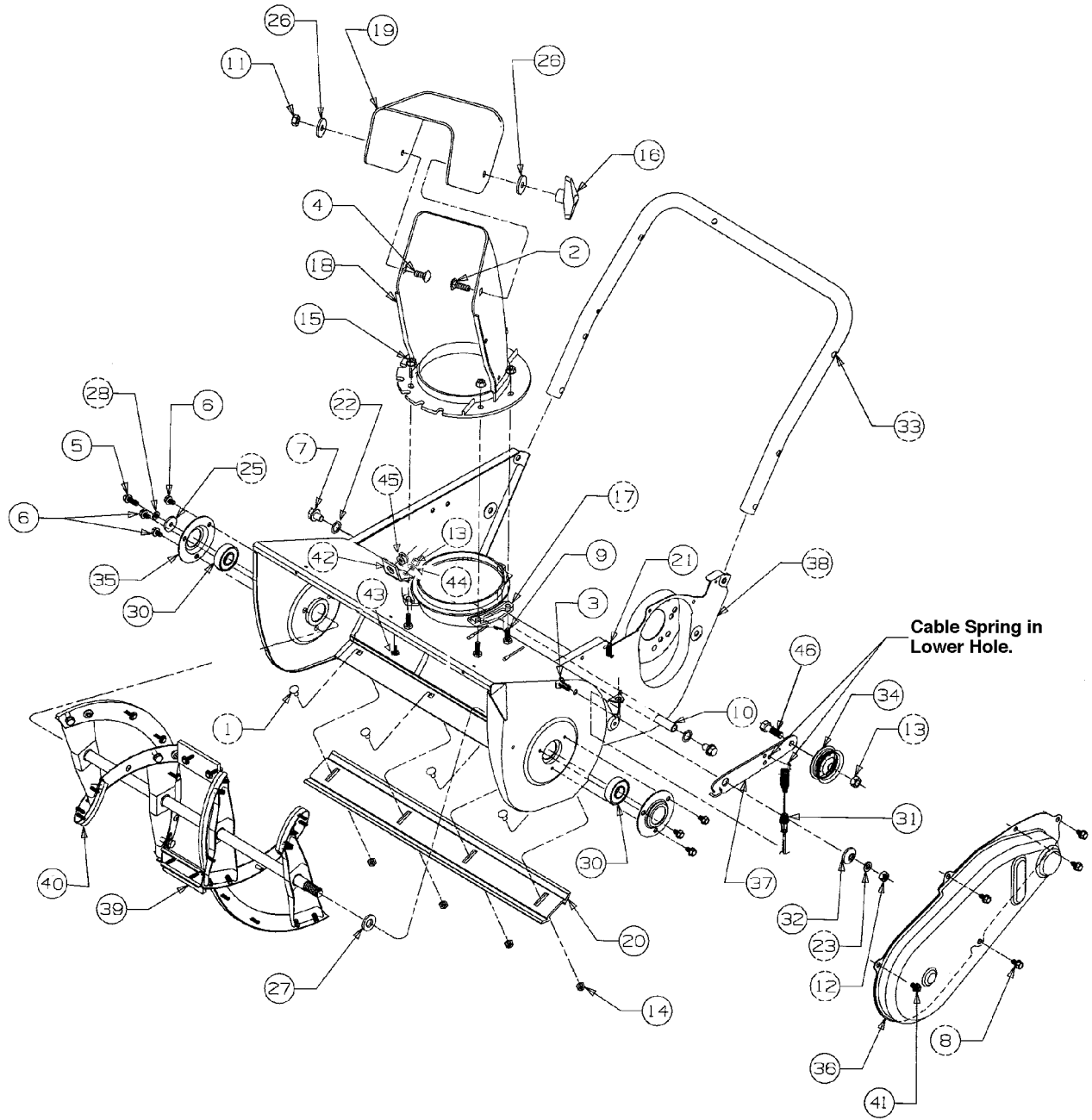
**Warning:** This unit is equipped with an internal combustion engine and should not be used on or near any unimproved forest-covered, brush-covered or grass-covered land unless the engine's exhaust system is equipped with a spark arrester meeting applicable local or state laws (if any). If a spark arrester is used, it should be maintained in effective working order by the operator. In the State of California the above is required by law (Section 4442 of the California Public Resources Code). Other states may have similar laws. Federal laws apply on federal lands. A spark arrester for the muffler is available through your nearest engine authorized service dealer or contact the service department, P.O. Box 368022 Cleveland, Ohio 44136-9722.

**MTD PRODUCTS INC. P.O. BOX 368022 CLEVELAND, OHIO 44136-9722**

PRINTED IN U.S.A.

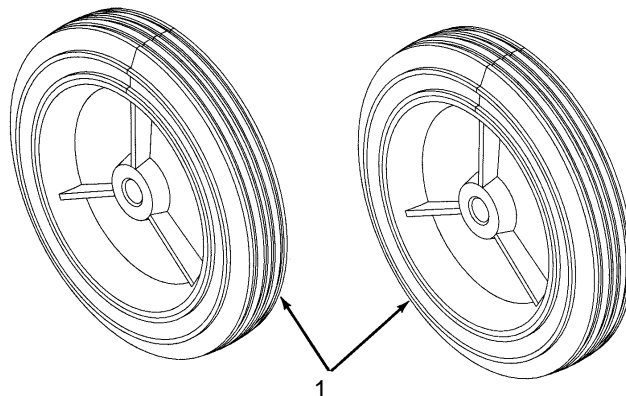
FORM NO. 770-10000A  
(4/99)

# SECTION 10: PARTS LIST FOR MODELS 140 THROUGH E173



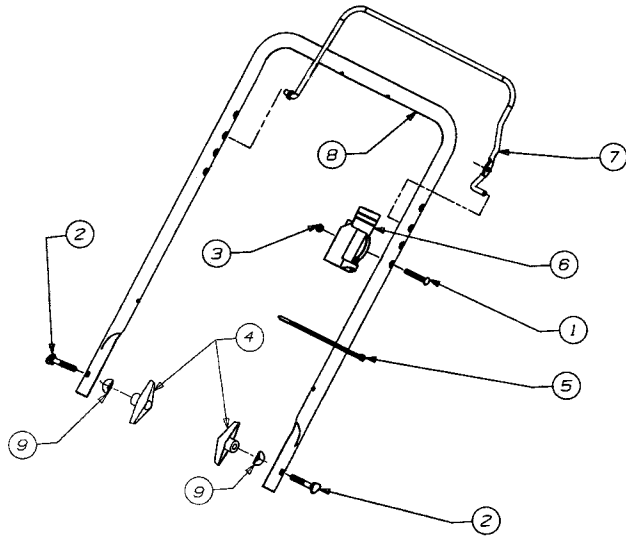
# Models 140 through E173

Ref. No.	Part No.	Part Description	Ref. No.	Part No.	Part Description
1.	710-0167	Carriage Bolt	25.	736-0176	Flat Washer
2.	710-0276	Carriage Bolt	26.	736-0159	Washer
3.	710-0323	Pan Head Screw	27.	736-0326	Flat Washer
4.	710-0451	Carriage Bolt	28.	736-0329	Lock Washer
5.	710-0642	Hex Washer Screw	30.	741-0600	Ball Bearing
6.	710-1005	Hex Washer Screw	31.	746-0910A	Cable—Clutch
7.	710-0773	Hex Washer Screw	32.	748-0234	Spacer
8.	710-0896	Hex Washer Screw	33.	749-0796	Handle—Lower
9.	710-3015	Hex Cap Screw	34.	756-0313	Flat Idler
10.	711-0848A	Axle	35.	784-5174	Bearing Cup
11.	712-0429	Hex Center Lock Nut	36.	784-5176	Cover—Belt
12.	712-3010	Hex Nut	37.	784-5175B	Idler/Brake Bracket
13.	712-0116	Hex Lock Nut	38.	684-0114	Blower Housing
15.	712-3027	Hex Lock Flanged Nut	39.	784-5485	Auger Ass'y. Comp.
16.	720-0284	Knob	40.	753-0613	Auger Rubber Replacement
17.	731-0851A	Chute Keeper	41.	710-0352	Hex Washer Screw
18.	731-0915B	Lower Chute	42.	784-5720	Crank Bracket
19.	731-0921	Upper Chute	43.	710-0451	Cap Screw
20.	731-1033	Shave Plate	44.	736-0242	Bell Washer
21.	732-0357A	Extension Spring	45.	741-0475	Bushing
22.	736-0108	Flat Washer	46.	710-0191	Hex Screw
23.	736-0119	Lock Washer			



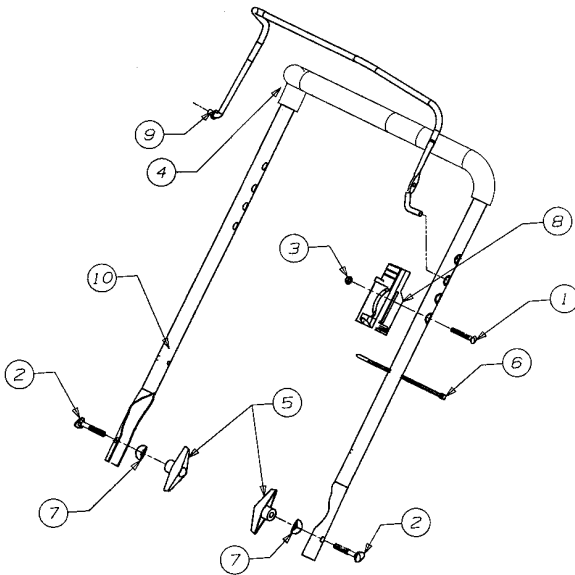
REF. NO.	PART NO.	DESCRIPTION	QTY.
1	734-1176	Wheel Ass'y.	2

## Models 140, 150, E150 and E151



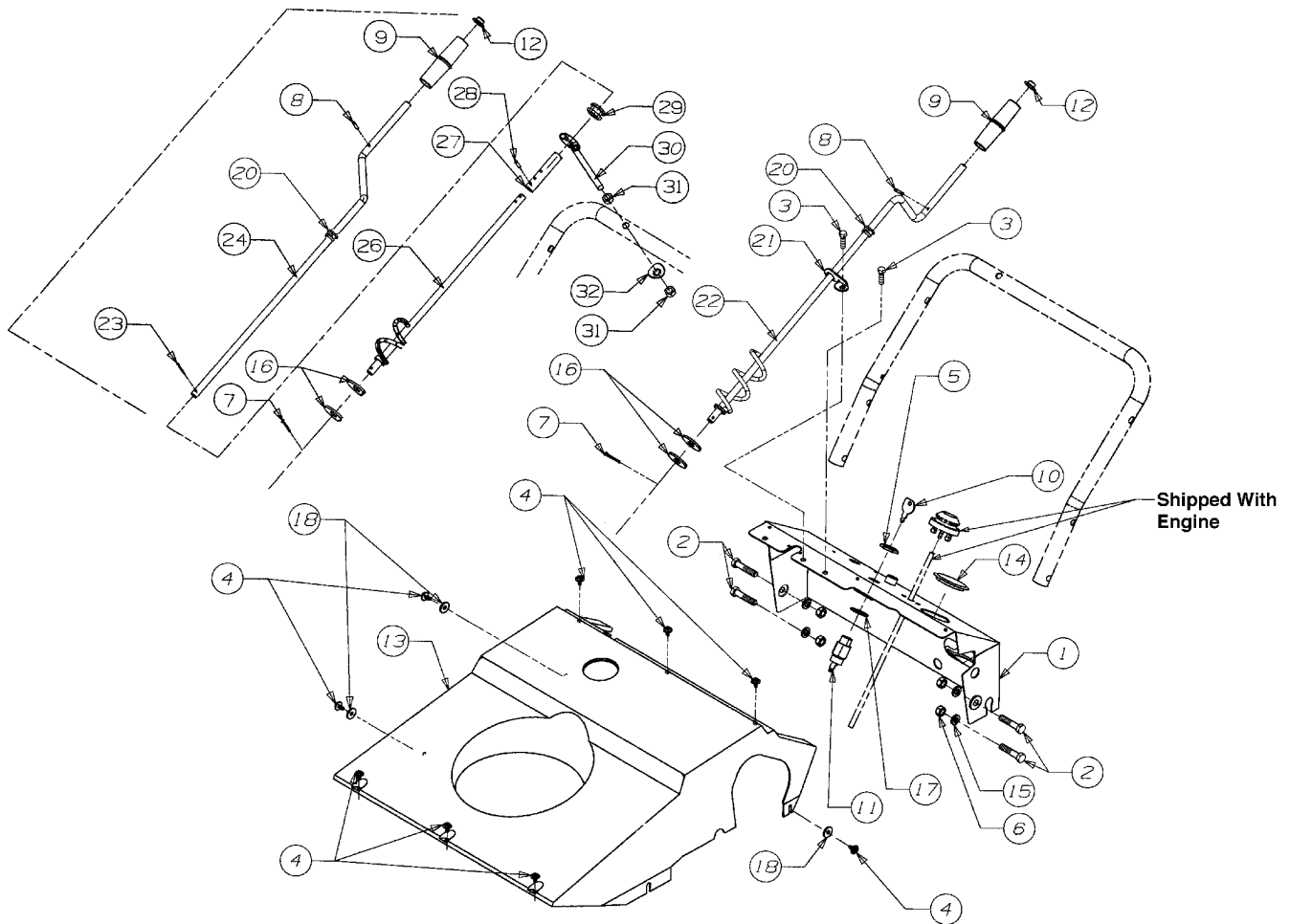
Ref. No.	Part No.	Part Description
1.	710-1270	Oval C-Sink L Screw
2.	710-0487	Bolt Carriage
3.	712-0324	Nut Insl. Lock
4.	720-0284	Knob—Handle
5.	725-0157	Tie Cable
6.	746-0883	Control Lever Body
7.	747-0946	Handle Ass'y. Control
8.	749-0705	Handle—Upper
9.	736-0451	Saddle Washer

## Models 142, E152, E172 and E173



Ref. No.	Part No.	Part Description
1.	710-1270	Oval C-Sink L Screw
2.	710-0487	Carriage Bolt
3.	712-0324	Insl. Lock Nut
4.	720-0295	Grip, Foam
5.	720-0284	Knob, Handle
6.	725-0157	Tie, Cable
7.	736-0451	Washer, Saddle
8.	746-0883	Body—Lever Control
9.	747-0956	Handle Ass'y. Control
10.	749-0711A	Handle—Upper

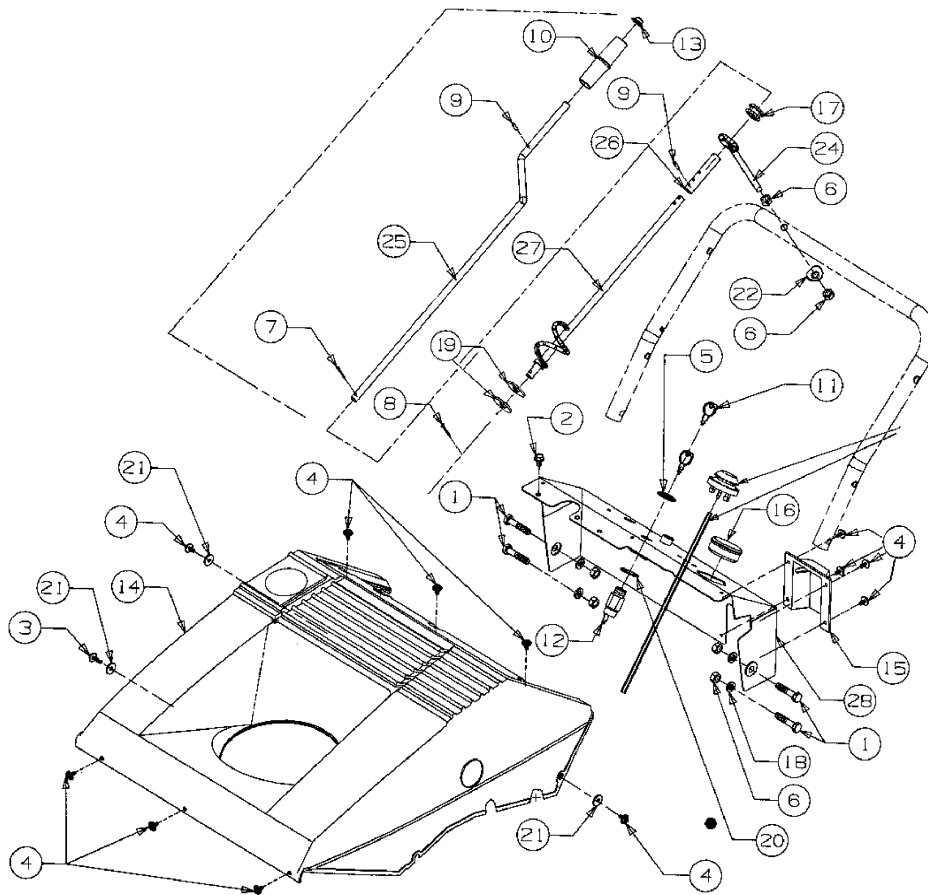
# Models 140 and E142



Ref. No.	Part No.	Part Description	Ref. No.	Part No.	Part Description
1.	684-0056	Dash—21"	16.	736-0185	Flat Washer
2.	710-1090	Hex Flange Screw	17.	736-0225	Internal Lock Washer
3.	710-0895	Hex Tap Screw	18.	736-0400	Flat Washer
4.	710-1268	Hex Tap Screw	20.	741-0475	Bushing
5.	712-0252	Hex Nut	21.	784-5178A	Bracket, Chute Crank
6.	712-3010	Hex Nut	22.	784-5344	Crank Assembly, Chute
7.	714-0104	Cotter Pin	23.	714-0111	Cotter Pin †
9.	720-0201A	Chute Crank Knob	24.	747-0737	Chute Crank—Upper †
10.	725-0201	Key—Ignition	26.	684-0126	Chute Crank—Lower †
11.	725-1425	Switch—Key	27.	750-0785	Spacer †
12.	726-0100	Nut Push	29.	735-0234	Grommet - Rubber †
13.	731-0702	Shroud	30.	747-0697	Eyebolt - Chute Crank †
14.	731-1133B	Plug	31.	712-3010	Nut - Hex †
15.	736-0119	Lock Washer	32.	736-0451	Washer - Saddle †

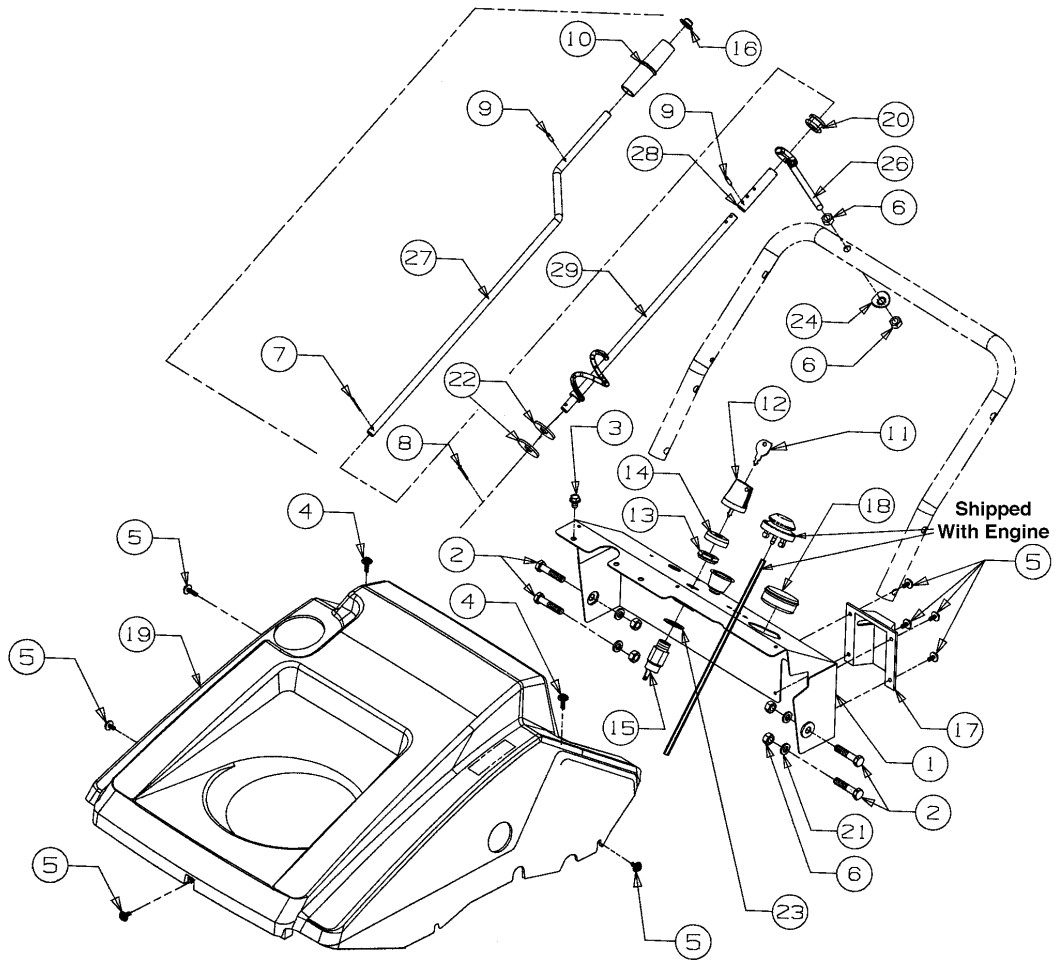
† Optional chute crank assembly on Model 140 only

# Models 150, E150 and E173



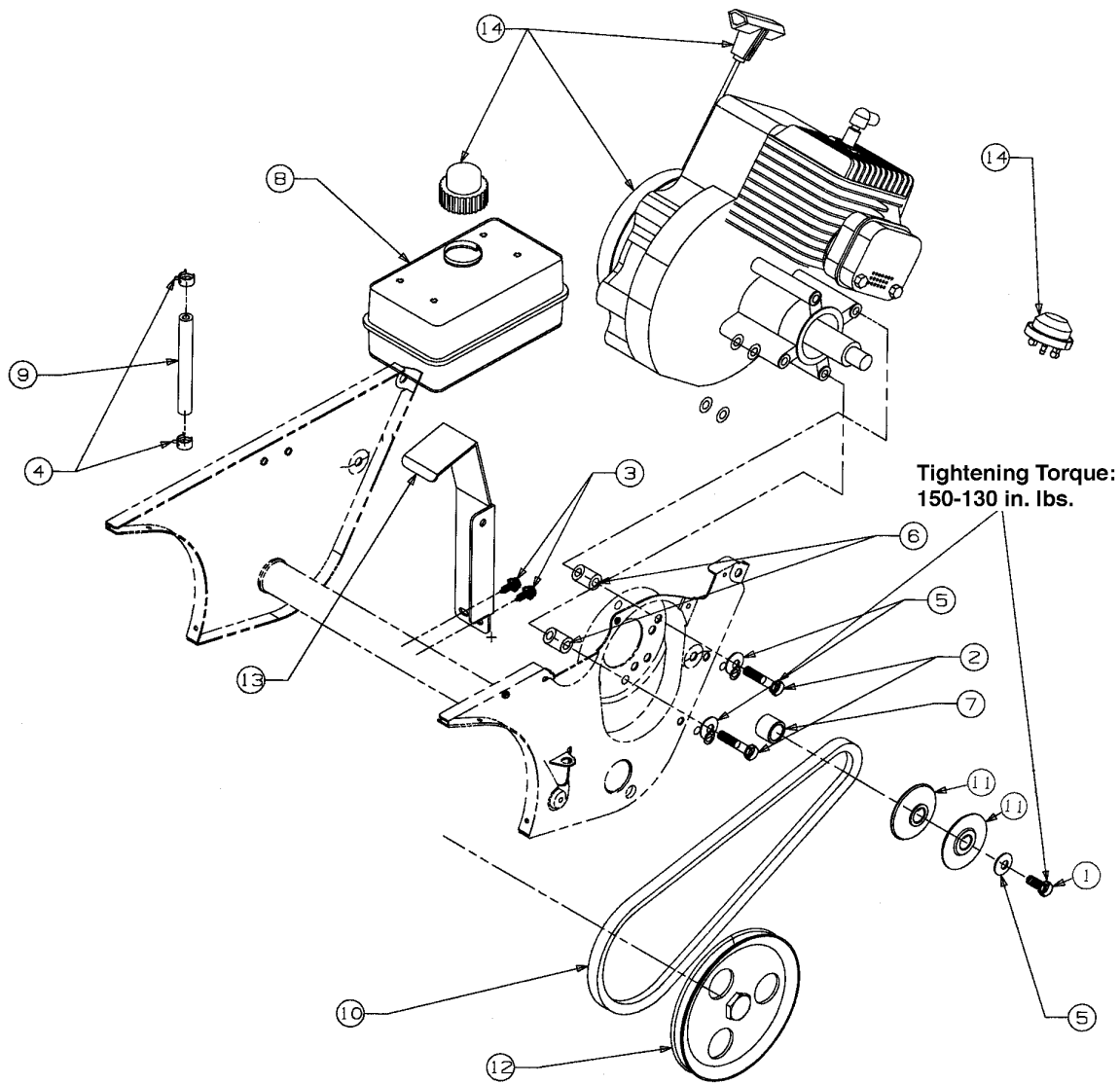
Ref. No.	Part No.	Part Description	Ref. No.	Part No.	Part Description
1.	710-0805	Hex Screw	15.	731-1089A	Cover—Choke
2.	710-1005	Hex Washer Screw	16.	731-1133B	Plug—Insert
3.	710-1003	Hex Screw	17.	735-0234	Grommet—Rubber
4.	710-1268	Hex Screw	18.	736-0119	Lock Washer
5.	712-0252	Jam Nut	19.	736-0185	Flat Washer
6.	712-3010	Hex Nut	20.	736-0225	Internal Lock Washer
7.	714-0104	Hairpin Clip	21.	736-0400	Flat Washer
8.	714-0507	Cotter Pin	22.	736-0451	Saddle Washer
10.	720-0201A	Knob	24.	747-0697	Eyebolt, Chute Crank
11.	725-0201	Key—Ignition	25.	747-0737	Chute Crank—Lower
12.	725-1425	Switch	26.	750-0785	Spacer
13.	726-0100	Cap—Push	27.	684-0126	Chute Crank—Upper
14.	731-1087	Shroud—Black	28.	784-5572	Dash

# Models E151 and E172



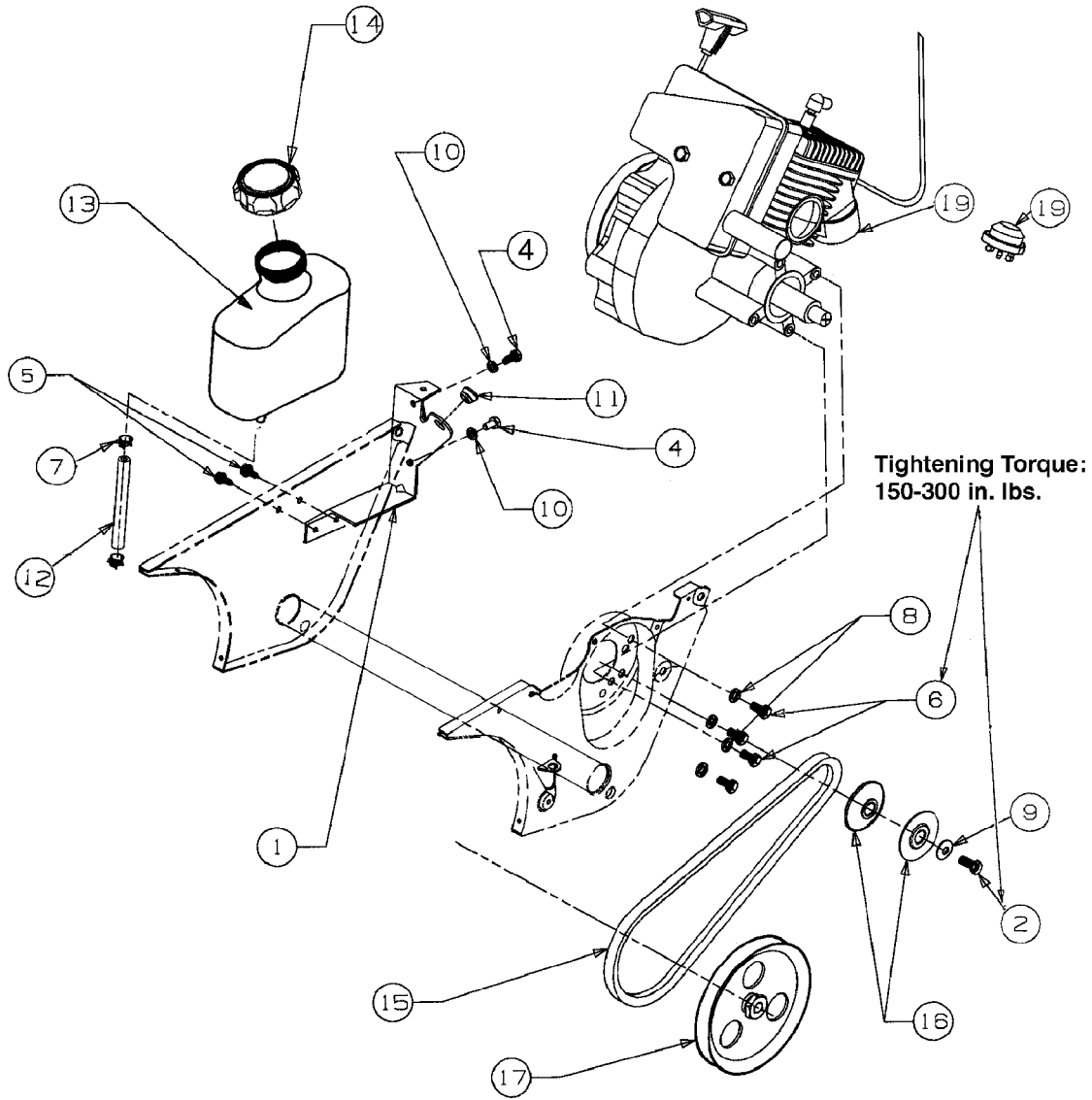
Ref. No.	Part No.	Part Description	Ref. No.	Part No.	Part Description
1.	784-5572	Dash	15.	725-1425	Switch—Key
2.	710-0805	Hex Cap Screw	16.	726-0100	Push Cap
3.	710-1005	Hex Washer Screw	17.	731-1089A	Choke Cover
4.	710-1003	Hex Screw	18.	731-1133B	Plug—Insert
5.	710-1268	Hex Screw	19.	731-1765	Shroud, Black
6.	712-3010	Hex Nut	20.	735-0234	Grommet, Rubber
7.	714-0104	Hairpin Clip	21.	736-0119	Lock Washer
8.	714-0507	Cotter Pin	23.	736-0225	Internal Lock Washer
10.	720-0201A	Knob	24.	736-0451	Saddle Washer
11.	725-0201	Ignition Key	26.	747-0697	Eyebolt, Chute Crank
12.	725-1341B	Ignition Key with Logo	27.	747-0737	Chute Crank, Upper
13.	725-1346	Nut, Ignition Switch	28.	750-0785	Spacer
14.	725-1347	Cover, Ignition Switch	29.	684-0126	Chute Crank, Lower

# Models 140 and E142



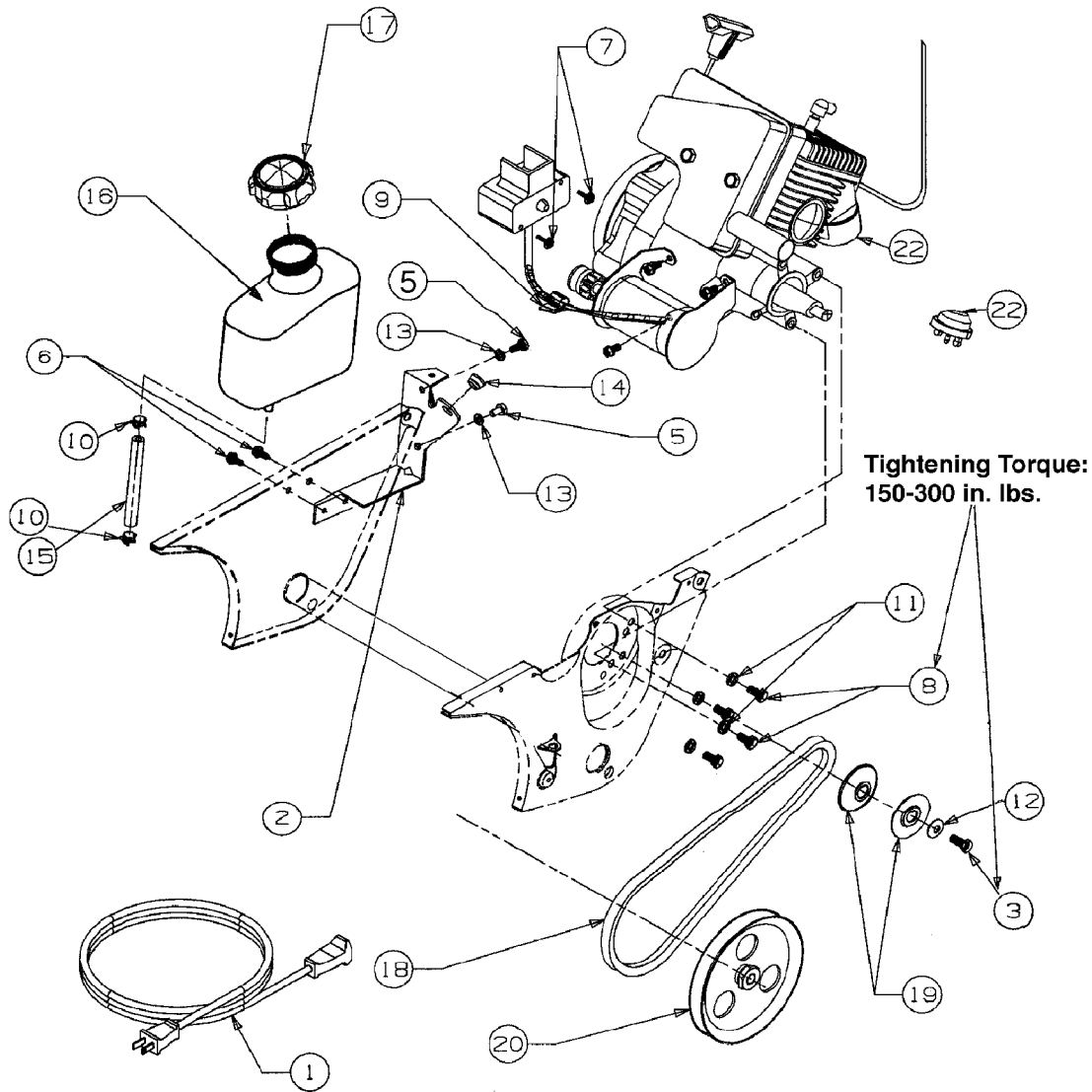
Ref. No.	Part No.	Part Description	Ref. No.	Part No.	Part Description
1.	710-0157	Hex Cap Screw	9.	751-0535-12	Hose, Fuel — 12"
2.	710-0805	Hex Cap Screw	10.	754-0367	V-Belt
3.	710-0896	Washer Screw	11.	756-0416B	V-Pulley Half
4.	726-0205	Hose Clamp	12.	756-0550	Pulley
5.	736-0242	Bell Washer	13.	784-5177	Engine Support Bracket
6.	750-0589	Spacer	14.	—	Obtain from engine manufacturer
7.	750-0716	Spacer	N/I	OEM-390-697	Electric Start Kit (Optional)
8.	751-0352	Fuel Tank			

# Model 150



Ref. No.	Part No.	Part Description	Ref. No.	Part No.	Part Description
1.	705-5139	Support Bracket, Gas Tank	12.	751-0535-16	Hose, Fuel Line—16"
2.	710-0157	Hex Cap Screw	13.	751-0540A	Fuel Tank—2 qt.
4.	710-0289	Hex Screw	14.	751-0800	Fuel Cap
5.	710-0896	Washer Screw	15.	754-0101A	V-Belt
6.	710-3025	Hex Cap Screw	16.	756-0416B	V-Pulley Half
7.	726-0205	Hose Clamp	17.	756-0475	Pulley
8.	736-0119	Lock Washer	19.	—	Obtain from engine manufacturer
9.	736-0242	Bell Washer	N/I	OEM-390-697	Electric Start Kit (Optional)
10.	736-0329	Lock Washer			
11.	741-0475	Plastic Bushing			

# Models E150, E151, E152, E172, E173



Ref. No.	Part No.	Part Description	Ref. No.	Part No.	Part Description
1.	629-0236	Extension Cord	13.	736-0329	Lock Washer
2.	705-5139	Support Bracket, Fuel Tank	14.	741-0475	Plastic Bushing
3.	710-0157	Hex Cap Screw	15.	751-0535-16	Hose, Fuel Line—16"
5.	710-0289	Hex Screw	16.	751-0540A	Fuel Tank—2 qt.
6.	710-0896	Washer Screw	17.	751-0800	Fuel Tank Cap
7.	710-1003	Hex Screw	18.	754-0101A	V-Belt
8.	710-3025	Hex Cap Screw	19.	756-0416B	V-Pulley Half
9.	726-0152	Mounting Clamp	20.	756-0475	Pulley
10.	726-0205	Hose Clamp	22.	—	Obtain from engine manufacturer
11.	736-0119	Lock Washer			
12.	736-0242	Bell Washer			