

Operator's Manual

Mulch Kit

Model 190-118-000 / OEM-190-118

**For Lawn Tractors & Garden Tractors
with a 46-inch Deck**

MTD LLC, P.O. BOX 361131 CLEVELAND, OHIO 44136-9722

PRINTED IN U.S.A.

FORM NO. 770-10259A
(6/2002)

SECTION 1: TO THE OWNER

The Model 118 mulch kit is designed for use with 46-inch cutting decks on Lawn Tractors and Garden Tractors manufactured after 1996 ONLY. It will NOT fit on tractors with decks made in 1996 or prior. If you should own such a tractor and would like to convert the deck to a mulcher, purchase kit 190-117-000. If you are unsure of the manufacturing date of your tractor, contact the Customer Support department at 1(800) 800-7310. Have your model number and serial number (located on the underside of the tractor seat) ready for prompt service.

NOTE: References to LEFT and RIGHT indicate the left and right sides of the tractor when facing forward in the operator's position. Reference to the FRONT indicates the grille end; to the REAR the drawbar end.

SECTION 2: CONTENTS OF CARTON

Before beginning installation, remove all parts from the carton to make sure everything is present. Carton contents are listed below. Part numbers are shown in parentheses.

One Mulch Plug (731-1636)	One Plastic Wing Nut, 1/4" (712-3087)
Two 16.28" Mulching Blades (742-0611)	One Hex Nut, 1/4" (712-3006)
One 14.88" Mulching Blade (742-0612)	One Flat Washer (736-0173)
One Machine Screw, 1/4" (710-0578)	

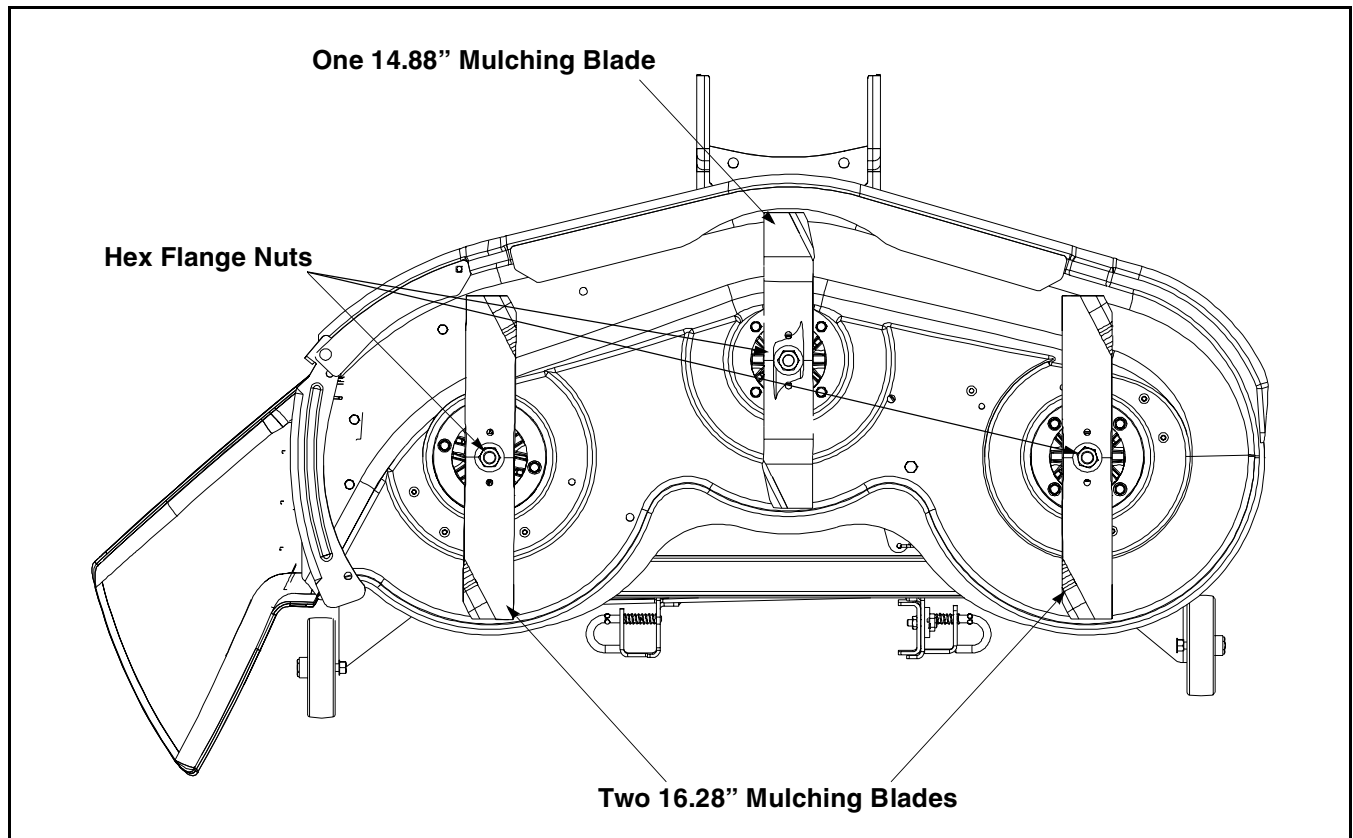


Figure 1

SECTION 3: INSTALLATION



WARNING: Before beginning installation, place the tractor on a firm and level surface. Place the PTO in the disengaged (OFF) position, stop the tractor engine and set the parking brake.



WARNING: Cutting blades are sharp. Always protect hands by wearing heavy leather work gloves to grasp blades.

Mounting The Mulching Blades

1. Remove the cutting deck from beneath the tractor as instructed in your tractor's Operator's Manual, then gently flip the deck over to expose its underside,
2. Place a block of wood between the deck housing baffle and the cutting blade to act as a stabilizer, then use a 15/16" wrench to remove the hex flange nut that secures each blade to its spindle assembly. Refer to Figure 1. Your tractor's deck style may differ slightly from the one pictured in Figure 1.

IMPORTANT: The hex flange nuts have a right-handed (normal) thread pattern. Do NOT attempt to force the nuts in the incorrect direction. Doing so may damage the nut.

3. Replace the blades with the mulching blades included in the kit. Be sure to install each blade with the side marked "Bottom" (or with a part number stamped in it) facing the ground when the mower is in the operating position. Be certain to mount the **SHORT BLADE** to the **CENTER SPINDLE**. Refer to Figure 1.

IMPORTANT: Use a torque wrench to tighten each blade spindle hex flange nut to between 70 foot-pounds and 90 foot-pounds.

Inserting The Mulch Plug

4. Insert the machine screw up through the mulch plug and fasten it in place with the hex nut and flat washer. See Figure 2.
5. Pivot the discharge chute upward as shown in Figure 2 and carefully insert the mulch plug into the discharge chute opening.

NOTE: It is NOT necessary to remove the discharge chute to operate the mower with the mulch kit installed. It is also unnecessary to change the mower blades should you choose to operate the mower without the mulch plug installed.

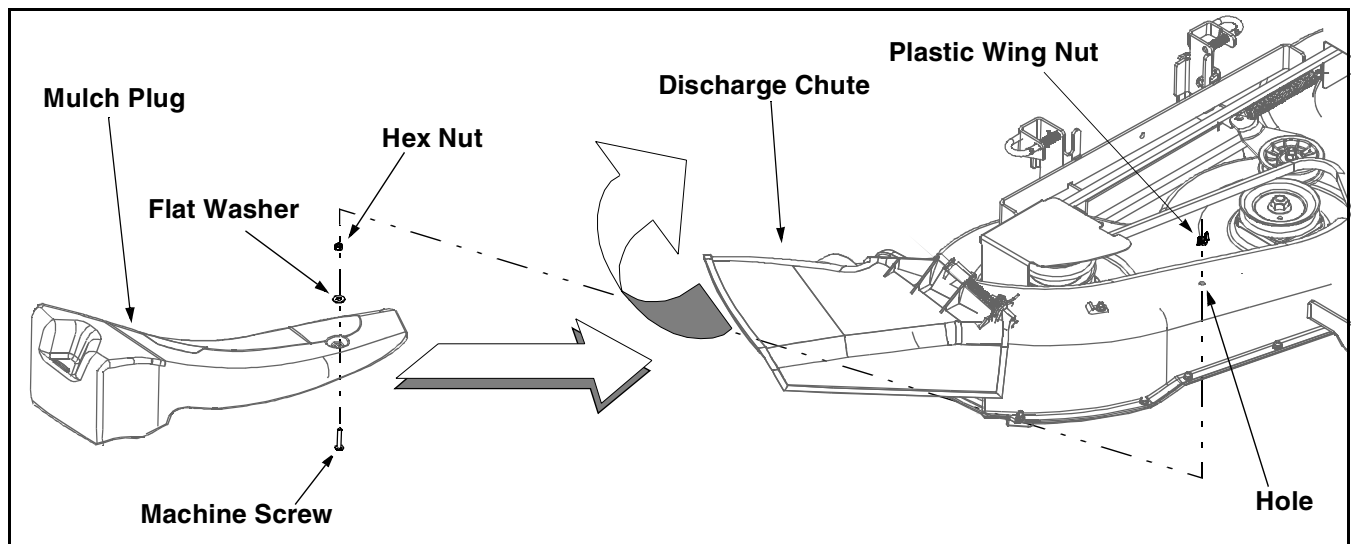


Figure 2

6. Make sure the mulch plug is firmly attached to the cutting deck by aligning the machine screw in the mulch plug with the hole in the deck surface
7. Secure the mulch plug to the cutting deck by threading the plastic wing nut snugly onto the machine screw.

SECTION 4: OPERATION

This mulch kit incorporates special blades in a process of recirculating grass clippings repeatedly beneath the cutting deck. After which, the ultra-fine clippings are forced back into the lawn where they act as a natural fertilizer. Observe the following recommendations for the best results when mulching.

- Clear the lawn of all debris prior to mowing. Running over sticks, rocks, children's toys, etc. can damage the mulching blades and make them less effective. Such objects can also be thrown by the mower and cause serious personal injury or damage to surrounding property, even with the mulch plug in place.
- Never attempt to mulch if the lawn is damp. Wet grass tends to stick to the underside of the cutting deck preventing proper mulching of the clippings.
- Do NOT attempt to mulch more than 1/3 the total height of the grass or approximately 1-1/2 inches. Doing so will cause the clippings to clump up beneath the deck and not be mulched effectively.



WARNING: Do NOT under any circumstances attempt to mow through grass which exceeds ten inches in height. Debris may build up on the mowing deck and come into contact with belts and other moving parts or the engine's exhaust system presenting a potential fire hazard.

- Maintain a slow ground speed to allow the grass clippings more time to effectively be mulched.
- To allow the blades to mulch properly, ALWAYS keep the engine at full throttle.