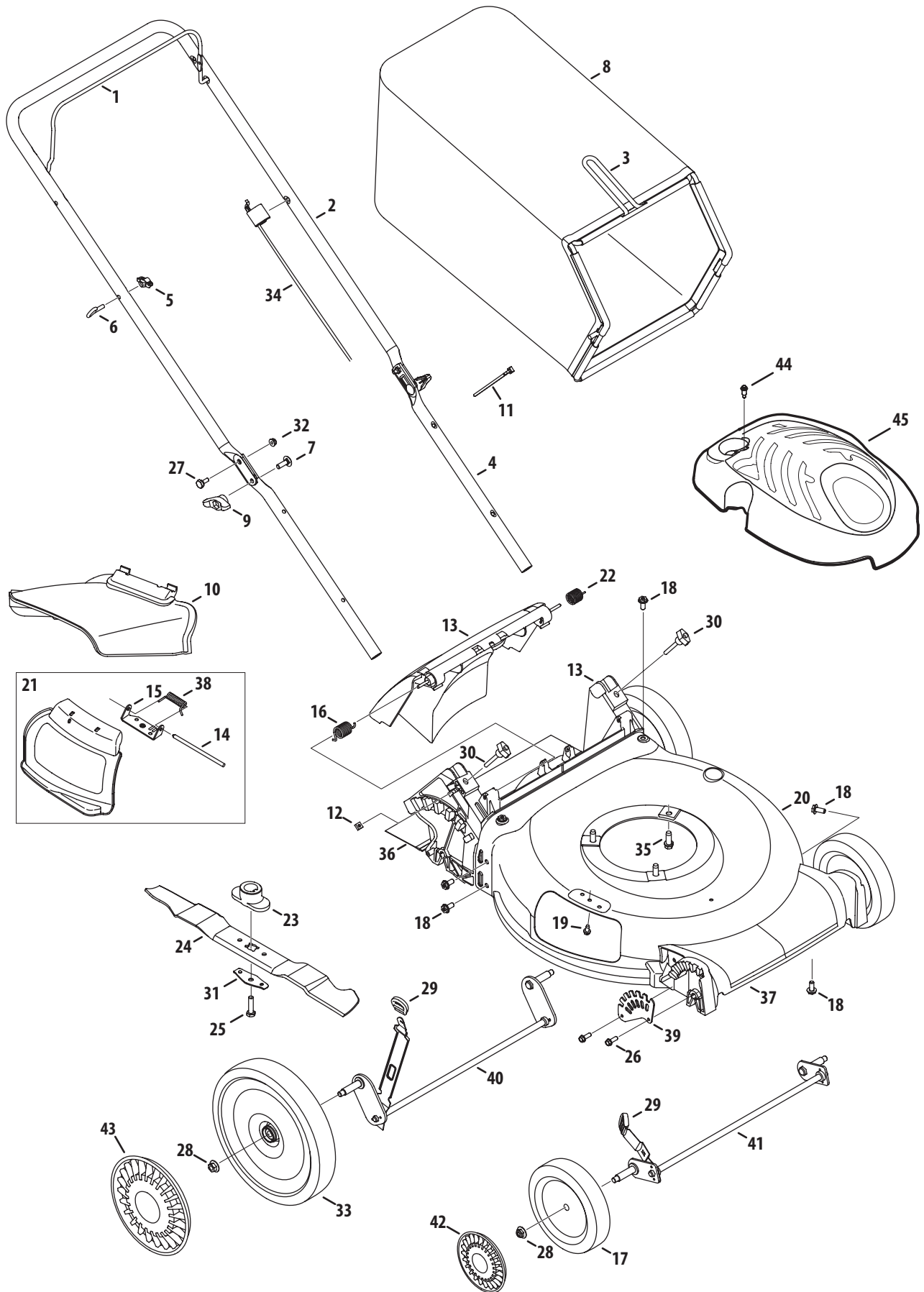


# Model Series B2X



| Ref No. | Part Number | Description                      |
|---------|-------------|----------------------------------|
| 1       | 747-05184   | Blade Control, Standard          |
|         | 747-05204   | Blade Control, Ergo              |
| 2       | 749-04681   | Upper Handle, Adjustable         |
|         | 749-04680   | Upper Handle, Non-Adjustable     |
|         | 749-04682   | Upper Handle, Ergo               |
| 3       | 747-05226   | Grass Catcher Frame              |
| 4       | 749-04608A  | Lower Handle                     |
| 5       | 720-0279    | Wing Nut                         |
| 6       | 710-1205    | Rope Guide                       |
| 7       | 710-04998   | Carriage Screw ,5/16-18          |
| 8       | 764-04077A  | Grass Bag                        |
|         | 964-04116A  | Grass Bag, Yardman               |
| 9       | 720-04124   | Wing Knob, Red                   |
|         | 720-04122   | Wing Knob, Black                 |
| 10      | 731-07486   | Side Chute                       |
| 11      | 725-0157    | Cable Tie                        |
| 12      | 712-04222   | Nut, Sq., 1/4-20                 |
| 13      | 631-04369   | Rear Discharge Door Assembly     |
|         | 631-04567   | Door Assembly, International     |
| 14      | 747-0710A   | Hinge Pin                        |
| 15      | 787-01779   | Chute Deflector Bracket          |
| 16      | 732-04673   | Torsion Spring - RH              |
| 17      | 634-04642   | Front Wheel Black                |
|         | 734-04562   | Font Wheel Gray                  |
| 18      | 710-04995   | Screw, 5/16-14 x .750            |
| 19      | 710-05073   | Screw, 1/4-20 x .500             |
| 20      | 787-01869   | Deck , 21"                       |
| 21      | 987-02516   | Hinged Mulch Plug Assembly       |
|         | 987-02584   | Mulch Plug Ass'y, International  |
| 22      | 732-04674   | Torsion Spring - LH              |
| 23      | 748-04096   | Blade Adapter, 25mm x 1.19       |
|         | 748-0376E   | Blade Adapter, #6 x 1.19 w/ Star |
| 24      | 942-0741A   | Mulching Blade                   |

| Ref No. | Part Number | Description                       |
|---------|-------------|-----------------------------------|
| 25      | 710-1044    | Screw , 3/8-24 x 1.50             |
| 26      | 710-0895    | Screw, 1/4-15 x .750              |
| 27      | 738-04419A  | Sldr. Screw, .375 x .126 x 1/4-20 |
| 28      | 712-04217   | Flange Lock Nut, 3/8-16           |
| 29      | 720-04130   | Adjustment Lever Knob             |
| 30      | 720-04127   | Wing Nut, Red                     |
|         | 720-04123   | Wing Nut, Black                   |
| 31      | 736-0524B   | Blade Bell Support                |
| 32      | 712-04064   | Nut, Flange Lock, 1/4-20          |
| 33      | 634-04630   | Rear Wheel Black                  |
|         | 634-04625   | Rear Wheel Gray                   |
| 34      | 946-04670   | Control Cable, 36.65"             |
|         | 746-04479   | Control Cable, 48"                |
|         | 946-0957    | Control Cable, 37.25"             |
|         | 946-1130    | Control Cable, 40"                |
|         | 946-04661   | Control Cable, 37.58"             |
| 35      | 710-0654A   | TT Sems Screw, 3/8-16 x 1.0       |
| 36      | 731-07203   | Trail shield                      |
| 37      | 731-07078   | Front Cover                       |
| 38      | 732-1014    | Torsion Spring                    |
| 39      | 787-01818A  | Front Height Adjuster Plate       |
| 40      | 911-04144A  | Rear Axle Assembly                |
| 41      | 911-04143B  | Front Axle Assembly               |
| 42      | 731-07001†  | Hubcap, 7" w/ snaps               |
|         | 731-08202†  | Hubcap, 7" w/o snaps              |
|         | 731-08203†  | Hubcap, 7" Yellow                 |
| 43      | 731-07875†  | Hubcap, 11"                       |
|         | 731-07876†  | Hubcap, 11" Yellow                |
| 44      | 710-04744†  | Screw, HL, #12-16 x 1.00          |
| 45      | 931-04437†  | Engine Shroud M1.1 Black          |
|         | 931-04440†  | Engine Shroud M2 Gray             |
|         | 931-04471†  | Engine Shroud M5 Gray             |
|         | 631-04562†  | Engine Shroud M5 Black            |

† If Equipped