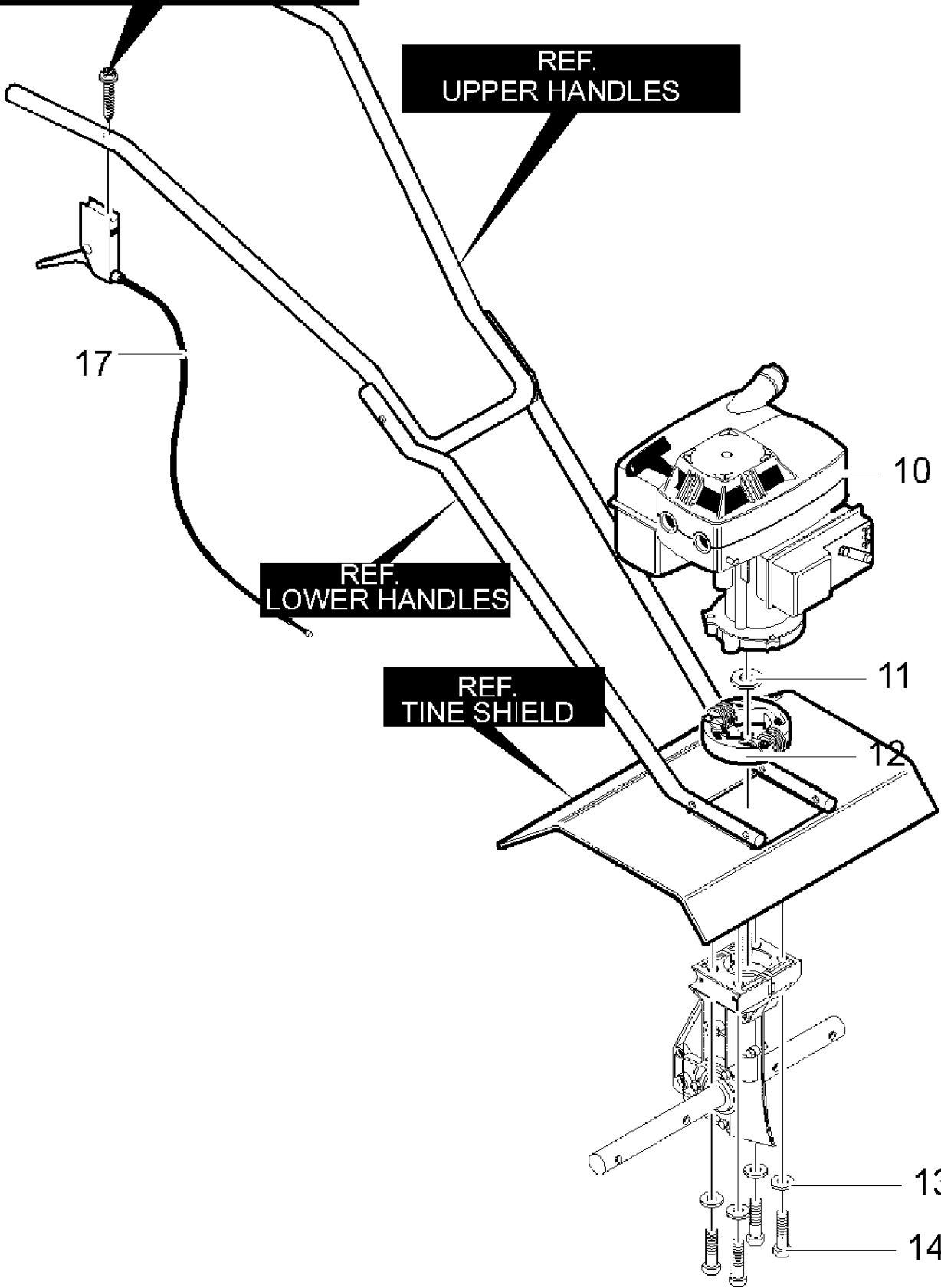


REF.
THROTTLE MOUNT SCREW

REF.
UPPER HANDLES

REF.
LOWER HANDLES

REF.
TINE SHIELD



17

10

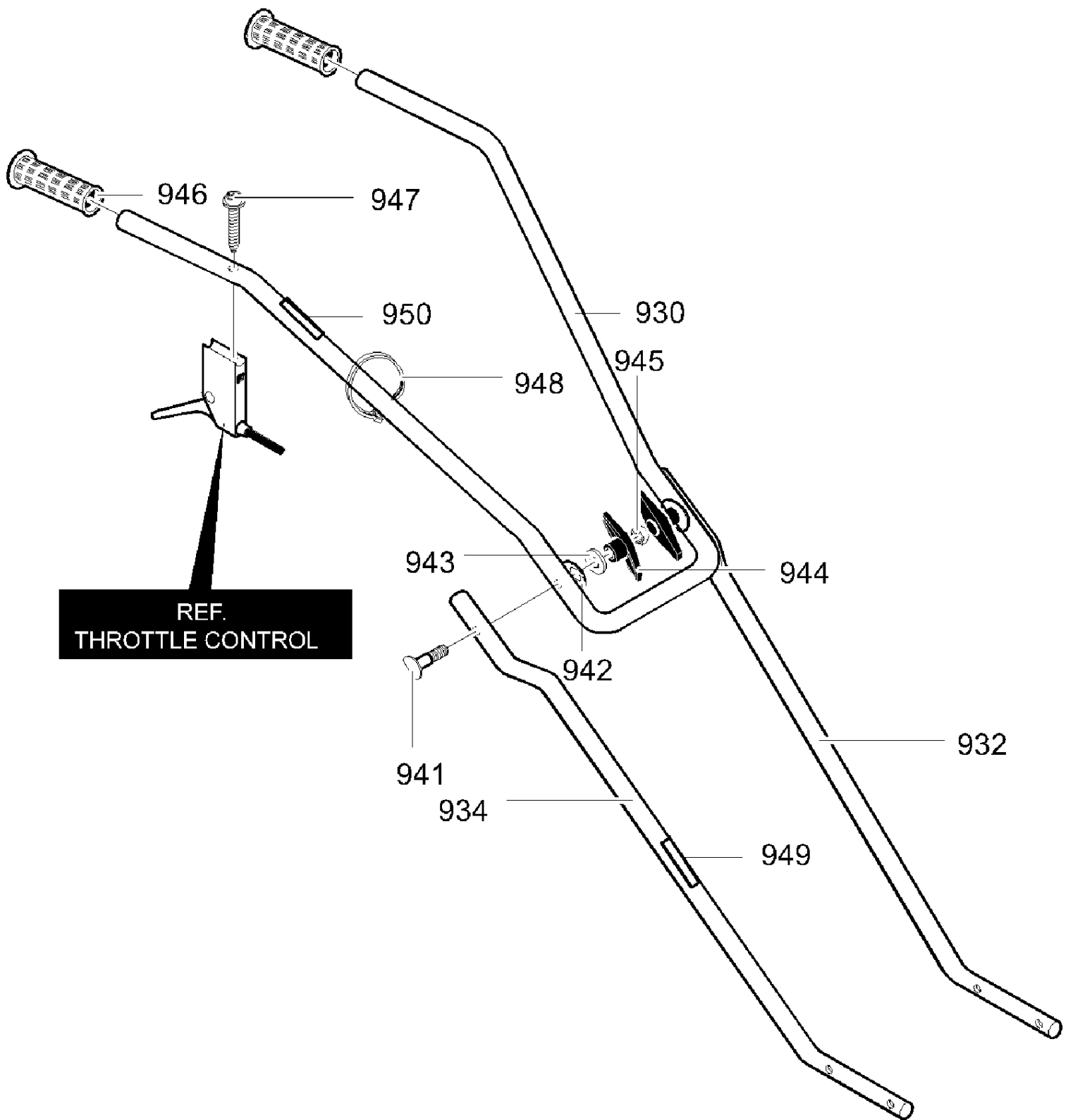
11

12

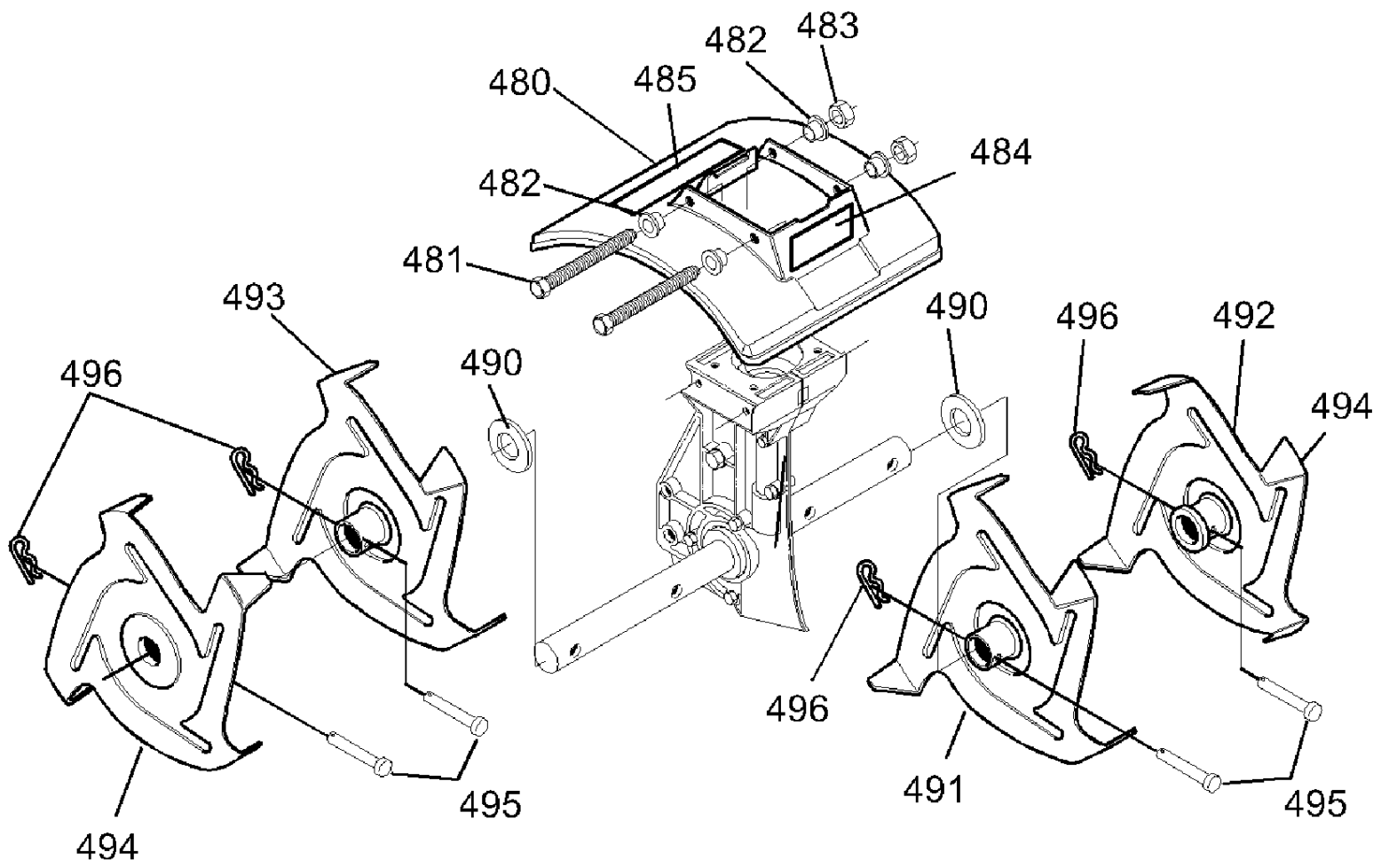
13

14

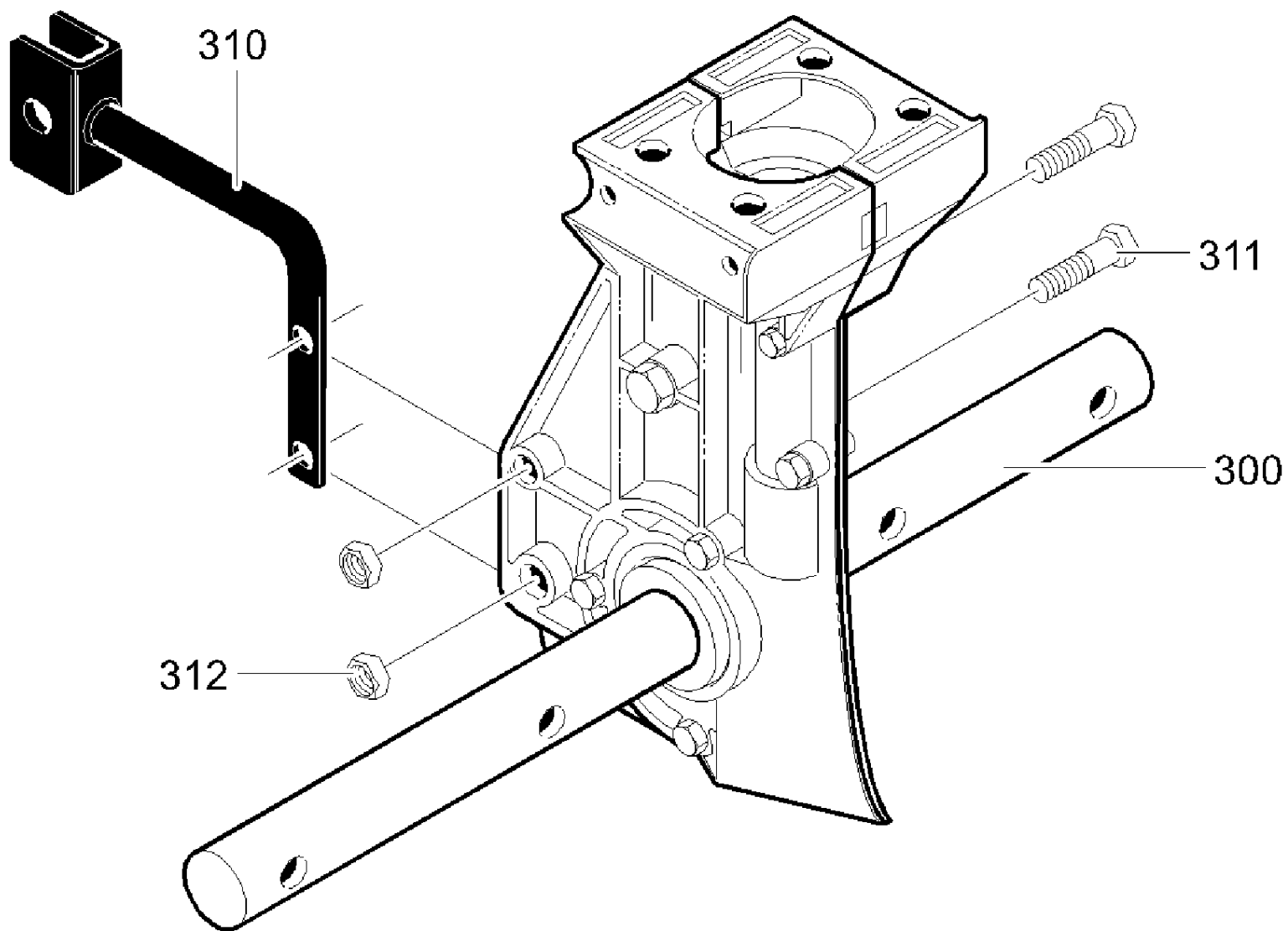
Ref #	Part Number	Qty	Description
10			Engine 2.0HP
11	56694		Flat washer
12	11052x30NA Cultivator (2003)		Rotor
13	335350MA Engine Mount		Washer, Regsptlk
14	120380		Screw
17	001X90MA		Cable, Throttle
	319306MA		Instruction Manual
	F-031302C		



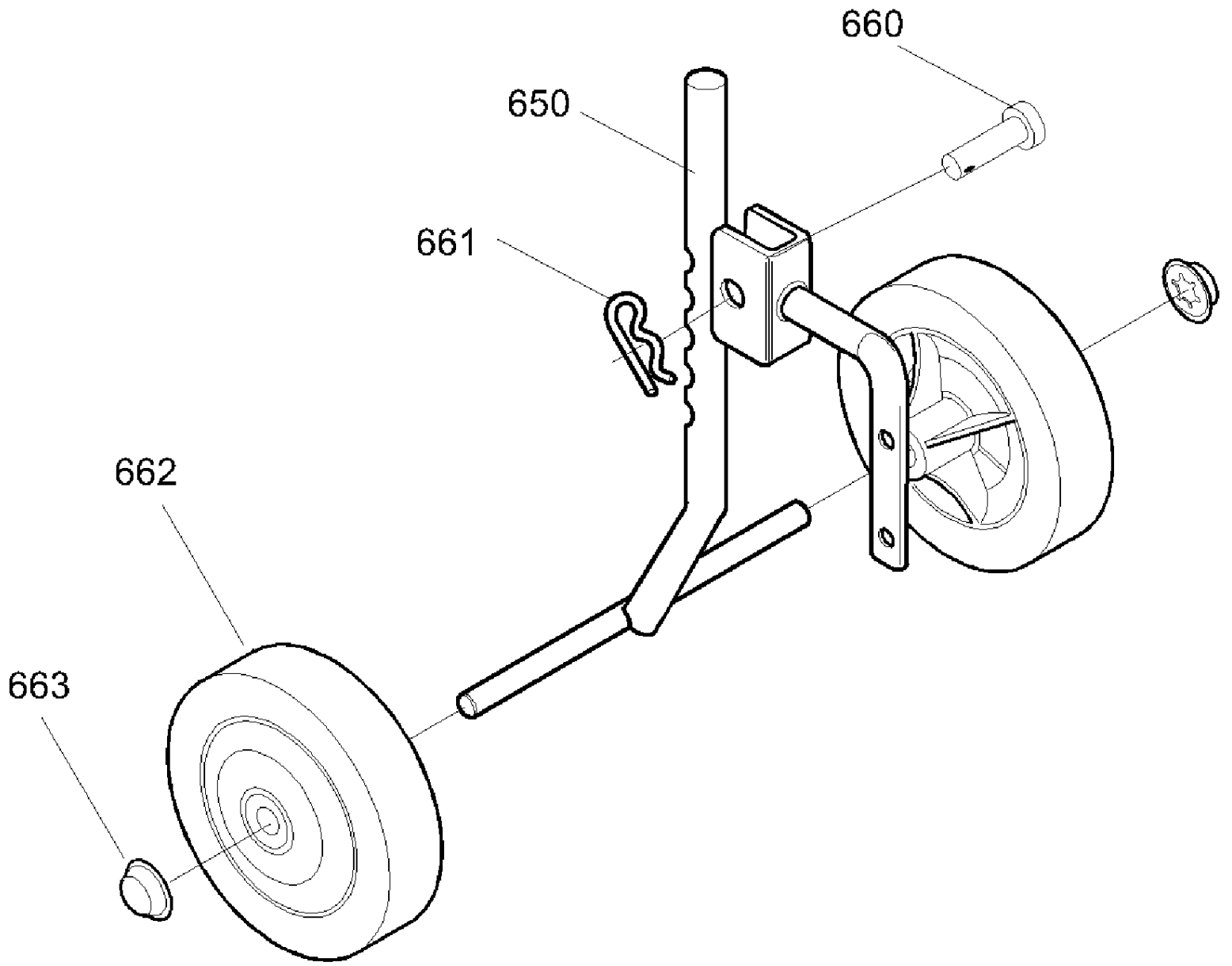
Ref #	Part Number	Qty	Description
930	7401026MA		Upper Handle Includes Key No. 950
932	339398E701MA		Lower Handle LH
934	7401023MA		Lower Handle RH Includes Key No. 949
941	1901029MA		Bolt 5/16-18x1.63
942	783000MA		Formed Washer
943	120393		Flat washer
944	57171		T Knob
945	120376		Nut, 5/16-18
946	56778MA		Hand Grip
947	426635MA		Screw 10-16x1.5
948	712267		Cable Tie
949	577434		Decal, Caution
950	48X4018MA		Decal, Throttle Control



Ref #	Part Number	Qty	Description
480	7401028MA		Shield, Tine Includes Key Nos. 484, 485 and four
	11052x30NA Cultivator (2003)		Key Nos 482.
	3 Tines & Shield Assembly		
481	1901023		Screw, 1/4-20x5.50
482	782585		Spacer, Flange
483	48X894		Nut, 1/4-20
484	48X4017		Decal, Murray
485	56158MA		Decal, Caution
490	56157E701		Washer, Felt
491	56155E701		Tine Assy. Inner LH
492	56156E701		Tine Assy. Outer LH
493	56154E701MA		Tine Assy. Inner RH
494	56123MA		Tine Assy. Outer RH
495	0031X4MA		Clevis Pin
496			Hair Pin



Ref #	Part Number	Qty	Description
300	1901017		Transmission
310	339390E701MA		Bracket, Depth Rod
311	180024MA		Screw, 1/4-20x1.25
312	782585		Nut, 1/4-20



Ref #	Part Number	Qty	Description
650	331176 Z		Wheel Support Assy.
660	56123MA		Clevis Pin
661	0031X4MA		Hair Pin
662	338307MA		Tire & Rim
663	73664MA		Push On Nut