

REF.
THROTTLE MOUNT SCREW

REF.
UPPER HANDLES

REF.
LOWER HANDLES

REF.
TINE SHIELD

17

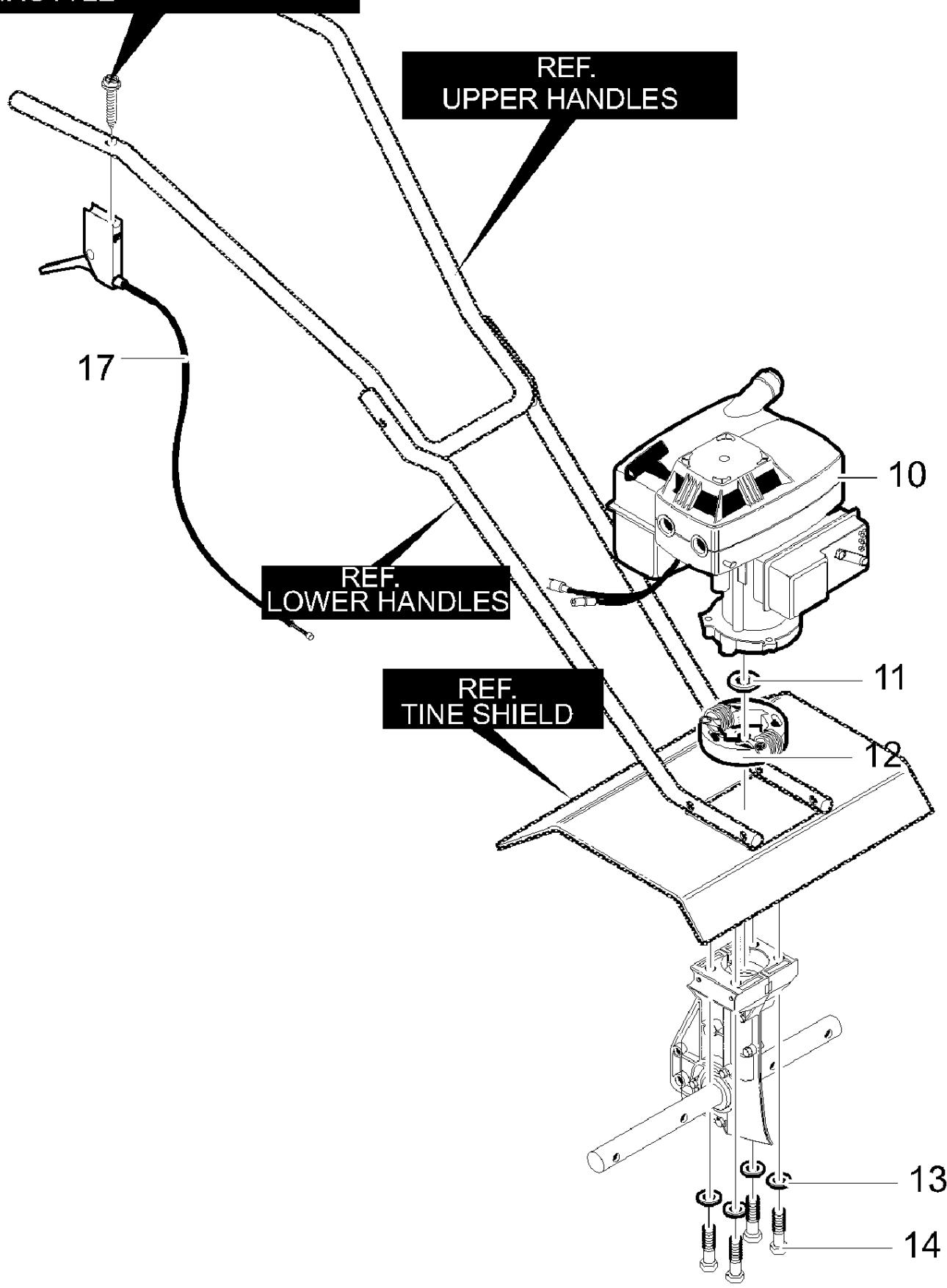
10

11

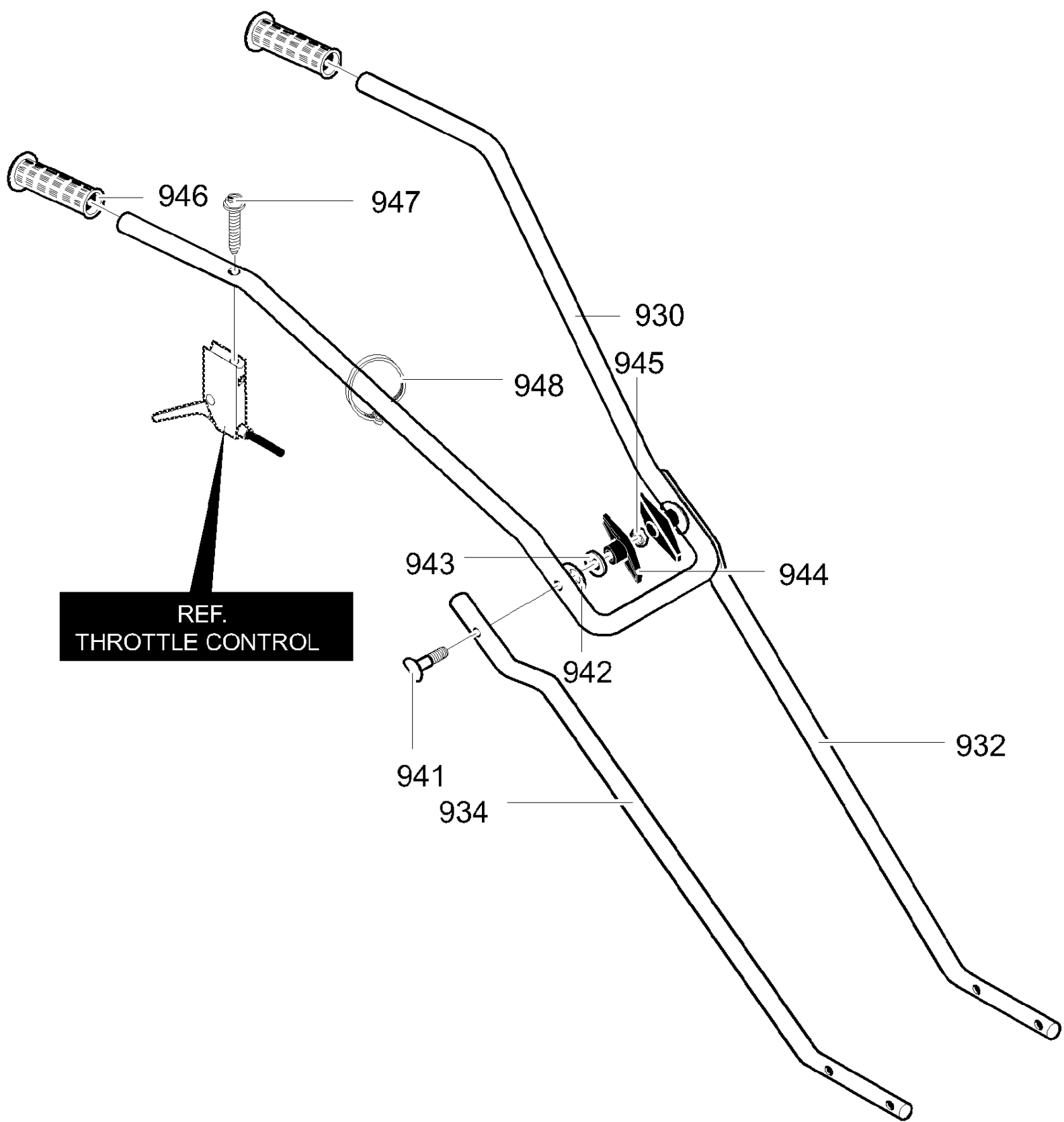
12

13

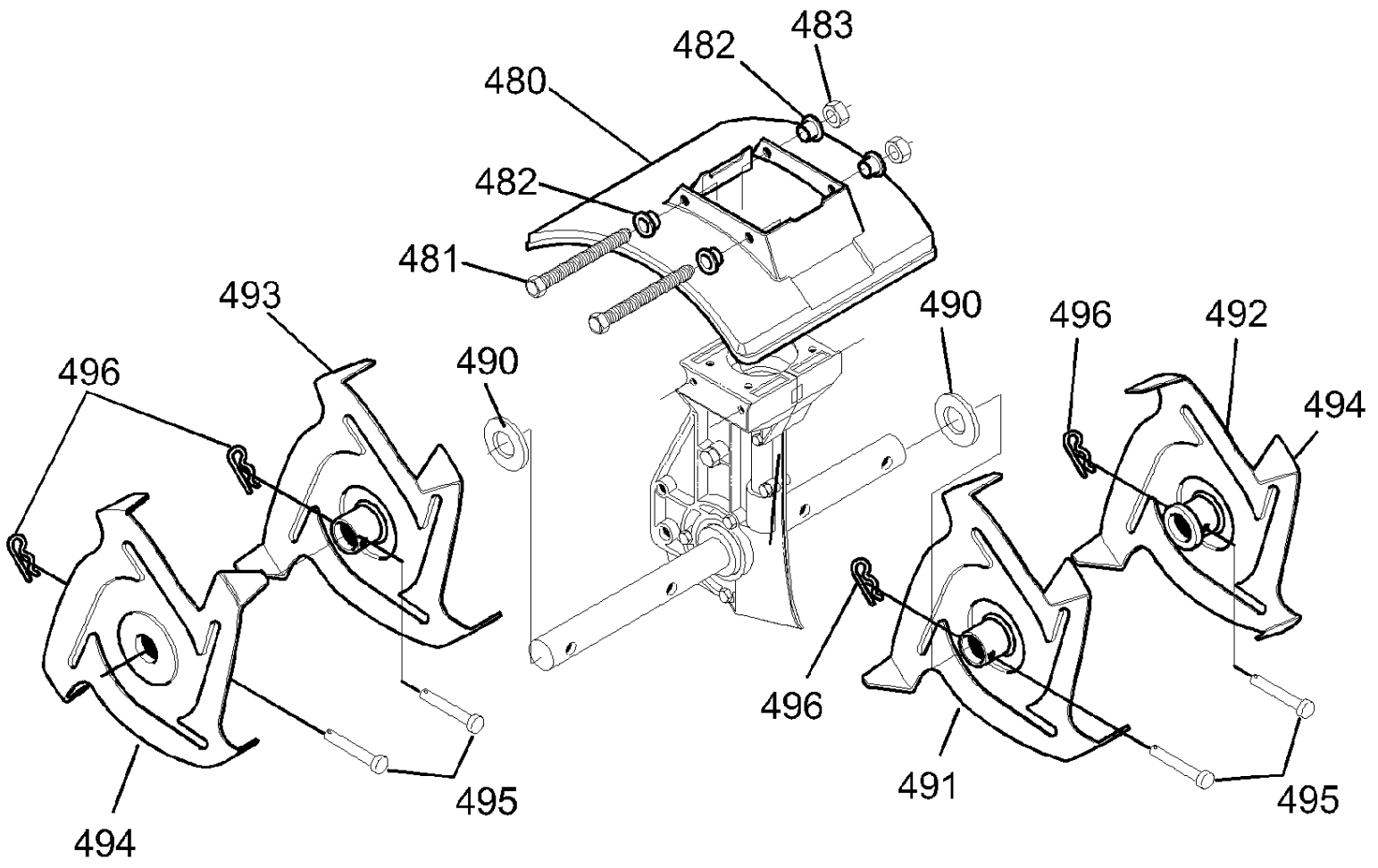
14



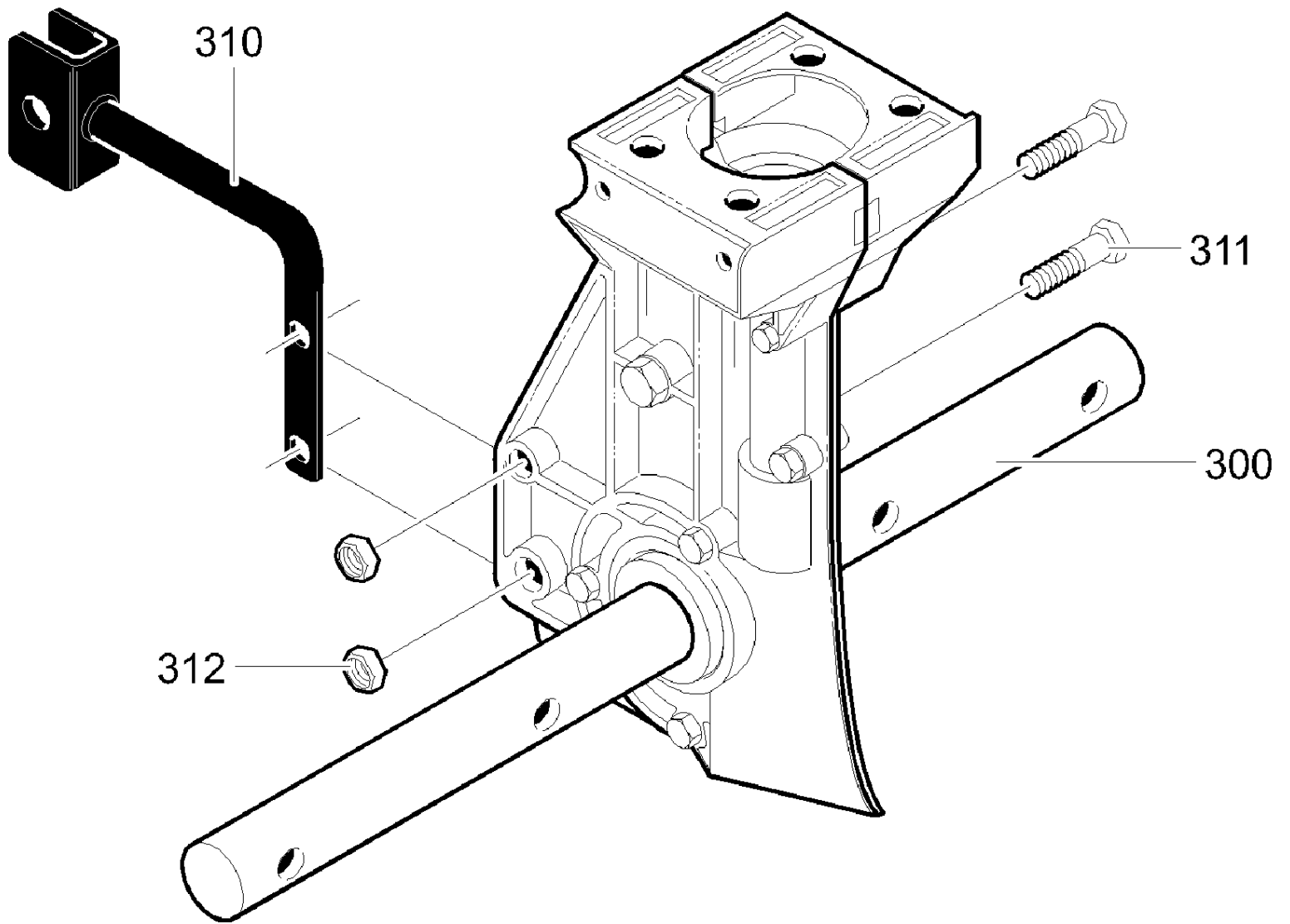
Ref #	Part Number	Qty	Description
10	2.0HP		Engine
11	56694		Flat washer
12	335350MA		Rotor
13	120380		Washer, Regsptlk
14	180042		Screw
17	319306MA		Cable, Throttle
	F-011306M		Instruction Manual



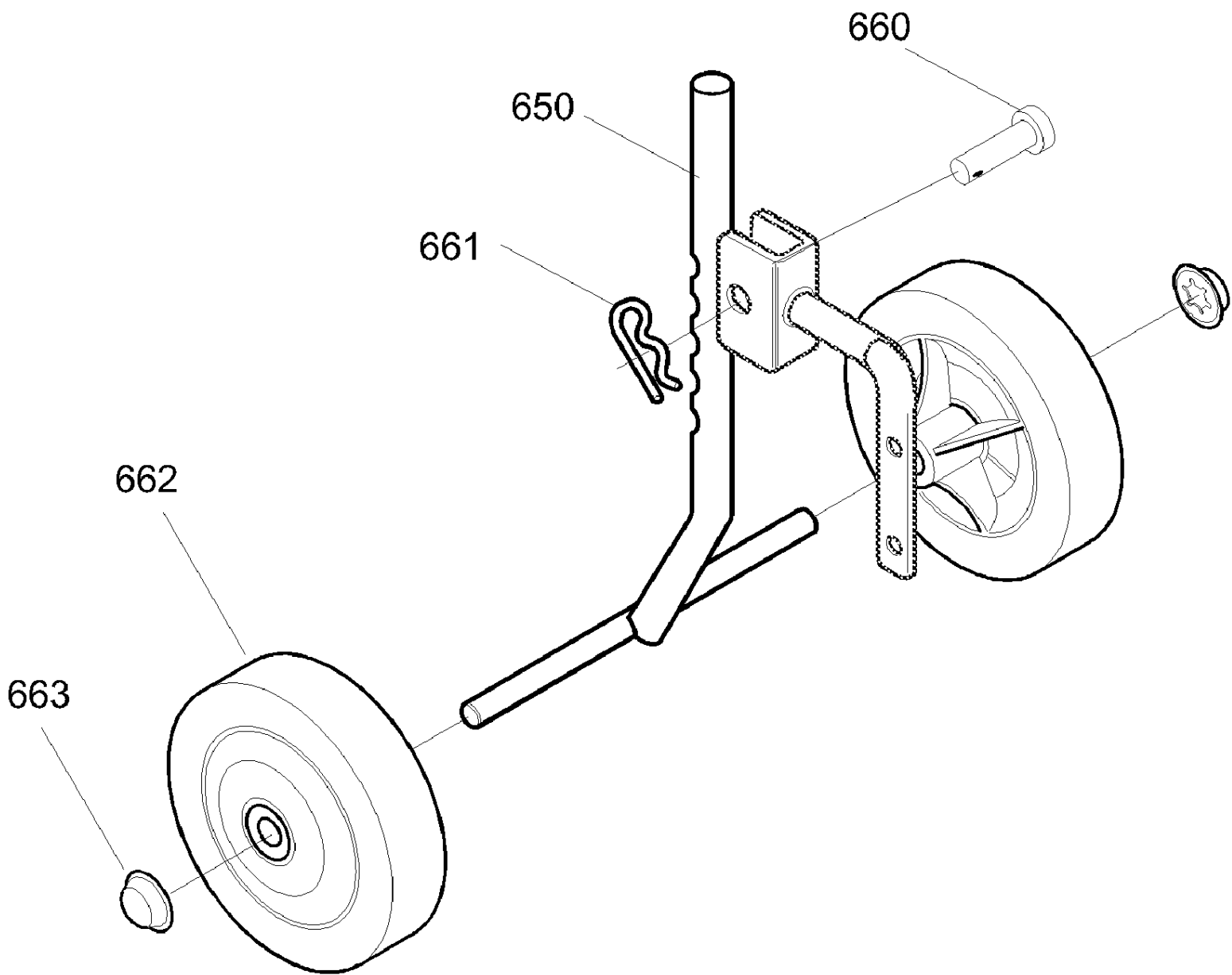
Ref #	Part Number	Qty	Description
930	56237-853		Upper Handle
932	339398-853		Lower Handle LH
934	339399-853		Lower Handle RH
941	56199MA		Bolt 5/16-18x1.63
942	783000MA		Formed Washer
943	120393		Flat washer
944	57171		T Knob
945	120376		Nut, 5/16-18
946	56778MA		Hand Grip
947			UNKNOWN
948			UNKNOWN



Ref #	Part Number	Qty	Description
480	308563		Shield, Tine
481	310056		Screw, 1/4-20x5.50
482	672734MA		Spacer, Flange
483	782585		Nut, 1/4-20
490	56158MA		Washer, Felt
491	56157-853		Tine Assy. Inner LH
492	56155-853		Tine Assy. Outer LH
493	56156-853		Tine Assy. Inner RH
494	56154-853		Tine Assy. Outer RH
495	56123MA		Clevis Pin
496	56180MA		Hair Pin



Ref #	Part Number	Qty	Description
300	740061		Transmission
310	340549		Bracket, Depth Rod
311	180024MA		Screw, 1/4-20x1.25
312	782585		Nut, 1/4-20



Ref #	Part Number	Qty	Description
650	331282		Wheel Support Assy.
660	56123MA		Clevis Pin
661	56180MA		Hair Pin
662	338307MA		Tire & Rim
663	73664MA		Push On Nut