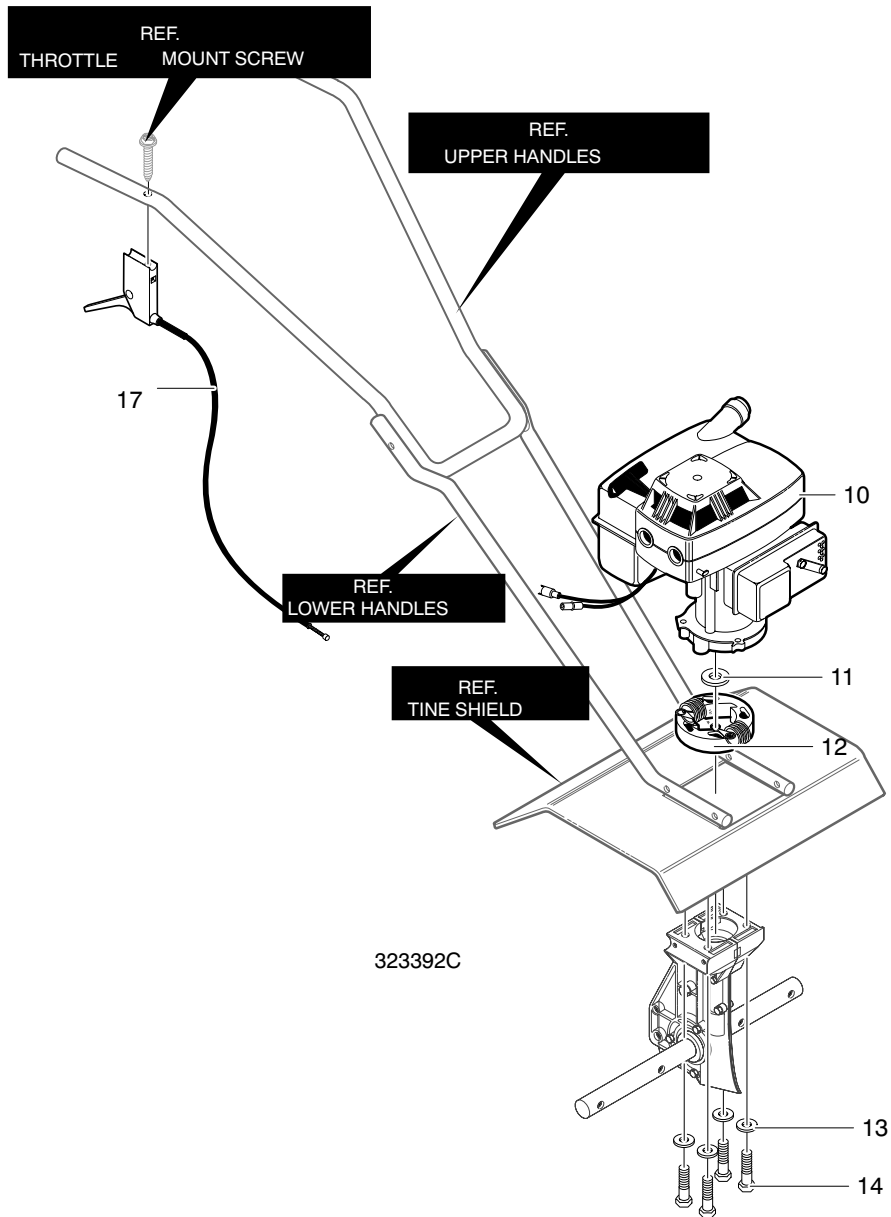


# MODEL 11052x92NA

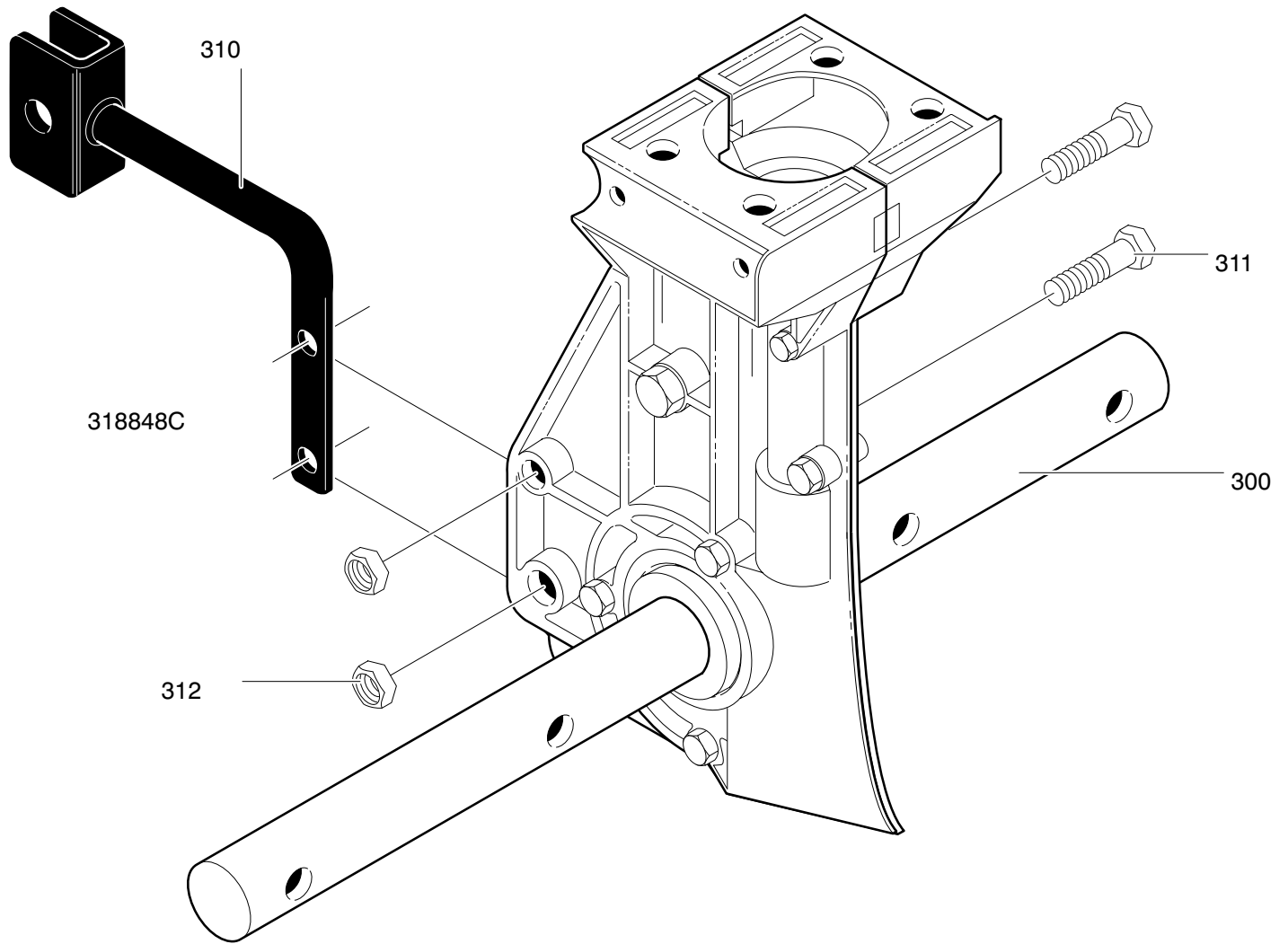
# REPAIR PARTS



KEY NO.	DESCRIPTION	PART NO.
10	Engine	2.0 HP
11	Flat washer	56694
12	Rotor	335350
13	Washer, Regsptlk	120380
14	Screw	001X90
17	Cable, Throttle	339297
—	Instruction Manual	F-031300C

# MODEL 11052x92NA

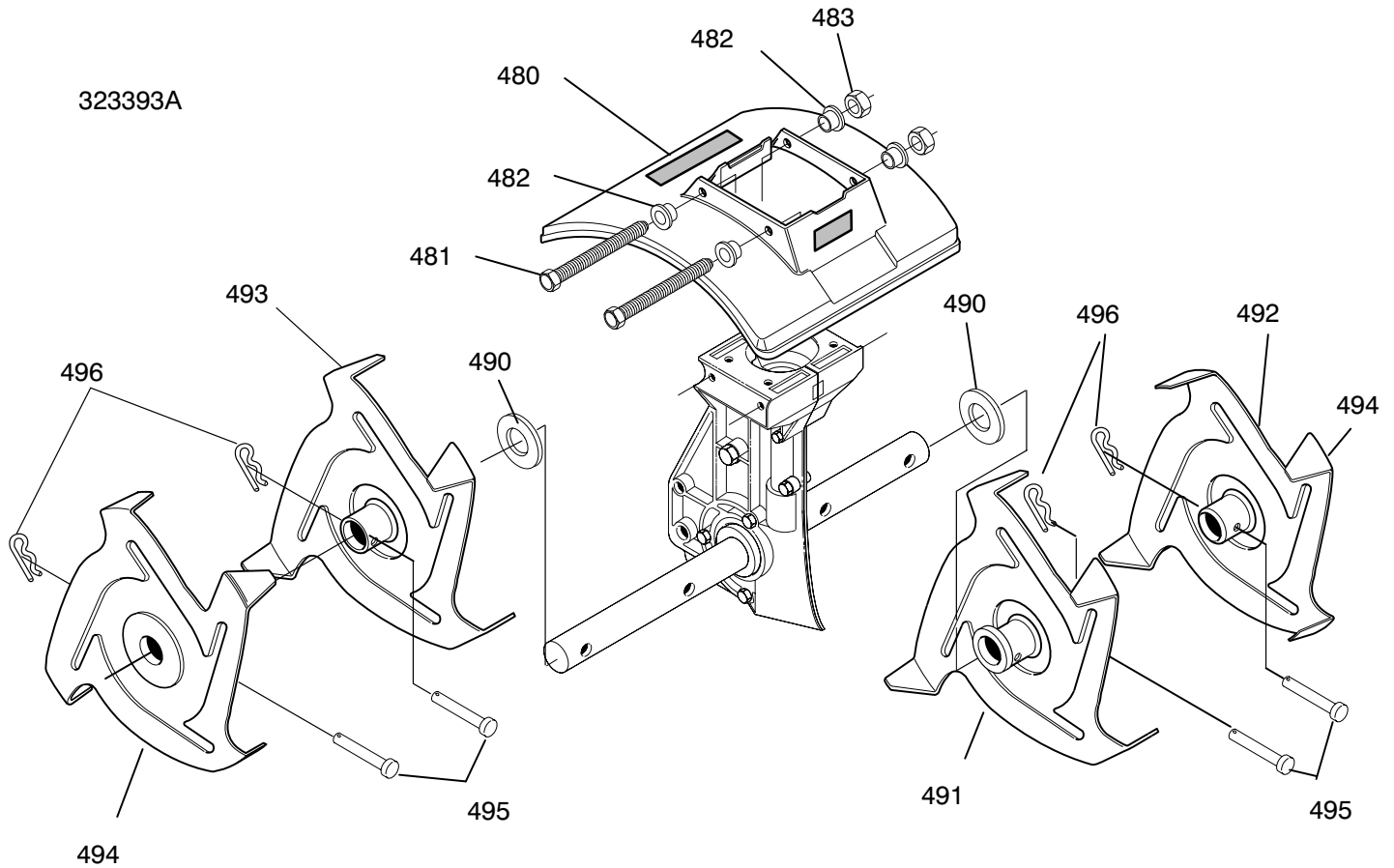
# REPAIR PARTS



KEY NO.	DESCRIPTION	PART NO.
300	Transmission	740061
310	Bracket, Depth Rod	340549
311	Screw, 1/4-20x1.25	180024
312	Nut, 1/4-20	782585

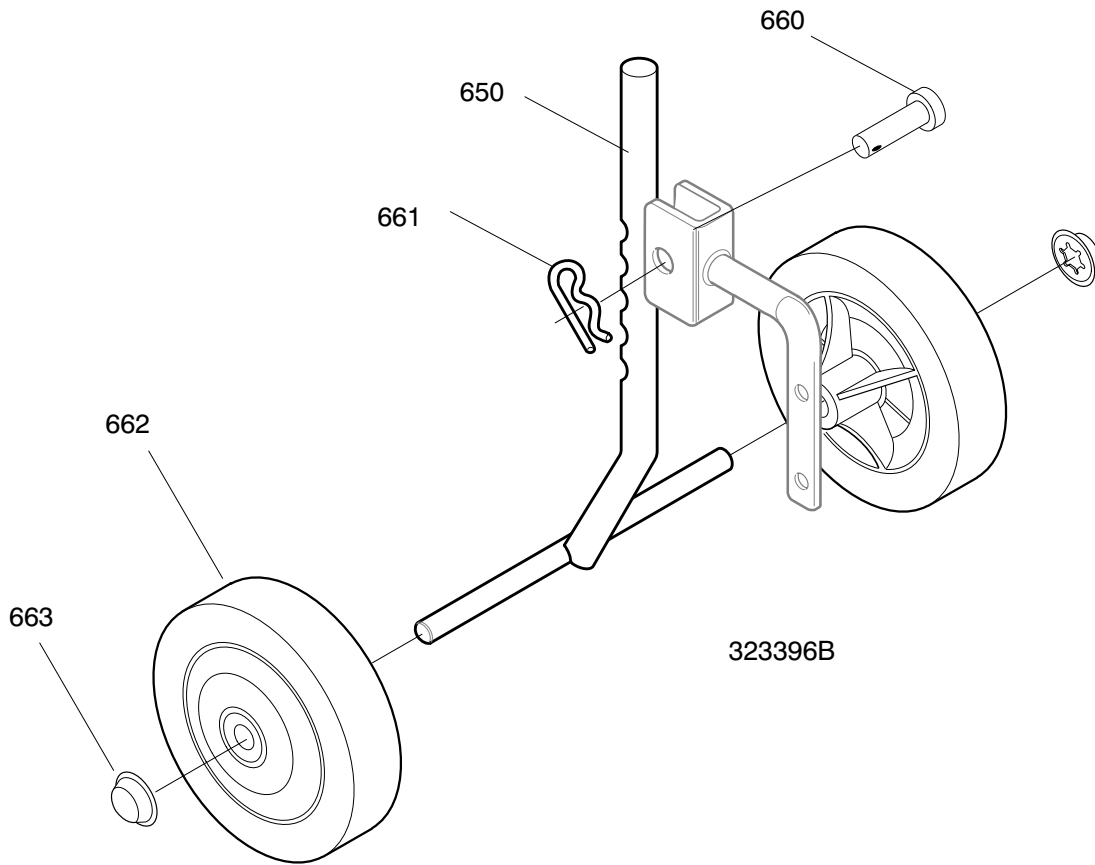
# MODEL 11052x92NA

# REPAIR PARTS



KEY NO.	DESCRIPTION	PART NO.	KEY NO.	DESCRIPTION	PART NO.
480	Shield, Tine	7401015 *	491	Tine Assy. Inner LH	1901047E701
481	Screw, 1/4-20x5.50	310056	492	Tine Assy. Outer LH	56155E701
482	Spacer, Flange	672734	493	Tine Assy. Inner RH	1901048E701
483	Nut, 1/4-20	782585	494	Tine Assy. Outer RH	56154E701
484	48x894	Decal, Murray	495	Clevis Pin	56123
485	48x4031	Decal, Caution	496	Hair Pin	0031x4
490	Washer, Felt	56158			

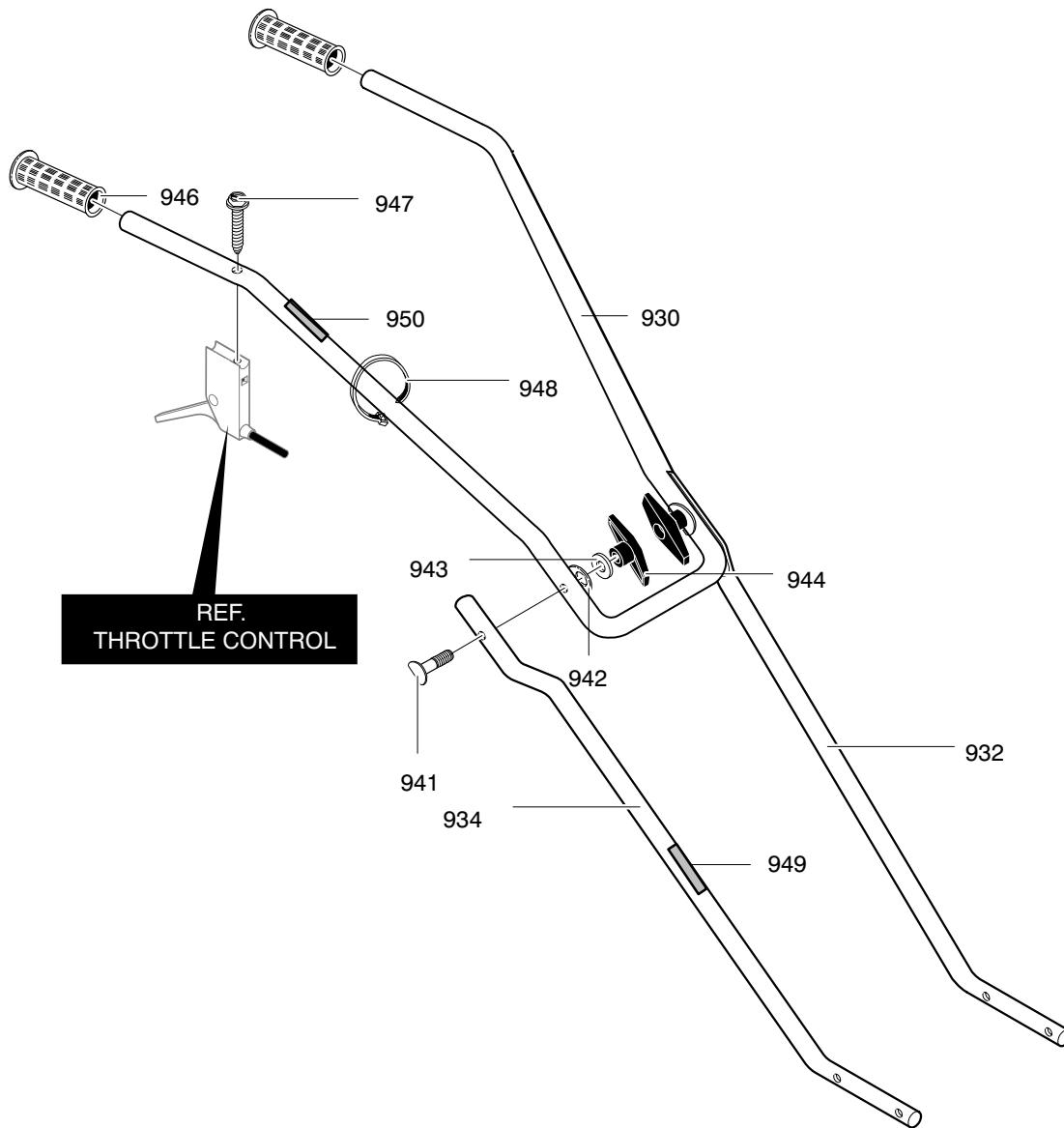
\* Includes Key Nos. 484, 485 and four Key Nos 482.



KEY NO.	DESCRIPTION	PART NO.
650	Wheel Support Assy.	331282
660	Clevis Pin	56123
661	Hair Pin	0031x4
662	Tire & Rim	339277
663	Push On Nut	73664

# MODEL 11052x92NA

# REPAIR PARTS



KEY NO.	PART NO.	DESCRIPTION	KEY NO.	PART NO.	DESCRIPTION
930	7401025 *	Upper Handle *	946	56778	Hand Grip
932	339398E701	Lower Handle LH	947	426635	Screw 10-16x1.5
934	7401022 +	Lower Handle RH +	948	712267	Cable Tie
941	56199	Bolt 5/16-18x1.63	949	305828	Decal, Caution
942	783000	Formed Washer	950	48x4030	Decal, Throttle Control
943	120393	Flat washer			
944	1901018	T Knob			

\* Includes Key No. 950

+ Includes Key No. 949