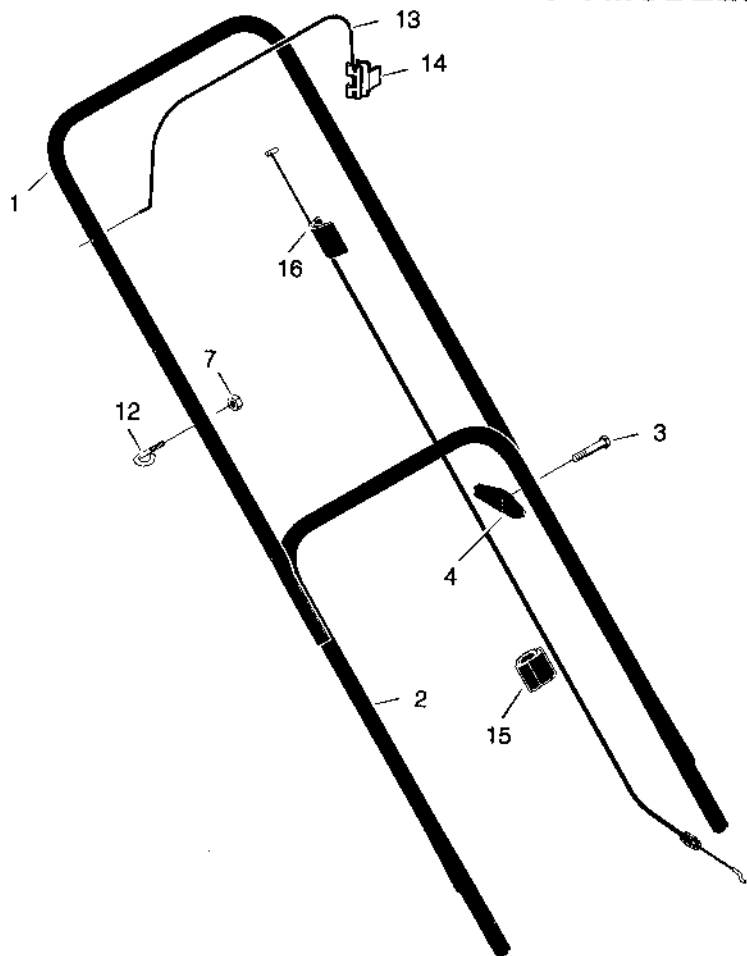


HANDLE - BRIGGS & STRATTON MODELS

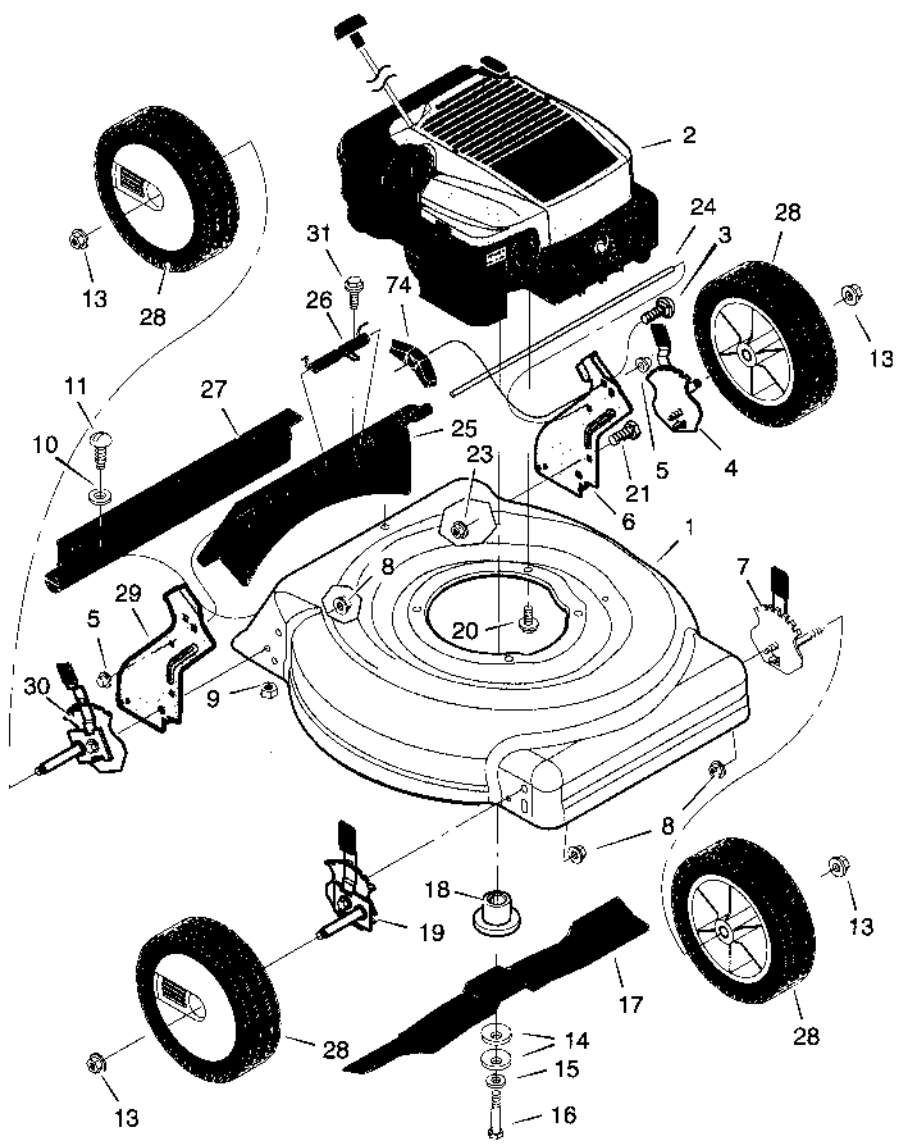


KEY NO.	DESCRIPTION	PART NO.	KEY NO.	DESCRIPTION	PART NO.
1	Handle, Upper (Black)	1101555E701	12	Guide, Rope	71530
	Handle, Upper (Gray)	1101555E724	13	Engine Stop Lever	671924E700
2	Handle, Lower (Black)	672874E701	14	Bracket, Stop Lever	1101454
	Handle, Lower (Gray)	672874E724	15	Fastener, Cable	1101353
3	Bolt	2x77	16	Engine Stop Cable *	1101360
4	Knob, Plastic	71294		Engine Stop Cable #	1101362
7	Locknut	15x116			

* Used on Briggs & Stratton Classic, Sprint, Quattro and Q-Style engines.

Used on Briggs & Stratton Quantum engines.

MULCHER MODELS



MULCHER MODELS

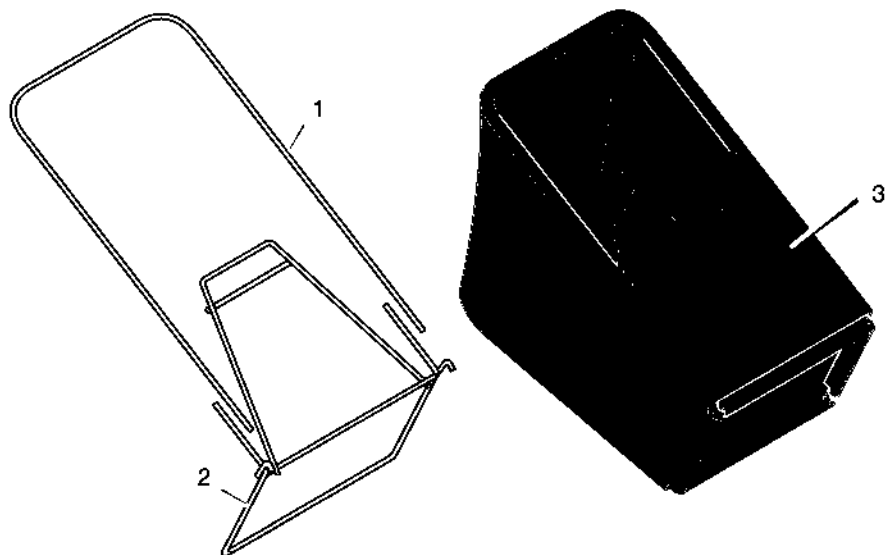
KEY NO.	DESCRIPTION	PART NO.	KEY NO.	DESCRIPTION	PART NO.
1	Housing	776150	18	Adapter, Blade	672503
2	Engine *	*	19	Adjuster, Right Front Height	672600
3	Bolt, Carriage	2x81	20	Bolt, Engine	25x6
4	Adjuster, Left Rear Height	672605	21	Bolt	1x45
5	Nut, Push	28x49	23	Nut, Flange	15x79
6	Bracket, Left Handle	1101239E700	24	Rod, Pivot	215x17 Z
7	Adjuster, Left Front Height	672601	25	Door, Rear (Black) Door, Rear (Gray)	672611 672613
8	Nut, Flange	15x68	26	Spring	166x44
9	Nut, Hex	15x102	27	Guard, Rear	671970
10	Washer	17x38	28	Wheel & Tire #	# 672060
11	Screw	4x21	29	Bracket, Right Handle	1101238E700
13	Nut, Flange	15x84	30	Adjuster, Right Rear Height	672804
14	Washer, Belleville	17x137	31	Screw	26x245
15	Washer	17x124	74	Knob	71495
16	Bolt	1x153	--	Instruction Book	F-030400L
17	Blade	672763E701			

* Parts are available from an Authorized Engine Service Center. See "Engines, Gasoline" or "Gasoline Engines" in the yellow pages of the telephone directory.

See the Wheel and Tire Parts List page.

GRASS BAG

NOTE: On some models, the Grass Bag Assembly is an *OPTIONAL ACCESSORY* and is not included with the unit. On these models, the Grass Bag can be purchased and easily installed.



KEY NO.	DESCRIPTION	PART NO.
1	Frame, Top	71592
2	Frame Assembly	672905
3	Bag, Cloth - Black	1101003