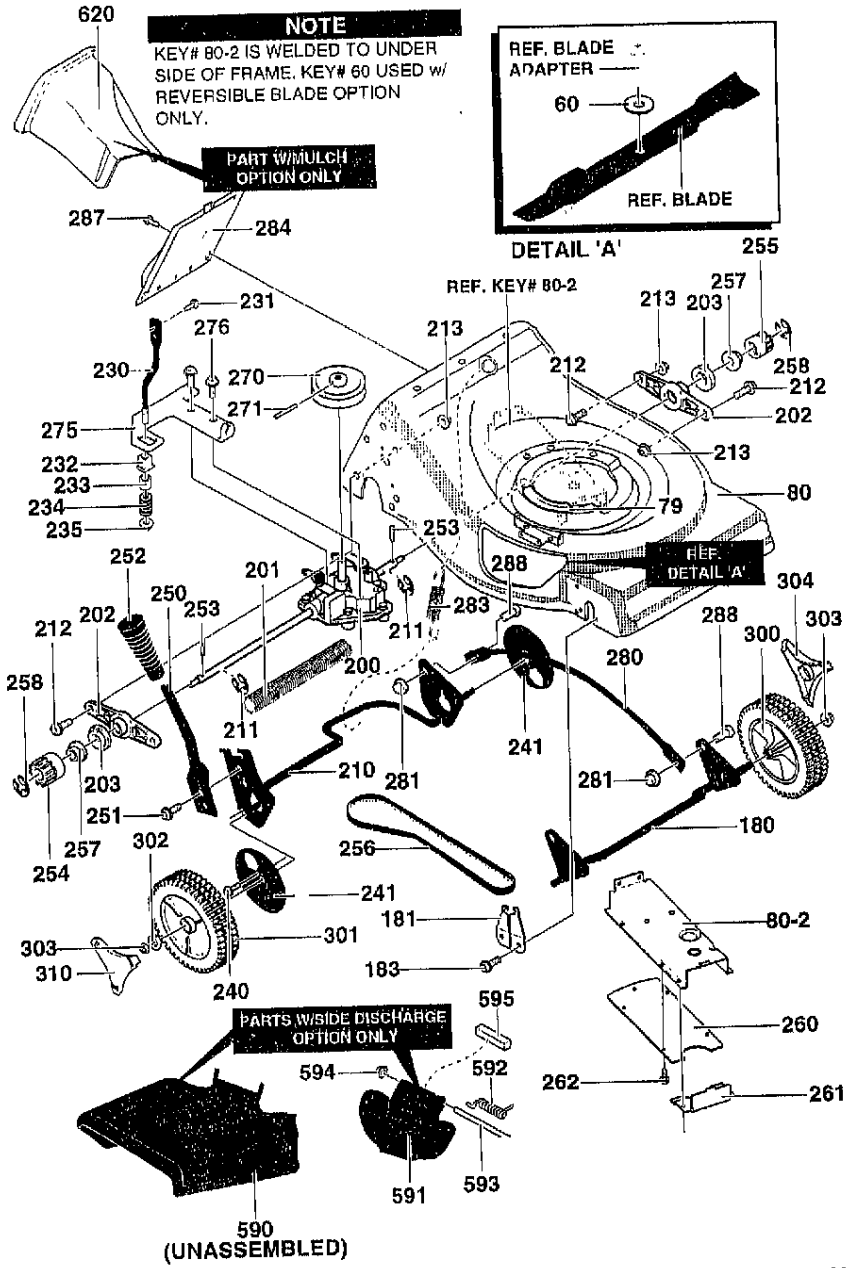


MODEL 21995X8A

REPAIR PARTS

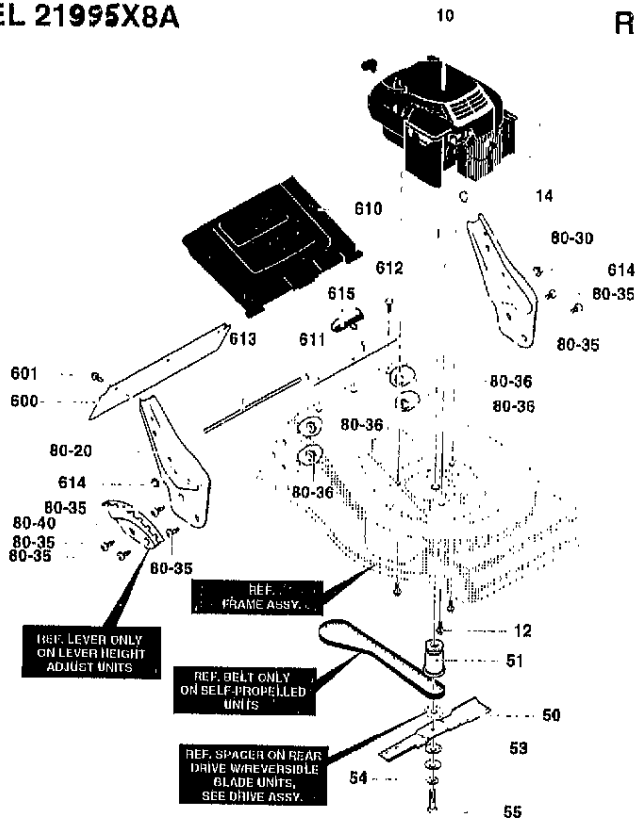


27

MODEL 21995X8A

REPAIR PARTS

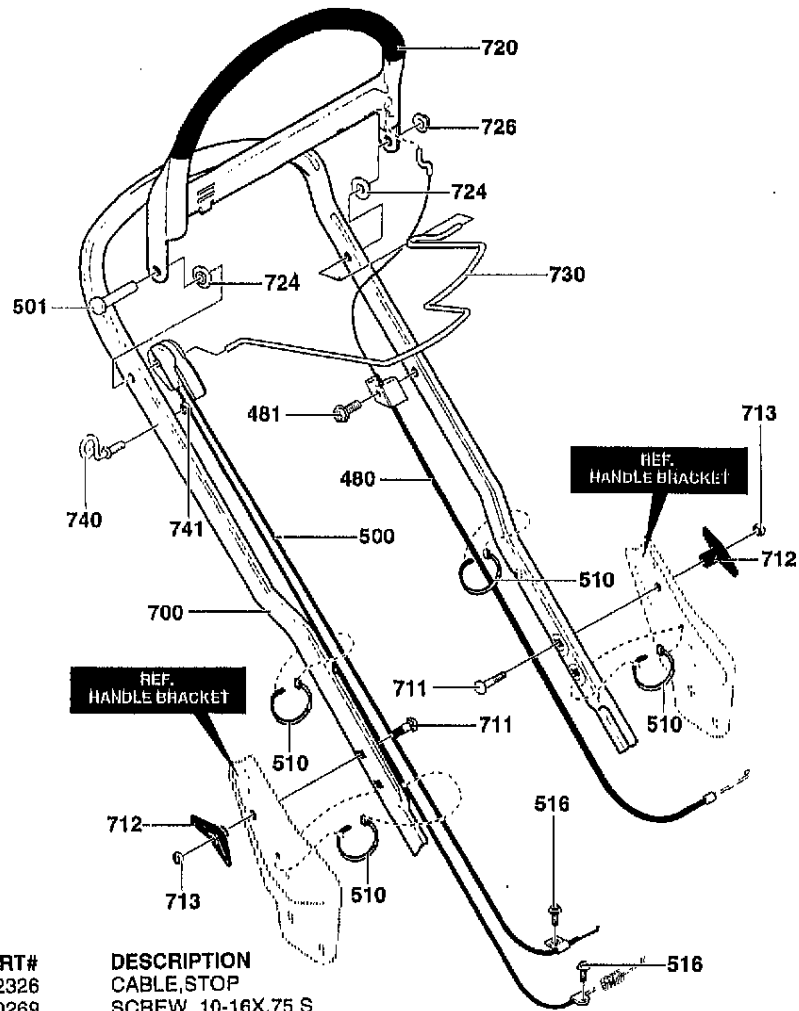
Key#	Part#	Description
60	671470	SPACER, BLADE ADAPTER
79	712012	SEAL, FOAM
80	672273-898	ASSY, FRAME
80-2	71238	GUARD, BELT 21RB 3N1
180	71152-898	ASS'Y,CROSSBAR FRONT 21
181	672279	BUSHING
183	710270	SCREW, 1/4-14X.50
200	672270	TRANSMISSION, T-TORQ
201	643649	SHIELD, AXLE
202	671411	SUPPORT, AXLE
203	643788	BEARING, LIFTER
210	672277-898	ASSY,CROSSBAR
211	20864	RING, RET E
212	710174	SCREW,5/16-18X.75
213	710205	NUT, 5/16-18 WDFLLK
230	71481	SUPPORT, SPRING 22
231	711863	SCREW,1/4-20X.63
232	71480	BUSHING, SPRING SUPPORT
233	43844	SPACER,.508X.712X.563
234	710327	SPRING, COMPRESSION
235	710205	NUT, 5/16-18
240	710270	SCREW,1/4-14X.50
241	643616	DUSTCOVER
250	672278	LEVER,SPRING HGT ADJ
251	710274	SCREW, 1/4-20X .63
252	671297	KNOB, HEIGHT ADJ
253	643629	PIN, DRIVE .177X.750
254	671904	GEAR,PINION RIGHT
255	671903	GEAR, PINION LEFT
256	672271	BELT, V
257	710254	WASHER, FLAT .502 X .99 .031
258	20864	RING, RET E
260	43770-898	COVER, LOWER BELT GUARD-
261	71239-898	COVER, FRONT BELT
262	710273	SCREW, 10-16X.50
270	672269	PULLEY,
271	710294	PIN, SPRING
275	672268	BRACKET,TRANS CABLE
276	710264	SCREW, 1/4-20X .50
280	43720-898	LINK, LIFTER 21
281	712072	CAP, PUSH ON
283	711459	SPRING ,EXTENSION
284	71246-898	COVER, REAR TRANSMISSION
287	711863	SCREW,1/4-20X.63
288	711542	PIN,CLEVIS.25X.56
300	672437	TIRE & RIM
301	672435	WHEEL, DRIVE 9X2
302	710252	WASHER, FLAT .382 X 1.0 X.03
303	710140	NUT,3/8-16HWDFLLK MACK
304	672445	HUBCAP
310	672446	HUBCAP
590	672046	DEFLECTOR, CHUTE
591	672045	COVER, MULCH
592	340826	SPRING,TORSION
593	340827	ROD,PIVOT
594	710285	CAP, PUSH ON
595	712012	SEAL, FOAM
620	71250	PLUG, MULCHER-SMALL



KEY#	PART#	DESCRIPTION
10	121602-0121-21	ENGINE (SEE ENGINE MANUAL) (B&S)
12	47792	SCREW, 3/8-16X1.00
14	785341	WOODRUFF KEY
50	672089	BLADE, 21" REVERSIBLE
51	671058	ADAPTER, BLADE 21"
53	710210	WASHER, BEVELLE
54	710207	WASHER, FLAT.406X.812X.06
55	710201	SCREW, 3/8-24X2.00
80-20	672266	BRACKET, HANDLE RH
80-30	672267	BRACKET, HANDLE LH
80-35	710277	SCREW, 5/16-18X.63
80-36	712072	NUT, 5/16-18, HEXWDFLK WHIZ
80-40	672276	QUADRANT, HEIGHT ADJ
600	43640	DEFLECTOR, REAR
601	710271	SCREW, 10-16X.50
610	71833	DOOR, REAR 21
611	672049	SPACER, RR DOOR
612	710273	SCREW, 10-16X.50
613	672282	ROD, PIVOT RR DOOR.25X18.5
614	710285	CAP, PUSH ON
615	340823	SPRING, TORSION
	711733	OWNER'S MANUAL

343733A

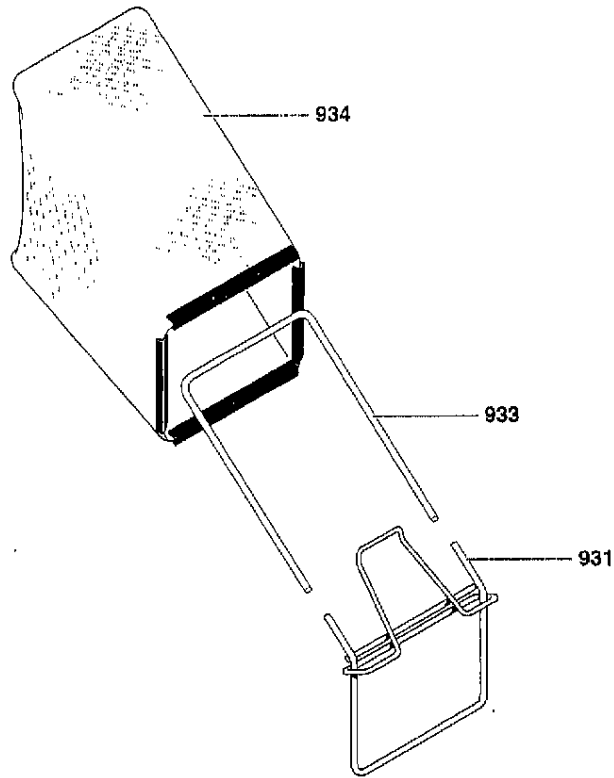
D9



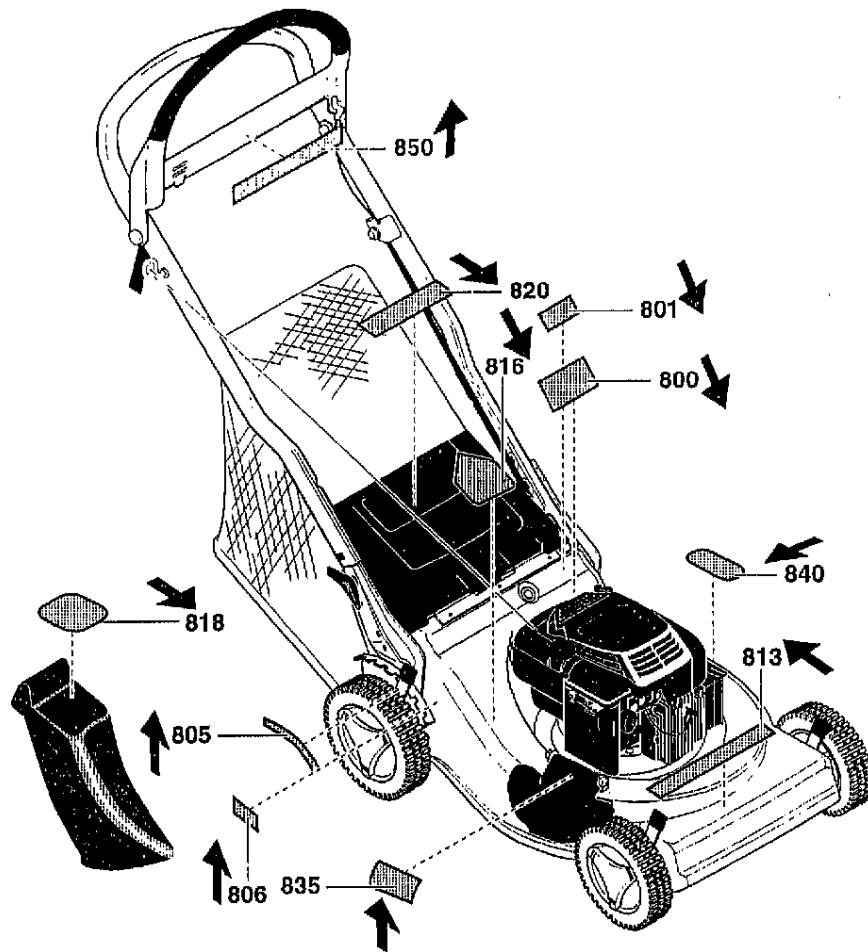
KEY#	PART#	DESCRIPTION
480	672326	CABLE, STOP
481	710269	SCREW, 10-16X.75 S
500	672272	CABLE, DRIVE COMBO
501	711833	SCREW, #10-16X1.38
510	671372	TIE, CABLE BLACK NYLON 5.62L
516	710271	SCREW, 10-16X.50HWASEMTAP
700	672285-808	HANDLE
711	710175	BOLT, 5/16-18X2.00
712	13527	KNOB, T W/516/18 NUT
713	120376	NUT, 5/16-18 REGHEX
720	672687	LEVER, STOP FLAT
724	672292	SPACER
726	710286	CAP, PUSH ON
730	672290-898	LEVER, DRIVE WIRE
740	672510	GUIDE, ROPE 1/4-20
741	710203	NUT, 1/4-20

343566A

DA
16



KEY#	PART#	DESCRIPTION
931	672293	ASSY, BAG FRAME
933	672294	FRAME, BAG TOP
934	672119	BAG, 21



KEY#	PART#	DESCRIPTION
800	-	REFERENCE ONLY
801	710625	DECAL,CUSTOMER CARE CENTER
805	340820	DECAL,HEIGHT ADJ.
806	710738	DECAL,HEIGHT ADJ. SCOTTS
813	711838	DECAL, DECK
816	710443	DECAL, CUT FINGER
818	711478	DECAL,WARNING MULCHER PLUG
820	711477	DECAL, CAUTION
835	711840	DECAL,M-COVER TURF-VAC
840	711841	DECAL, DECK,TURF-VAC
850	711835	DECAL,LEVER RD SCOTTS

711733

343645B

DC
11