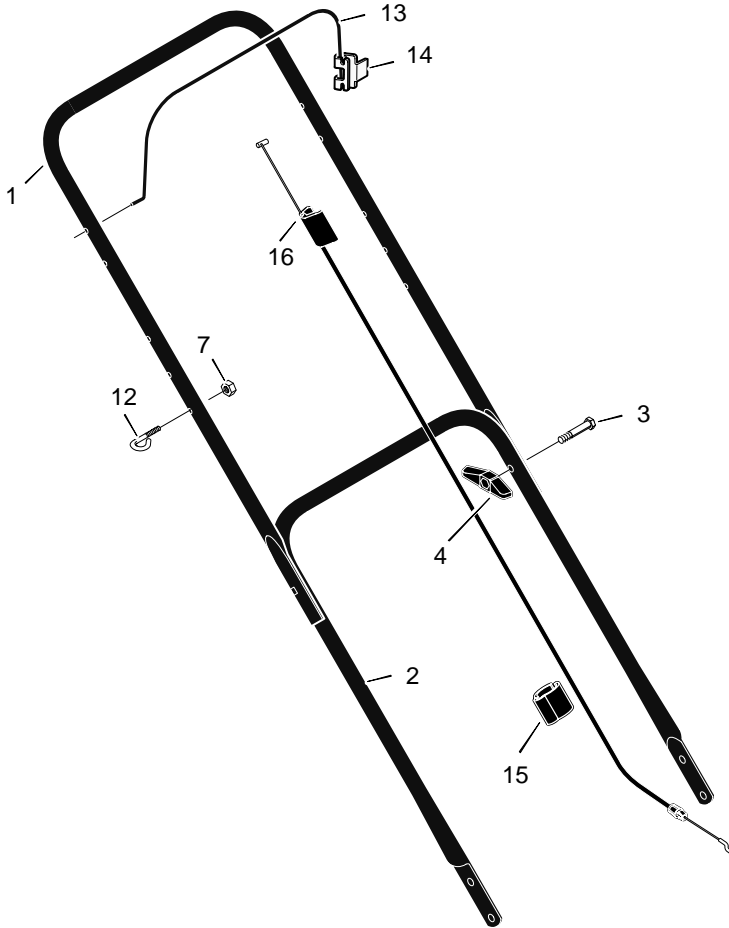


HANDLE - BRIGGS & STRATTON MODELS

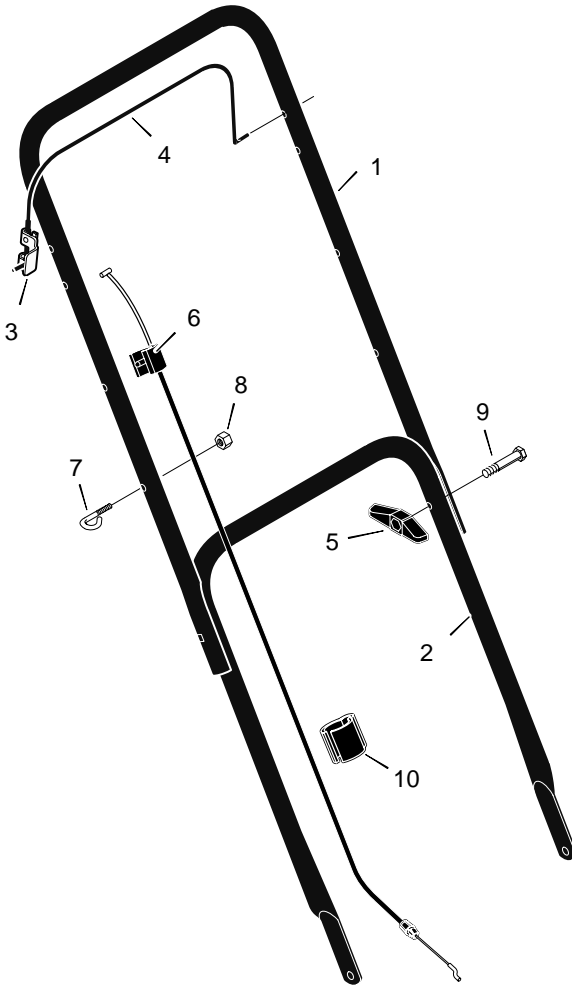


KEY NO.	DESCRIPTION	PART NO.	KEY NO.	DESCRIPTION	PART NO.
1	Handle, Upper (Black)	1101556E701	12	Guide, Rope	071530
	Handle, Upper (Gray)	1101556E724	13	Engine Stop Lever	043653E701
2	Handle, Lower (Black)	071137E701	14	Bracket, Stop Lever	1101454
	Handle, Lower (Gray)	071137E724	15	Fastener, Cable	1101353
3	Bolt	002x77	16	Engine Stop Cable *	672840
4	Knob, Plastic	071294		Engine Stop Cable #	1101181
7	Locknut	15x116			

* Used on Briggs & Stratton Classic, Sprint, Quattro, Q-Style and QS-Style engines.

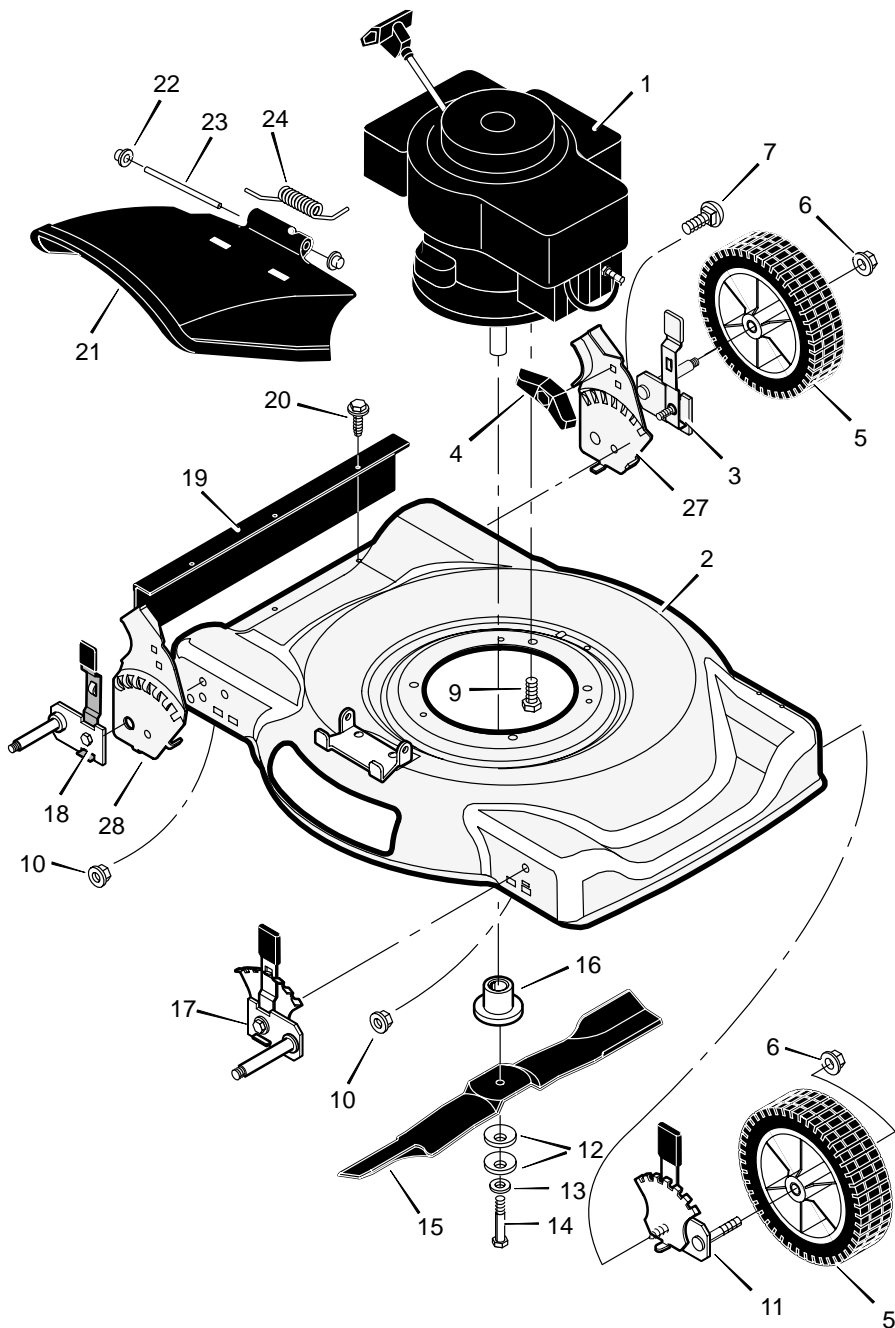
Used on Briggs & Stratton Quantum engines.

HANDLE - TECUMSEH ENGINE MODELS



KEY NO.	DESCRIPTION	PART NO.	KEY NO.	DESCRIPTION	PART NO.
1	Handle, Upper (Black) Handle, Upper (Gray)	1101556E701 1101556E724	6	Engine Stop Cable	672835
2	Handle, Lower (Black) Handle, Lower (Gray)	071137E701 071137E724	7	Guide, Rope	071530
3	Bracket, Stop Lever	1101454	8	Locknut	15x116
4	Lever, Stop	043653E700	9	Bolt	002x77
5	Knob, Plastic	071294	10	Fastener, Cable	1101353

MODELS WITH STANDARD WHEELS



MODELS WITH STANDARD WHEELS

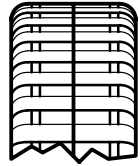
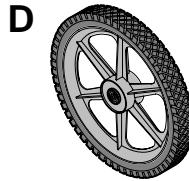
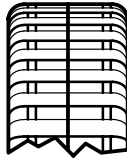
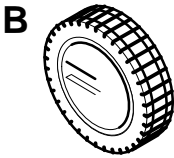
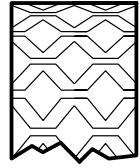
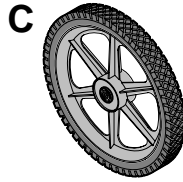
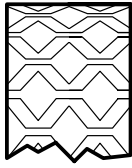
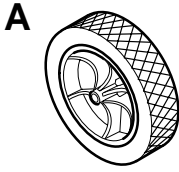
KEY NO.	DESCRIPTION	PART NO.
1	Engine ‡	-----
2	Housing	776022
3	Height Adjuster, Left Rear (8" Wheels)	672641
	Height Adjuster, Left Rear (7" Wheels)	672637
4	Knob	071495
5	Wheel and Tire #	-----
6	Locknut, Flange	015x84
7	Bolt, Carriage	002x81
9	Bolt, Engine	0025x6
10	Nut	015x68
11	Height Adjuster, Left Front (8" Wheels)	672601
	Height Adjuster, Left Front (7" Wheels)	672635
12	Washer, Belleville	17x137
13	Washer	17x124
14	Bolt, Hex	01x142
15	Blade, Side Discharge	042225E701
16	Adapter, Blade	071056
17	Height Adjuster, Right Front (8" Wheels)	672600
	Height Adjuster, Right Front (7" Wheels)	672634
18	Height Adjuster, Right Rear (8" Wheels)	672640
	Height Adjuster, Right Rear (7" Wheels)	672636
19	Guard, Rear	672738
20	Screw	26x245
21	Deflector, Chute	672421
22	Push-On Cap	028x42
23	Pin, Pivot	215x11 Z
24	Spring	0166x5
27	Bracket, Left Handle	1101303E700
28	Bracket, Right Handle	1101302E700
-	Book, Instruction	F-040400L

‡ Parts are available from an Authorized Engine Service Center. See "Engines, Gasoline" or "Gasoline Engines" in the yellow pages of the telephone directory.

See the "Wheel And Tire Parts List" page.

WHEELS AND TIRES

Look at the illustrations. Select the wheel and the tire you want and order from the following chart.



WHEEL SIZE & TYPE	A	B	C	D
6-inch Plastic, White	672788	----	----	----
6-inch Plastic, Gray	672789	----	----	----
7-inch Plastic, White	020270	----	----	----
7-inch Plastic, Gray	071597	----	----	----
8-inch Plastic, White	020271	----	----	----
8-inch Plastic, Gray	672060	071132	----	----
8-inch Ball Bearing, Gray	----	071134	----	----
14-inch, Gray	----	----	672074	071841
14-in, Ball Bearing, Gray	----	----	672062	071840