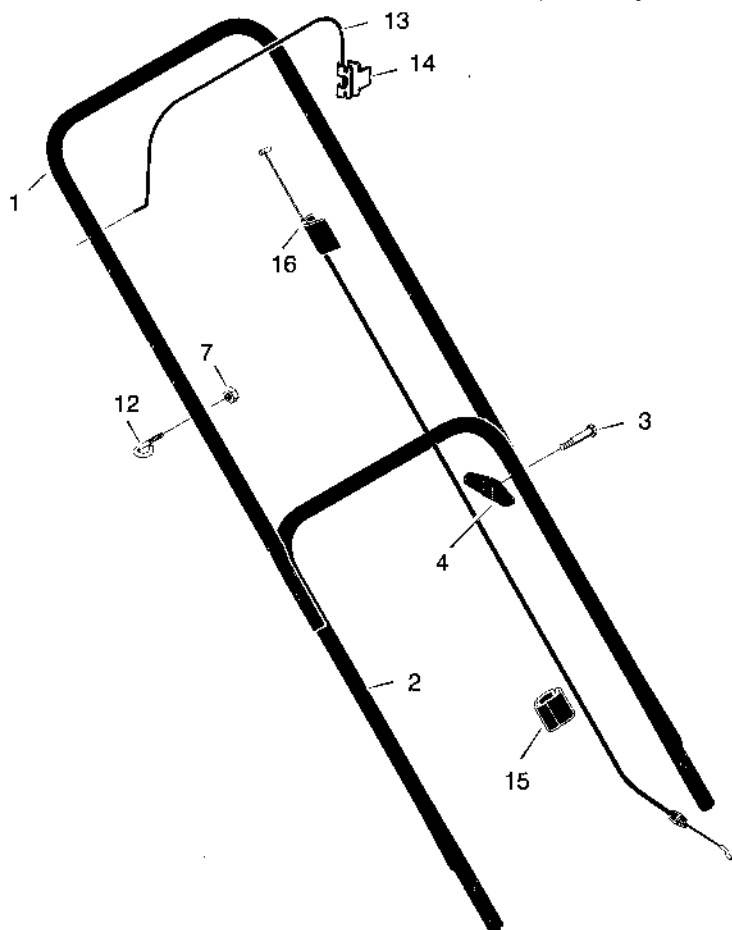


HANDLE - BRIGGS & STRATTON MODELS

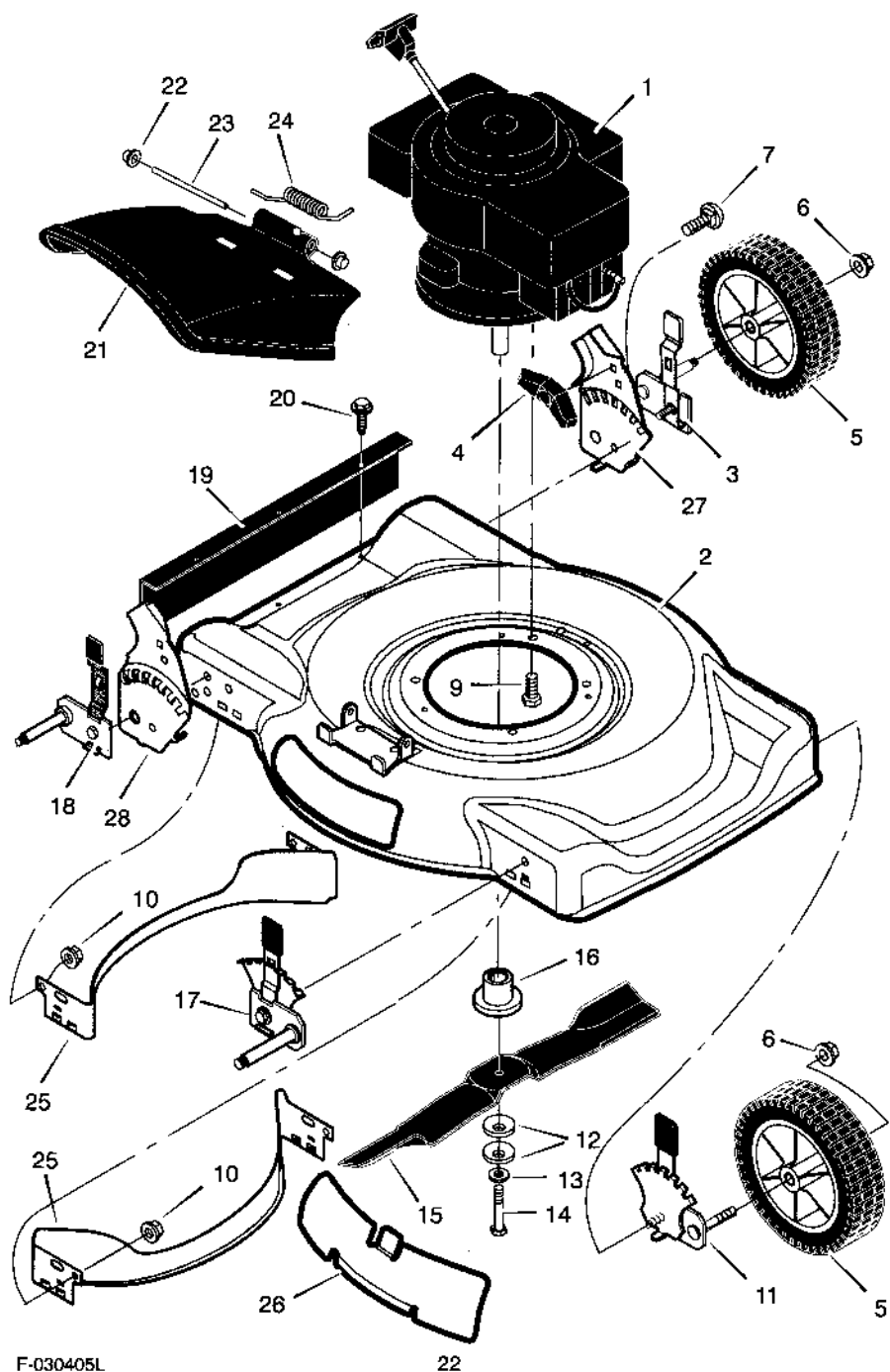


KEY NO.	DESCRIPTION	PART NO.	KEY NO.	DESCRIPTION	PART NO.
1	Handle, Upper (Black)	1101556E701	12	Guide, Rope	71530
	Handle, Upper (Gray)	1101556E724	13	Engine Stop Lever	43653E700
2	Handle, Lower (Black)	71137E701	14	Bracket, Stop Lever	1101454
	Handle, Lower (Gray)	71137E724	15	Fastener, Cable	1101353
3	Bolt	2x77	16	Engine Stop Cable *	672840
4	Knob, Plastic	71294		Engine Stop Cable #	1101181
7	Locknut	15x116			

* Used on Briggs & Stratton Classic, Sprint, and Quattro, Q-Style and QS-Style engines.

Used on Briggs & Stratton Quantum engines.

MODELS WITH STANDARD WHEELS



MODELS WITH STANDARD WHEELS

KEY NO.	DESCRIPTION	PART NO.
1	Engine ‡	-----
2	Housing	776022
3	Height Adjuster, Left Rear (8" Wheels)	672641
	Height Adjuster, Left Rear (7" Wheels)	672637
4	Knob	71495
5	Wheel and Tire #	672060
6	Locknut, Flange	15x84
7	Bolt, Carriage	2x81
9	Bolt, Engine	25x6
10	Nut	15x68
11	Height Adjuster, Left Front (8" Wheels)	672601
	Height Adjuster, Left Front (7" Wheels)	672635
12	Washer, Belleville	17x137
13	Washer	17x124
14	Bolt, Hex	1x142
15	Blade, Side Discharge	42225E701
	Blade, Mulcher	1101120E701
16	Adapter, Blade	71056
17	Height Adjuster, Right Front (8" Wheels)	672600
	Height Adjuster, Right Front (7" Wheels)	672634
18	Height Adjuster, Right Rear (8" Wheels)	672640
	Height Adjuster, Right Rear (7" Wheels)	672636
19	Guard, Rear	672738
20	Screw	26x245
21	Deflector, Chute	672421
22	Push-On Cap	28x42
23	Pin, Pivot	215x11 Z
24	Spring	166x5
25	Baffle - <i>Optional Accessory</i>	672744E701
26	Plate, Mulcher - <i>Optional Accessory</i>	672422 Z
27	Bracket, Left Handle	1101303E700
28	Bracket, Right Handle	1101302E700
-	Book, Instruction	F-030405L

‡ Parts are available from an Authorized Engine Service Center. See "Engines, Gasoline" or "Gasoline Engines" in the yellow pages of the telephone directory.

See the "Wheel And Tire Parts List" page.