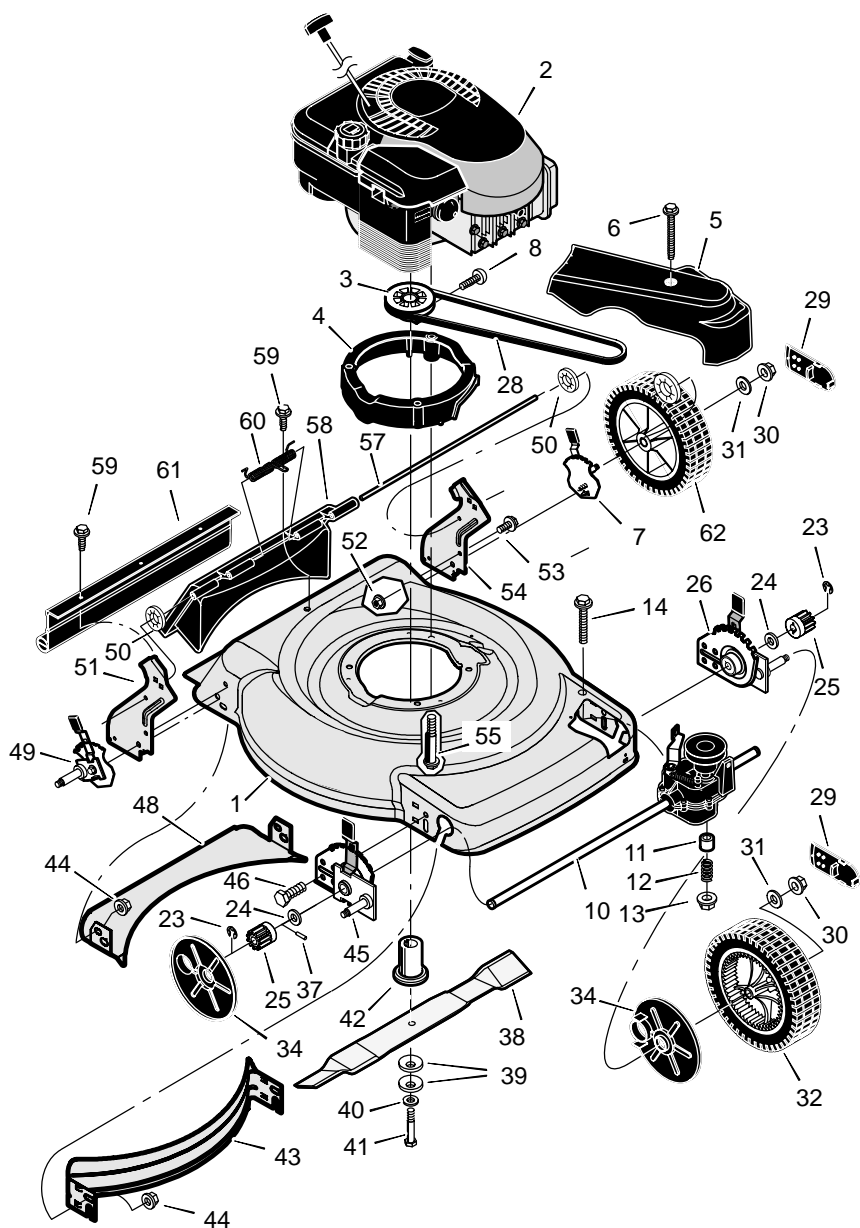


MULCHER MODELS



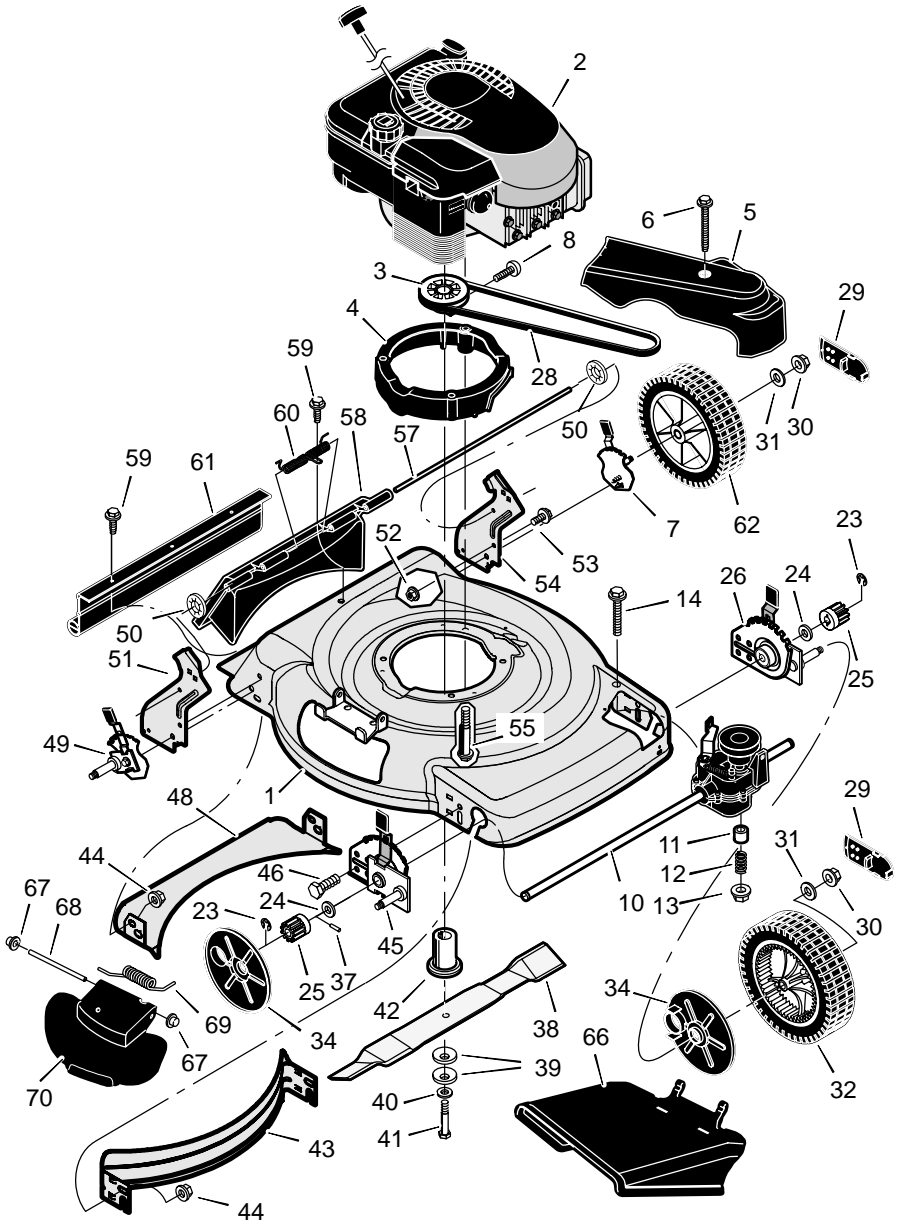
MULCHER MODELS

KEY NO.	PART NO.	DESCRIPTION	KEY NO.	PART NO.	DESCRIPTION
1	1101340E717	Housing	37	043629	Pin, Drive
2	-----	Engine *	38	1101120E701	Blade
3	1101653	Pulley, Drive	39	17x137	Washer, Belleville
4	1101331	Spacer, Engine (Black)	40	17x124	Washer
	1101332	Spacer, Engine (Gray)	41	01x144	Bolt
5	1101596	Cover, Belt (Black)	42	1101336	Adapter, Blade
	1101568	Cover, Belt (Gray)	43	672915E700	Baffle, Front **
6	26x304	Screw	44	015x68	Nut, Flange
7	672605	Adjuster, Left Rear Height	45	1101028	Adjuster, Right Front Height
8	26x303	Screw	46	001x85	Bolt
10	1101571	Transmission - Note: There are no internal serviceable parts for the transmission.	48	672916E700	Baffle, Rear **
			49	672604	Adjuster, Right Rear Height
11	043844	Spacer	50	028x49	Retainer, Push
12	164x27	Spring, Compression	51	1101238E701	Bracket, Right Handle
13	015x88	Nut	52	015x79	Nut, Flange
14	01x156	Bolt	53	001x45	Bolt
23	011x16	E-Ring	54	1101239E701	Bracket, Left Handle
24	17x186	Washer	55	025x11	Bolt, Engine
25	071792	Gear, Pinion	57	215x21	Rod, Pivot
26	1101029	Adjuster, Left Front Height	58	672611	Door, Rear (Black)
				672713	Door, Rear (Gray)
28	37x123	Belt	59	26x245	Screw
29	672122	Cap, Hub	60	166x44	Spring
30	015x84	Nut, Flange	61	1101105	Guard, Rear
31	17x169	Washer	62	071132	Wheel & Tire, Rear
32	071133	Wheel & Tire, Front	--	F-040411L	Book, Instruction
34	071780	Cover, Dust			

* Parts are available from an Authorized Engine Service Center. See "Engines, Gasoline" or "Gasoline Engines" in the yellow pages of the telephone directory.

** Included with Housing, Key No. 1.

SIDE DISCHARGE MODELS



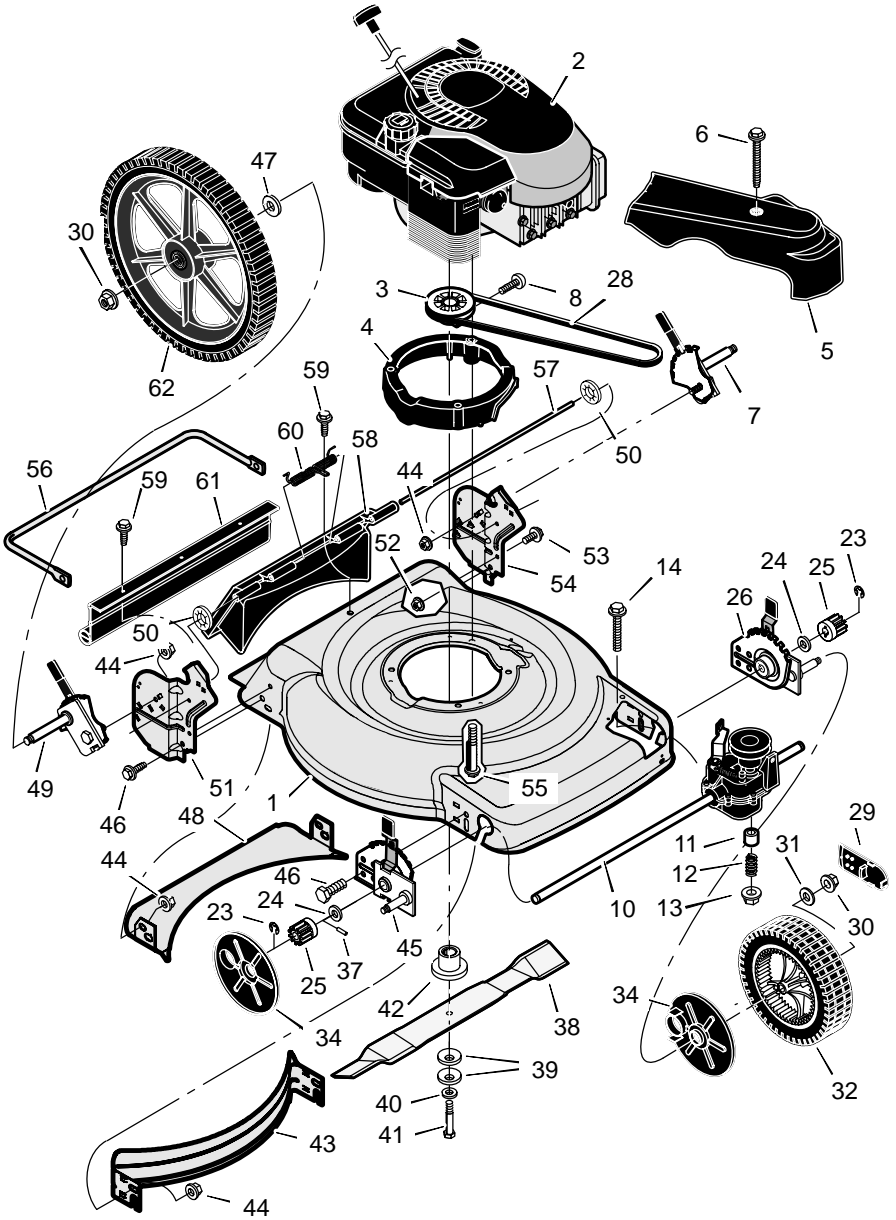
SIDE DISCHARGE MODELS

KEY NO.	PART NO.	DESCRIPTION	KEY NO.	PART NO.	DESCRIPTION
1	1101340E717	Housing	40	17x124	Washer
2	-----	Engine *	41	01x144	Bolt
3	1101653	Pulley, Drive	42	1101336	Adapter, Blade
4	1101331	Spacer, Engine (Black)	43	672915E700	Baffle, Front **
	1101332	Spacer, Engine (Gray)	44	015x68	Nut, Flange
5	1101596	Cover, Belt (Black)	45	1101028	Adjuster, Right Front Height
	1101568	Cover, Belt (Gray)	46	001x85	Bolt
6	26x304	Screw	48	672916E700	Baffle, Rear **
7	672605	Adjuster, Left Rear Height	49	672604	Adjuster, Right Rear Height
8	26x303	Screw	50	028x49	Retainer, Push
10	1101571	Transmission - Note: There are no internal serviceable parts for the transmission.	51	1101238E701	Bracket, Right Handle
			52	015x79	Nut, Flange
11	043844	Spacer	53	001x45	Bolt
12	164x27	Spring, Compression	54	1101239E701	Bracket, Left Handle
13	15x88	Nut	55	025x11	Bolt, Engine
14	01x156	Bolt	57	215x21	Rod, Pivot
23	011x16	E-Ring	58	672611	Door, Rear (Black)
24	17x186	Washer		672613	Door, Rear (Gray)
25	071792	Gear, Pinion	59	26x245	Screw
26	1101029	Adjuster, Left Front Height	60	166x44	Spring
			61	1101105	Guard, Rear
28	37x123	Belt	62	071132	Wheel & Tire, Rear
29	672122	Cap, Hub	66	1101097	Deflector, Chute (Black)
30	015x84	Nut, Flange		672917	Deflector, Chute (Gray)
31	17x169	Washer	67	028x42	Push On Cap
32	071133	Wheel & Tire, Front	68	215x19 Z	Rod, Pivot
34	071780	Cover, Dust	69	166x38	Spring, Torsion
37	043629	Pin, Drive	70	1101098	Cover, Mulch (Black)
38	1101120E701	Blade		672920	Cover, Mulch (Gray)
39	17x137	Washer, Belleville	--	F-040411L	Book, Instruction

* Parts are available from an Authorized Engine Service Center. See "Engines, Gasoline" or "Gasoline Engines" in the yellow pages of the telephone directory.

** Included with Housing, Key No. 1.

MULCHER MODELS WITH 14" REAR WHEELS



MULCHER MODELS WITH 14" REAR WHEELS

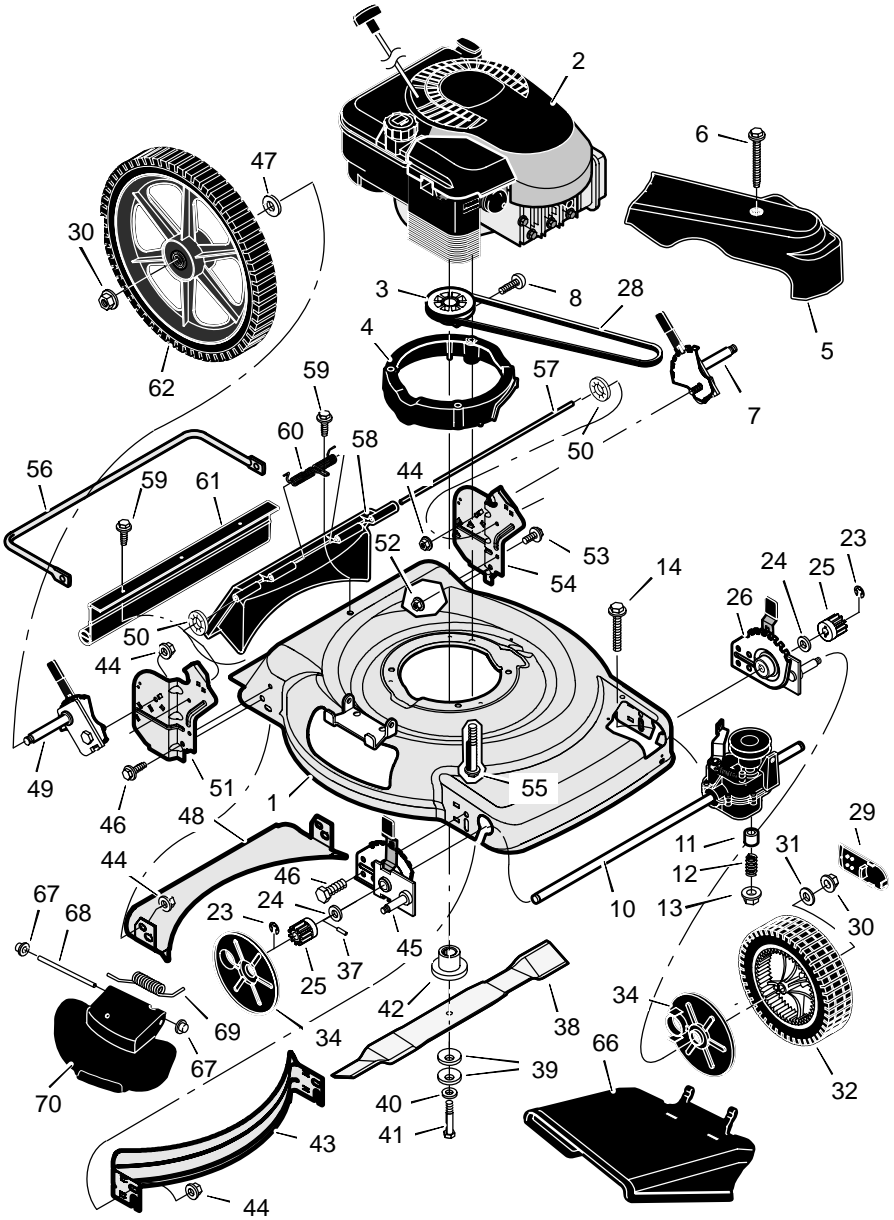
KEY NO.	PART NO.	DESCRIPTION	KEY NO.	PART NO.	DESCRIPTION
1	-----	Housing	38	1101120E701	Blade
2	-----	Engine *	39	17x137	Washer, Belleville
3	1101653	Pulley, Drive	40	17x124	Washer
4	1101331	Spacer, Engine (Black)	41	01x144	Bolt
	1101332	Spacer, Engine (Gray)	42	1101336	Adapter, Blade
5	1101596	Cover, Belt (Black)	43	672915E700	Baffle, Front **
	1101568	Cover, Belt (Gray)	44	015x68	Nut, Flange
6	26x304	Screw	45	1101028	Adjuster, Right Front Height
7	672919	Adjuster, Left Rear Height	46	001x85	Bolt
8	26x303	Screw	47	0020x3	Washer
10	1101571	Transmission - Note: There are no internal serviceable parts for the transmission.	48	672916E700	Baffle, Rear **
			49	672918	Adjuster, Right Rear Height
11	043844	Spacer	50	028x49	Retainer, Push
12	164x27	Spring, Compression	51	1101244E701	Bracket, Right Handle
13	015x88	Nut	52	015x68	Nut, Flange
14	01x156	Bolt	53	001x85	Bolt
23	011x16	E-Ring	54	1101245E701	Bracket, Left Handle
24	17x186	Washer	55	025x11	Bolt, Engine
25	071792	Gear, Pinion	56	1101008E701	Brace
26	1101029	Adjuster, Left Front Height	57	215x21	Rod, Pivot +
28	37x123	Belt	58	1101070	Door, Rear (Black)
29	672122	Cap, Hub		672613	Door, Rear (Gray)
30	015x84	Nut, Flange	59	26x245	Screw
31	17x169	Washer	60	166x44	Spring +
32	071133	Wheel & Tire, Front	61	672684	Guard, Rear
34	071780	Cover, Dust	62	071841	Wheel & Tire, Rear
37	043629	Pin, Drive	--	F-040411L	Book, Instruction

* Parts are available from an Authorized Engine Service Center. See "Engines, Gasoline" or "Gasoline Engines" in the yellow pages of the telephone directory.

** Included with Housing, Key No. 1.

+ Included with Key No. 58.

SIDE DISCHARGE MODELS WITH 14" REAR WHEELS



SIDE DISCHARGE MODELS WITH 14" REAR WHEELS

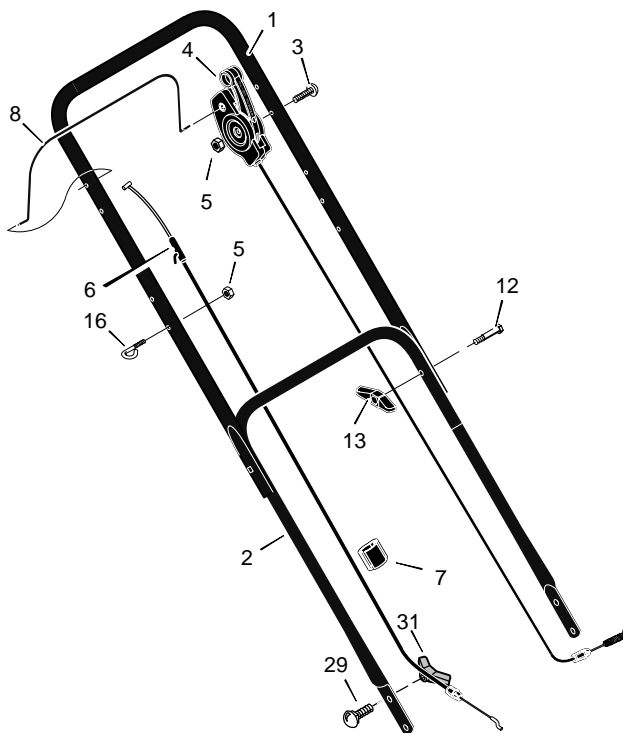
KEY NO.	PART NO.	DESCRIPTION	KEY NO.	PART NO.	DESCRIPTION
1	1101340E717	Housing	41	01x144	Bolt
2	-----	Engine *	42	1101336	Adapter, Blade
3	1101653	Pulley, Drive	43	672915E700	Baffle, Front **
4	1101331	Spacer, Engine (Black)	44	015x68	Nut, Flange
	1101332	Spacer, Engine (Gray)	45	1101028	Adjuster, Right Front Height
5	1101596	Cover, Belt (Black)	46	001x85	Bolt
	1101568	Cover, Belt (Gray)	47	0020x3	Washer
6	26x304	Screw	48	672916E700	Baffle, Rear **
7	672919	Adjuster, Left Rear Height	49	672918	Adjuster, Right Rear Height
8	26x303	Screw	50	028x49	Retainer, Push
10	1101571	Transmission - Note: There are no internal serviceable parts for the transmission.	51	1101244E701	Bracket, Right Handle
11	043844	Spacer	52	015x68	Nut, Flange
12	164x27	Spring, Compression	53	001x85	Bolt
13	015x88	Nut	54	1101245E701	Bracket, Left Handle
14	01x156	Bolt	55	025x11	Bolt, Engine
23	011x16	E-Ring	56	1101008E701	Brace
24	17x186	Washer	57	215x21	Rod, Pivot +
25	071792	Gear, Pinion	58	1101070	Door, Rear (Black)
26	1101029	Adjuster, Left Front Height		672613	Door, Rear (Gray)
28	37x123	Belt	59	26x245	Screw
29	672122	Cap, Hub	60	166x44	Spring +
30	015x84	Nut, Flange	61	672684	Guard, Rear
31	17x169	Washer	62	071841	Wheel & Tire, Rear
32	071133	Wheel & Tire, Front	66	1101097	Deflector, Chute (Black)
34	071780	Cover, Dust		672917	Deflector, Chute (Gray)
37	043629	Pin, Drive	67	028x42	Push On Cap
38	1101120E701	Blade	68	215x19 Z	Rod, Pivot
39	17x137	Washer, Belleville	69	166x38	Spring, Torsion
40	17x124	Washer	70	1101098	Cover, Mulch (Black)
				672920	Cover, Mulch (Gray)
			--	F-040411L	Book, Instruction

* Parts are available from an Authorized Engine Service Center. See "Engines, Gasoline" or "Gasoline Engines" in the yellow pages of the telephone directory.

** Included with Housing, Key No. 1.

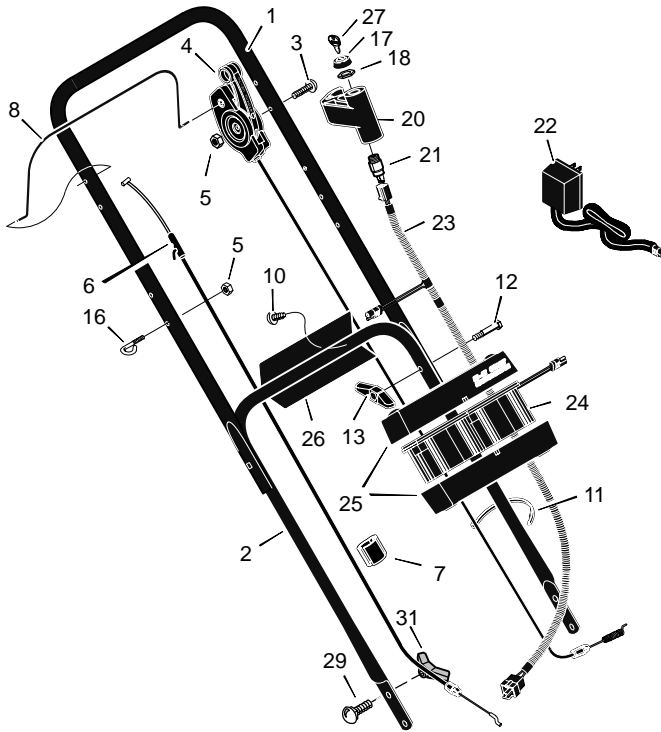
+ Included with Key No. 58.

HANDLE - RECOIL-START MODELS



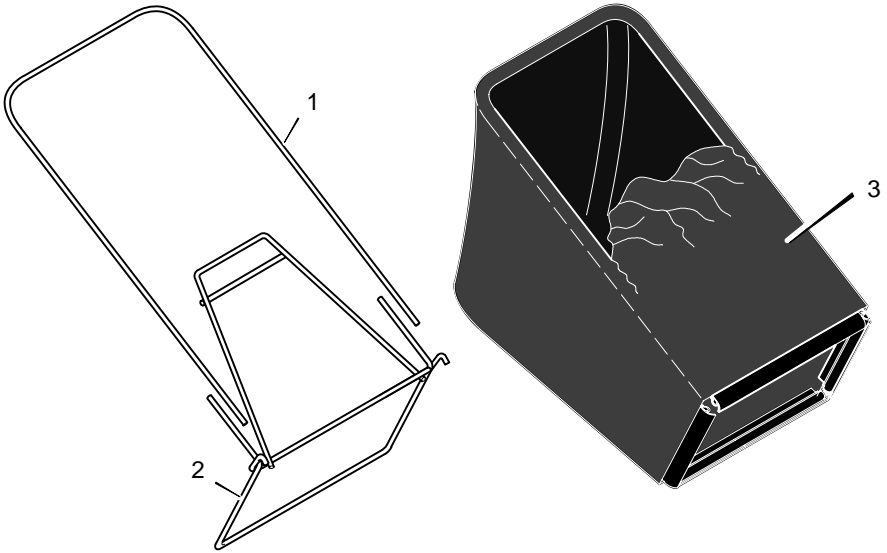
KEY NO.	PART NO.	DESCRIPTION	KEY NO.	PART NO.	DESCRIPTION
1	1101557E701 1101557E724	Handle, Upper (Black) Handle, Upper (Gray)	7	1101353	Fastener, Double Cable
2	672906E701 672906E724	Handle, Lower (Black) Handle, Lower (Gray)	8	1101076E701	Lever, Stop
3	025x14	Bolt	12	002x77	Bolt
4	1101670	Control, Drive	13	071294	Knob
5	15x116	Locknut	16	071530	Guide, Rope
6	1101365 1101366	Cable, Stop (Briggs) Cable, Stop, (Tecumseh)	29	002x81	Bolt, Carriage
			31	071495	Knob, Plastic

HANDLE - ELECTRIC-START MODELS



KEY NO.	PART NO.	DESCRIPTION	KEY NO.	PART NO.	DESCRIPTION
1	1101557E701	Handle, Upper (Black)	16	071530	Guide, Rope
	1101557E724	Handle, Upper (Gray)	17	091488	Cap
2	672907E701	Handle, Lower (Black)	18	091489	Nut
	672907E724	Handle, Lower (Gray)	20	1101602	Cover, Ignition
3	025x14	Bolt	21	776011	Switch Ignition & Key
4	1101670	Control, Drive	22	671992	Charger, Battery
5	15x116	Locknut	23	250x110	Harness, Wiring
6	1101365	Cable, Stop (Briggs)	24	776014	Battery
	1101366	Cable, Stop (Tecumseh)	25	776013	Case, Battery
7	1101353	Fastener, Double Cable	26	671959E701	Bracket, Battery
8	1101076E701	Lever, Stop	27	672220	Key, Ignition
10	26x220	Screw	29	002x81	Bolt, Carriage
11	071372	Fastener, Cable	31	071495	Knob, Plastic
12	002x77	Bolt			
13	071294	Knob			

GRASS BAG



KEY NO.	PART NO.	DESCRIPTION
1	1101075	Tube, Bag
2	1101074	Frame Assembly
3	1101005	Bag, Cloth