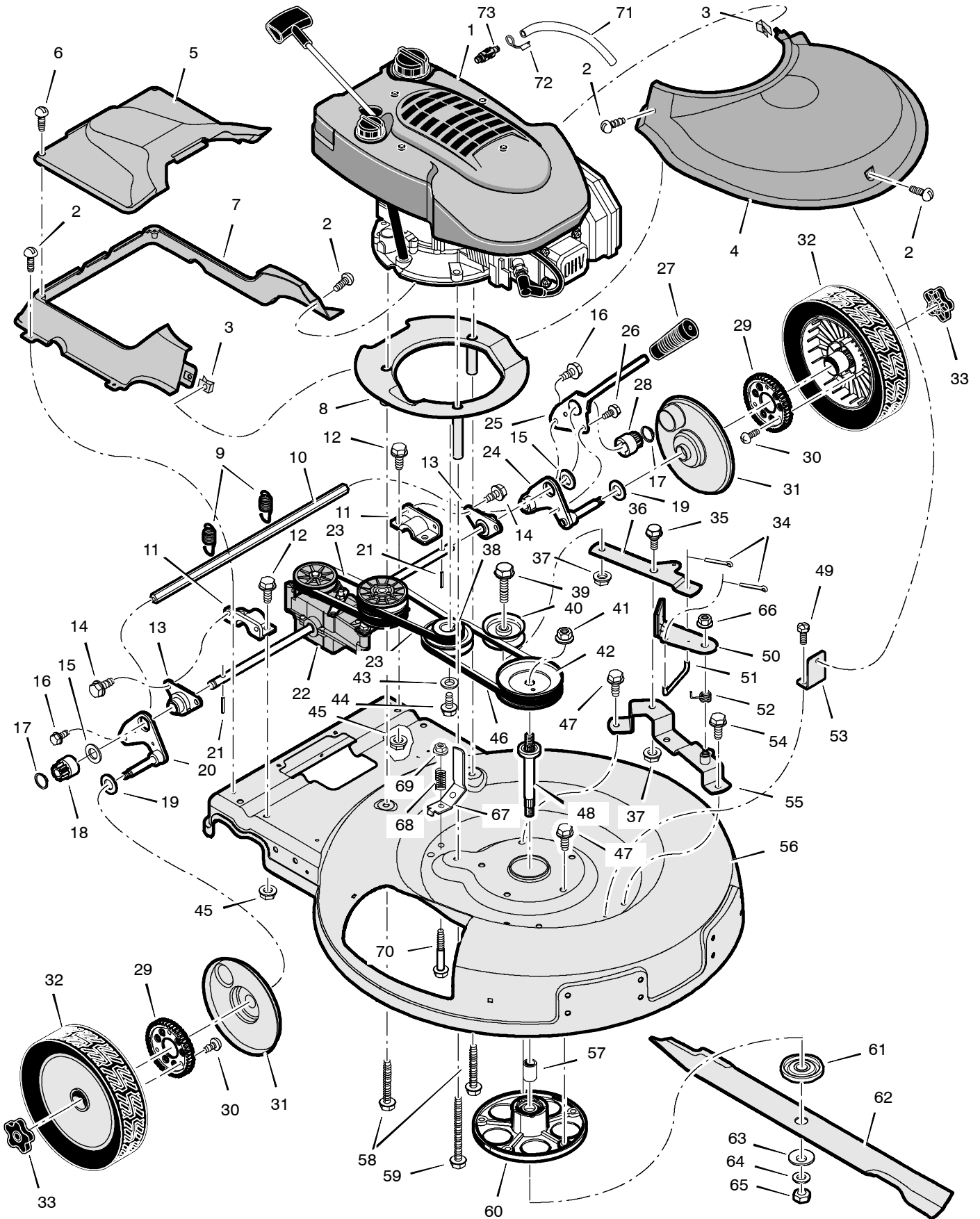


# MODEL 261031x692B

# REPAIR PARTS DRIVE ASSEMBLY



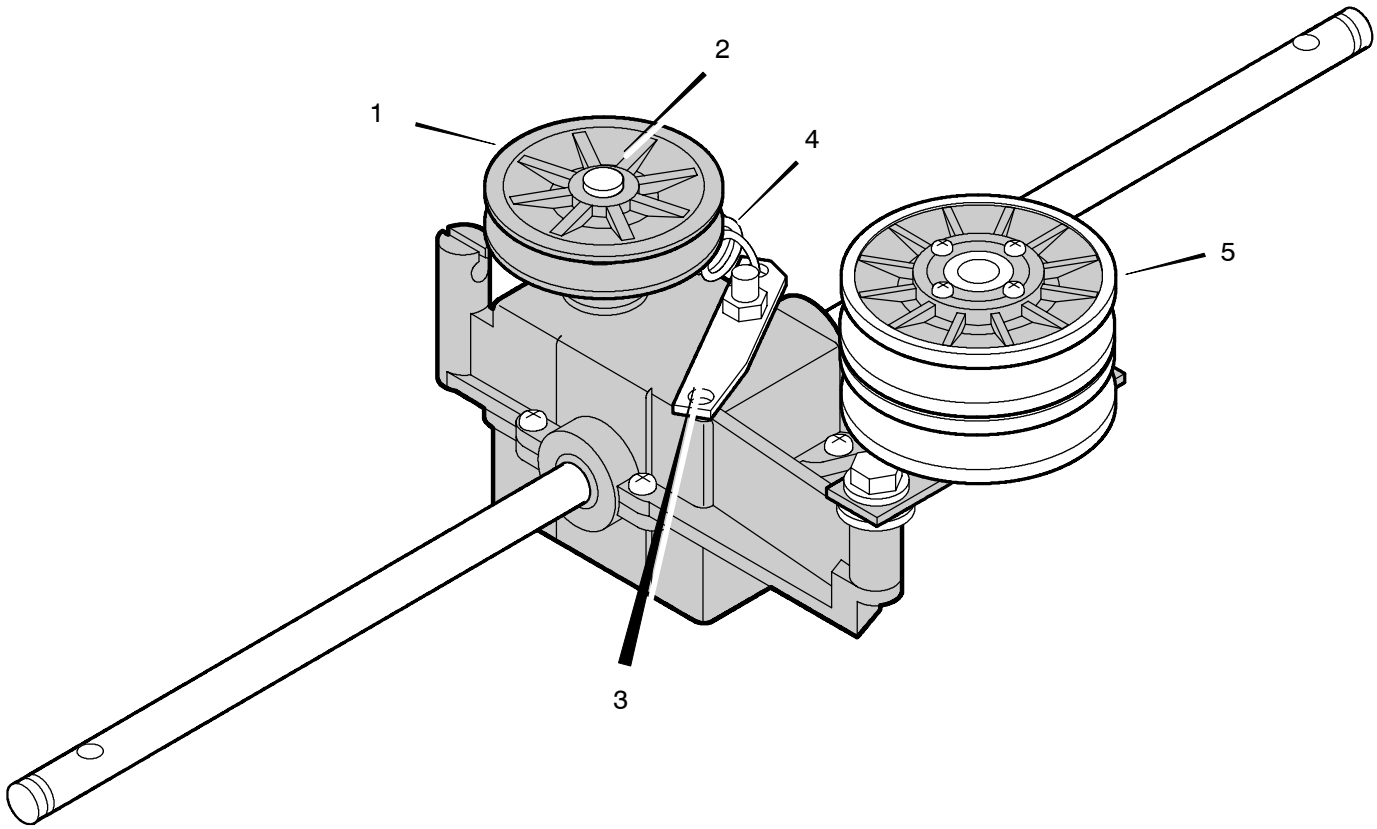
# MODEL 261031x692B

# REPAIR PARTS DRIVE ASSEMBLY

Key No.	Description	Part No.	Key No.	Description	Part No.
1	Engine *	- - - - -	38	Pulley, Engine	1101156
2	Screw	26x305	39	Screw	1x111
3	Tinnerman, "U"	28x75	40	Pulley, Idler	56526
4	Cover, Front	1101164	41	Nut, Blade Pulley	15x121
5	Cover, Transmission	1101166	42	Pulley, Blade	1101191
6	Screw	26x300	43	Washer, Split	18x31
7	Cover, Rear	1101165	44	Screw	710163
8	Base Assembly, Engine	1101187-846	45	Nut	45171
9	Spring, Extension	165x151	46	Belt, Blade Drive	7769208
10	Crossbar, Rear	1101207	47	Bolt	25X10
11	Bearing, Axle Support	1101148	48	Jackshaft	1101193
12	Screw	1x85	49	Screw	26x233
13	Retainer Assembly, Axle Bearing	1101189	50	Brake Assembly, Blade	1101190
14	Screw	710277	51	Link, Blade Brake	1101196
15	Washer, Thrust	17x186	52	Spring, Torsion	166x27
16	Screw	710312	53	Bracket, Front Cover	1101205-884
17	Retainer Ring	11x29	54	Screw	26x214
18	Gear, Right Pinion	1101152	55	Support Assembly, Idler & Brake	1101230 Z
19	Washer, Spring	20x3	56	Housing	1101221-884
20	Bracket Assembly, Right Axle	1101235	57	Spacer, Jackshaft	1101194
21	Pin, Drive	43629	58	Bolt, Short Engine Mount	25x17
22	Transmission (See Transmission Page)	- - - - -	59	Bolt, Long Engine Mount	25x18
23	Belt, Transmission	7769225	60	Mandrel Assembly	7769227
24	Bracket Assembly, Left Axle	1101234	61	Adapter, Blade	7769226
25	Lever, Spring Height Adjuster	1101192	62	Blade	7769202
26	Screw, Tap	26x263	63	Washer, Cup **	17x166
27	Knob, Height Adjuster	671297	64	Washer **	17x165
28	Gear, Left Pinion	1101153	65	Nut, Blade Mount **	15x100
29	Gear	1101211	66	Nut	15x88
30	Screw, Tap	26x296	67	Guide, Belt	1101466 Z
31	Cover, Dust	1101163	68	Spring	164x1
32	Wheel, Drive	1101415	69	Nut	15x79
33	Knob, Axle	672449	70	Bolt	1x75
34	Pin, Cotter	30x1	71	Tube, Oil Drain	1101438
35	Bolt, Shoulder	710200	72	Cap, Oil Drain	327422
36	Idler Arm	1101174 Z	73	Valve, Oil Drain	325547
37	Nut, Flange	15x84	- -	Instruction Book	F-0204321M

\*\* These parts are oincluded with Key 61.

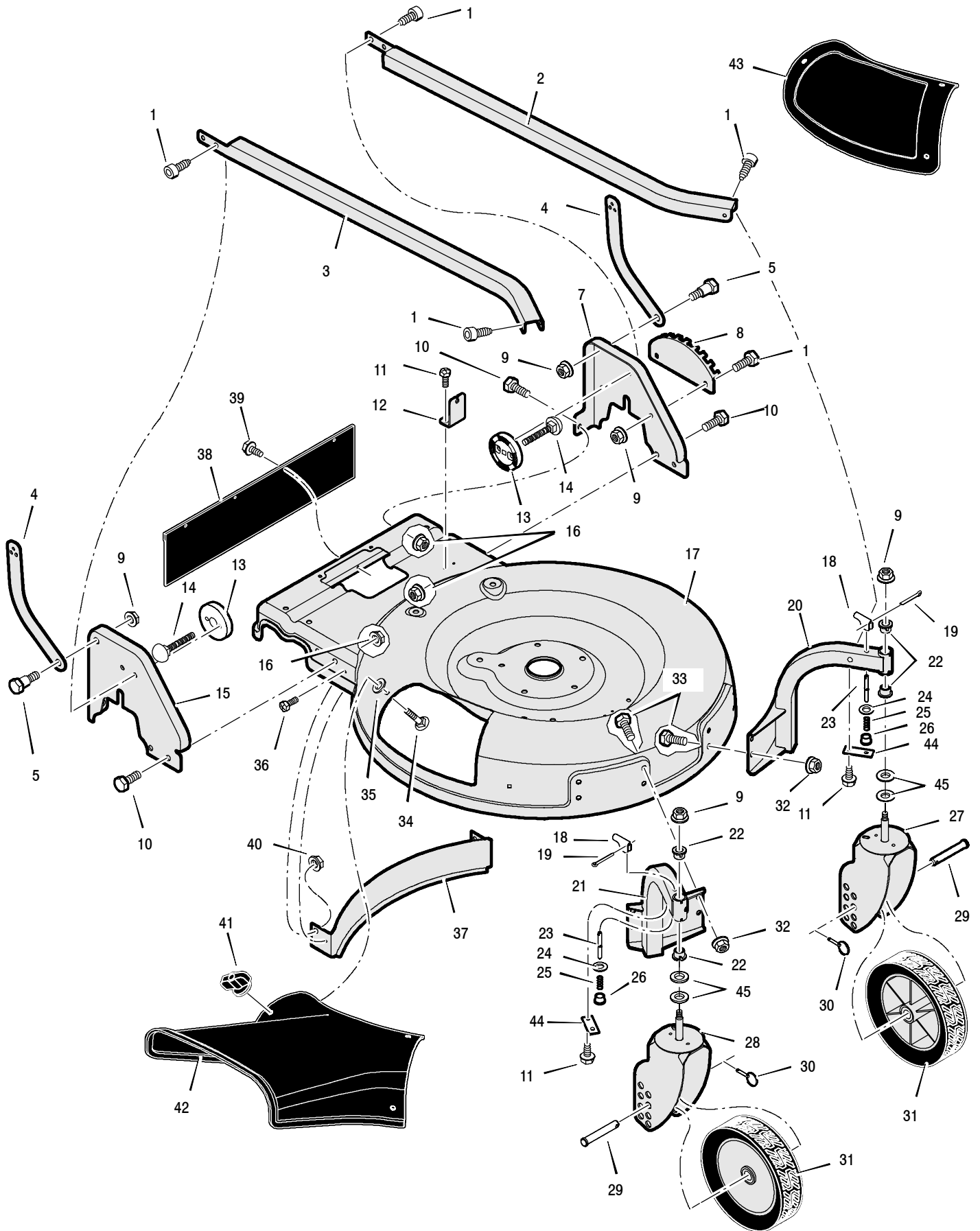
\* Parts are available from a Authorized Engine Service Center. See "Engines, Gasoline" or "Gasoline Engines" in the yellow pages of the telephone directory.



Key No.	Description	Part No.
1	Pulley	7501007
2	Attachment Pin, Pulley	7501008
3	Clutch Lever Assembly	7501009
4	Spring, Clutch Return	7501010
5	Variator Assembly	7501011
--	Transmission Assembly <b>Note: There are no internal serviceable parts for the transmission.</b>	1101233

# MODEL 261031x692B

# REPAIR PARTS CASTER ASSEMBLY



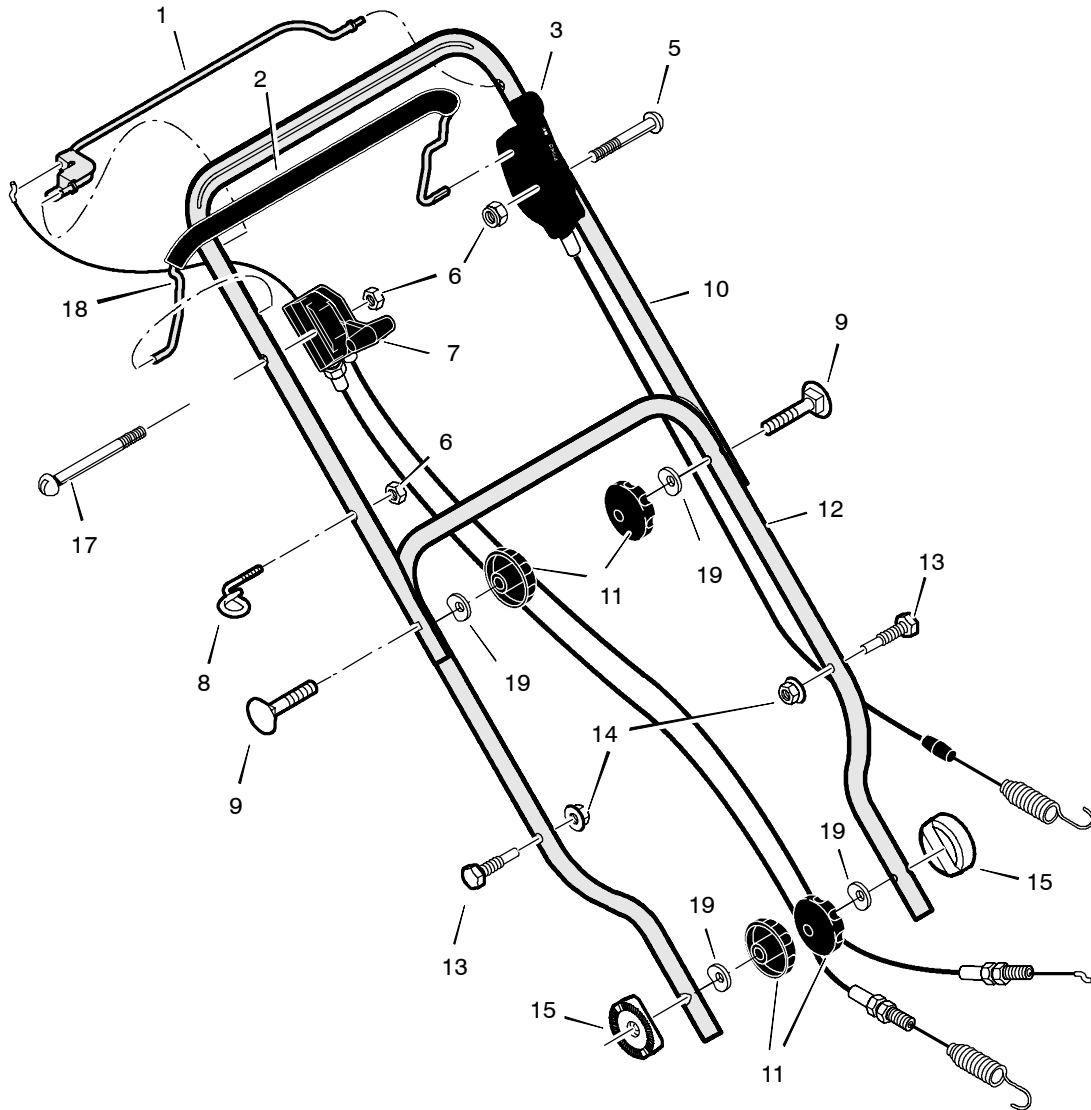
# MODEL 261031x692B

# REPAIR PARTS CASTER ASSEMBLY

Key No.	Description	Part No.	Key No.	Description	Part No.
1	Screw	710277	26	Bushing	1101219
2	Brace, Left	1101204-846	27	Bracket Assembly, Left Wheel	1101381-884
3	Brace, Right	1101203-846	28	Bracket Assembly, Right Wheel	1101382-884
4	Support, Handle	1101229-846	29	Axle, Caster	1101224
5	Bolt, Shoulder	710200	30	Pin, Cotterless Hitch	1101225
7	Bracket, Left Handle	1101168-884	31	Wheel and Tire	1101416
8	Plate, Index	1101206-884	32	Nut, Flange	15x79
9	Nut, Flange	45171	33	Bolt, Hex	1x45
10	Screw	1x85	34	Bolt, Carriage	2x95
11	Screw	26x233	35	Retainer, Bolt	28x55
12	Bracket, Blade Drive Cable	1101213-884	36	Screw	26x293
13	Support, Handle Adjuster	1101155	37	Baffle, Rear	1101171-884
14	Bolt, Carriage	2x76	38	Deflector, Rear	1101200
15	Bracket, Right Handle	1101169-884	39	Screw	710271
16	Nut	45171	40	Nut	45171
17	Housing, Mower	1101221-884	41	Knob	1101222
18	Lever, Wheel Lock	1101167	42	Deflector, Chute	1101161
19	Pin, Cotter	30x20	43	Cover, Mulch	1101162
20	Bracket Assembly, Left Caster	1101184-884	44	Plate, Locking Arm	1101445 Z
21	Bracket Assembly, Right Caster	1101185-884	45	Washer	710245
22	Bearing	1101159	--	Decal, Warning	48x902
23	Rod, Wheel Lock	1101208	--	Decal, Stanley 26" Convertible	48x909
24	Washer	17x36	--	Decal, Cut Finger	48x978
25	Spring, Compression	164x35	--	Decal, Cut Height	48x965
			--	Decal, Cut Finger	48x962

# MODEL 261031x692B

# REPAIR PARTS HANDLE ASSEMBLY



Key No.	Description	Part No.	Key No.	Description	Part No.
1	Lever, Drive	1101188-884	11	Knob, Handle	1101453
2	Cover, Stop Lever	1101160	12	Handle, Lower	1101217-846
3	Control, Blade Drive	1101374	13	Bolt, Handle Support	1x183
5	Screw	3x144	14	Nut, Flange	15x79
6	Nut	15x116	15	Adjuster, Handle	1101154
7	Cable, Control -Speed Selector &	1101430	17	Bolt, Hex	1x93
8	Guide, Rope	672510	18	Lever, Bail Stop	1101212-884
9	Bolt, Carriage	710175	19	Washer, Formed	783000
10	Handle, Upper	1101218-846			