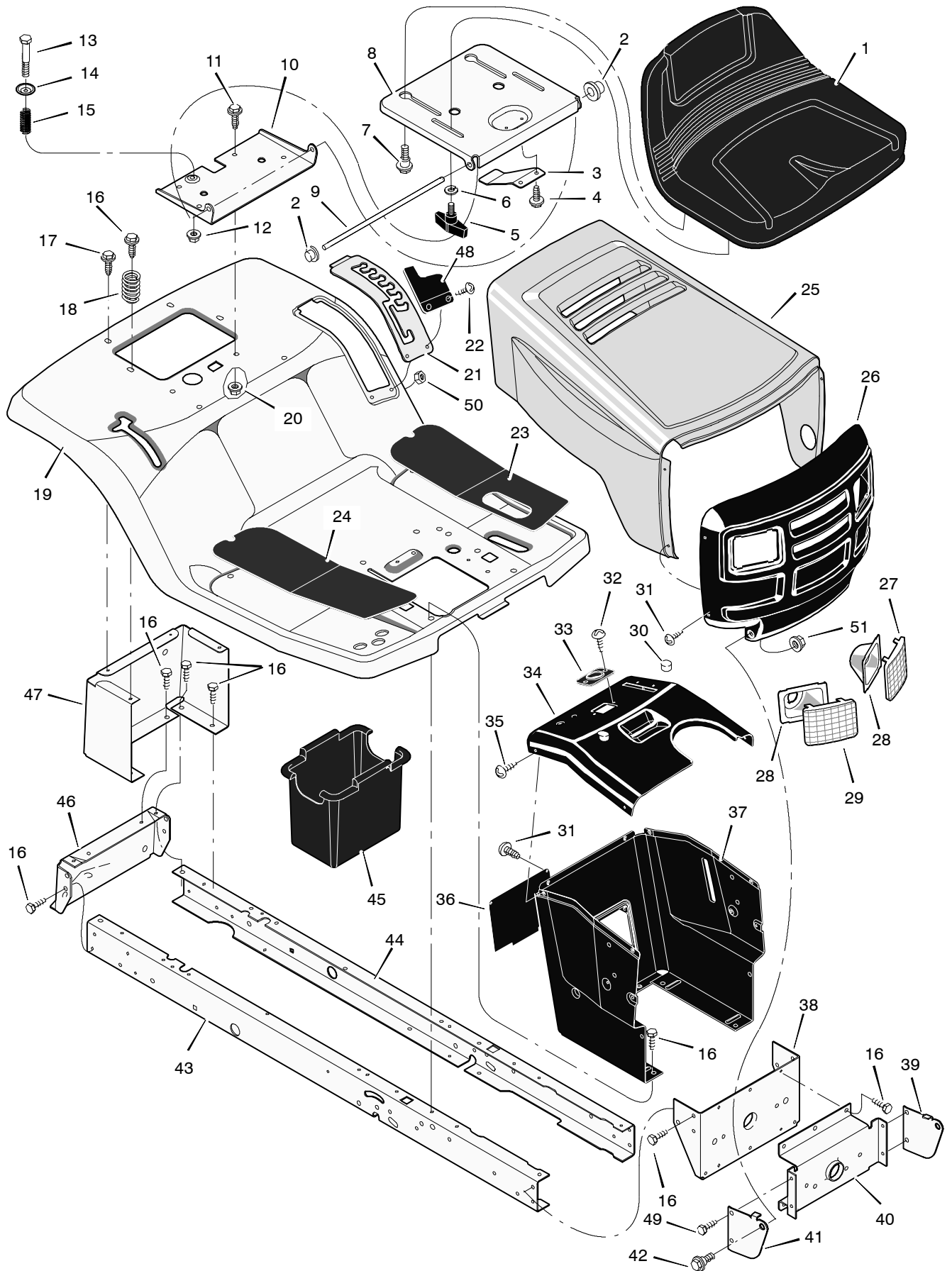


MODEL 405015x92B

REPAIR PARTS CHASSIS & HOOD



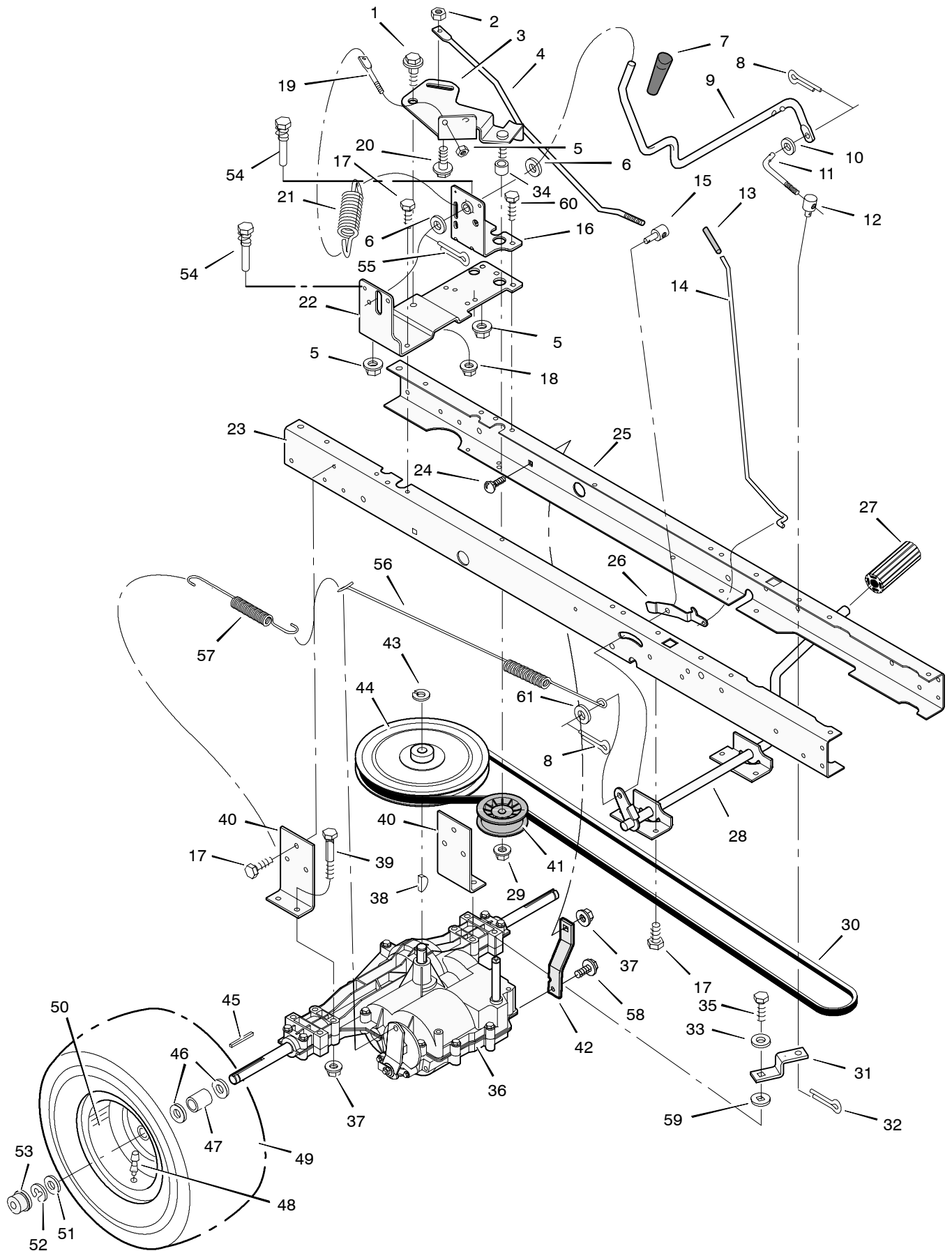
MODEL 405015x92B

REPAIR PARTS CHASSIS & HOOD

Key No.	Description	Part No.	Key No.	Description	Part No.
1	Seat	690566	27	Lens, Left	094081
2	Cap, Push On	028x23	28	Bezel	094807 Z
3	Spring	094057	29	Lens, Right	094080
4	Screw	26x229	30	Bumper	094744
5	Bolt, Wing	1001054	31	Screw	26x270
6	Washer	017x47 Z	32	Screw	26x238
7	Bolt, Shoulder	009x56	33	Bearing, Steering	094075
8	Support, Seat	094154E700	34	Dash	094074E700
9	Rod, Pivot	094156 Z	35	Screw	26x201
10	Bracket, Pivot	094153E700	36	Panel, Access	093007E700
11	Bolt	001x45	37	Support, Dash	095318E700
12	Nut	015x89	38	Bracket, Rear Hanger	1001270E700
13	Bolt, Shoulder	009x55	39	Support, Left Grille	094083E700
14	Washer	094155 Z	40	Axle, Hanger	094007E700
15	Spring	164x31	41	Support, Right Grille	094082E700
16	Screw	26x249	42	Bolt, Shoulder	009x58
17	Screw	26x263	43	Frame, Right	1001268E700
18	Spring	164x30	44	Frame, Left	1001269E700
19	Deck, Seat	095249E276	45	Container, Battery	690424
20	Nut	15x123	46	Plate, Hitch	1001002E700
21	Plate, Index	094151E700	47	Panel, Rear	690434E700
22	Screw	009x47	48	Cover, Detent	094610
23	Mat, Left	094999	49	Screw	26x277
24	Mat, Right	094998	50	Nut	015x81
25	Hood	690608E276	51	Nut	15x124
26	Grille	094079E700	--	Instruction Book & Parts List	F-020708L

MODEL 405015x92B

REPAIR PARTS MOTION DRIVE



MODEL 405015x92B

REPAIR PARTS TRANSMISSION

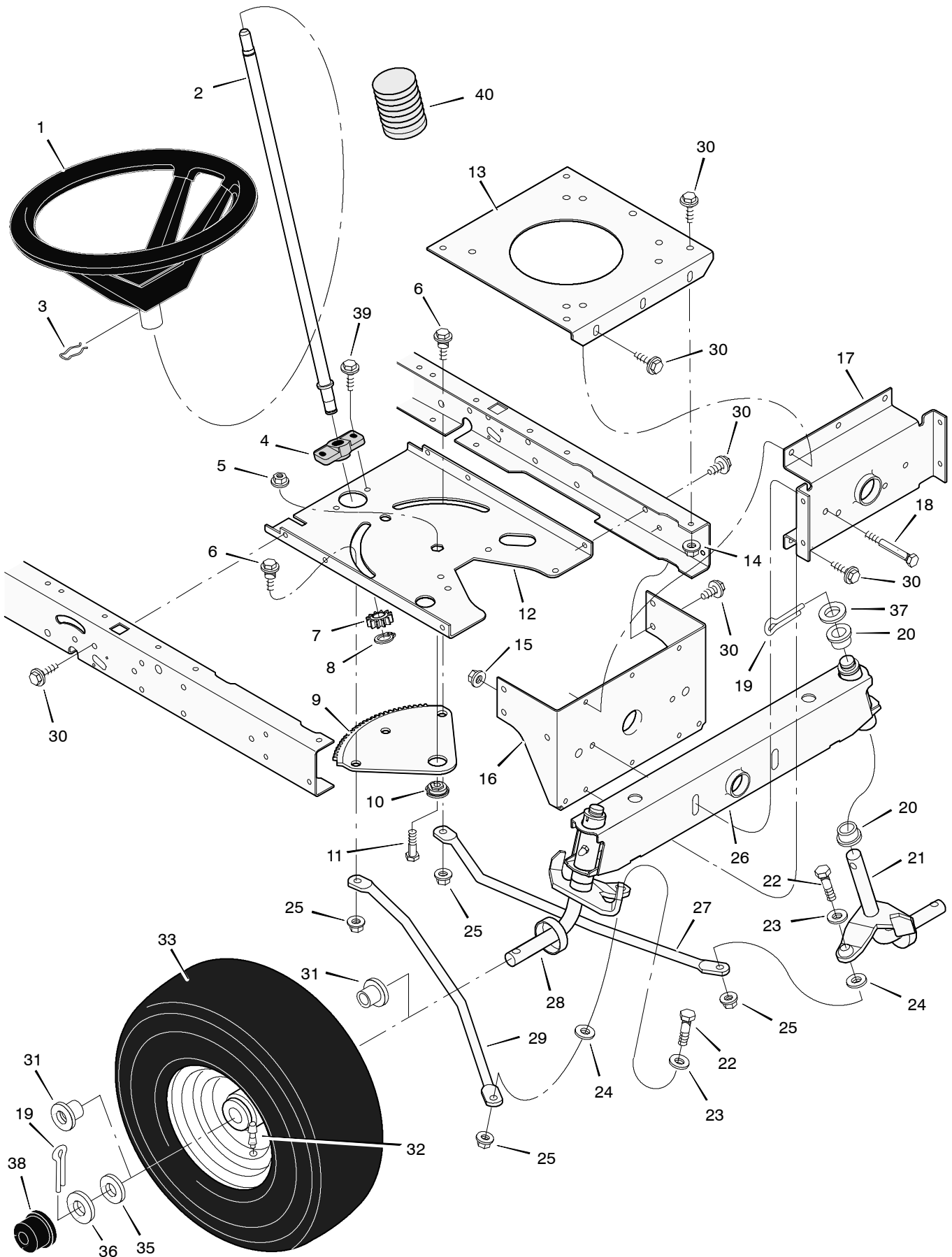
Key No.	Description	Part No.	Key No.	Description	Part No.
1	Bolt, Shoulder	009x39	32	Pin, Hair	0031x6
2	Nut, Hex	105x89	33	Washer	017x38
3	Arm, Idler	690173 Z	34	Spacer	690369
4	Rod, Clutch	094041 Z	35	Bolt	06x105
5	Nut	015x79	36	Transaxle **	----
6	Washer	17x102	37	Nut	015x88
7	Grip	092697	38	Key, Woodruff	020697
8	Pin, Cotter	030x20	39	Bolt	01x155
9	Lever, Shift	094043 Z	40	Bracket, Transaxle	094008E700
10	Washer	017x47 Z	41	Pulley	690409
11	Link, Shift	094044 Z	42	Bracket, Transaxle Support	094433
12	Nut, Adjuster	021920	43	E-Ring	0011x7
13	Grip	091079	44	Pulley, Drive	095094
14	Rod, Parking Brake	1001245 Z	45	Key, Square	021553
15	Nut, Adjuster	094815	46	Washer	17x160
16	Bracket, Shift Pivot	1001303 Z	47	Spacer, Transaxle	690554 Z
17	Screw	26x249	48	Stem, Valve	024373
18	Nut	015x84	49	Tire *	091923
19	Mount, Stud Spring	094042 Z	--	Tube	407049
20	Bolt, Shoulder	009x54	50	Wheel & Tire Assembly	092288-601
21	Spring, Extension	165x116	51	Washer	17x195
22	Bracket, Right Shifter	1001302E700	52	E-Ring	0011x3
23	Frame, Right	1001268E700	53	Hub Cap	094618
24	Bolt, Carriage	002x53	54	Guide, Belt	093349
25	Frame, Left	1001269E700	55	Pin, Hair	0031x4
26	Latch, Parking Brake	094045 Z	56	Spring, Extension	165x115
27	Pedal	021544	57	Spring, Extension	165x92
28	Lever, Brake/Clutch	094038E700	58	Screw	26x216
29	Nut	015x98	59	Washer	17x148
30	Belt, Motion Drive	037x87	60	Screw	26x267
31	Yoke, Shift	094031 Z	61	Washer	17x169

* When you order a tire, make sure to give the brand name of the tire so that the tread pattern on the tire will match.

** For information on Replacement Parts see the Central Parts Distributor in your area.

MODEL 405015x92B

REPAIR PARTS STEERING



MODEL 405015x92B

REPAIR PARTS STEERING

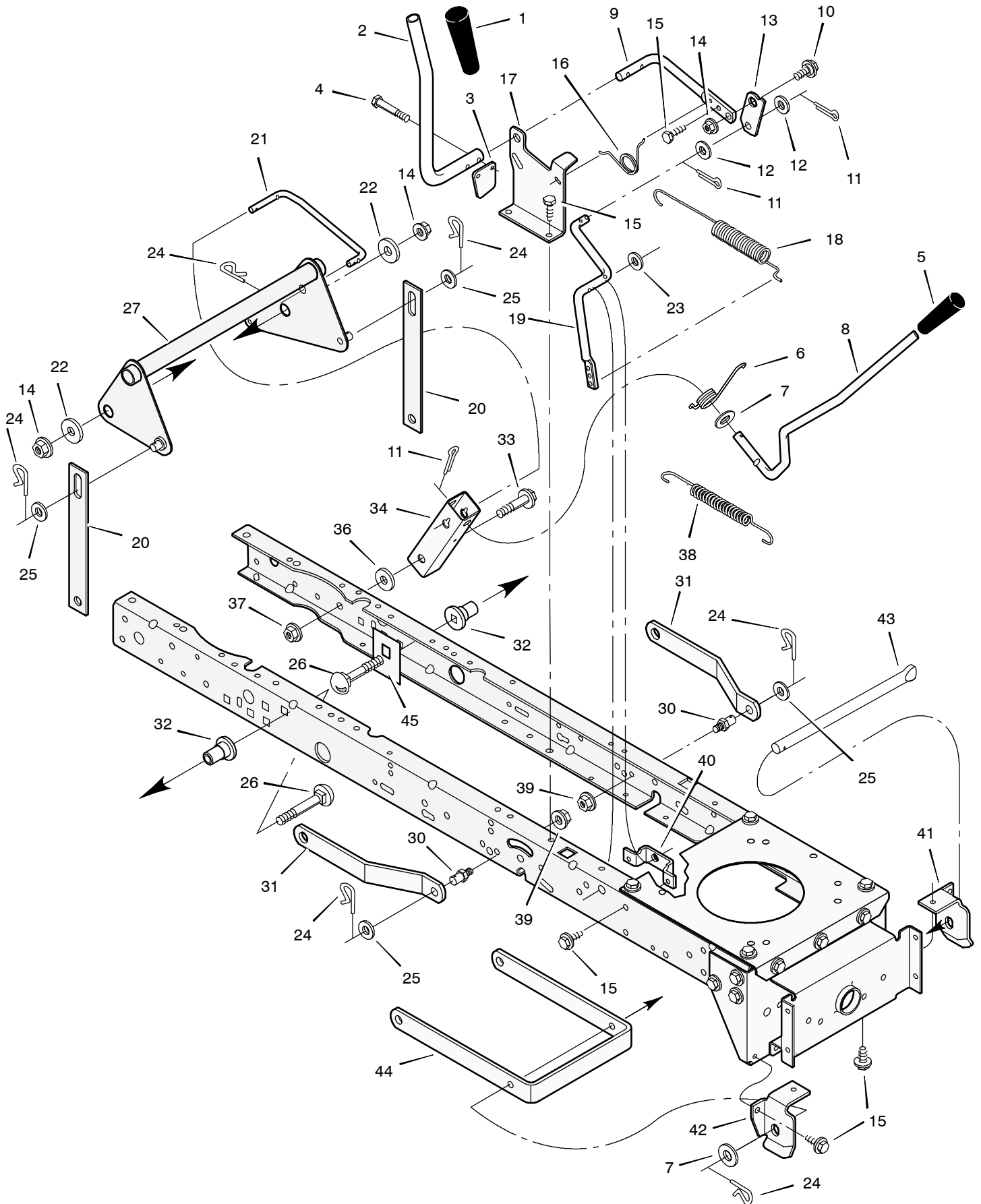
Key No.	Description	Part No.
1	Wheel, Steering	094134
2	Post, Steering	690625
3	Clip, Retainer	094131
4	Bearing * *	094124
5	Nut, Flange	15x111
6	Bolt, Shoulder	009x57
7	Gear, Pinion * *	690183
8	Ring, Snap * *	011x25
9	Gear, Sector	094121E700
10	Bearing	094123
11	Bolt	001x84
12	Plate, Steering	1001121E700
13	Plate, Engine	094006E700
14	Nut, Flange	015x88
15	Nut, Flange	15x118
16	Bracket, Hanger	1001270E700
17	Axle, Hanger	094007E700
18	Bolt	01x146
19	Pin, Cotter	030x49
20	Bearing	690150
21	Spindle Assembly, Left	094576E700
22	Bolt	01x111
23	Washer	17x104
24	Washer	017x53
25	Nut, Flange	105x84
26	Axle Assembly	690211E700
27	Drag Link, Left	095329E700
28	Spindle Assembly, Right	094575E700
29	Drag Link, Right	095328E700
30	Screw	26x249
31	Bearing, Wheel	091334
32	Stem, Valve	024373
33	Tire *	091912
--	Tube	407047
34	Wheel and Tire Assembly	094578-601
35	Washer	17x195
36	Washer	17x192
37	Washer	17x113
38	Hub Cap (Optional)	094618
39	Screw	26x267
40	Bellows (Optional)	092059

* When you order a tire, make sure to give the brand name of the tire so that the tread pattern on the tire will match.

* * These parts are included when ordering Key number 2.

MODEL 405015x92B

REPAIR PARTS MOWER HOUSING SUSPENSION



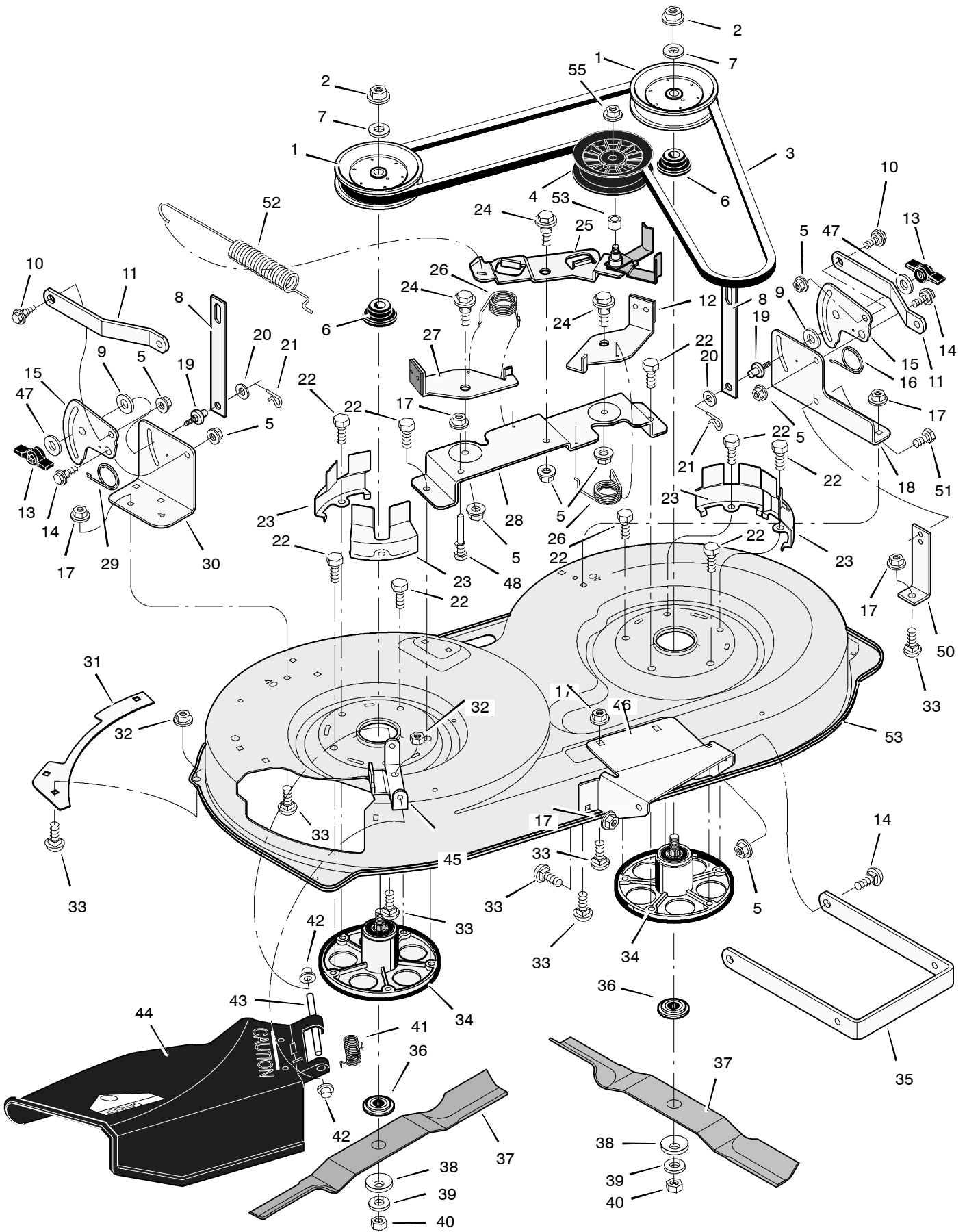
MODEL 405015x92B

REPAIR PARTS MOWER HOUSING SUSPENSION

Key No.	Description	Part No.	Key No.	Description	Part No.
1	Grip	092698	22	Washer	17x168
2	Handle	094157 Z	23	Washer	017x57
3	Pad, Switch	094022 Z	24	Pin, Hair	0031x4
4	Bolt	0025x3	25	Washer	017x91 Z
5	Grip	092697	26	Bolt, Carriage	002x85
6	Spring	166x40	27	Lever Assembly, Lift	1001111E700
7	Washer	17x103	30	Pin	094067
8	Handle, Lift	690533	31	Bracket, Rear Suspension	094055E700
9	Lever, PTO	094017 Z	32	Spacer, Lifter	690151
10	Bolt, Shoulder	009x39	33	Bolt, Shoulder	009x53
11	Pin, Cotter	30x20	34	Bracket, Pivot	094015E700
12	Washer	017x57	36	Washer	17x191
13	Link, PTO	094004 Z	37	Nut, Flange	015x84
14	Nut, Flange	015x84	38	Spring	165x131
15	Screw	26x249	39	Nut, Flange	015x68
16	Spring	166x39	40	Bracket, PTO	094005E700
17	Bracket, PTO	094018E700	41	Hanger, Left Deck	094027E700
18	Spring	165x119	42	Hanger, Right Deck	094026E700
19	Crank, PTO	690394E700	43	Rod, Hanger	094158 Z
20	Link, Lift	690212E700	44	Bracket, Suspension	690539E700
21	Link, Lift Handle	690122E700	45	Plate, Stiffening	1001098E700

MODEL 405015x92B

REPAIR PARTS MOWER HOUSING



MODEL 405015x92B

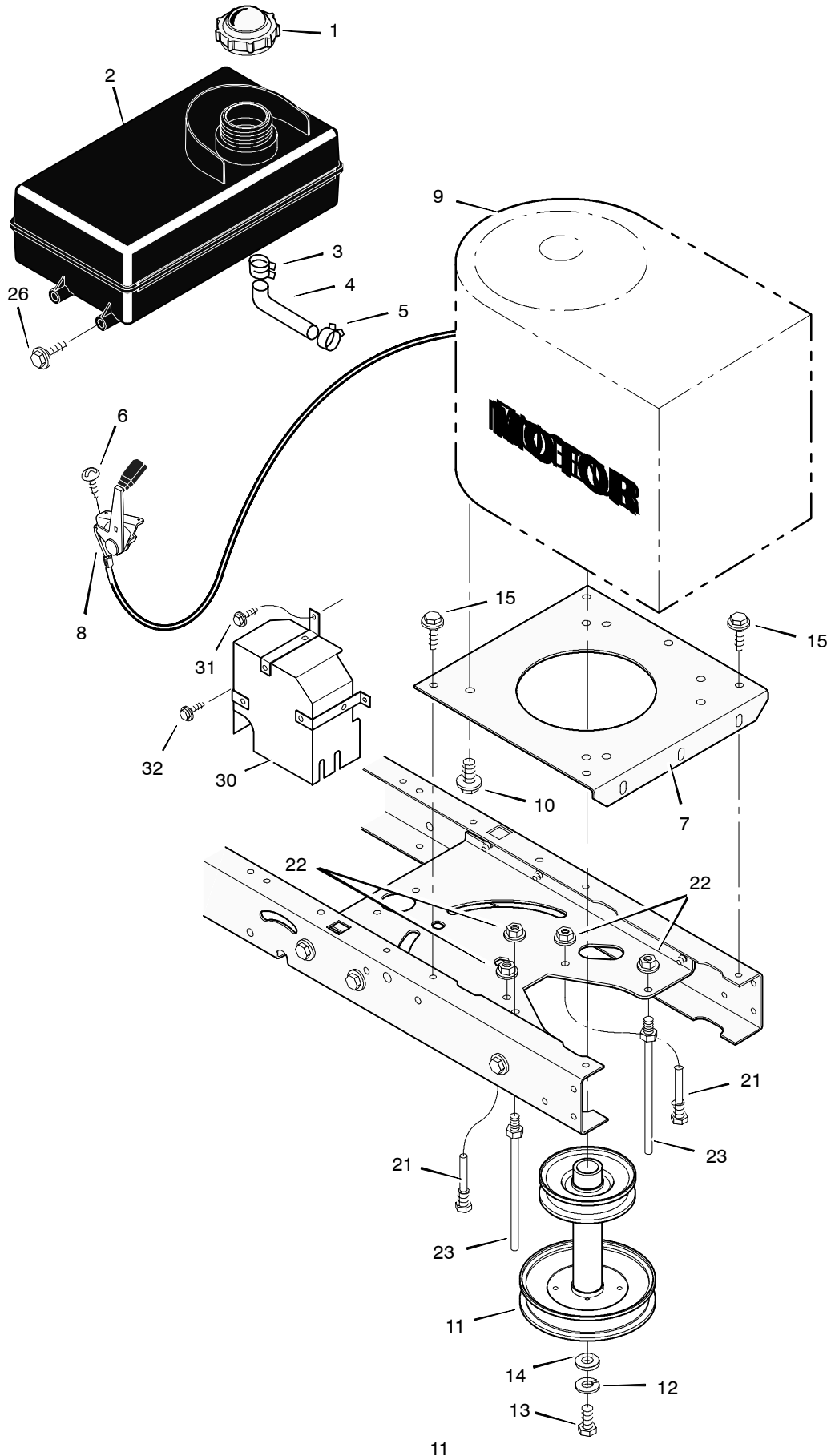
REPAIR PARTS MOWER HOUSING

Key No.	Description	Part No.	Key No.	Description	Part No.
1	Pulley, Jackshaft	092851	29	Spring	166x42
2	Nut, Hex	15x121	30	Bracket, Suspension	094142E700
3	Belt, Mower Drive	037x62	31	Plate	091770E700
4	Pulley, Idler	690387	32	Nut, Flange	015x88
5	Nut, Flange	015x84	33	Bolt, Carriage	002x53
6	Spacer, Pulley	1001197	34	Mandrell	1001200
7	Washer	017x87	35	Bracket, Suspension	690539E700
8	Link, Lift	690212E700	36	Adapter, Blade	690411
9	Pad, Friction	094137	37	Blade	095103E701
10	Bolt, Shoulder	009x52	38	Washer	17x166
11	Bracket, Suspension	094055E700	39	Washer	17x165
12	Pad Assembly, Left Brake	094049E700	40	Nut	15x100
13	Knob	094068	41	Spring	0166x4
14	Bolt, Shoulder	009x51	42	Cap, Push On	028x23
15	Plate, Suspension	094128E700	43	Rod, Pivot	094957 Z
16	Spring	166x43	44	Deflector Assembly	094707
17	Nut, Flange	015x79	45	Bracket, Deflector	094956E700
18	Bracket, Suspension	094143E700	46	Bracket, Front Hanger	094144E700
19	Pin, Hanger	095194	47	Washer	017x45 Z
20	Washer	017x91	48	Guide, Belt	094781
21	Pin, Cotter	0031x4	50	Bracket, Support	094681E700
22	Bolt	0025x7	51	Screw	26x249
23	Cover, Pulley	094051E700	52	Spring, Extension	165x119
24	Bolt, Shoulder	009x39	53	Spacer	690369
25	Arm, Idler	690408E700	54	Housing, Blade *	094141E700
26	Spring	166x41	55	Nut, Flange	015x98
27	Pad Assembly, Right Brake	094047E700	1-55	Complete Mower Housing Assembly	776001
28	Bracket Assembly, Brake	094145E700			

* Includes Key No. 17, 18, 30, 31, 32, 33, 45, 46, 47 and 51.

MODEL 405015x92B

REPAIR PARTS ENGINE MOUNT



MODEL 405015x92B

REPAIR PARTS ENGINE MOUNT

Key No.	Description	Part No.
1	Fuel Cap *	092317
2	Fuel Tank	094073
3	Hose Clamp *	95197
4	Fuel Line (Must cut to length)	7601033
5	Hose Clamp *	095197
6	Screw	26x201
7	Plate, Engine	094006E700
8	Throttle Control	091989
9	Engine	-----
--	Muffler	690436
--	Gasket, Muffler	091309
--	Adapter, Muffler	095207
--	Screw, Adapter	06x103
--	Bolt, Muffler	009x59
--	Lock, Screw	092378
10	Bolt, Engine Mount	0025x7
11	Stack Pulley Assembly	690439 Z
12	Lockwasher	019x35
13	Bolt, Hex	01x140
14	Washer	17x170
15	Screw	26x249
21	Guide, Belt	093349
22	Nut, Flange	015x79 Z
23	Guide, Belt	094066
26	Screw	26x253
30	Shield, Heat	092550
31	Screw	26x263
32	Bolt	06x104

* These parts are included when ordering Key number 2.

MODEL 405015x92B

REPAIR PARTS ELECTRICAL SYSTEM

Key No.	Description	Part No.
1	Harness, Light Wire	250x92
	Socket, Light	092372
	Bulb, Light	090084
2	Harness, Chassis Wire	250x87
3	Switch, Ignition	092556
	Key, Ignition	020729
	Nut, Hex	091489
	Cap, Ignition	091488
4	Switch, Limit	094136
5	Fuse	054212
	Holder, Fuse	407078
6	Solenoid	094613
	Screw, Mounting	26x229
	Locknut	15x116
7	Cable, Battery Ground	024x32
	Screw, Ground Cable	26x213
8	Battery	021075
	Bolt, Carriage	002x82
	Wingnut	014x79
9	Harness, Seat Switch Wire	250x67
10	Switch, Seat Sensor	094159
11	Cable	024x31

MODEL 405015x92B

REPAIR PARTS DECALS

Ke No.	Description (Location)	Part No.
--	Everstart Logo	44x7190
--	Everstart Logo	44x7195
--	Cut Finger (Blade Housing)	48x236
--	Murray 14/40 (Hood)	48x1034
--	Murray 14/40 (Hood)	48x1035
--	Warning (Console -Center)	44x7325
--	No Step (Blade Housing)	44x6548
--	Clutch/Brake (Left Foot Rest)	48x499
--	3 Way (Blade Housing)	48x360
--	Briggs & Stratton Logo -IC (Side Plate-RH or LH)	44x6466
--	5 Speed Transaxle (Seat Deck -RH)	44x7766
--	Dash/Symbols -Export	44x6817
--	Deck Level Position -ONLY (Seat Deck -LH)	44x6456
--	MURRAY	48x646
--	Gas Gauge -Twin & ALL W1 (Hood)	44x6595