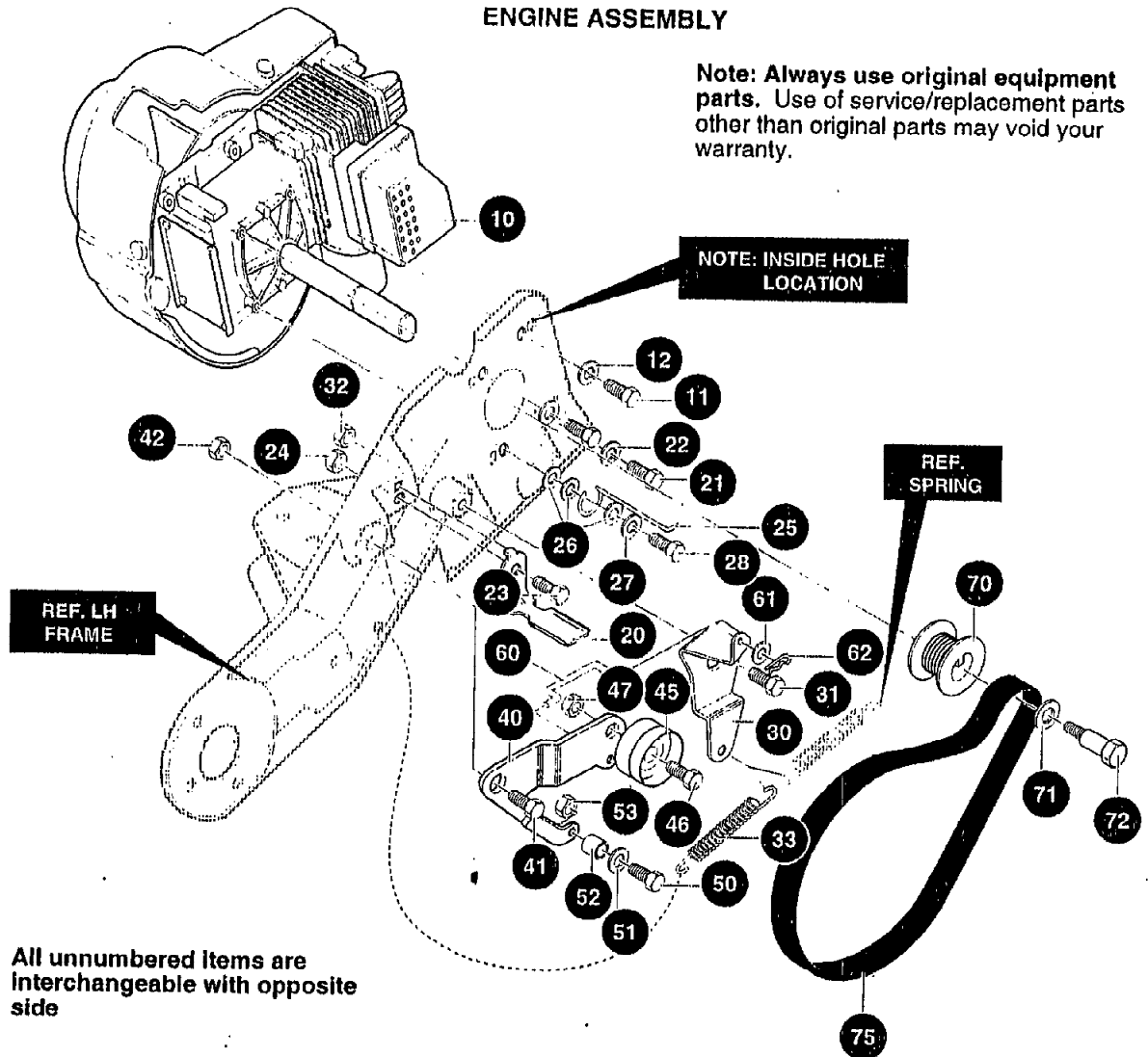


ENGINE ASSEMBLY

Note: Always use original equipment parts. Use of service/replacement parts other than original parts may void your warranty.



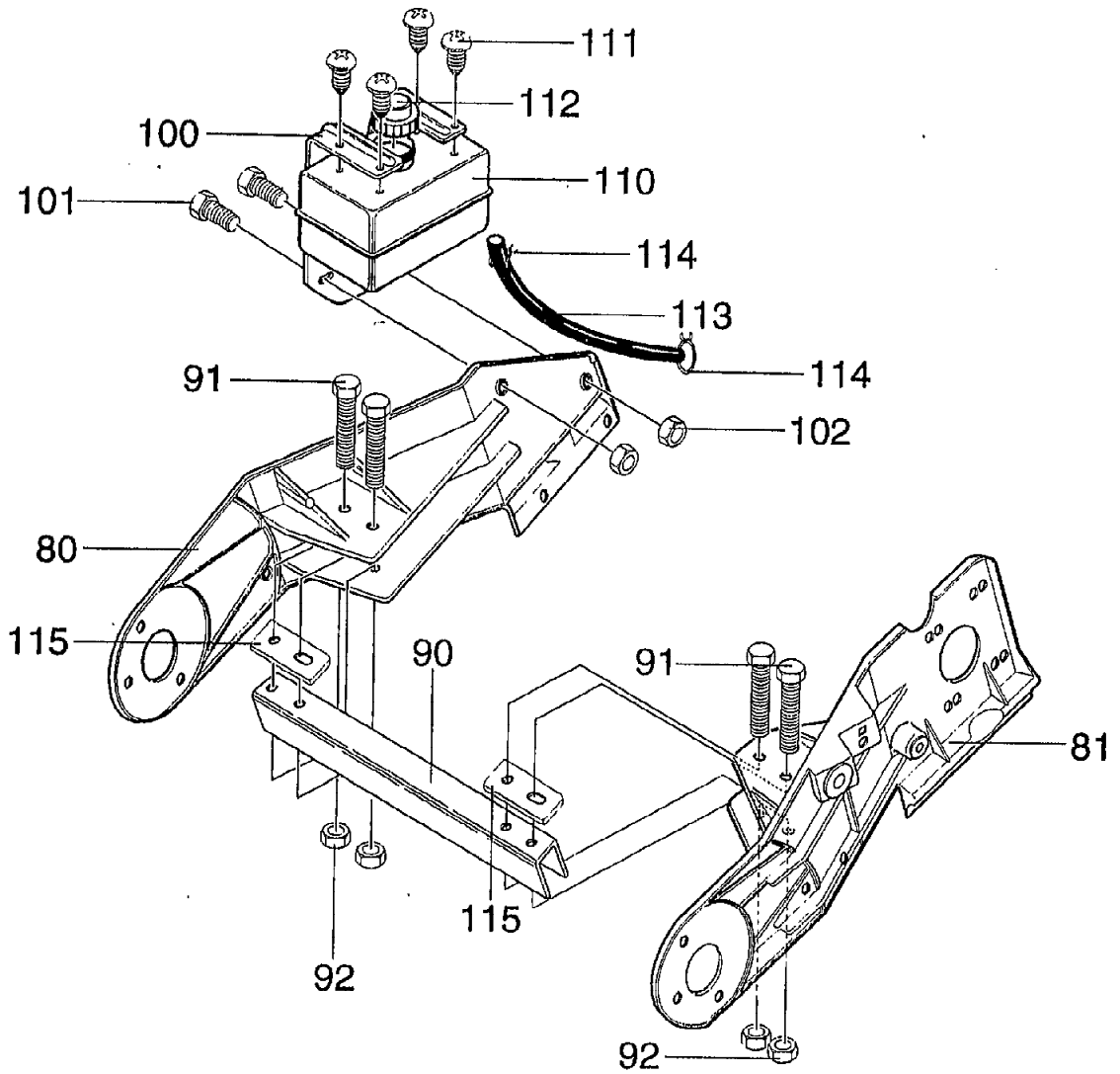
All unnumbered items are interchangeable with opposite side

343430A

REF NO.	PART NO.	PART NAME
10	-	ENGINE, 3HP (SEE ENGINE MANUAL)
11	180077	SCREW, 5/16-18X .75
12	120638	WASHER, HVSPTLK .328X.60X.09
20	333970	PAD, BRAKE
21	180077	SCREW, 5/16-18X .75
22	120638	WASHER, HVSPTLK .328X.60X.09
23	180018	SCREW/4-20 X .63
24	782585	NUT, 1/4-20
25	313440	GUIDE, BELT
26	120393	WASHER, FLAT .344X .69X.065
27	120638	WASHER, HVSPTLK .328X.60X.09
28	710312	SCREW, 5/16-18X1.00 HHC
30	313444	IDLER ARM
31	333594	BOLT, 5/16-18
32	1498	NUT, 3/8-16

REF NO.	PART NO.	PART NAME
33	313473	SPRING
40	320077	IDLER ARM
41	333594	BOLT, 5/16-18
42	1498	NUT, 5/16-18 REGHEXCTRLK
45	48924	PULLEY, IDLER
46	302637	SCREW, 3/8-16X1.50
47	41529	NUT, 3/8-16 HXCTRLKJAM
50	180034	SCREW, 1/4-20 X 1.50
51	120392	WASHER, FLAT .281 X .63 X.065
52	313443	ROLLER, BELT
53	782585	NT, 1/4-20
60	313436	ROD, CLUTCH LINKAGE
61	414106	WASHER, FLAT 8 X .040
62	120224	PIN, COTTER
70	339863	PULLEY, ENG
71	25840	WASHER, SPR
72	181595	SCREW, 5/16-24X .75
75	760928	BELT, V 3L 34.8"
	761227	OPERATOR'S MANUAL

FRAME COMPONENTS ASSEMBLY

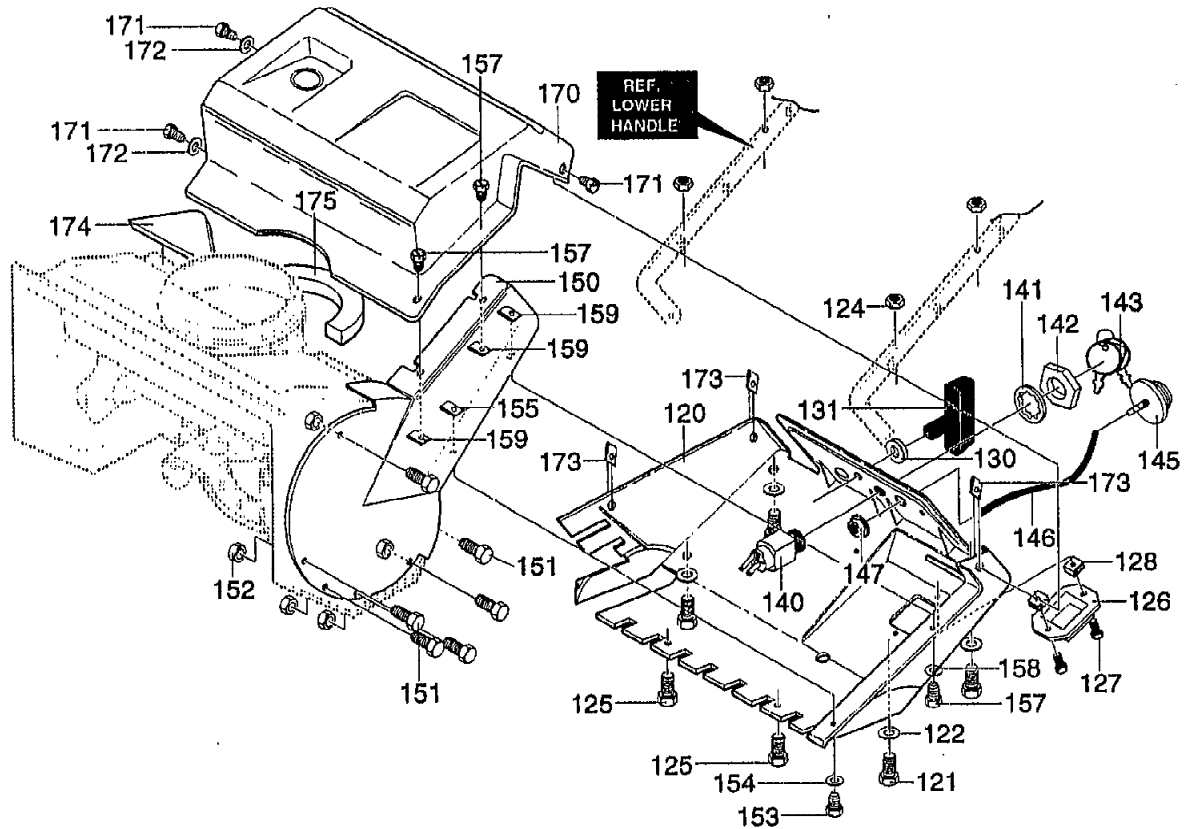


REF NO.	PART NO.	PART NAME
80	333769-853	FRAME, SIDE RH
81	333767-853	FRAME, SIDE LH
90	578095	CHANNEL, SUPPORT
91	180044	SCREW, 1/4-20 X 2.00
92	782585	NUT, 1/4-20
100	578093-853	BRACKET, GAS TANK
101	180020	SCREW, 1/4-20X .75 HHC
102	782585	NUT, 1/4-20
110	55381	REGHEXCTRLK TANK, FUEL
111	49697	SCREW, 1/4-14X .88
112	780210	GAS TANK CAP
113	327290	TUBING, .GAS LINE
114	47345	CLAMP,HOSE
115	334856	PLATE, BOLTING SUPPORT

335222C

FS

TOP COVER ASSEMBLY

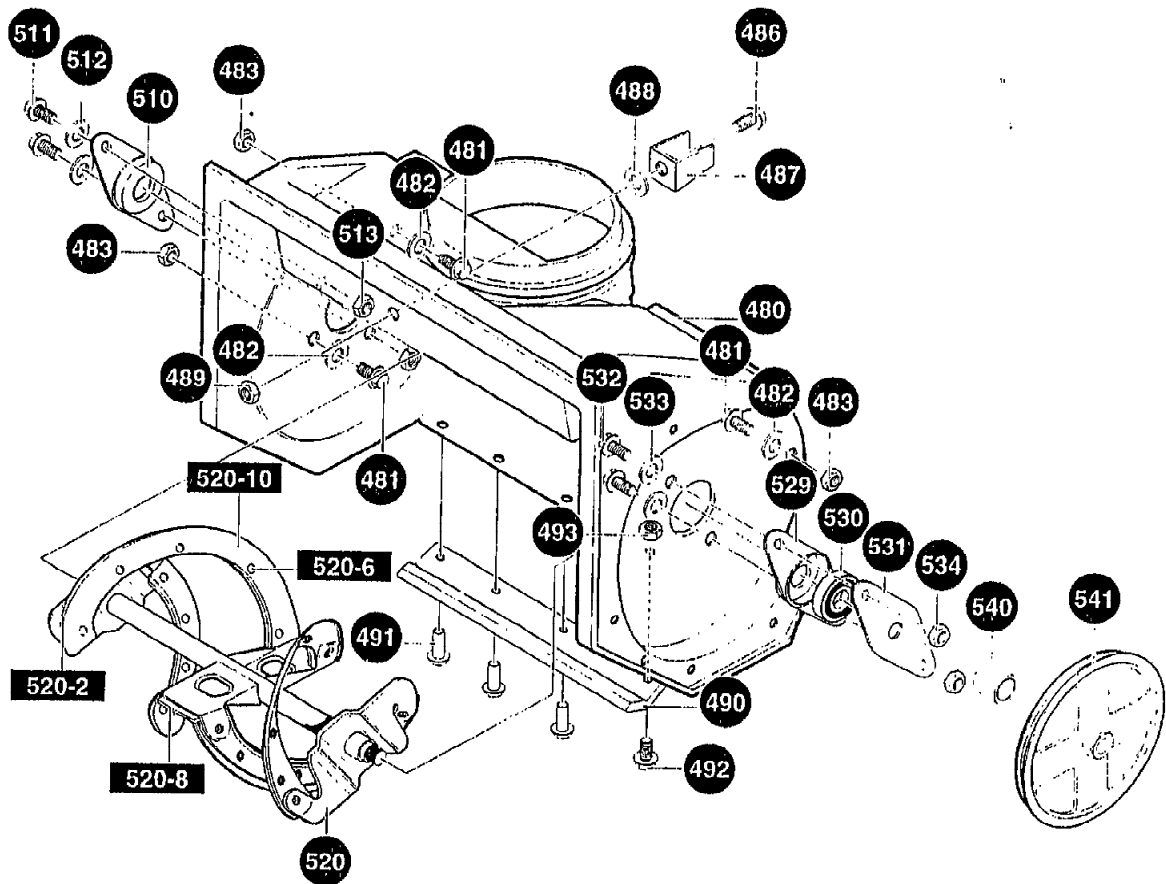


313937E

REF NO.	PART NO.	PART NAME
120	302265	COVER, BOTTOM
121	180024	SCREW, 1/4-20X1.25
122	120392	WASHER, FLAT .281X .63X.065
124	782585	NUT, 1/4-20 REGHEXCTRLK
125	314218	SCREW, 14-10X .63
126	326212	COVER, CARB
127	56021	SCREW, 1/4-14X .75
128	578109	NUT, 1/4-10 SPEED J TYPE
130	57587	GROMMET & WASHER, ROPE GUIDE
131	333643	KNOB, STAND TEE
140	56992	SWITCH, IGNITION
141	138557	WASHER, REGINTLK .640X1.1X.05
142	48140	NUT, 5/8-32
143	49643	2 KEYS & RING, ASSY
145	54601	PRIMER, ENGINE
146	1259	HOSE, PRIM

REF NO.	PART NO.	PART NAME
147	271172	NUT, 1/4-20 REGHEXKEPS
150	57036	COVER, BELT 2CY
151	274707	SCREW, 10-24X .50
152	997316	NUT, #10-24 REGHEXCTRLK
153	180016	SCREW, 1/4-20X .50
154	120392	WASHER, FLAT .281X .63X.065
155	578107	NUT, 1/4-20 TINN U
157	56021	SCREW, 1/4-14X .75
158	120392	WASHER, FLAT .281X .63X.065
159	578109	NUT, 1/4-10 SPEED JTYPE
170	331099	COVER, TOP
171	56021	SCREW, 1/4-14X .75
172	120392	WASHER, FLAT .281X .63X.065
173	578109	NUT, 1/4-10 SPEED J TYPE
174	55379	SEAL, STRIP
175	55380	SEAL, STRIP

AUGER HOUSING ASSEMBLY



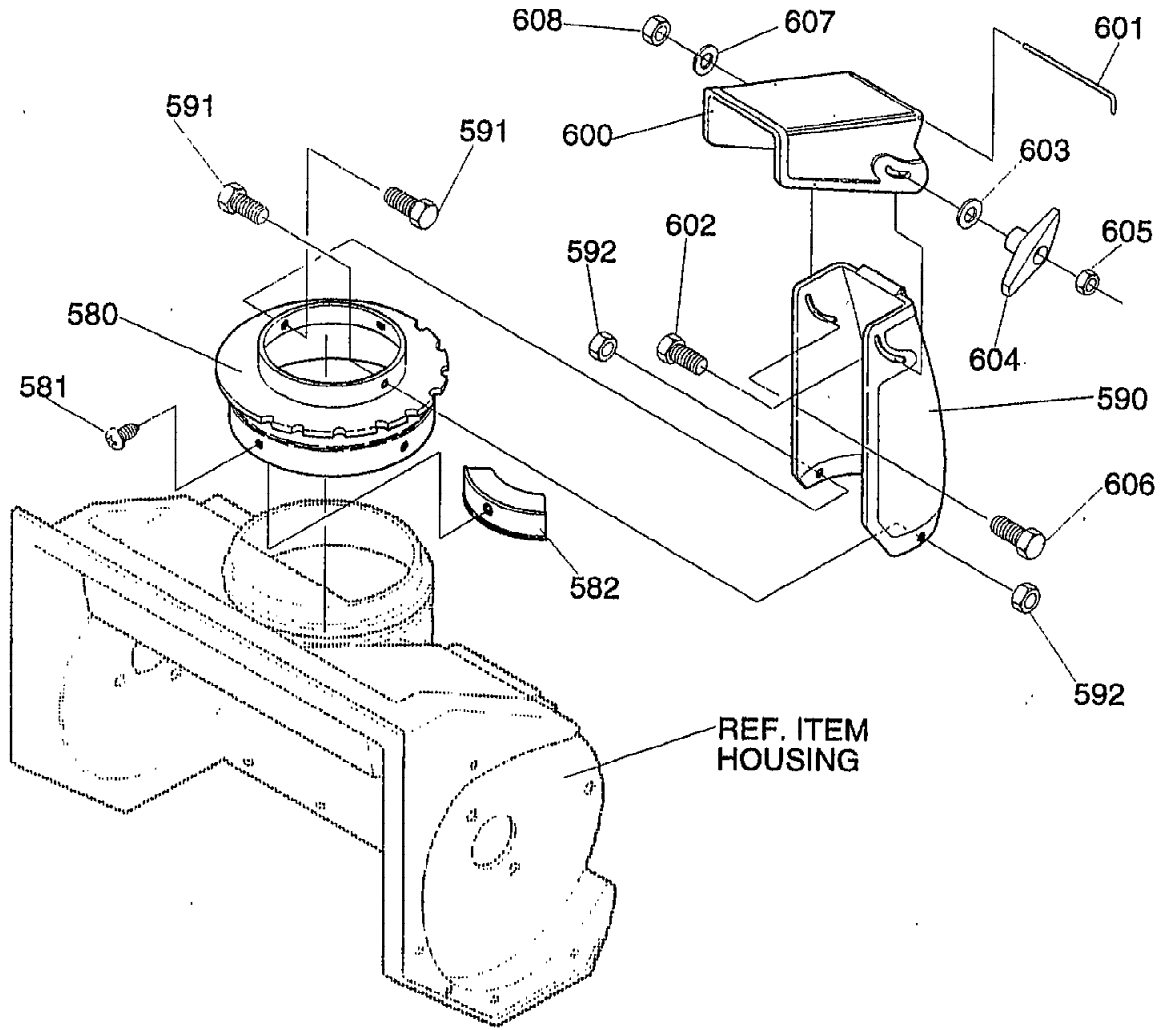
REF NO.	PART NO.	PART NAME	REF NO.	PART NO.	PART NAME
480	331335	ASSY,RECT HSG	512	120392	WASHER, FLAT
481	180020	SCREW, 1/4-20X .75			.281X .63X.065
482	120392	WASHER, FLAT	513	46931	NUT, 1/4-20
		.281X .63X.065	520	302783	AUGER, ASSY
483	782585	NUT, 1/4-20	520-2	302565	AUGER BLADE
486	11871	SCREW, 1/4-20X .63	520-6	49838	RIVET
487	331126	BRACKET, STOP	520-8	335992	BLADE CENTER
488	331211	WASHER, FLAT	520-10	312407	BLADE AND AUGER ASSY
		.333X .87X.119	529	580251	RETAINER, BEARING
489	782585	NUT, 1/4-20	530	43846	BRNG, BALL
490	334031	BLADE, SCRAPER	531	334287	PLATE,RETNR BRNG
491	577707	RIVET	532	180018	SCREW, 1/4-20X .62
492	180020	SCREW, 1/4-20X .75	533	120392	WASHER, FLAT
493	46931	NUT, 1/4-20 WDFL			.281X .63X.065
510	577023	BRNG, FL	534	782585	NUT, 1/4-20 REGHEXCTRLK
511	710263	SCREW, 1/4-20X1.00	540	578101	SPACER
			541	313670	PULLEY

313938G

620301X4A

f7

DISCHARGE CHUTE ASSEMBLY

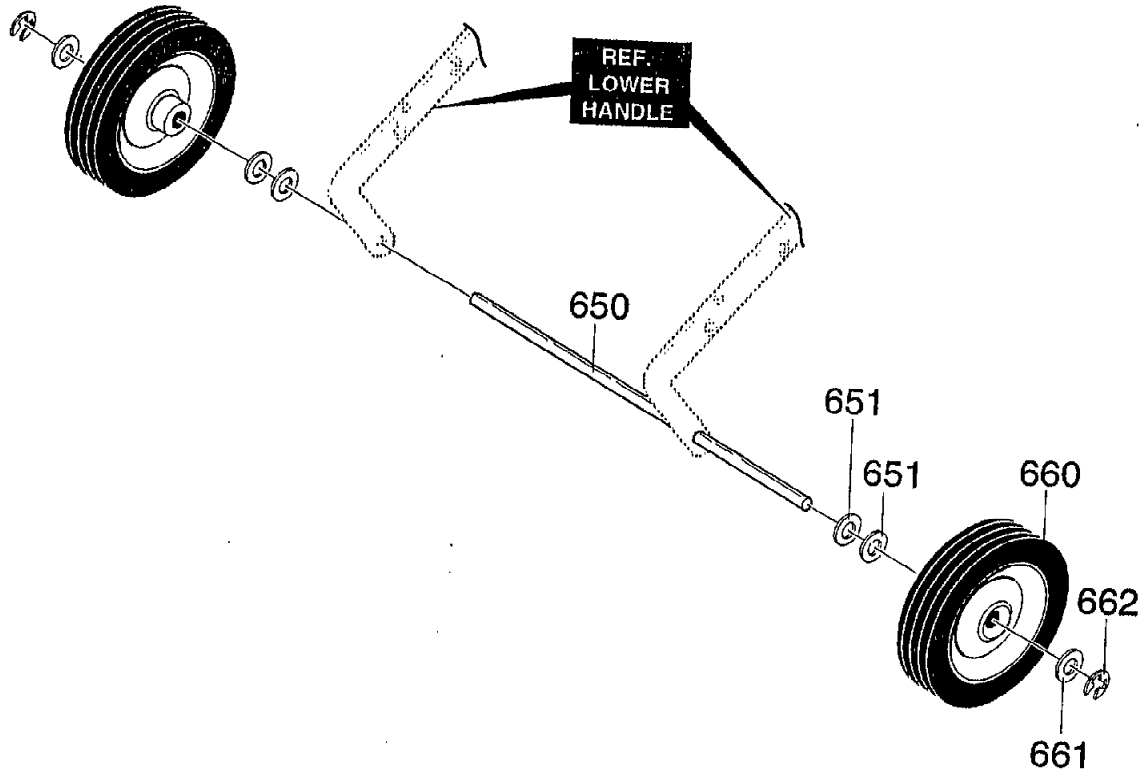


REF NO.	PART NO.	PART NAME
580	314239	RING, CHUTE
581	300302	SCREW, #10 X .50
582	577021	GUIDE, CHUTE
590	334234	CHUTE, LOWER
591	180016	SCREW, 1/4-20X .50
592	46931	NUT, 1/4-20
600	325847	CHUTE, UPPER
601	308931	WIRE, HINGE
602	302843	BOLT, 5/16-18X1.25
603	120393	WASHER, FLAT .344X .69X.065
604	13527	KNOB, T
605	120376	NUT, 5/16-18
606	578088	SCREW, 5/16-18X .75
607	120393	WASHER, FLAT .344X .69X.065
608	1498	NUT, 5/16-18 REGHEXCTRLK

313939A

F8

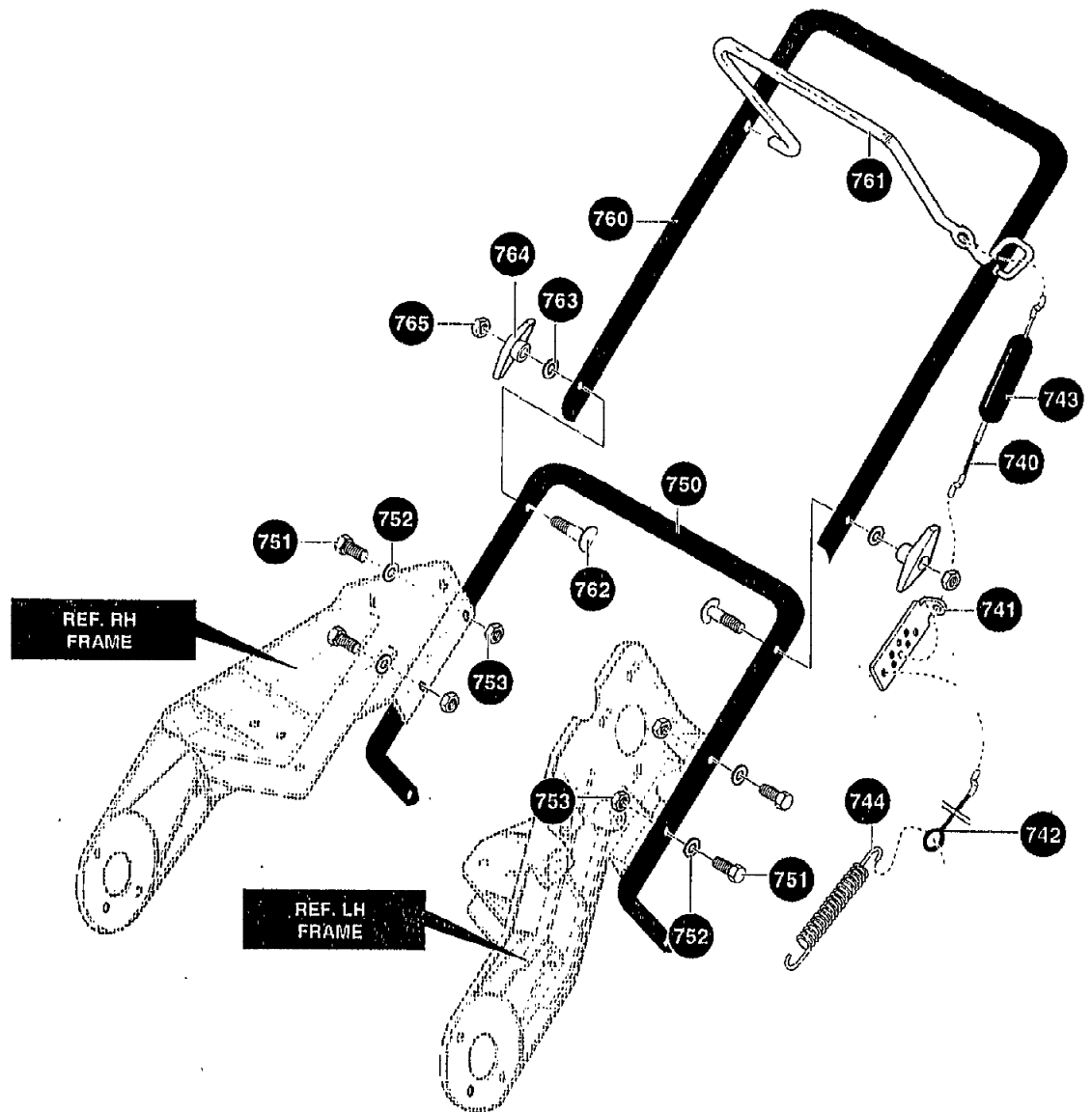
WHEELS ASSEMBLY



REF NO.	PART NO.	PART NAME
650	313678	AXLE, 7X1.5 DIA.
651	583409	WASHER, FLAT .391X1.0OX.125
651	583409	WASHER, FLAT .391X1.0OX.125
660	760713	TIRE & RIM
661	583409	WASHER, FLAT .391X1.0OX.125
662	577598	RING, RET E .

334309B

HANDLE ASSEMBLY

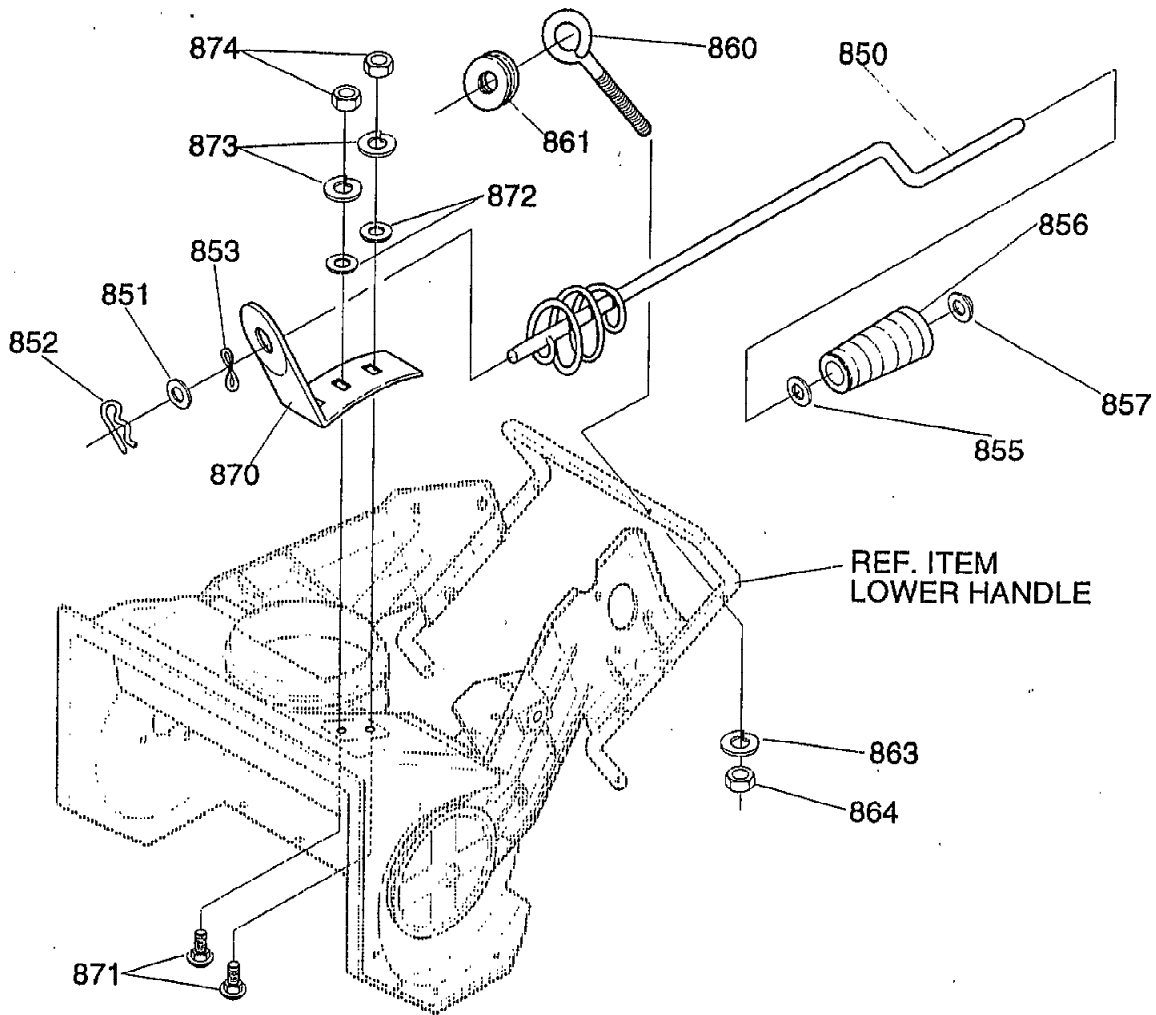


313941D

REF NO.	PART NO.	PART NAME
740	313449	CABLE, UPPER
741	313441	BRKT, CABLE ADJ
742	313448	CABLE, LOWER CONTROL
743	308146	BOOT, CLUTCH SPRING
744	313471	SPRING, EXT.
750	313487-853	HANDLE, LOWER
751	180024	SCREW, 1/4-20X1.25
752	120392	WASHER, FLAT .281X .63X.065
753	782585	NUT, 1/4-20 REGHEXCTRLK
760	313489-853	HDL, UPPER
761	313308-853	BAIL, CONTROL
762	337584	BOLT, 5/16-18X2.00
763	311936	WASHER, FORM
764	13527	KNOB, T
765	120376	NUT, 5/16-18

FA

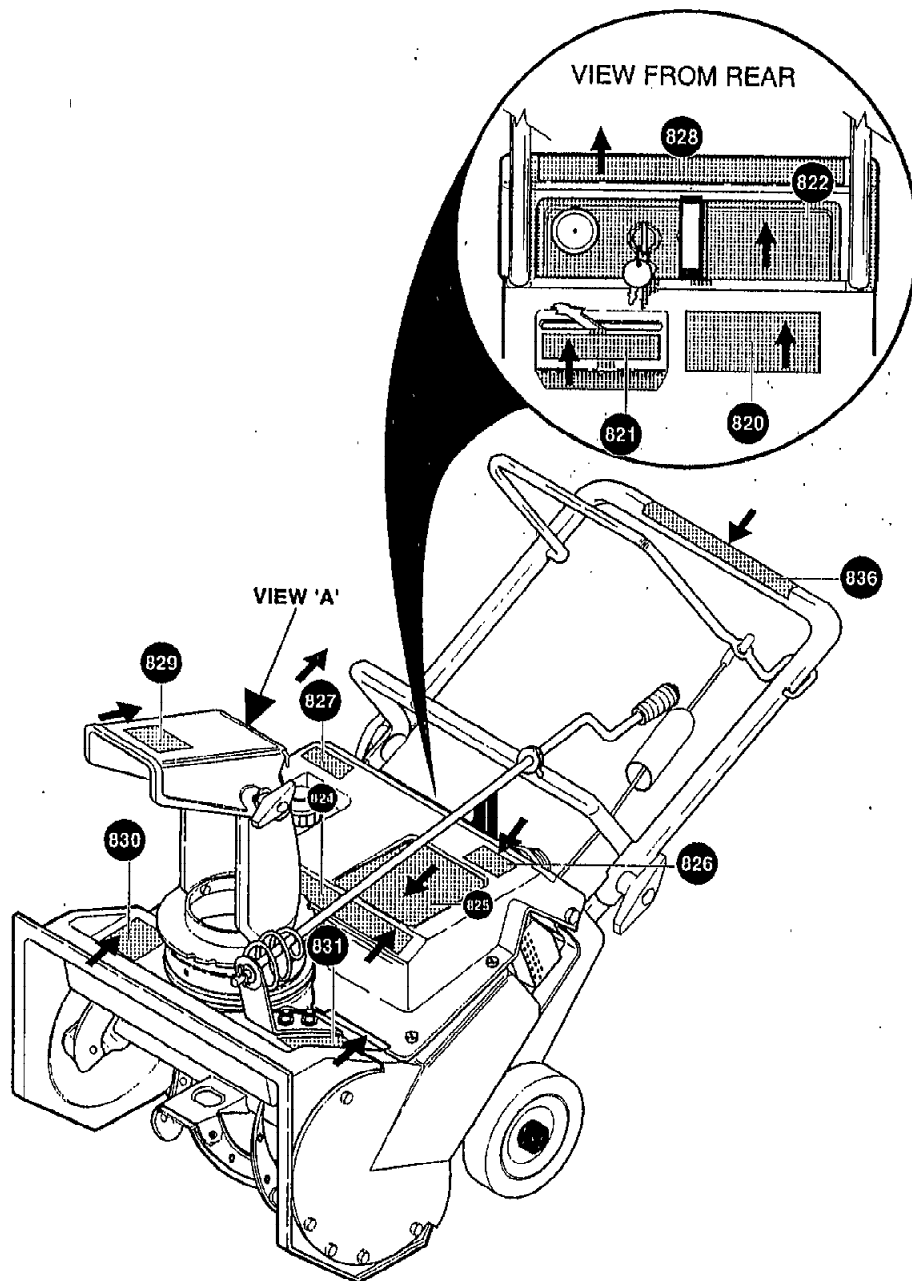
CHUTE ROD ASSEMBLY



REF NO.	PART NO.	PART NAME
850	314996	ROD, ASSY UPR CHUTE
851	120394	WASHER, FLAT .406X .81X.065
852	71082	PIN, COTTER
853	313431	WASHER, CURVED SPRING
855	120394	WASHER, FLAT .406X .81X.065
856	57082	KNOB, SLEEVE
857	331532	NUT, PUSH, FITS
860	313712	BOLT, EYE 3/8-16 X 2.00
861	148	GROMMET, EYE BOLT

REF NO.	PART NO.	PART NAME
863	120382	WASHER, REGSPTLK .393X.68X.10
864	124829	NUT, 3/8-16 HEXJAM
870	313438-853	BRACKET, CHUTE ROTATE
871	340720	BOLT, 5/16-18X .75
872	120393	WASHER, FLAT .344X .69X.065
873	120638	WASHER, HVSPTLK .328X.60X.09
874	120376	NUT, 5/16-18 REGHEX

DECALS



319097G

REF NO.	PART NO.	PART NAME
820	-	NOT A SERVICABLE PART
821	318494	DECAL, CHOKE
822	70654	DECAL, CTL PAN
824	760884	DECAL, MURRAY
825	302929	DECALS, DANGER INSTR
826	69880	DECAL, WARN HOT MUFF
827	761031	DECAL, EPA
828	340252	DECAL, START INSTR
830	313892	DANGER CHUTE DECAL
831	70141	DECAL, DANGER AUGER FOOT
836	337524	DECAL, AUGER CONTROL BAR

Fc