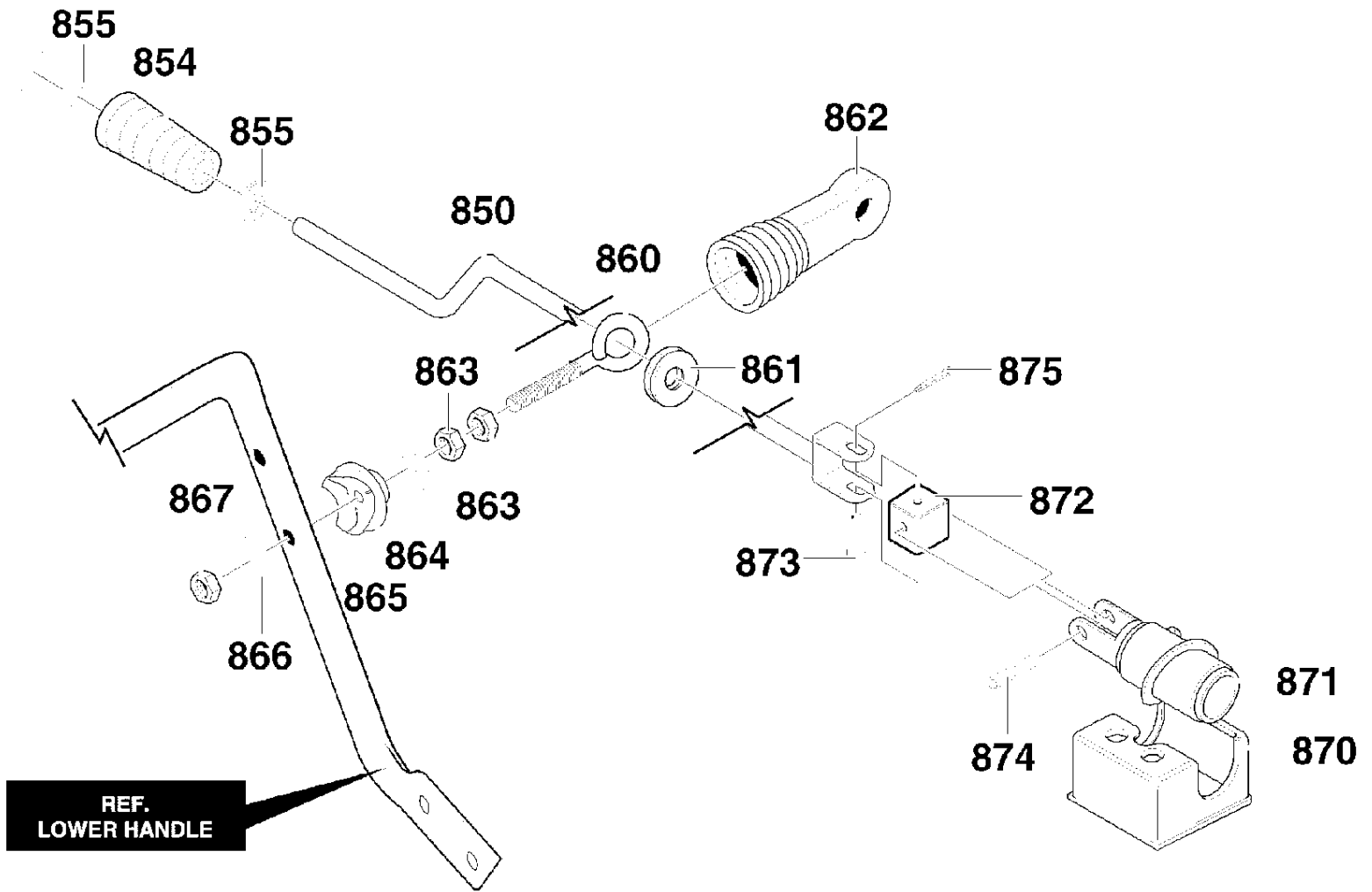


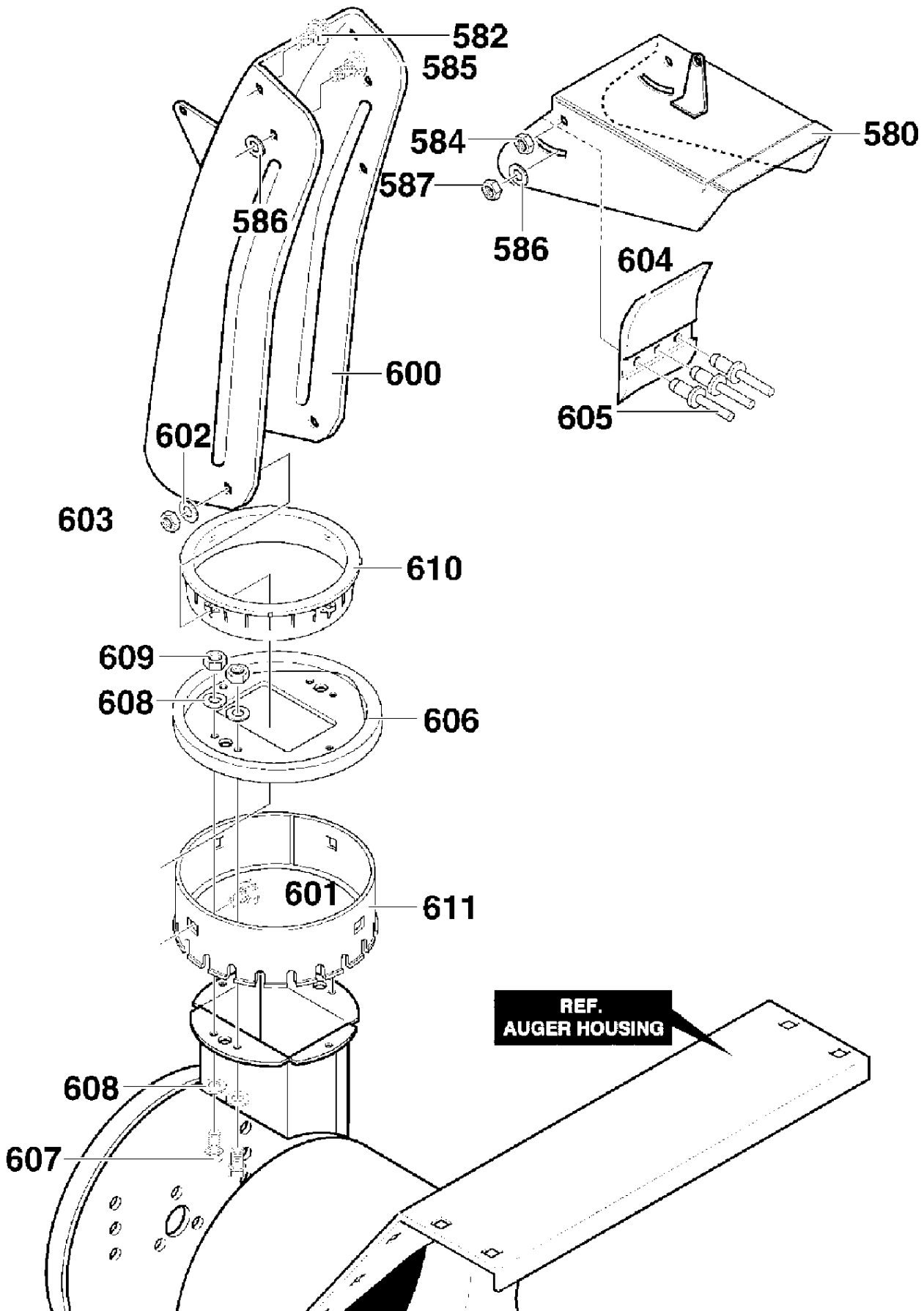
NOTE
 KEY# 500 IS A WELDMENT AND
 INCLUDES TWO SIDE PANELS.

Ref #	Part Number	Qty	Description
480	583146MA		PULLEY, V4L
482	71371MA		KEY, SQUARE
483	71074		WASHER, FLAT .53X1.00X.063
484	712121MA		NUT, 1/2-20 REGHEXCTRLK
485	334514MA		SPACER, SLEV
490	582960		RETAINER, BALL
491	043846		BEARING, BALL
493	313676		SCREW, 5/16-18X .75
499	710026		NUT, 5/16-18
500	761877-823		HOUSING, ASSY
509	760040MA		PLUG, CHRISTMAS TREE
510	760668-821		SCRAPER BLADE
511	340720MA		BOLT, 1/4-20X.75 CARR.
514	710026		NUT, 5/16-18 HEXWDFLLK WHIZ
520	760317-821		AUGER, LH
521	760307-821		AUGER, RH
522	578647MA		BOLT
524	1498		NUT, 5/16-18 REGHXCTRLK
525	53757MA		BEARING, AUGER SHAFT
527	782967MA		SCREW, 5/16-18X.75
540	762379-821		SKID, HEIGHT ADJUST
541	340720MA		BOLT, 5/16-18X .75
544	71037		NUT, 5/16-18 REGHEX
545	760717-823		STIFFENER
546	340720MA		BOLT, 5/16-18
547	120393		FLATWASHER
549	710026		NUT 5/16-18

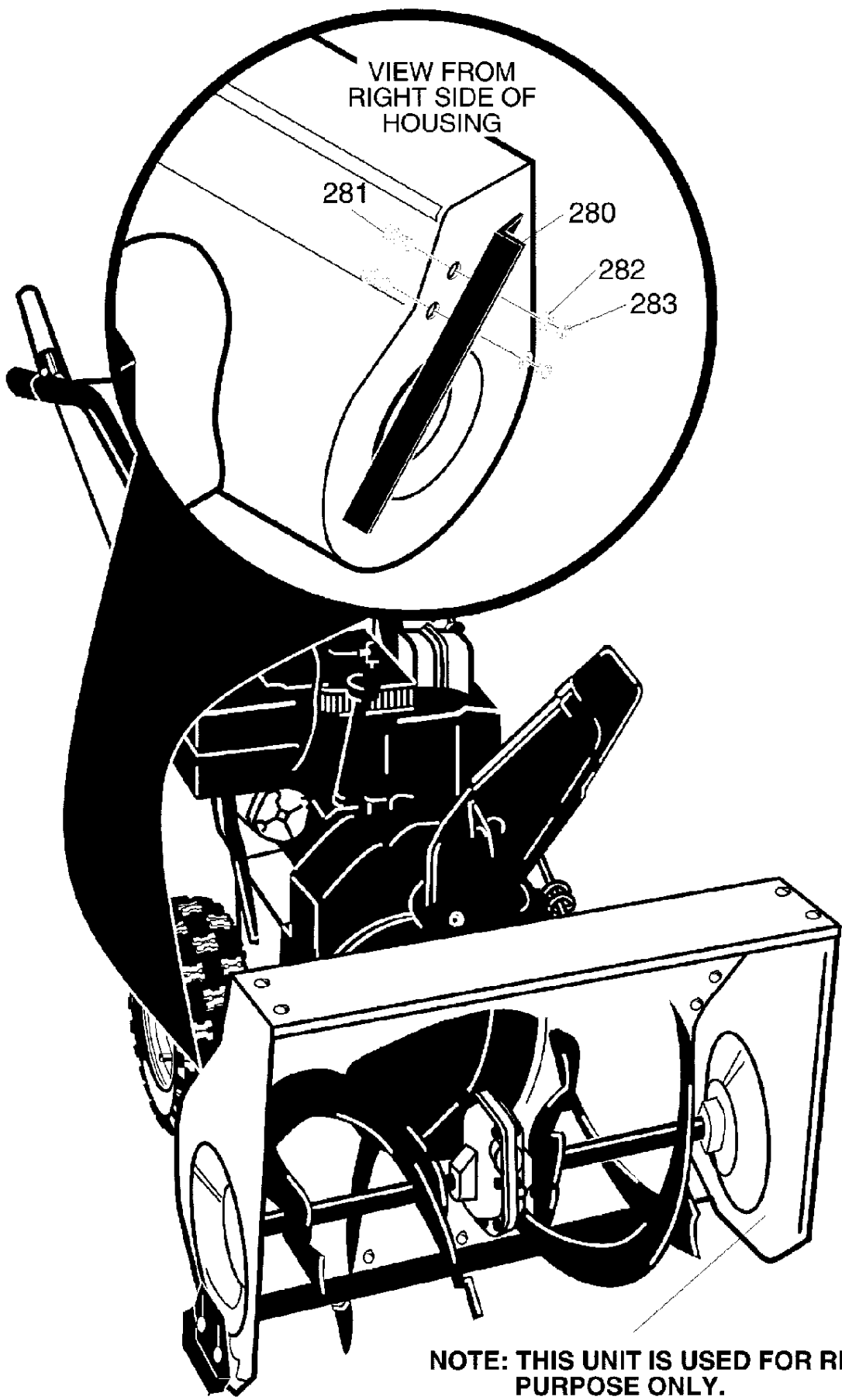
856



Ref #	Part Number	Qty	Description
850	585426MA		CRANK, ASSY CHUTE
854	307399MA		HANDLE, CHUTE CRANK
855	309312MA		FLATWASHER .39X.70X.05
856	578159MA		E RING
860	581618MA		EYE BOLT 3/8-16X6.00
861	148MA		GROMMET, EYE BOLT
862	308145MA		BOOT
863	124829		NUT, 3/8-16 HEXJAM
864	71072		FLATWASHER .406X.81X.066
865	309344MA		ADAPTER, BOOT TO HANDLE
866	71072		FLATWASHER .406X.81X.066
867	71046		NUT, 3/8-16 HEXNYL
870	585195MA		BRACKET, WORM MTG
871	585196MA		WORM, GEAR CHUTE ROTATION
872	578063MA		BLOCK, UNIVERSAL PIVOT
873	578309MA		CLEVIS PIN
874	578060MA		PIN, UNIVERSAL JOINT
875	579493MA		COTTER PIN

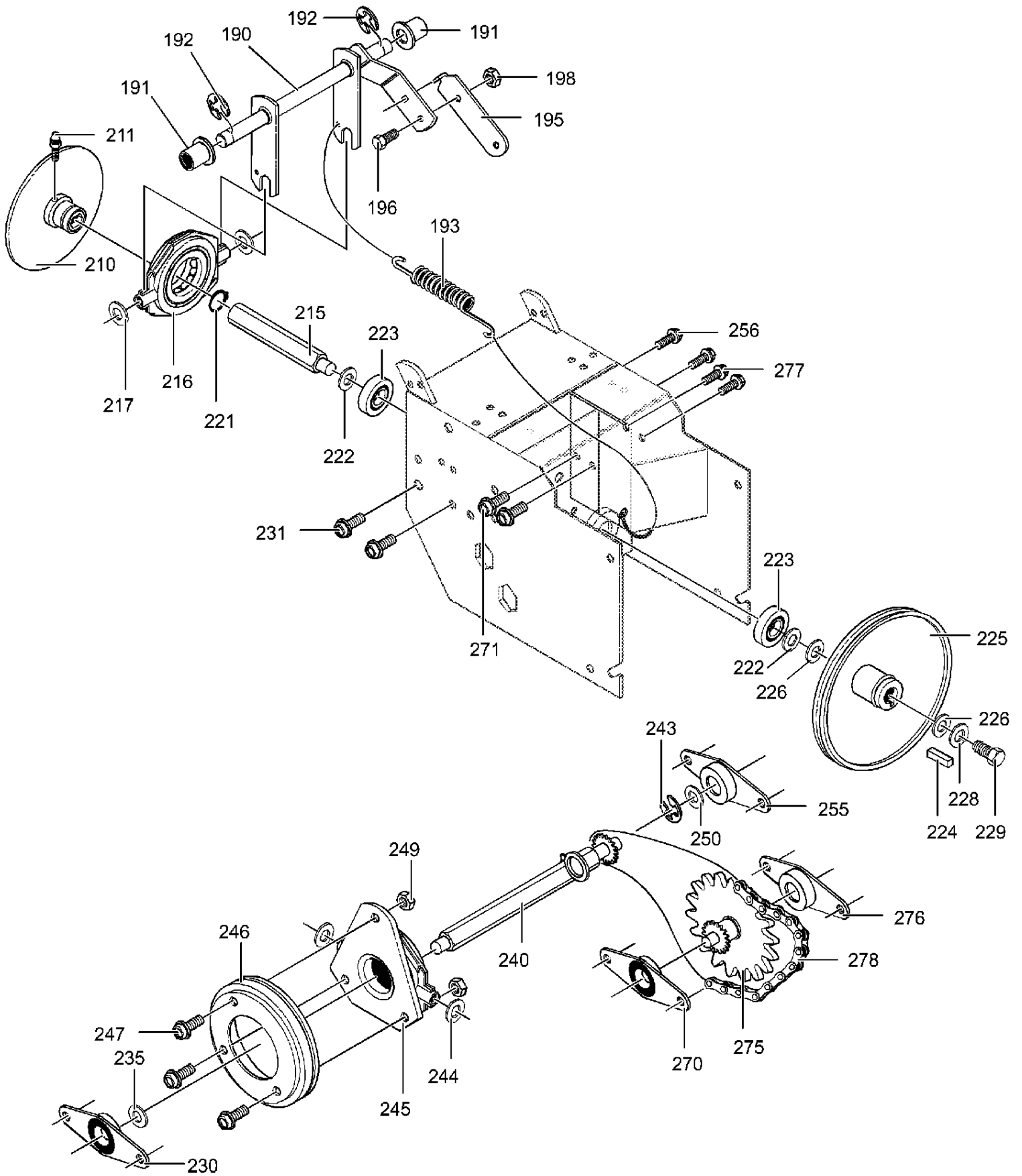


Ref #	Part Number	Qty	Description
580	761168-821		ASSY., UPPER CHUTE
582	578088MA		SCREW, 5/16-18X.75
584	71038		NUT, 5/16-18 HEX NYL
585	578088MA		SCREW, 5/16-18X.75
586	6711MA		WASHER
587	71038		NUT, 5/16-18 HEX NYL
600	761169-821		LOWER CHUTE ASSEMBLY
601	586280		BOLT, 5/16-18X1.00
602	120393		FLATWASHER .349X.69X.066
603	71038		NUT, 5/16-18
604	762322MA		FLAP
605	760987MA		RIVET
606	585214-821		COLLAR, CHUTE
607	302628MA		SCREW, 1/4-20X .75
608	071067MA		FLATWASHER .281X .63X.065
609	780029		NUT, 1/4-20 HEX NYLOCK
610	337227MA		RETAINER, RING INNER
611	585193MA		RETAINER, RING OUTER

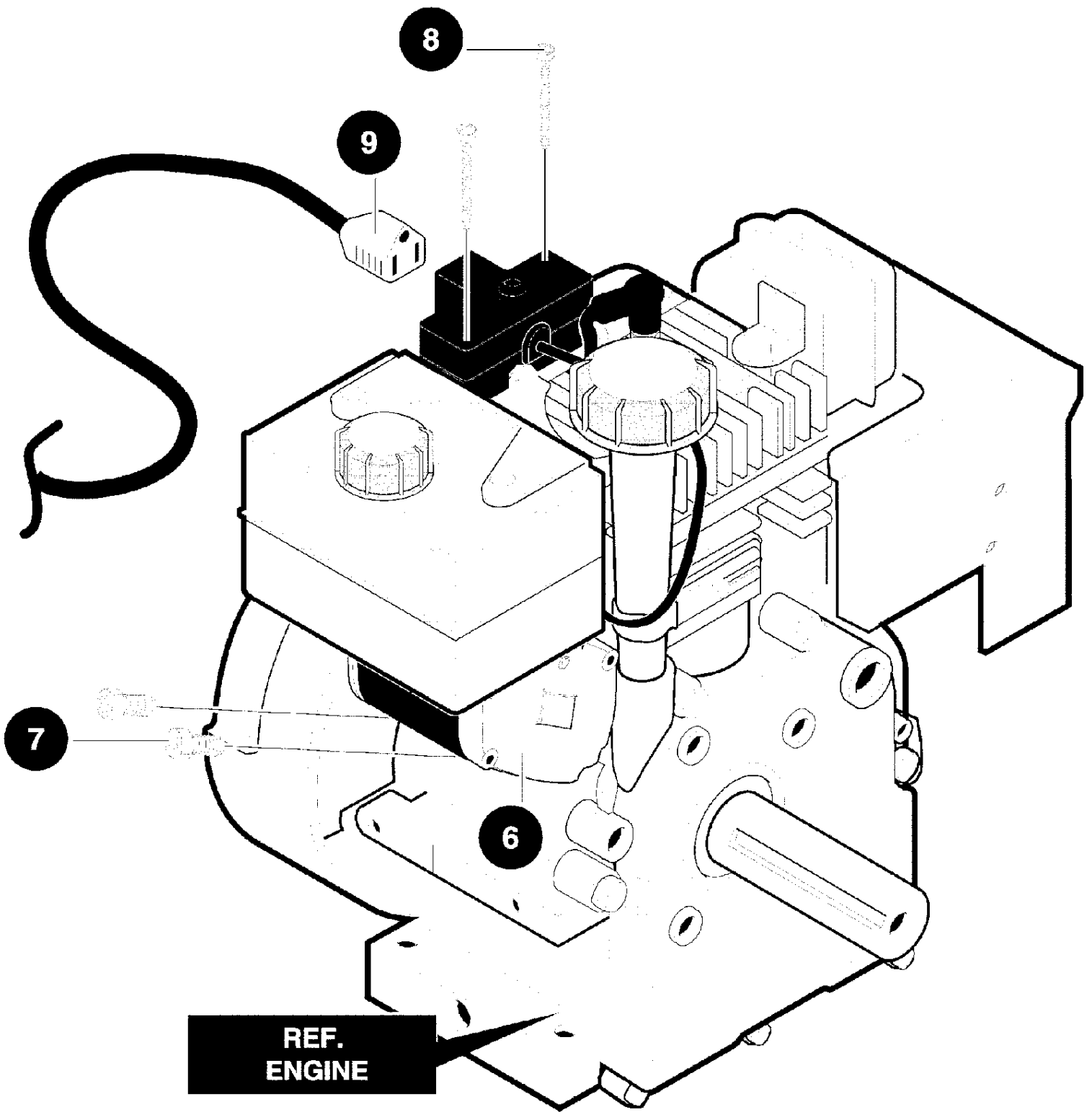


NOTE: THIS UNIT IS USED FOR REFERENCE PURPOSE ONLY.

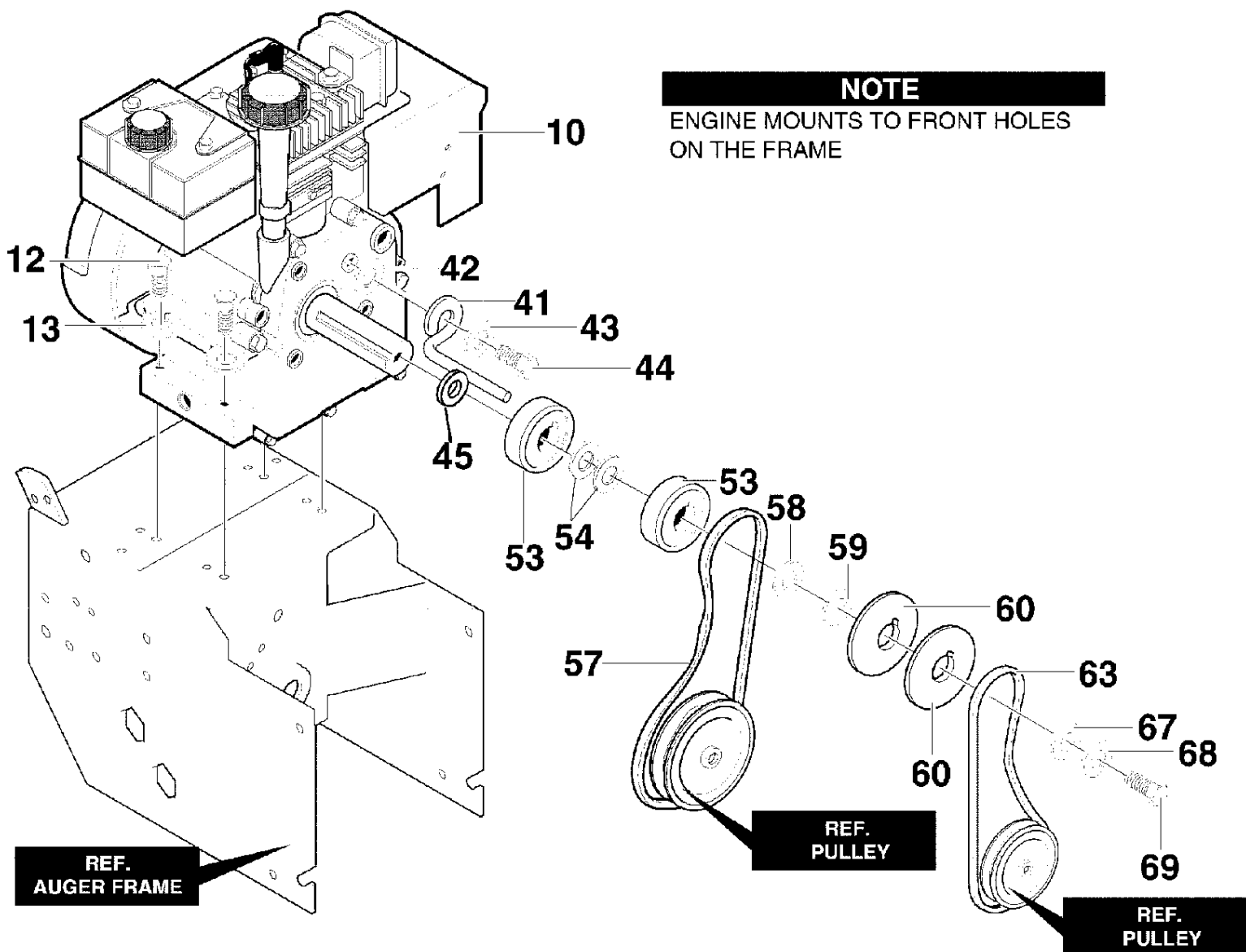
Ref #	Part Number	Qty	Description
280	950644-821		BAR, DRIFT CUTTER
281	340720MA		BOLT, 5/16-18X0.75
282	120638		WASHER, SPLIT
283	71037		NUT, 5/16-18



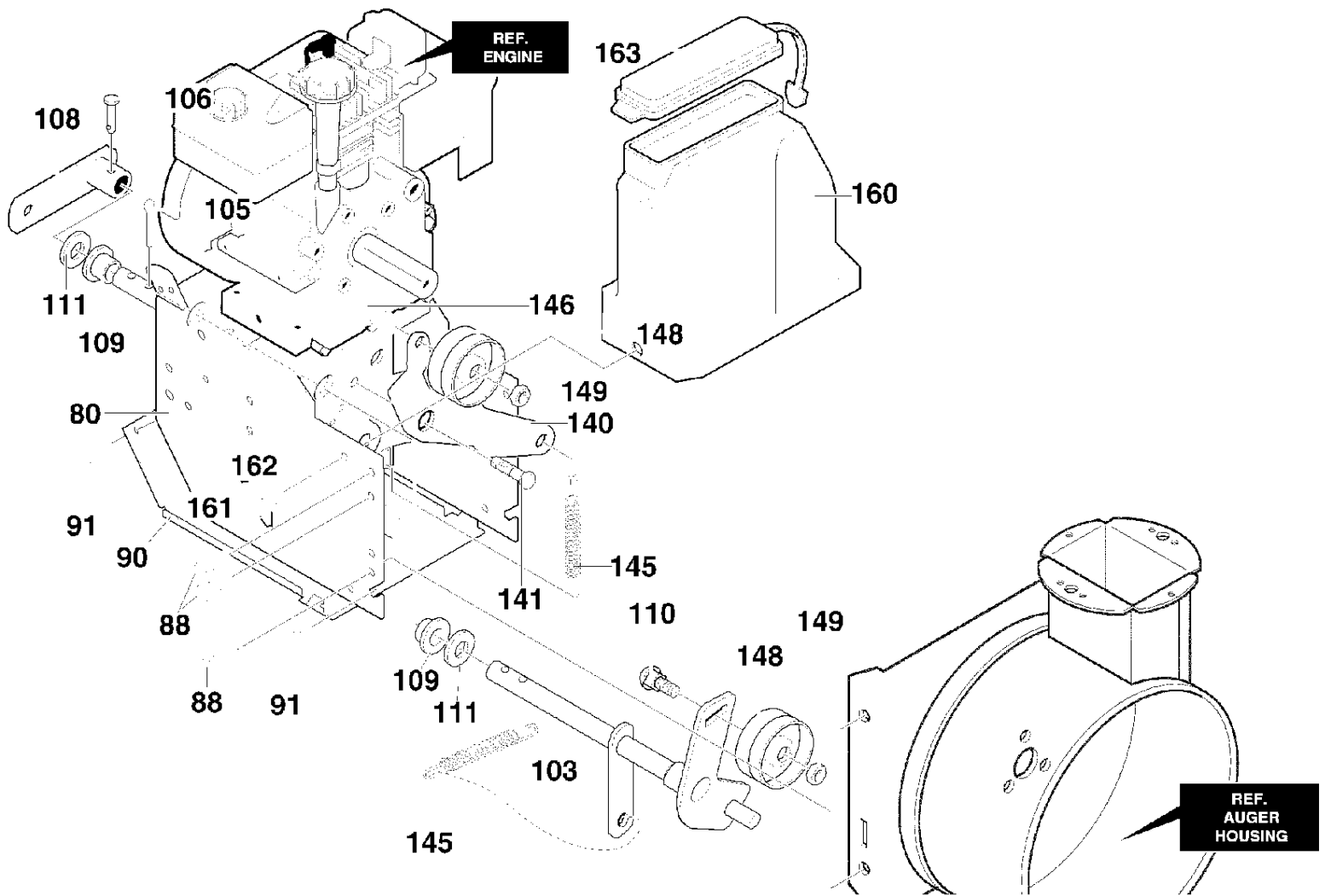
Ref #	Part Number	Qty	Description
190	761820MA		LEVER, ASSY TRACTION CLUTCH
191	53703MA		BEARING, FLANGE
192	01X16MA		RING, RET E
193	53818MA		SPRING, RETURN
195	579937MA		LEVER, SPRING
196	11871MA		SCREW, 1/4-20X .63
198	782585		NUT, 1/4-20 REGHEXCTRLK
210	583163-821		DISC, ASSY
211	583206MA		ZERK, GREASE
215	583155MA		SHAFT, HEX TRACTION
216	85501MA		BEARING, TRUNION
217	71074		FLATWASHER, .53 X1.00X.063
221	73811MA		RING, RETEX
222	580969MA		FLATWASHER, .680X1.12X.060
223	043846		BEARING, BALL
224	71371MA		KEY, SQUARE
225	580961MA		PULLEY, V3L 6.50X .56
226	580965MA		WASHER, WAVE
227	712123		FLATWASHER, .281X1.00X.063
228	071059MA		WASHER, SPLIT .26X.50X.06
229	302628MA		SCREW, 1/4-20X .75 HHC
230	334163MA		BEARING & RETAINER
231	780055MA		SCREW, 5/16-18X .50
235	579858MA		WASHER, .502X .75X.0605
240	579897MA		HEX, ASSY #40-8T W/PBRG
243	783002MA		RING, RETEX
244	71074		FLATWASHER, .53 X1.00X.063
245	337029MA		BEARING, TRUNION
246	313883		WHEEL, ASSY FRICTION
247	11871MA		SCREW, 1/4-20X .63
249	303008MA		NUT, 1/4-20 HEXKEPS
250	579858MA		WASHER, .502X .75X.0605
255	334163MA		BEARING & RETAINER
256	780055MA		SCREW, 5/16-18X .50
270	334163MA		BEARING & RETAINER
271	780055MA		SCREW, 5/16-18X .50
275	761789MA		JACK, ASSY #41-36/7
276	334163MA		BEARING & RETAINER
277	780055MA		SCREW
278	579867MA		CHAIN ROLLER



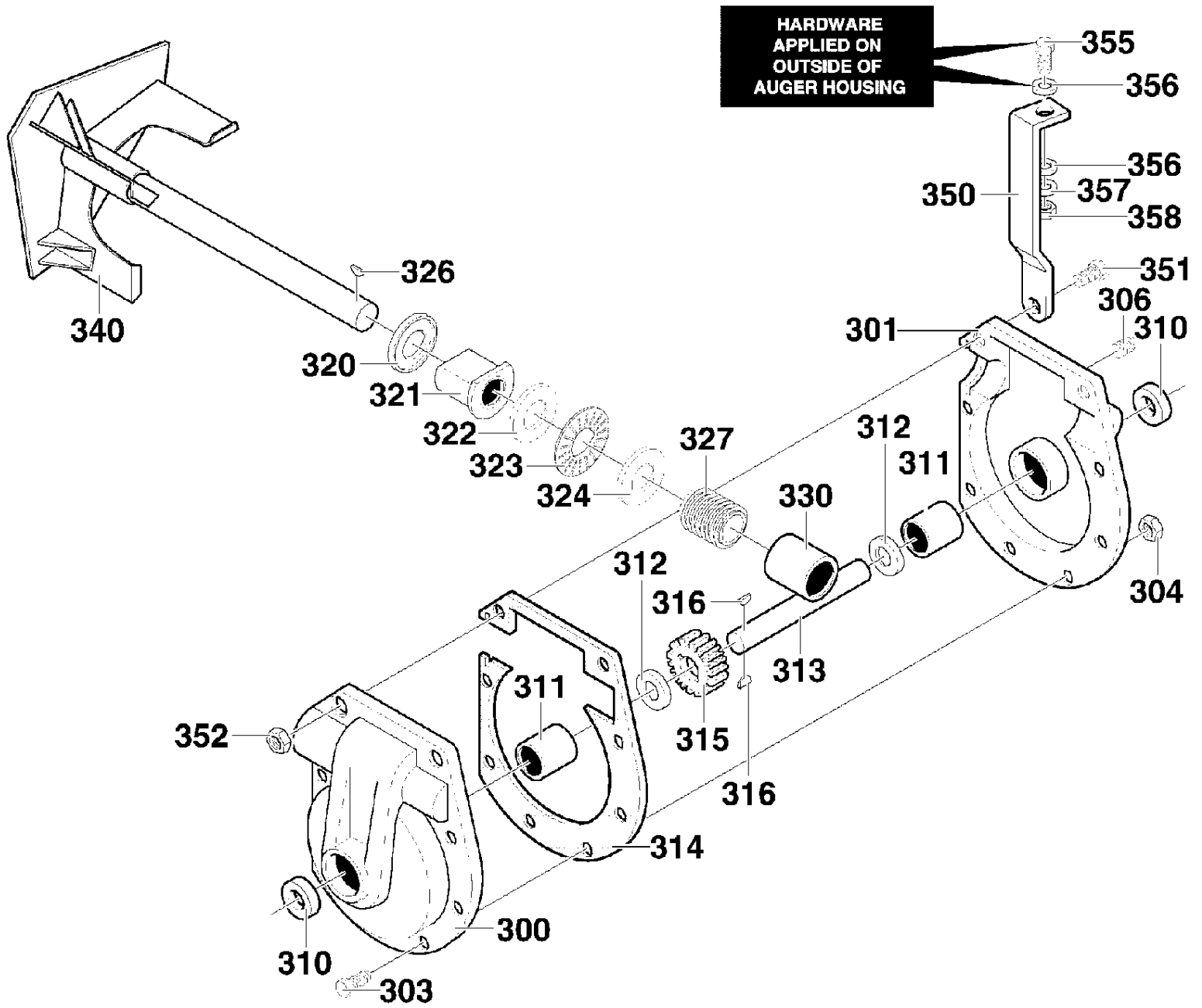
Ref #	Part Number	Qty	Description
6	762323		MOTOR, STARTER
7	6216		SCREW
8	6217		SCREW
9	6219MA		CORD, STARTER



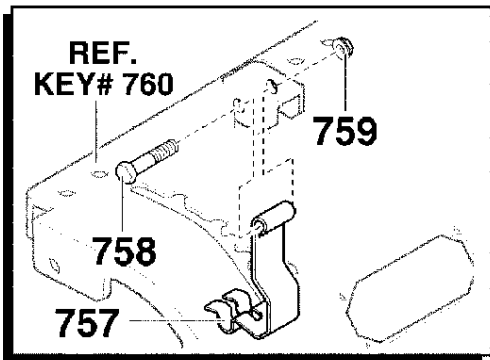
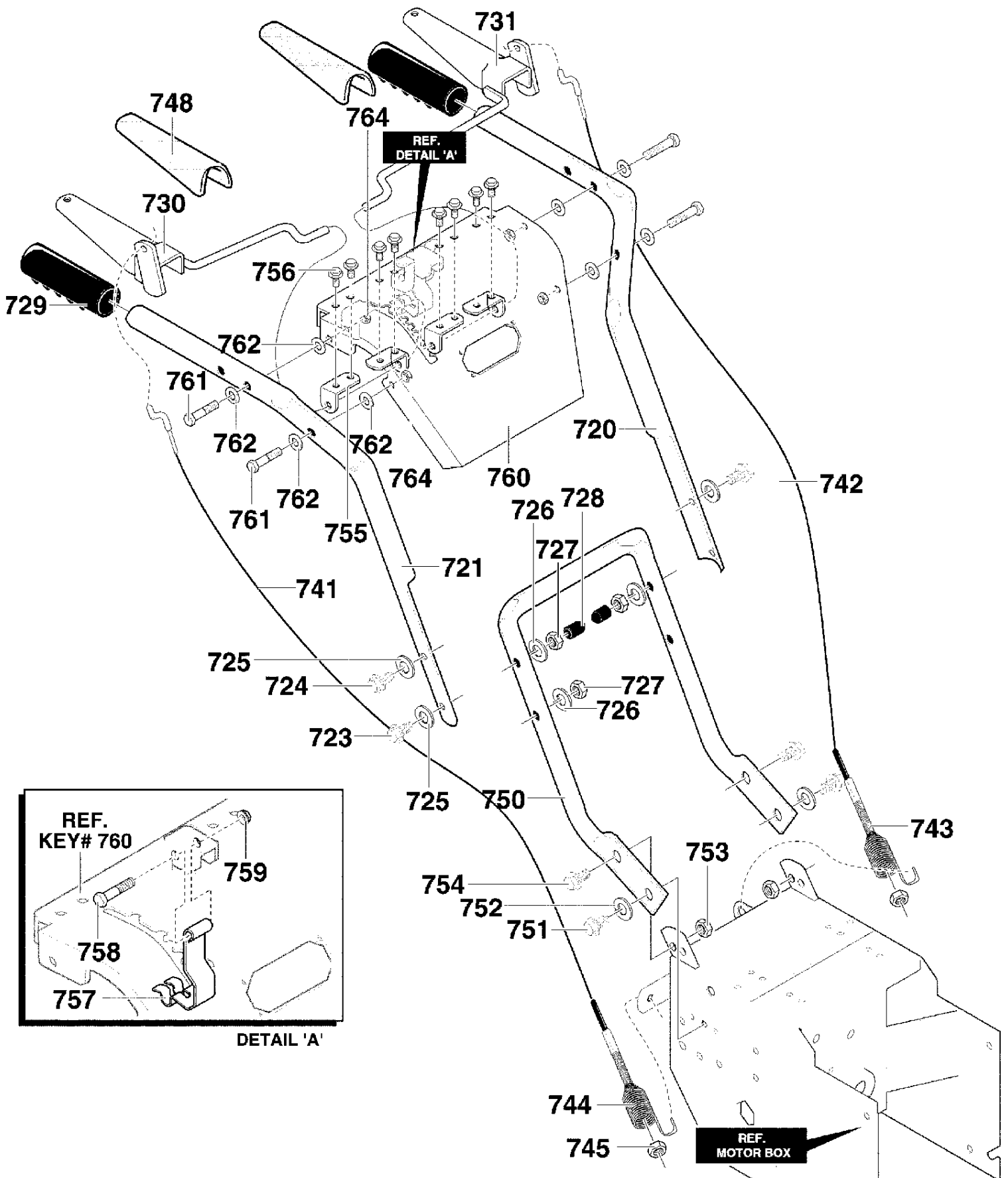
Ref #	Part Number	Qty	Description
10			ENGINE (See Engine Manual)
12	710024		SCREW, 5/16-18
13	120638		WASHER, SPTLK .31X.58X.08
41	3949MA		GUIDE, ROD BELT
42	6711MA		PLASTIC WASHER
43	120638		WASHER, SPTLK .31X.58X.08
44	910828MA		SCREW, 5/16-24X 1.00
45	762291MA		SPACER
53	579854MA		PULLEY, HALF
54	579861MA		WASHER, FLAT .752X.91X.02
57	302707		BELT, V 3L 33.13LG
58	712120MA		FLATWASHER .765X1.12X.06
59	586251MA		SPACER, SLEEVE
60	586253		PULLEY, ENGINE
63	761788MA		BELT, V 4L38.1LG
67	50677MA		WASHER, FLAT .375X1.25X.104
68	018X31MA		WASHER, HVSPTLK .38ID
69	39573MA		SCREW, 3/8-24X1.00
	F-001099J		OWNER'S MANUAL



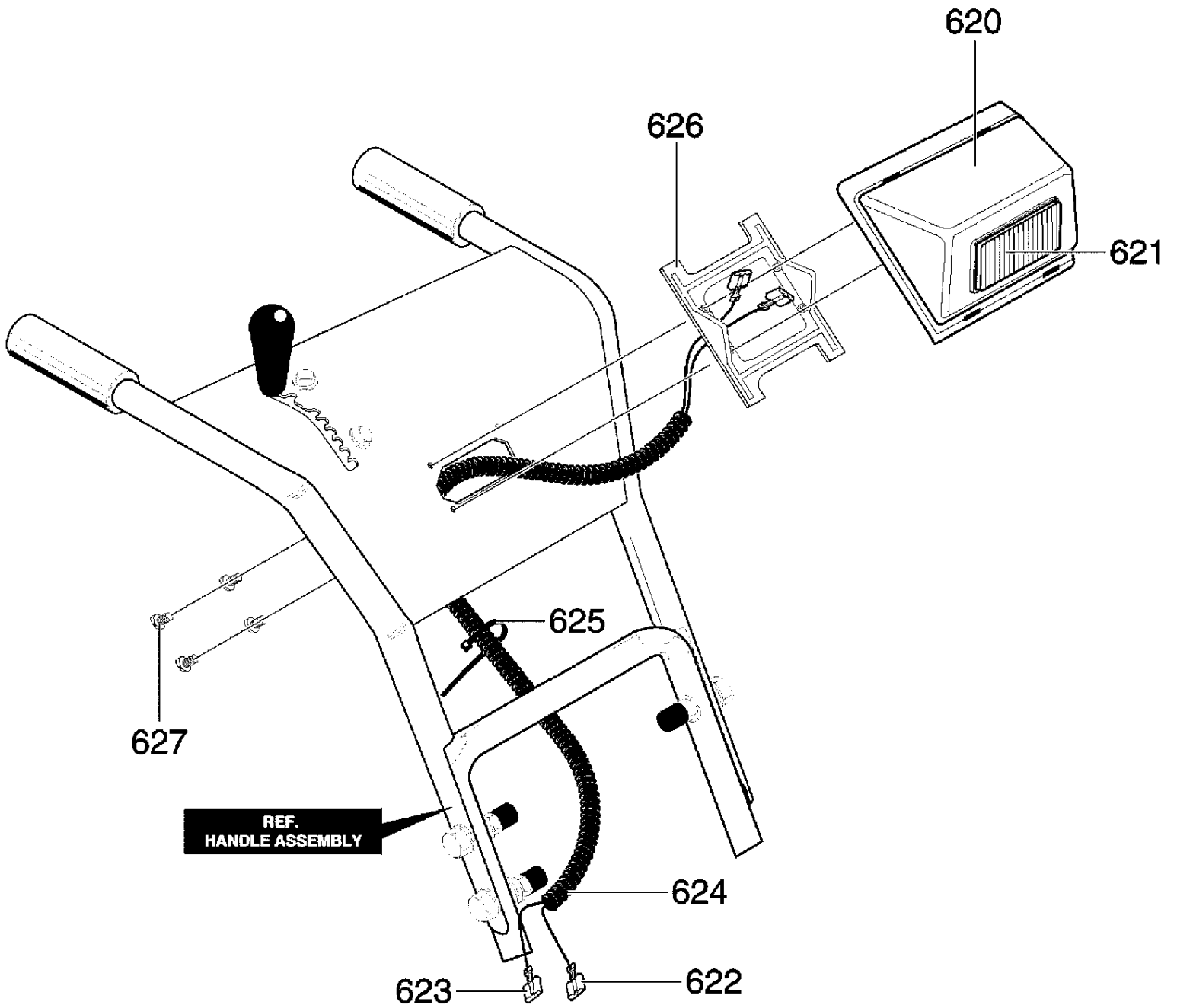
Ref #	Part Number	Qty	Description
80	761705-823		FRAME ASSY
88	780055MA		SCREW, 5/16-18X .50
90	583031-821		COVER, BOTTOM
91	310169MA		SCREW, 1/4-20X .63
103	762296MA		IDLER ASSEMBLY
105	711682MA		PIN, HAIR .38DIAX1.64LG
106	761761MA		PIN, KLIK 3/16" DIA
108	761766MA		ASSY., SPRING ATTACH
109	53703MA		BEARING, FL.
110	585781MA		BOLT, 3/8-16X1.25 CARR.
111	711617		WASHER, FLAT
140	761701MA		LEVER, IDLER ARM TRACTION
141	329989MA		BOLT, .625X.135 HSH 5/16-18
145	53704MA		IDLER SPRING TRACTION DRIVE
146	761760		SCREW, 3/8-16X1.25
148	50793MA		PULLEY, IDLER
149	41529MA		NUT, 3/8-16
160	761166		COVER, BELT
161	310169MA		SCREW, 1/4-20X .63
162	071067MA		WASHER, FLAT
163	761167		LID, BELT COVER



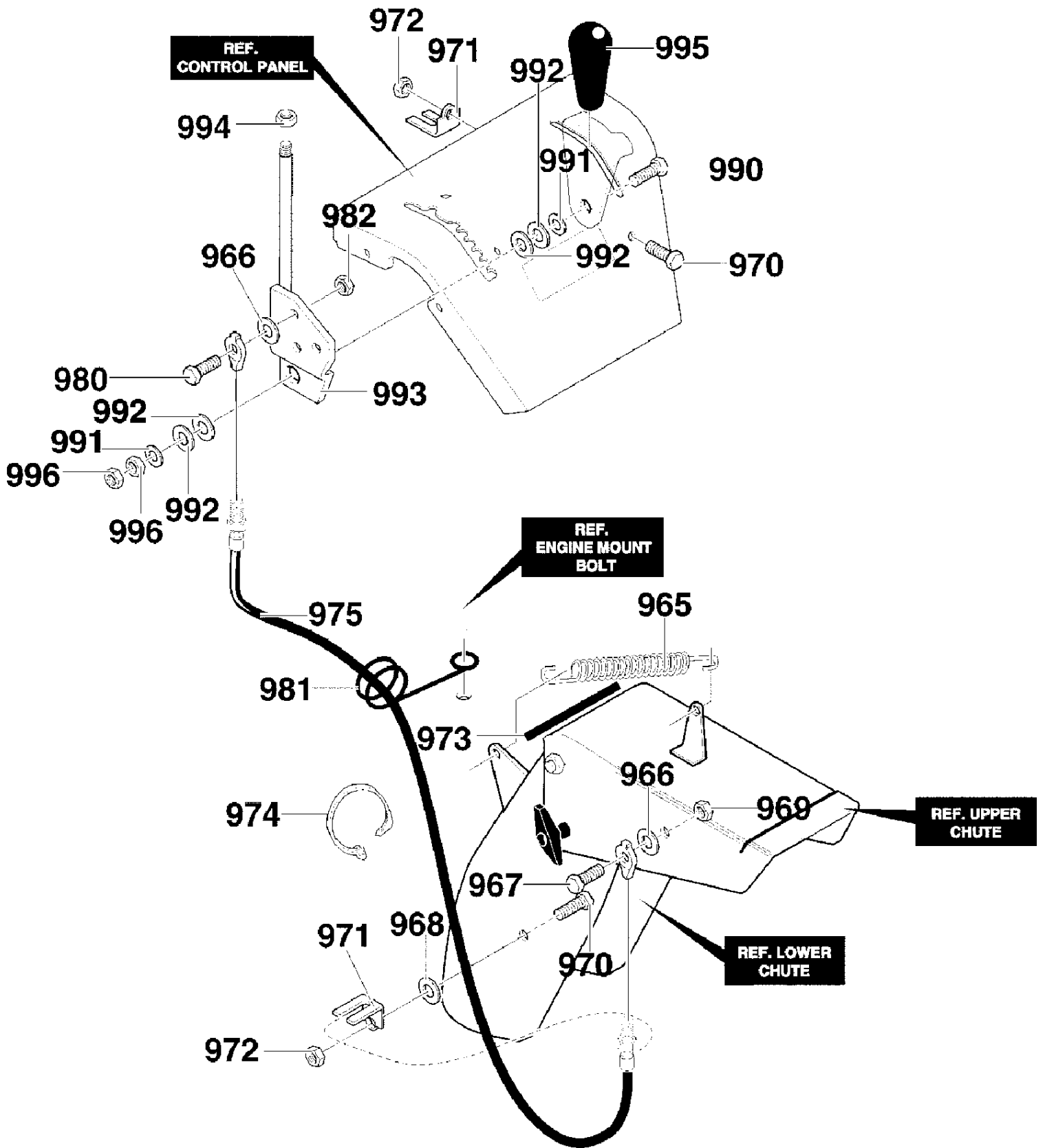
Ref #	Part Number	Qty	Description
300	896MA		CASE, GEAR, RH
301	895MA		CASE, GEAR, LH
303	910828MA		SCREW, 5/16-24X1,00
304	71100MA		NUT, 5/16-24
306	313872		PIPE PLUG
310	780151MA		SEAL, OIL
311	313870MA		BEARING, SLEEVE
312	313871		WASHER, FLAT 1.00X1.54X.09
313	760411MA		SHAFT, AUGER OUTPUT
314	897MA		GASKET, GEAR BOX
315	53730MA		WORM GEAR
316	73905MA		KEY, WOODRUFF #91
320	313914		RING, QUAD
321	583126MA		BEARING, FL
322	48275MA		WASHER, FLAT
323	313828		BEARING, ROLL
324	48275MA		WASHER, FLAT
326	50795MA		KEY
327	313862		WORM GEAR
330	53731MA		BEARING, SLEEVE
340	761609-821		IMPELLER
350	5524MA		BRACE, GEAR BOX
351	1441MA		SCREW 5/16-24X1.75
352	71100MA		NUT, 5/16-24 HEXWDFLLK
355	302636MA		SCREW, 5/16-18X1.25
356	120393		WASHER, FLAT .349X.69X.066
357	120638		WASHER, SPTLK .31X.58X.08
358	71037		NUT, 5/16-18 REGHEX
	333431MA		10oz TUBE LUBRIPLATE



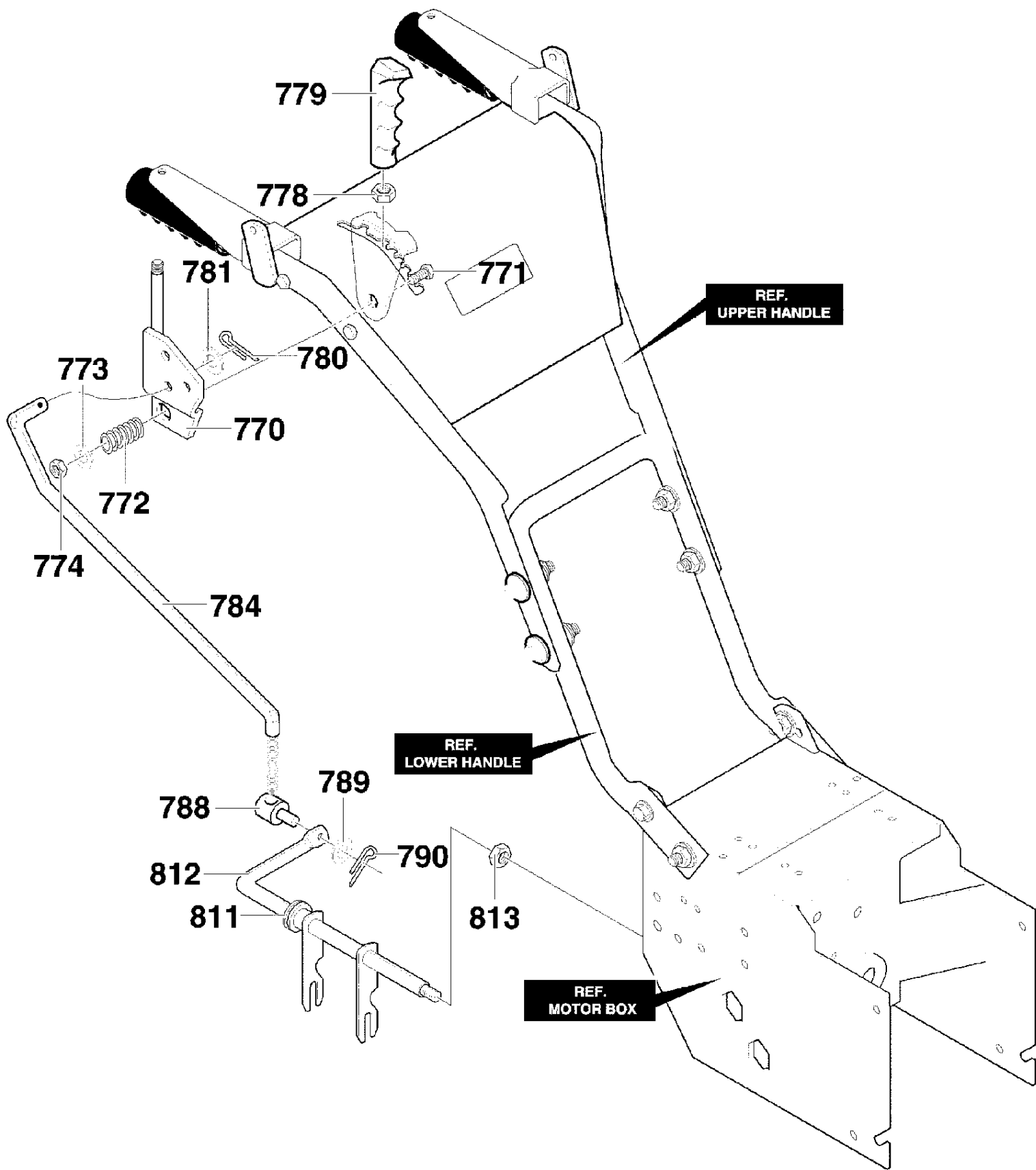
Ref #	Part Number	Qty	Description
720	5113-821		HANDLE, UPPER LH
721	5115-821		HANDLE, UPPER RH
723	71007		SCREW, 3/8-16X2.00
724	7288MA		SCREW, 3/8-16X3.00
725	71072		WASHER, FLAT
726	018X31MA		WASHER, .38ID
727	780072MA		NUT, 3/8-16
728	7289MA		STOP, PLASTIC
729	761209MA		GRIP, HANDLE
730	761213		ASSY, CLUTCH LEVER RH
731	761212		ASSY, CLUTCH LEVER LH
741	761590MA		CABLE, CLUTCH 27.50"
742	1580MA		CABLE, CLUTCH 32.19"
743	579869MA		SPRING, TENSION
744	1673MA		SPRING, AUGER CLUTCH
745	780029		NUT, 1/4-20 HEX NYLOCK
748	760992MA		GRIP, CLUTCH HANDLE
750	5543-821		HANDLE, LOWER
751	70984		SCREW, 5/16-18X .75
752	120638		WASHER, .31X.58X.08
753	1498		NUT, 5/16-18
754	782967MA		SCREW, 5/16-18X .75
755	760262		BRACKET, ROD GUIDE
756	760858MA		SCREW 1/4-20X.38
757	760227MA		SPRING, CAM LOCK
758	45526		BOLT, HSSH 5/16-18
759	71038		NUT, 5/16-18 HEXNYL
760	760293-823		ASSY, PANEL
761	302900MA		SCREW 5/16-18X1.75
762	120393		FLATWASHER
764	710026		NUT 5/16-18



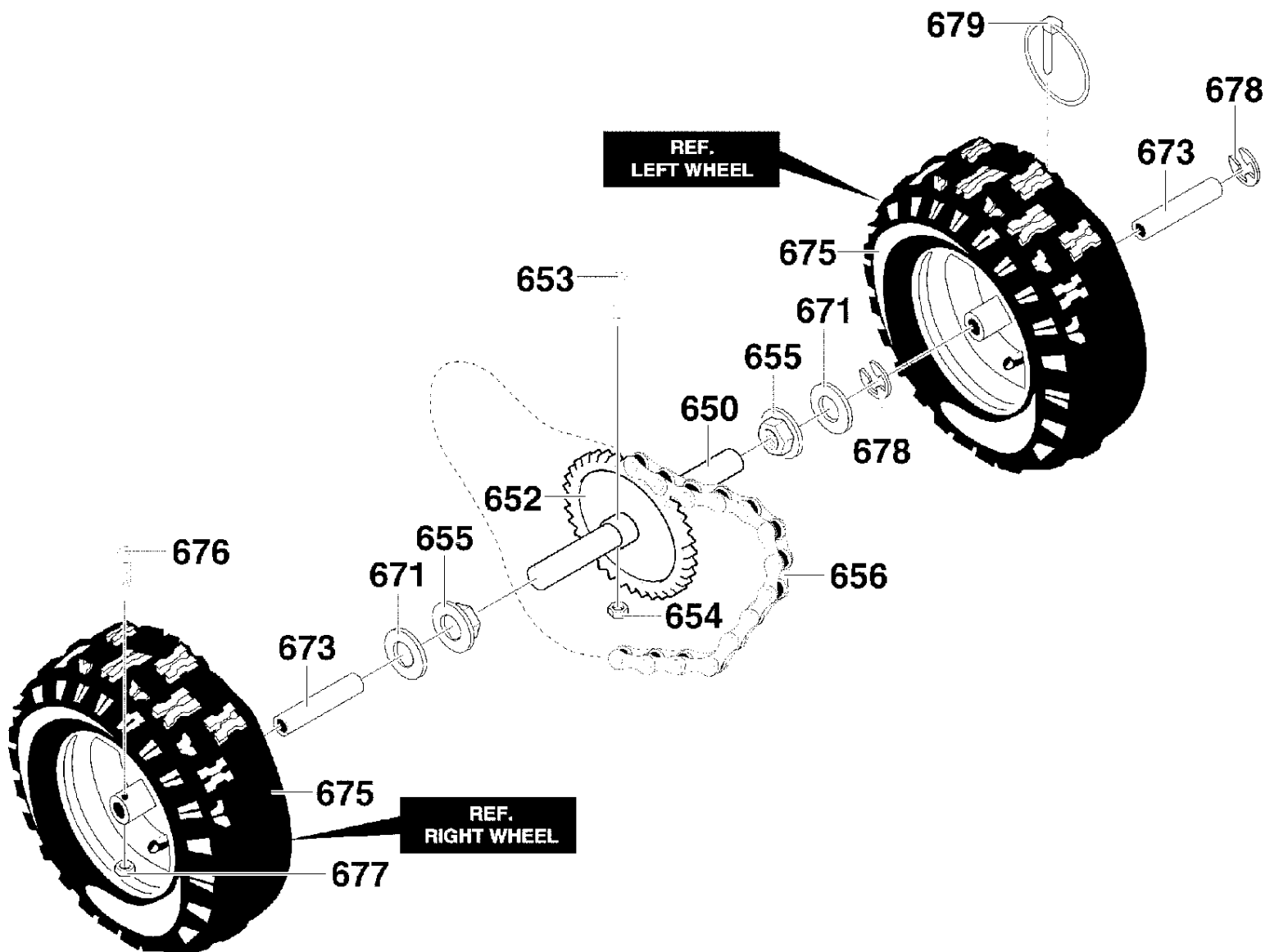
Ref #	Part Number	Qty	Description
620	584731MA		HEADLAMP HOUSING
621	581575MA		HEADLIGHT ASSY
622	305743		LIGHT, BEZEL
623	305740		WIRE, HEADLIGHT
624	6636		CONDUIT, SPLIT
625	57444		CABLE TIE
626	584732MA		BRACKET, HEADLAMP
627	316042MA		SCREW



Ref #	Part Number	Qty	Description
965	318468MA		SPRING, TENSION
966	711666		FLATWASHER
967	310088MA		BOLT, 1/4-20 HSSH
968	73787MA		FLATWASHER
969	302635		NUT, 1/4-20
970	313676		SCREW, 5/16-18X.75
971	780066		BRACKET, CABLE CHUTE
972	1498		NUT, 5/16-18
973	779024		TRIM 4.50 IN.
974	760113MA		CABLE TIE
975	761131MA		CABLE, CHUTE CONTROL RH
980	310088MA		BOLT, 1/4-20 HSSH
981	780220MA		WIRE FORM REMOTE CHUTE
982	302635		NUT, 1/4-20
990	180128MA		SCREW 3/8-16X1.75
991	71072		FLATWASHER
992	4051MA		WASHER, SPRING
993	85031		HANDLE ASSY., SPEED CONTROL
994	780072MA		NUT, 3/8-16
995	304728MA		HANDLE 3/8-16
996	71046		NUT, 3/8-16



Ref #	Part Number	Qty	Description
770	85031		HANDLE ASSY SPD CTRL
771	71007		SCREW 3/8-16X2.00
772	50786MA		SPRING
773	71072		FLATWASHER
774	71046		NUT, 3/8-16
778	780072MA		NUT, 3/8-16
779	304728MA		HANDLE 3/8-16
780	030X20MA		PIN, COTTER
781	120393		FLATWASHER
784	330635MA		ROD, SPEED CONTROL
788	584593		NUT, TRUNNION
789	120393		FLATWASHER
790	030X20MA		COTTER PIN
811	579944MA		BEARING, FLANGE
812	337436		ROD, ASSY YOKE
813	071111		NUT, 3/8-16



Ref #	Part Number	Qty	Description
650	583017MA		SHAFT, AXLE
652	583007		SPKLT & HUB
653	633174x89B Dual Stage Snow Thrower (2000)		
654	73839MA Wheels Assembly		SCREW, 1/4-20X2.25
655	581730MA		NUT, 1/4-20 HEX NYLOCK
656	583013MA		BRNG, FL
671	712120MA		CHAIN, ROLLER
673	585591MA		FLATWASHER .765X1.12X.06
675	584535MA		BUSHING, WHEEL
676	577015MA		TIRE & RIM
677	780029		SCREW, 1/4-20X1.75 HH
678	239MA		NUT, 1/4-20 HEX NYLOCK
679	73842MA		RING, RET PIN, KLIK .25 X 1.38 DIA