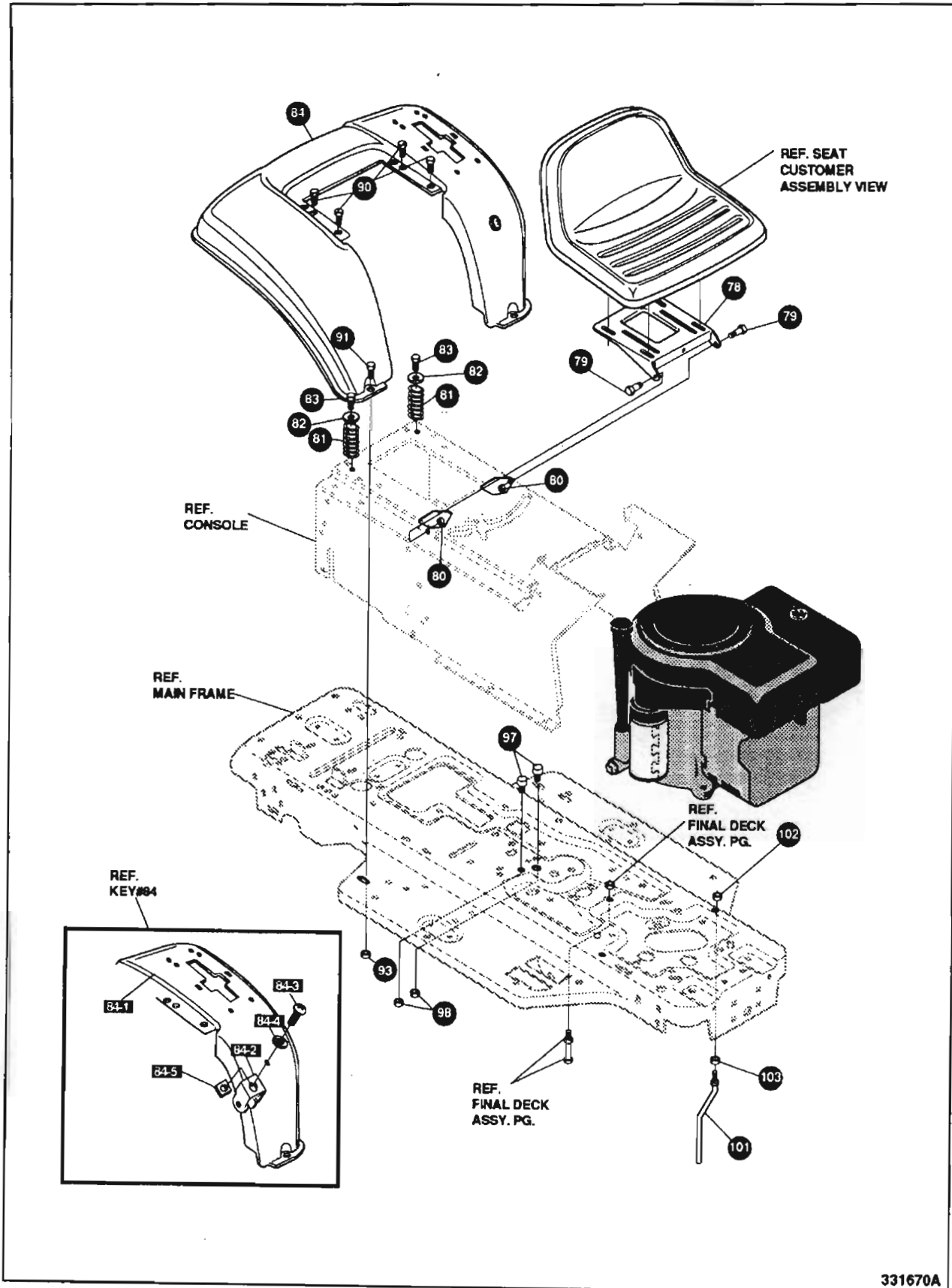
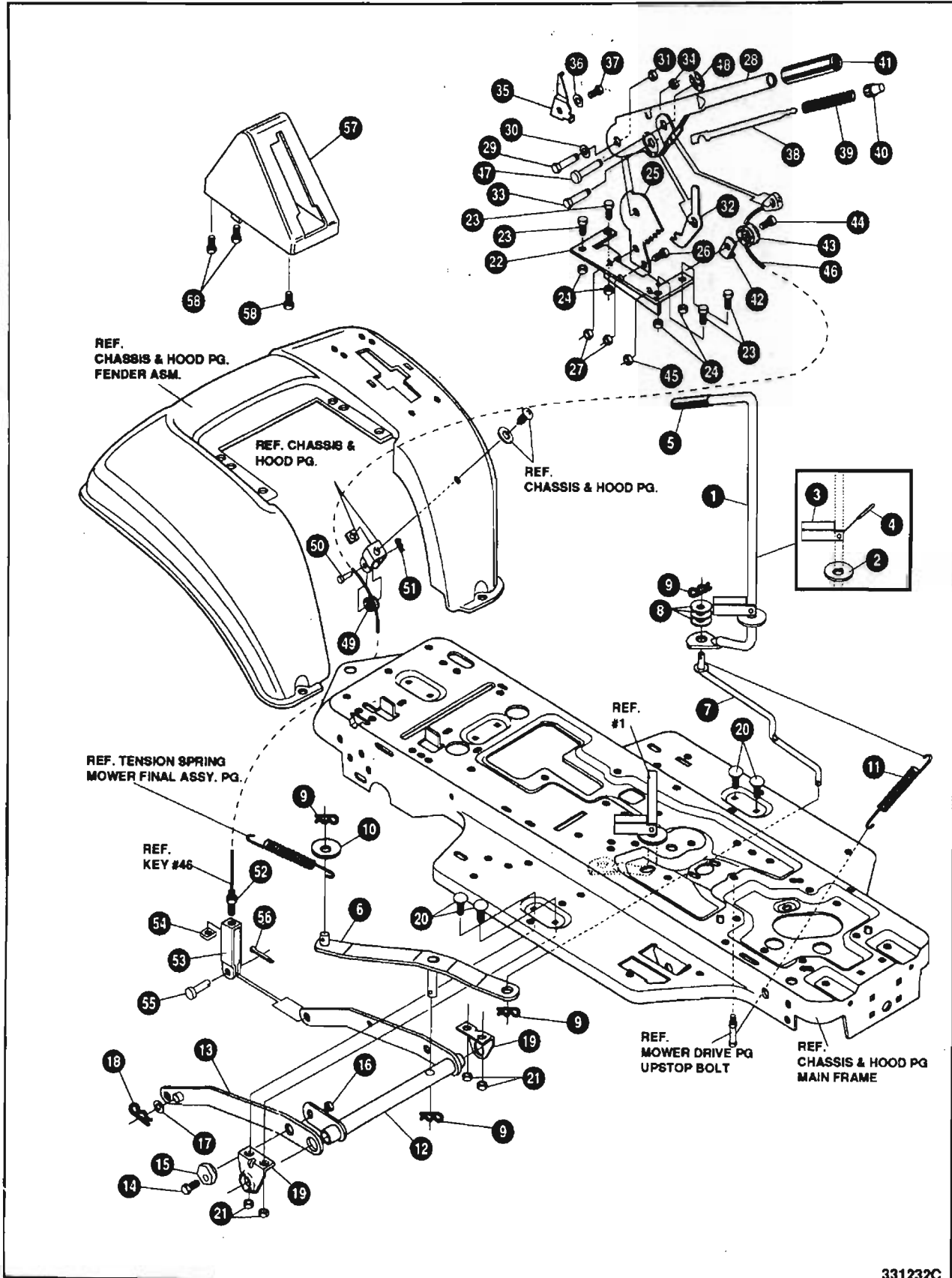


KEY#	PART#	DESCRIPTION	QTY
1	331173-853	FRAME, MAIN	1
2	331834	FOOT PAD, RH SF, FULL WIDTH	1
3	331835	FOOT PAD, LH SF, FULL WIDTH	1
5	313001-853	BRACKET, GRILLE SUPPORT LH	1
6	313002-853	BRACKET, GRILLE RH	1
7	56362-853	BRACKET, SUPPORT, FRONT AXLE-SF	1
8	328154	SCREW, 5/16-18X1.0WDFLLK	6
9	55273	NUT, 5/16-18 HXWDFLLK	6
10	312908-853	SHIELD, HEAT	1
11	180020	SCREW, 1/4-20X .75 HHC	2
12	311245	WASHER, FLAT .250X .75X INSULATE	2
13	1502	NUT, 1/4-20 REGHEXCTRLK	2
14	29616	BOLT, .625X1.890 HSH 1/2-20	1
15	274654	NUT, 1/2-20 REGHEXCTRLK	1
16	180138	SCREW, 3/8-16X3.00 HHC	2
17	2483	WASHER, .391DX1.25DX.07 BELLVIL	2
18	1499	NUT, 3/8-16 REGHEXCTRLK	2
19	331796-860	CONSOLE, DASH	1
20	56235-860	CONSOLE, REAR COVER	1
21	995346	SCREW, 1/4-20X .50 WAHTAP	15
22	320466-860	DASH	1
23	995338	SCREW, 1/4-20X .63 WAHTAP	6
24	50352	NUT, 1/4-20 WDFLLK TOPLOCK	4
25	313021-853	GUIDE, HOOD	2
26	180018	SCREW, 1/4-20X .62 HHC	2
27	51335	NUT, 1/4-20 WDFLWHIZ-LK	2
28	12506	HOOD SMALL	1
29	56676	BOLT, .375X .580 HSH 5/16-18	1
30	1498	NUT, 5/16-18 REGHEXCTRLK	1
31	180037	SCREW, 1/4-20X1.63 HHC	1
32	120392	WASHER, FLAT .281X .63X.065	3
33	309532	BEARING FLANGED PLASTIC HOOD	1
34	311245	WASHER, FLAT .250X .75X INSULATE	1
35	1502	NUT, 1/4-20 REGHEXCTRLK	1
36	310801	ANCHOR, HOOD LANYARD	1
37	121222	PIN, COTTER .090 DIA X .75LG	1
38	304784	SPRING, HOOD LATCH	1
40	302670	LENS, HEADLAMP	1
41	301452	FOIL, HEAT REFLECTOR	1
	333657	PARTS MANUAL	1
	333670	OPERATOR'S MANUAL	1
	327716	GRASS CATCHER MANUAL	1



KEY#	PART#	DESCRIPTION	QTY
78	331535-853	PLATE, SEAT	1
79	20507	BOLT, .437X .156 HSH 5/16-18Z	2
80	1498	NUT, 5/16-18 REGHEXCTRLK	2
81	330463	SPRING, SEAT 1.50DX2.25LG	2
82	120392	WASHER, FLAT .281X .63X.065	2
83	995346	SCREW, 1/4-20X .50 WAHTAP	2
84	*	FENDER ASSEMBLY	1
84-1	327335-860	FENDER	1
84-2	9239	CLEVIS	1
84-3	439455	SCREW, 5/16-18X .56PHPNMA BKPH	1
84-4	301551	WASHER, .3441DX1.50DX.09 CU	1
84-5	120373	NUT, 5/16-18 SQ	1
90	995346	SCREW, 1/4-20X .50 WAHTAP	4
91	126216	BOLT, 5/16-18X .75 CARRIAGE	2
93	55273	NUT, 5/16-18 HXWDFLLK	2
97	53446	PIN, 5/16-18 HOOD LATCH	2
98	271184	NUT, 5/16-18 HEXKEPS	2
101	50653	GUIDE, BELT	1
102	41529	NUT, 3/8-16 HXCTRLKJAM	1
103	271190	NUT, 3/8-16 HEXKEPS	1

* ORDER INDIVIDUAL PARTS.

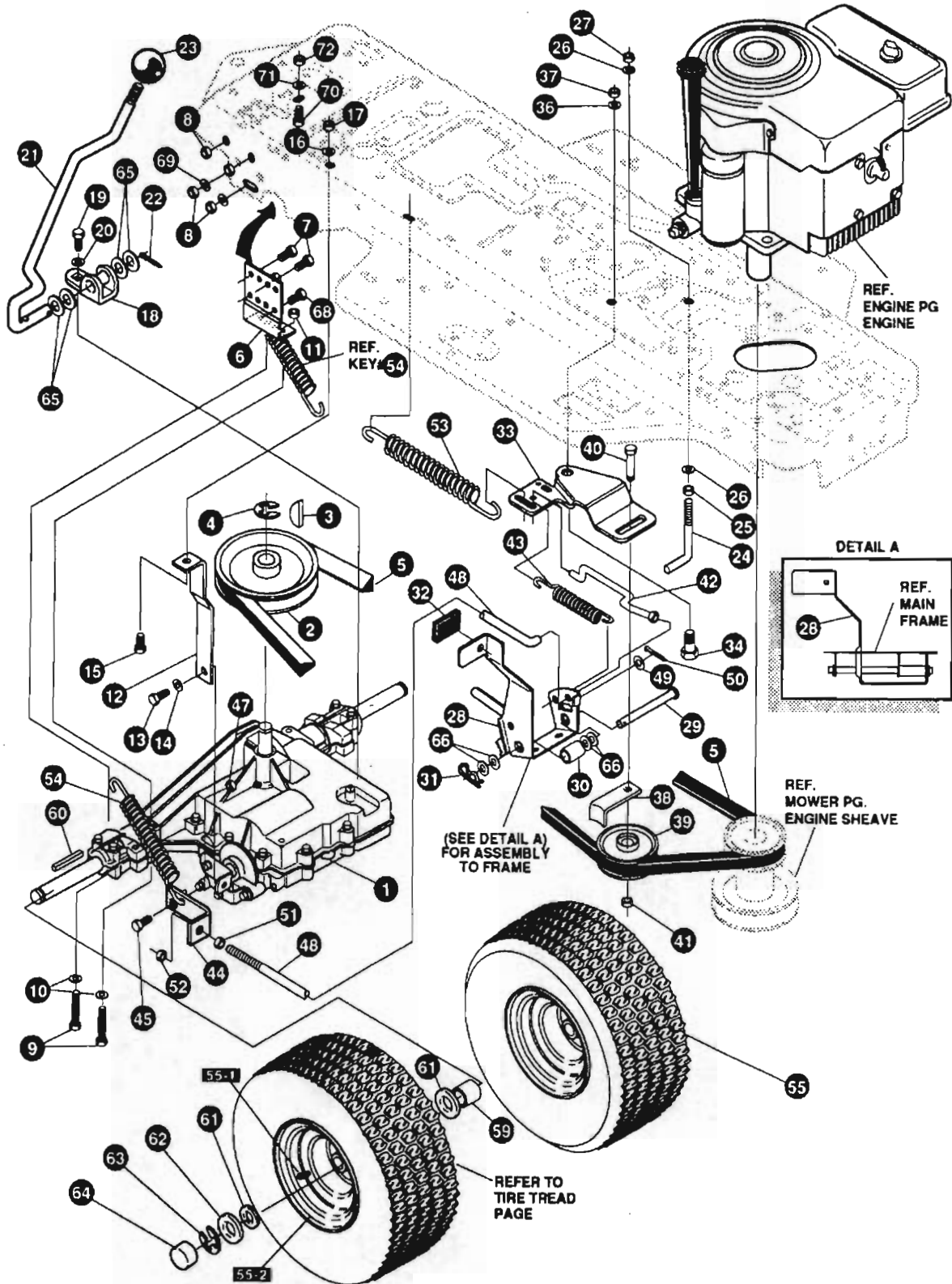


KEY#	PART#	DESCRIPTION	QTY
1	325591	LEVER,CLUTCH RH PTO	1
2	22265	WASHER, FLAT .515X1.38X.119	1
3	305225	STOP, PTO ENGAGE	1
4	326386	PIN, SPRING.187DIAX1.13LG HD	1
5	331624-853	KNOB, ROUND 1.50DIA OR GRIP	1
6	325587	STRAP ASSY, PTO BELCRANK	1
7	325590	ROD, BELCRANK LINK	1
8	274517	WASHER, FLAT .406X .73X.063	3
9	8260	PIN, HAIR .091 DIAX1.66LG	4
10	25210	WASHER, FLAT .386X1.25X.09HT	1
11	325802	SPRING, 69X7.75X.0897TENSION	1
12	326114-853	LIFT ASSY,LH	1
13	325130-853	LIFT ASSY, RH	1
14	180079	SCREW, 5/16-18X1.00 HHC	1
15	58247	NUT, ADJUST	1
16	1498	NUT, 5/16-18 REGHEXCTRLK	1
17	417098	WASHER, FLAT .531X1.06X.063	2
18	8260	PIN, HAIR .091 DIAX1.66LG	2
19	325495-853	BRACKET, REAR HANG SUSP	2
20	330967	BOLT, 5/16-18X1.00 CAR	4
21	1498	NUT, 5/16-18 REGHEXCTRLK	4
22	313926	BRACKET, HGT/ADJUST SUPPORT	1
23	180077	SCREW, 5/16-18X .75 HHC	4
24	1498	NUT, 5/16-18 REGHEXCTRLK	4
25	301238	QUADRANT,HEIGHT ADJUST	1
26	180077	SCREW, 5/16-18X .75 HHC	2
27	1498	NUT, 5/16-18 REGHEXCTRLK	2
28	322292-853	HANDLE, LIFT SHORT	1
29	300171	BOLT, .500X .270 HSSH 5/16-18	1
30	996418	WASHER, FLAT .506X .75X.024	1
31	44108	NUT, 5/16-18 HWDFLCTRLK	1
32	301239	PAWL, SQUARE	1
33	300171	BOLT, .500X .270 HSSH 5/16-18	1
34	44108	NUT, 5/16-18 HWDFLCTRLK	1
35	9435	POINTER, HEIGHT ADJ	1
36	138479	WASHER, EXLK .195X.41X.03	1
37	35287	SCREW, #8-32X .38 HHWATAP	1
38	303027	ROD,ACTUATOR-SHORT	1
39	58326	SPRING, HEIGHT ADJUST	1
40	58325	KNOB, HEIGHT ADJ PUSH BUTTON	1
41	58329	GRIP, .750 OD W/ HOLE BLACK	1
42	9149	BRKT, CABLE RETAIN	1
43	48306	PULLEY, POWDER METAL	1
44	58336	BOLT, .375X .375 HSSH 1/4-20	1
45	1502	NUT, 1/4-20 REGHEXCTRLK	1
46	57511	LIFT CABLE 20.75LG	1
47	300310	PIN, CLEVIS .310DIA+ .475LG	1
48	300311	RING, RET E .31X.25TRUX5133-31	1
49	48306	PULLEY, POWDER METAL	1
50	300317	PIN, CLEVIS .375DIA X .81 LG	1
51	8260	PIN, HAIR .091 DIAX1.66LG	1
52	120375	NUT, 1/4-20 REGHEX	1
53	9405	CLEVIS, LIFT CABLE	1
54	120372	NUT, 1/4-20 REGSQ	1
55	39522	PIN, CLEVIS .312 X .812	1
56	121222	PIN, COTTER .090 DIAX .75LG	1
57	300335	LIFT COVER-39"	1
58	300340	SCREW, #10 X .75 HHPLAST BLK	3

KEY#	PART#	DESCRIPTION	QTY
1	*	AXLE FRONT ASSY, SF LONG	1
1-1	324915-853	ASSY FRONT AXLE	1
1-2	50546	BEARING, FL .759IDX1.002ODX .75	4
1-3	310368	SPINDLE,ASSY,RH LONG	1
1-4	36625	RING, RETEX .57X.05TRU5133-75	1
1-5	310367	SPINDLE,ASSY,LH LONG	1
1-6	327619-853	ARM ASSY SF 4WS FRNT STRNG	1
1-7	454565	PIN, SPRING.250DIAX1.25LG HV	1
2	302688	ASSY,TIE ROD 19.31 LG	1
3	180124	SCREW, 3/8-16X1.25 HHC	2
4	120382	WASHER, REGSPTLK.393X.68X.10	2
5	1499	NUT, 3/8-16 REGHXCTRLK	2
6	324752	GEAR, SECTOR SF4WS	1
7	333289	PLATE SECT SF 4WS BLK	2
8	330021	BUSHING, SECTOR GEAR SF 4WS	1
9	181643	SCREW, 3/8-24X1.50 HHC	1
10	845	WASHER, FLAT .390X1.25X.119	2
11	412349	NUT, 3/8-24 HXCTRLK	1
12	328808	DRAG LINK ASSY 17.69LG	1
12-1	57158	BALL JOINT 3/8 THD SHORT STUD	2
12-2	124925	NUT, 3/8-24 REGHEXJAM	2
12-3	56190	DRAG LINK	1
13	120382	WASHER, REGSPTLK.393X.68X.10	2
14	120369	NUT, 3/8-24 REGHEX	2
15	327834	SHAFT, PIN-STEER BLK	1
16	325692	BEARING, FL .50 IDX1.370ODX	1
17	326505	SCREW 1/4-20X.75 (TQ 30-35 FT#)	2
18	46931	NUT, 1/4-20 WDFL MAC-LOCK	2
19	20864	RING, RET E .39X.04TRU5133-50	1
20	302828	TIRE & RIM, PU 15X6.0X6 TURWHI	2
		TIRE	
20-1	24167	VALVE STEM	
20-2	39829	HUB	
20-3	314416	BEARING	
34	642	WASHER, FLAT .755X1.31X.075	4
35	36625	RING, RETEX .57X.05TRU5133-75	2
36	40394	HUB CAP, 1.500ID X 7/8LG	2
37	180124	SCREW, 3/8-16X1.25 HHC	1
38	120394	WASHER, FLAT .406X.81X.065	2
39	45171	NUT, 3/8-16 HWDFL WHIZ-LOCK ZN	1

* ORDER INDIVIDUAL PARTS.

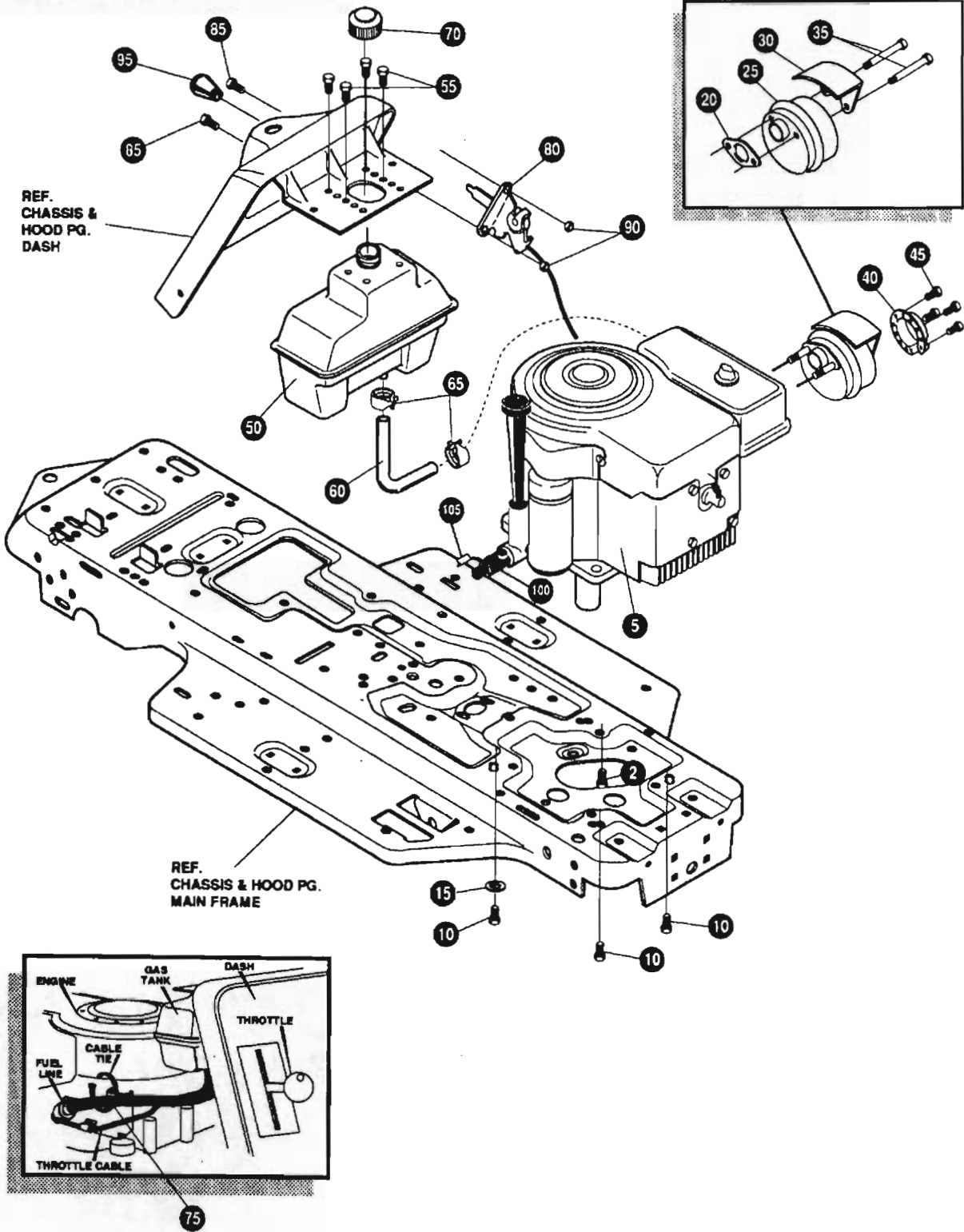
MOTION DRIVE ASSEMBLY



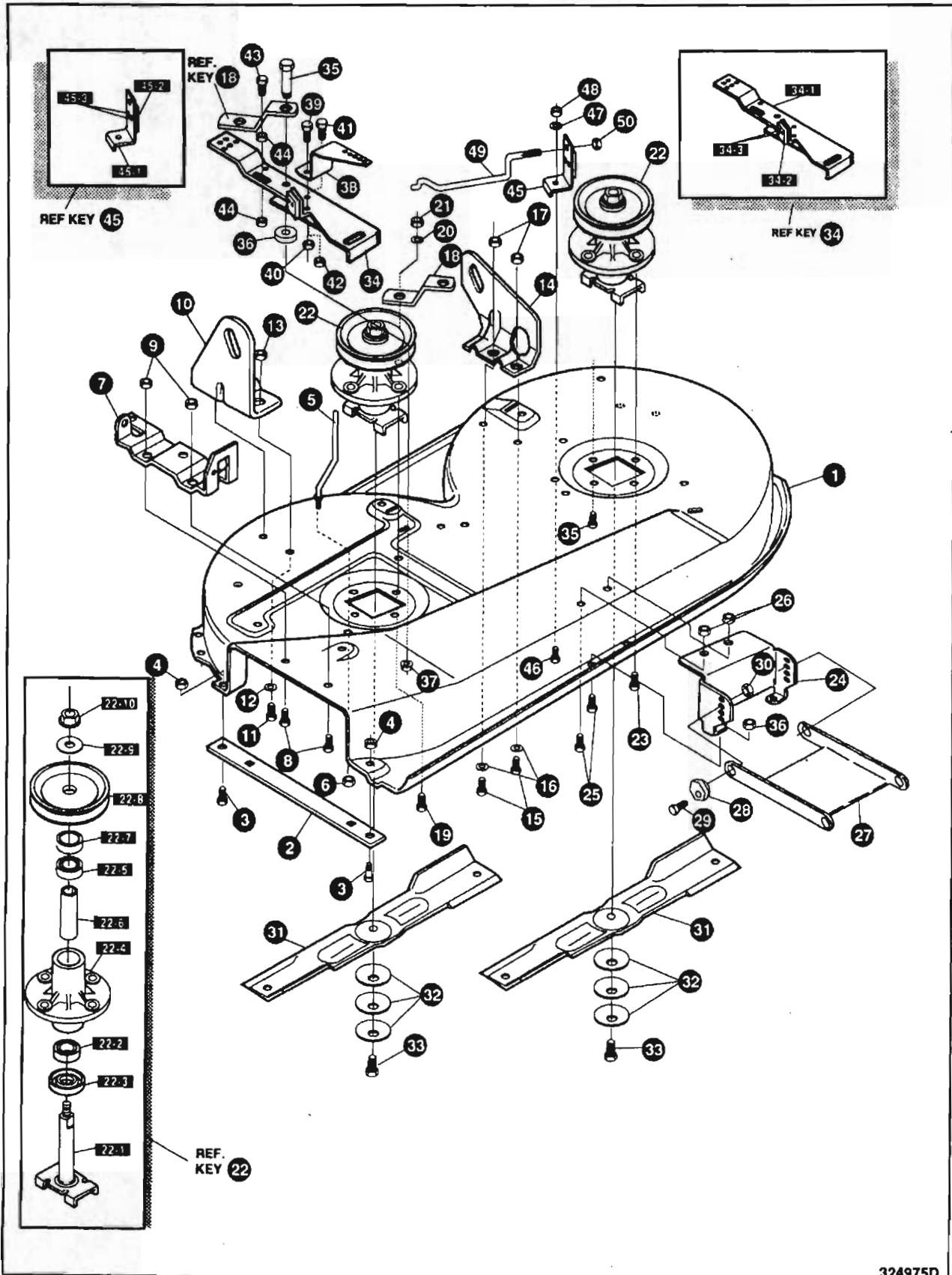
KEY#	PART#	DESCRIPTION	QTY
1	*	TRANSAXLE FOOTE 4360-5	1
2	303109	PULLEY, 6.6 OD V4L T/A	1
3	50795	KEY, HI-PRO 606 .75DIA X.187WD	1
4	22053	RING, RETEX .58X.035TRU5100-62	1
5	54758	BELT, V 4L 82.00 SF DRIVE	1
6	326615-853	BRACKET, TRANSAXLE	2
7	180077	SCREW, 5/16-18X .75 HHC	4
8	1498	NUT, 5/16-18 REGHEXCTRLK	8
9	180091	SCREW, 5/16-18X2.50 HHC	4
10	120393	WASHER, FLAT .344X .69X.065	4
11	1498	NUT, 5/16-18 REGHEXCTRLK	4
12	323126	BRACKET, STABILIZER BLK	1
13	35498	SCREW, 5/16-18X .75 WAHHTAP	1
14	120638	WASHER, HVSP TLK .328X.60X.09	1
15	180079	SCREW, 5/16-18X1.00 HHC	1
16	138485	WASHER, EXLK .320X.61X.03	1
17	1498	NUT, 5/16-18 REGHEXCTRLK	1
18	331393	BRACKET, SHIFT F4360	1
19	56255	SCREW, 1/4-28X .75 NYLHHC	1
20	57157	WASHER, .750X.250 SP-TRANSAXLE	1
21	331800	SHIFT LEVER (DANA)	1
22	137185	PIN, COTTER .125 DIA X1.00LG	1
23	55514	KNOB, ROUND 1.50 DIA BLACK	1
24	49896	BELT GUIDE	1
25	271184	NUT, 5/16-18 HEXKEPS	1
26	120393	WASHER, FLAT .344X .69X.065	2
27	1498	NUT, 5/16-18 REGHEXCTRLK	1
28	331836	ASSY, PEDAL, BRAKE, CLUTCH	1
29	319676	PIN, CLEVIS .500DX4.87LG	1
30	331972	SPACER, SLEV .53 X .62X1.240	1
31	56180	PIN, HAIR .091 DIA X1.62LG	1
32	48761	PAD, CLUTCH/BRAKE PEDAL	1
33	321969	IDLER ARM BRKT TRACTION	1
34	329989	BOLT, .625X .135 HSSH 5/16-18	1
36	45602	WASHER, FLAT .333X .87X.119	1
37	1498	NUT, 5/16-18 REGHEXCTRLK	1
38	39659	RETAINER, BELT	1
39	35374	PULLEY, IDLER V4L 3.06X .62	1
40	45892	BOLT, 3/8-16X1.50 CARRSN	1
41	1499	NUT, 3/8-16 REGHXCTRLK	1
42	333175	CLUTCH ROD ASSY, .268 DIA 3.92	1
43	326780	SPRING, 3/8ODX2.18 X.055 TENSIO	1
44	323127	BRACKET, BRAKE ROD BLK	1
45	20507	BOLT, .437X .156 HSSH 5/16-18	1
47	1498	NUT, 5/16-18 REGHEXCTRLK	1
48	323222	BRAKE ROD, RIDER BLK	1
49	120393	WASHER, FLAT .344X .69X.065	1
50	121222	PIN, COTTER .090 DIA X .75LG	1
51	271184	NUT, 5/16-18 HEXKEPS	1
52	1498	NUT, 5/16-18 REGHEXCTRLK	1
53	327867	SPRING, 3/4 ODX7.75X.091 TENSIO	1
54	35410	SPRING .071 X .62 X 4.37	1
55	331789	TIRE & RIM, PU 18X8.5X8 TUR	2
		TIRE	
		SEE TIRE TREAD PAGE	
55-1	24167	VALVE STEM	
55-2	326362	WHEEL, HUB	
59	57479	KEY, SQUARE .187SQX2.25LG	2
61	642	WASHER, FLAT .755X1.31X.075	4
62	42815	WASHER, FLAT .755X1.53X.07	2
63	36625	RING, RETEX .57X.05TRU5133-75	2
64	40394	HUB CAP, 1.500ID X 7/8LG	2
65	5950	WASHER, FLAT .505X .88X.13	4
66	2968	WASHER, FLAT .504X .75X.059	4
68	327917	SCREW, 5/16-18X1.50HHCFT	4
69	73787	WASHER, FLAT .330X .75X.1793	4
70	180022	SCREW, 1/4-20X1.00 HHC	1
71	120380	WASHER, REGSPTLK.263X.49X.07	1
72	120375	NUT, 1/4-20 REGHEX	1

* CONTACT YOUR NEAREST TRANSAXLE DEALER FOR PARTS AND SERVICE.

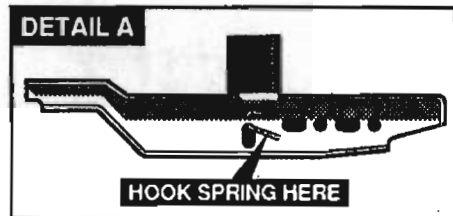
ENGINE & CONTROL ASSEMBLY



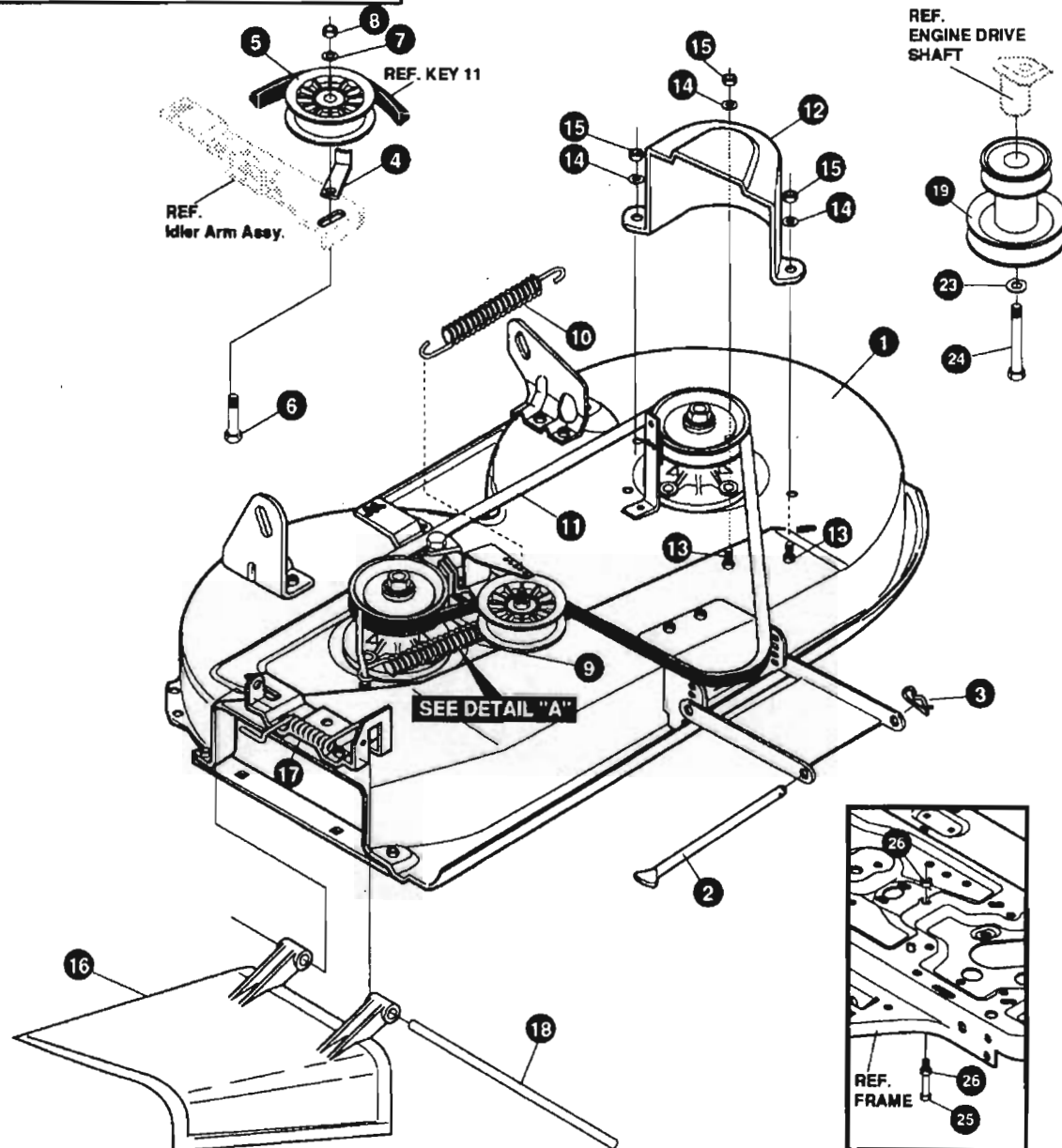
KEY#	PART#	DESCRIPTION	QTY
5	ENGINE	10-12HP B&S 3A (SEE ENGINE MANUAL).....	1
10	50947	SCREW, 3/8-16X1.25 WAHHTAPBLKP.....	4
15	138489	WASHER, EXLK 384X.69X.04 Z.....	1
20	46708	GASKET, MUFFLER.....	1
25	54766	MUFFLER-DOM/EXP ROUND.....	1
30	54767	SHIELD, HEAT, FOR ROUND MUFFLER.....	1
35	54980	SCREW, 5/16-18X3.50 HHC.....	2
40	56472	DEFLECTOR SIDE OUT (BS222573).....	1
45	35287	SCREW, #8-32X .38 HHWATAP.....	4
50	314989	TANK, FUEL 1 GAL CLEAR.....	1
55	300303	SCREW, .25X.75X.51HHWAPLASTITE.....	4
60	42258	TUBING, .25X.50X BULK GAS LINE.....	12 IN.
65	47345	CLAMP, HOSE SCREW TYPE.....	2
70	46704	CAP, GAS 1-1/2-7 THD BLK.....	1
75	57444	TIE, CABLE BLACK NYLON 5.62L.....	1
80	320031	THROTTLE CONTROL.....	1
85	274707	SCREW, 10-24X .50 WAHMA.....	2
90	308459	NUT, #10-24 HXHDNYLK.....	2
95	50607	KNOB, ROUND THROTTLE.....	1
100	325547	OIL DRAIN VALVE ASSEMBLY.....	1
105	327422	CAP, OIL DRAIN VALVE ASM. YELLOW.....	1



KEY#	PART#	DESCRIPTION	QTY
1	325106	39" DECK KIT	1
2	326295-853	BAR, SKID	1
3	126216	BOLT, 5/16-18X .75 CARR	2
4	271184	NUT, 5/16-18 HEXKEPS	2
5	57318	GUIDE, BELT 5/16-18 THD	1
6	1498	NUT, 5/16-18 REGHEXCTRLK	1
7	313928	BRACKET, CHUTE	1
8	180073	SCREW, 5/16-18X .50 HHC	2
9	1498	NUT, 5/16-18 REGHEXCTRLK	2
10	313929	BRACKET,RH LIFT REAR	1
11	180077	SCREW, 5/16-18X .75 HHC	2
12	120393	WASHER, FLAT .344X .69X.065	2
13	1498	NUT, 5/16-18 REGHEXCTRLK	2
14	310667	BRACKET,LH LIFT REAR	1
15	180077	SCREW, 5/16-18X .75 HHC	2
16	120393	WASHER, FLAT .344X .69X.065	2
17	1498	NUT, 5/16-18 REGHEXCTRLK	2
18	315302-853	BRACKET, IDLER SUPPORT	1
19	300345	SCREW, 5/16-18X1.38 WAHHTAP	1
20	120393	WASHER, FLAT .344X .69X.065	1
21	1498	NUT, 5/16-18 REGHEXCTRLK	1
22	56424-853	QUILL ASSY	2
22-1	56425	SHAFT/SADDLE	1
22-2	49562	BEARING, BALL 6203-2AA(SEALS)-C3	1
22-3	50616	DUST SHIELD	1
22-4	55547	QUILL CASTING (1046)	1
22-5	49562	BEARING, BALL 6203-2AA(SEALS)-C3	1
22-6	50818	SPACER, SLEV .669X .88X3.797	1
22-7	51449	SPACER, SLEV .672X .93X .438PM	1
22-8	313898	PULLEY ASSEMBLY	1
22-9	56365	WASHER, SPECIAL QUILL	1
22-10	1282	NUT, 7/16-20 WDFLLK	1
23	50634	SCREW, 5/16-18X .88 WAHHTAP	8
24	312526	SUPPORT,LIFT DECK FRONT	1
25	180077	SCREW, 5/16-18X .75 HHC	4
26	1498	NUT, 5/16-18 REGHEXCTRLK	4
27	58305-853	BRACKET, LINK DECK FRONT	1
28	58247	NUT, ADJUST	2
29	180079	SCREW, 5/16-18X1.00 HHC	2
30	1498	NUT, 5/16-18 REGHEXCTRLK	2
31	306932	BLADE, 19.69 HI-LIFT	2
32	2483	WASHER, 39IDX1.25DX.07 BELLVIL	6
33	39573	SCREW, 3/8-24X1.00 NYLHHC	2
34	320565-853	IDLER ARM ASSEMBLY	1
34-1	300490-853	IDLER ARM 39	1
34-2	306973	BRAKE PAD - HARD - 232AF	1
34-3	41601	RIVET, OVSET .187DIA X .50LG ST	2
35	300180	BOLT, .50 X1.88 HSH 3/8-16	1
36	996416	WASHER, FLAT .391X1.00X.125	1
37	45171	NUT, 3/8-16 HWDFL WHIZ-LOCK ZN	1
38	326249-853	BRACKET, EXTENSION IDLER	1
39	180077	SCREW, 5/16-18X .75 HHC	1
40	1498	NUT, 5/16-18 REGHEXCTRLK	1
41	120854	SCREW, 1/4-20X .63 HHC	1
42	1502	NUT, 1/4-20 REGHEXCTRLK	1
43	121954	SCREW, 1/4-20X2.00 HHC	1
44	271172	NUT, 1/4-20 REGHEXKEPS	2
45	303247	ASSY.BLADE BRAKE 39"	1
45-1	303246	BRAKE ARM	1
45-2	306973	BRAKE PAD - HARD - 232AF	1
45-3	135624	RIVET, TRSET .185DIA X .41LG ST	2
46	180075	SCREW, 5/16-18X .63 HHC	1
47	120393	WASHER, FLAT .344X .69X.065	1
48	1498	NUT, 5/16-18 REGHEXCTRLK	1
49	300316	ROD, BRAKE RELEASE 14.7 39DECK	1
50	1502	NUT, 1/4-20 REGHEXCTRLK	1

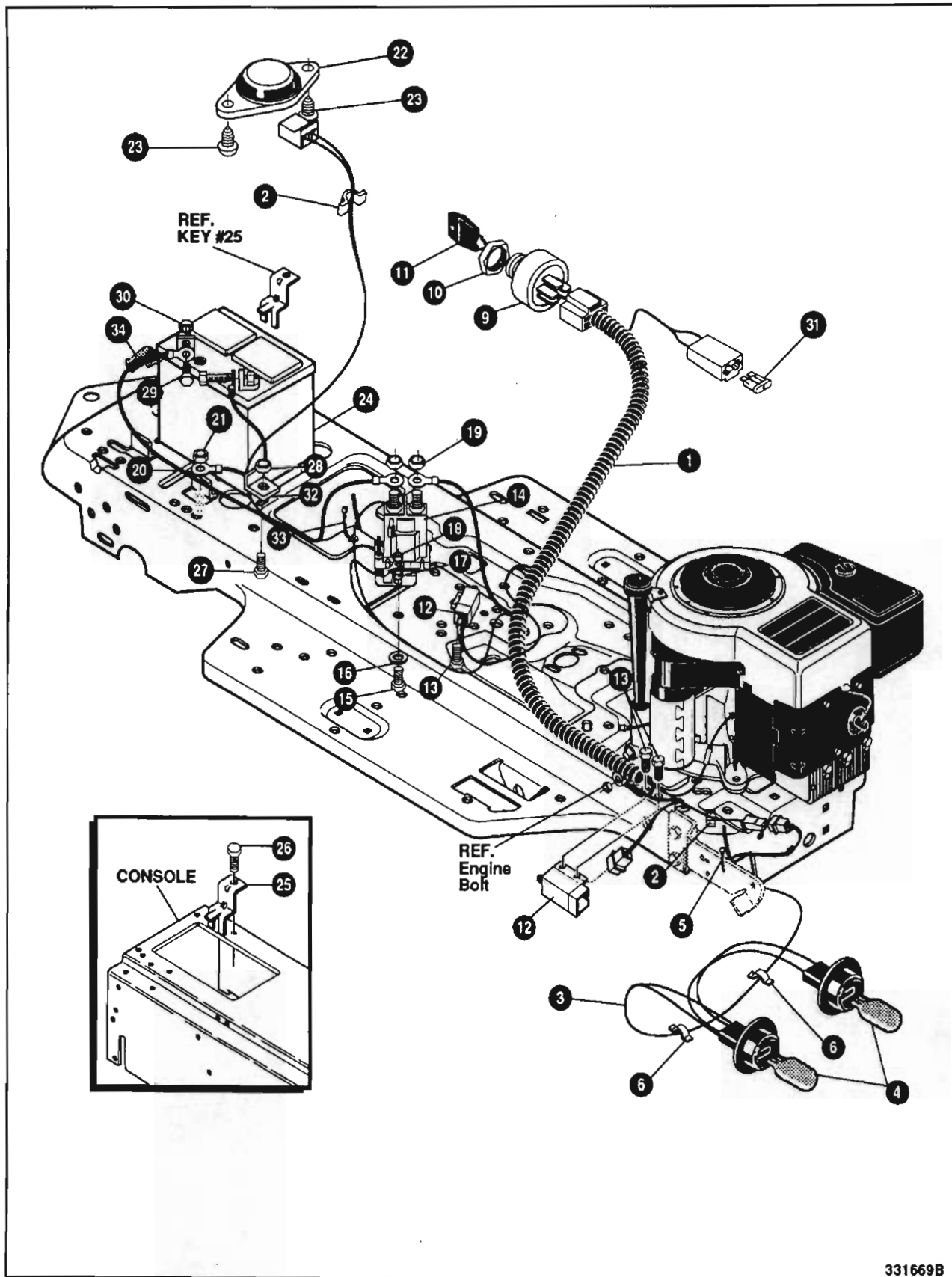


SEE DWG. 324975 FOR PART ASSY OF PAINTED DECK



KEY#	PART#	DESCRIPTION	QTY
1	*	39" DECK ASSEMBLY	1
2	58306	ROD, DECK HITCH	1
3	8260	PIN, HAIR .091 DIA X 1.86 LG	1
4	1346	RETAINER, BELT	1
5	310326	PULLEY, IDLER BFF 4.00 WIDE FL	1
6	57325	BOLT, 3/8-16 X 2.00 CARRSN	1
7	120382	WASHER, REGSPTLK .393 X .68 X .10	1
8	120377	NUT, 3/8-16 REGHX	1
9	322064	SPRING, .75 X 8.4 X .105 TENSION	1
10	326256	SPRING, .75 X 10.0 X .105 TENSION	1
11	300680	BELT, V 5L 77.75 KEVLAR	1
12	328257	GUARD, BELT LH PLASTIC	1
13	180077	SCREW, 5/16-18 X .75 HHC	3
14	120393	FLATWASHER .344 X .69 X .065	3
15	1498	NUT, 5/16-18 REGHEXCTRLK	3
16	57818	CHUTE DEFLECTOR 39"	1
17	314975	SPRING, TORSION CHUTE DEFLECTOR	1
18	57317	PIVOT ROD, CHUTE	1
19	328034	PULLEY, ENG V3L 4.00 OFFSET	1
23	120383	WASHER, REGSPTLK .459 X .78 X .12	1
24	433146	SCREW, 7/16-20 X 4.25 HHC BLK PH	1
25	180128	SCREW, 3/8-16 X 1.75 HHC	1
26	1499	NUT, 3/8-16 REGHXCTRLK	2

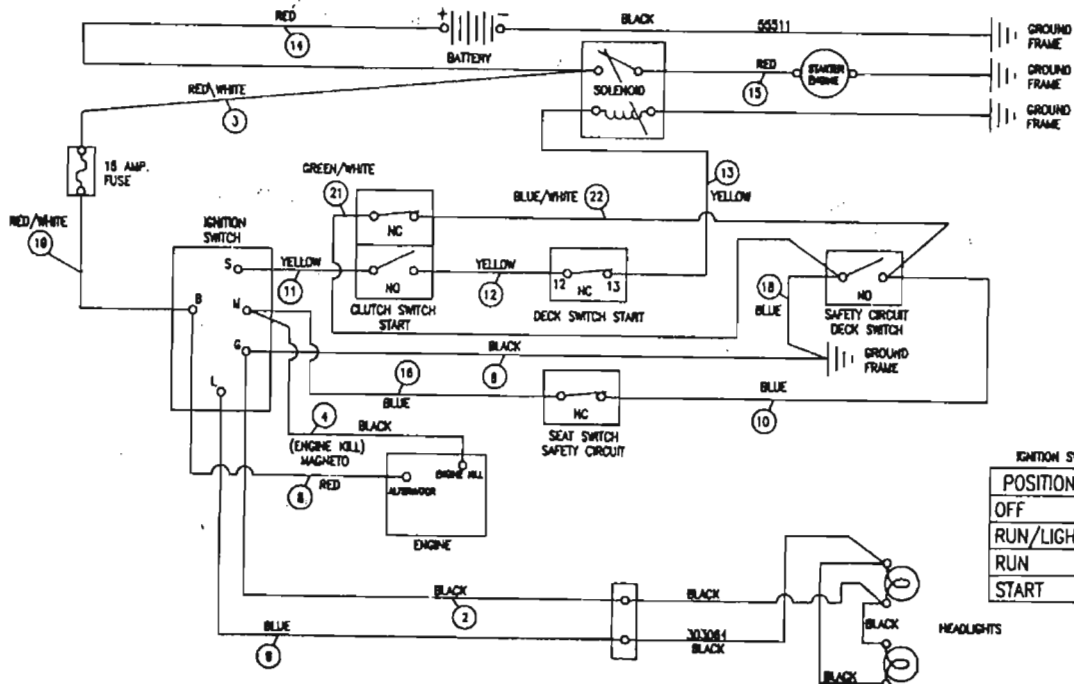
* ORDER INDIVIDUAL PARTS.



331669B

KEY#	PART#	DESCRIPTION	QTY
1	331739	WIRE HARNESS 8-12B&S	1
2	41482	PRESS CLIP, 1.380LG .255ID	2
3	303064	ASSY, LIGHT WIRE-1/4 TURN	1
4	52572	BULB, HEADLAMP	2
5	57444	TIE, CABLE BLACK NYLON 5.62L	1
6	41482	PRESS CLIP, 1.380LG .255ID	2
9	327354	SWITCH, IGNITION & LIGHTS DELTA	1
10	327352	NUT, 5/8-8ACME DELTA FOR BOOT	1
11	327350	KEY, IGNITION DELTA	1
12	57476	SWITCH, SCR MNT DP NC NO BLK	2
13	300302	SCREW, #10 X .50 HHTAPPST BLK	4
14	53716	SOLENOID	1
15	187745	SCREW, 1/4-20X .75 HXSEMMA	2
16	1084	WASHER, FLAT .281X1.00X.063	1
17	1502	NUT, 1/4-20 REGHEXCTRLK	2
18	271172	NUT, 1/4-20 REGHEXKEPS	1
19	271187	NUT, 5/16-24 HKEPS	2
20	55511	WIRE, GROUND, 12.5"	1
21	271184	NUT, 5/16-18 HEXKEPS	1
22	57547	SWITCH, SEAT	1
23	160505	SCREW, 1/4-20X .38PHPNHMA	2
24	302257	BATTERY, 12V	1
25	329175	BATTERY BRACKET	1
26	995346	SCREW, 1/4-20X .50 WAHHTAP	1
27	187745	SCREW, 1/4-20X .75 HXSEMMA	1
28	1502	NUT, 1/4-20 REGHEXCTRLK	1
29	180020	SCREW, 1/4-20X .75 HHC	2
30	271172	NUT, 1/4-20 REGHEXKEPS	2
31	302031	FUSE SPADE TYPE 32V 15A	1
32	9149	BRACKET, CABLE RETAIN	1
33	57444	TIE, CABLE BLACK NYLON 5.62L	1
34	308201	INSULATOR, BATTERY BOOT EURO	1

SCHEMATIC WIRING



331739