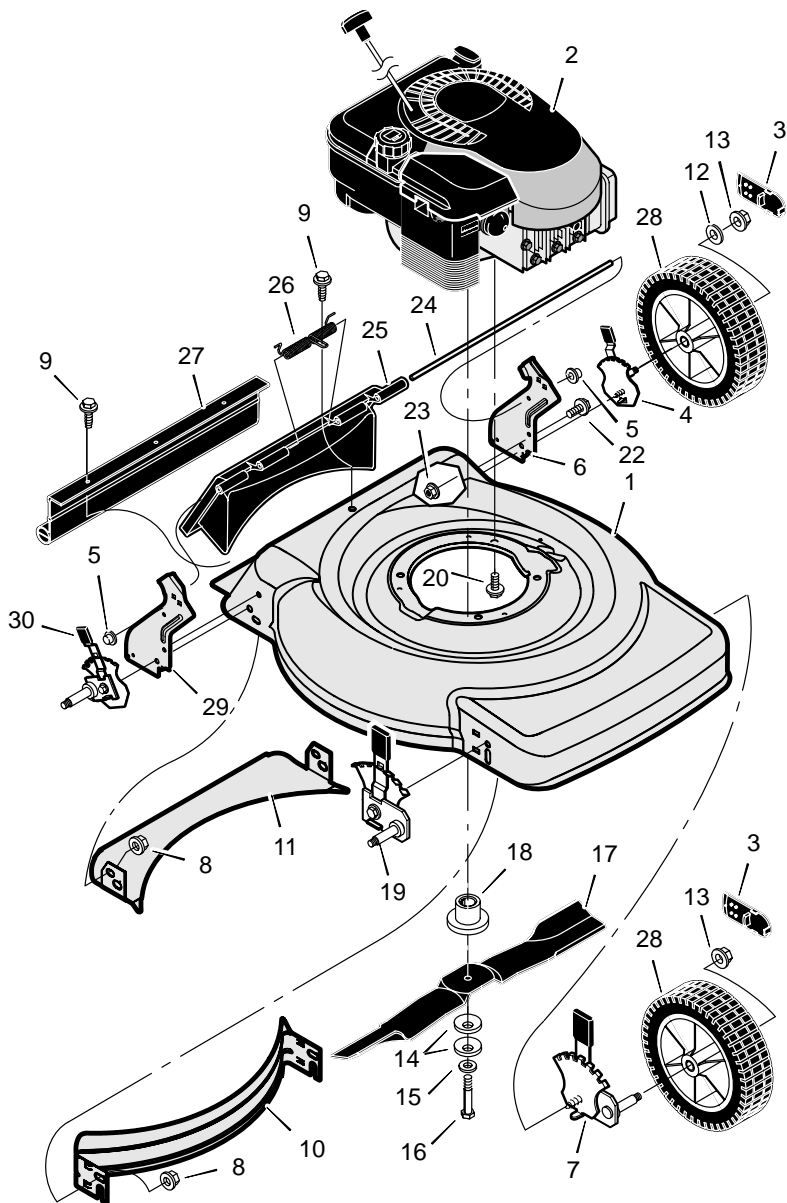


MULCHER MODELS



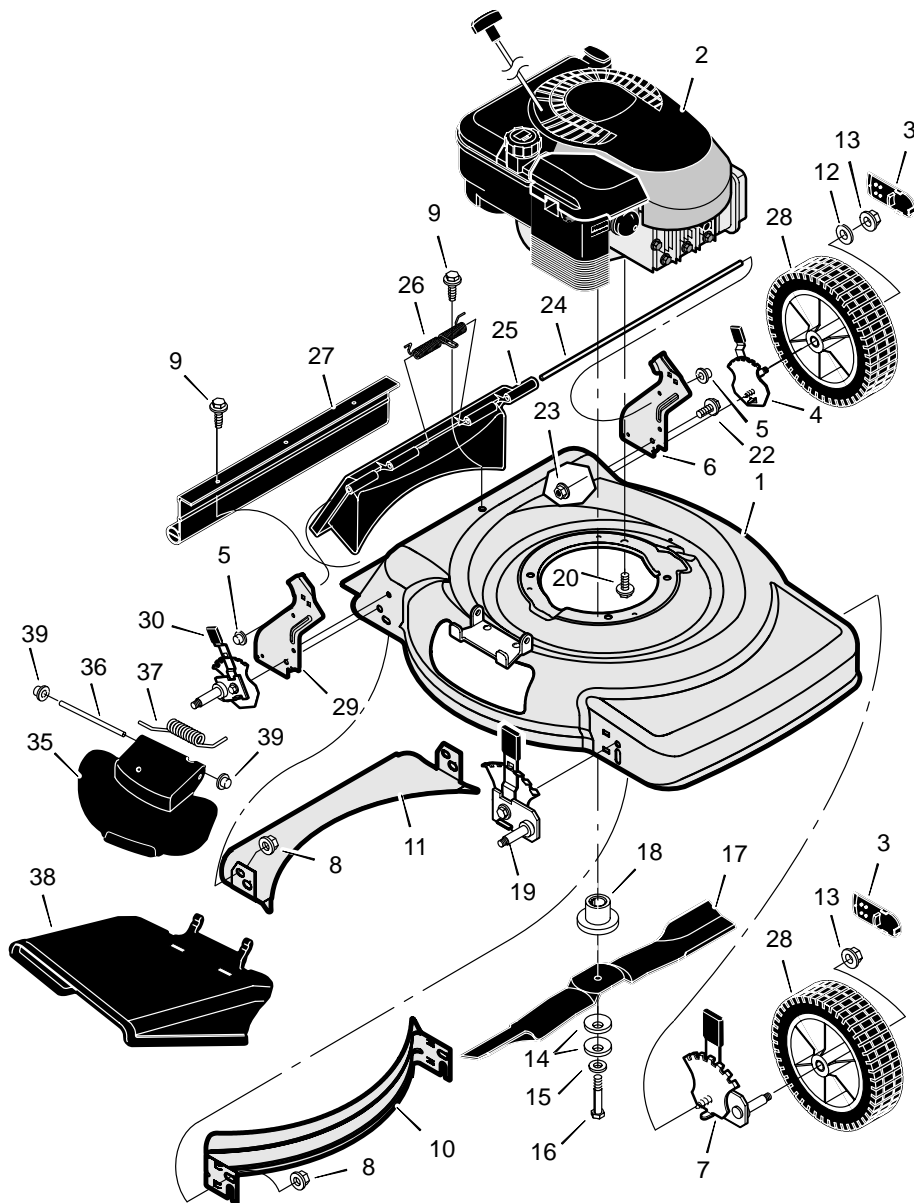
MULCHER MODELS

KEY NO.	DESCRIPTION	PART NO.	KEY NO.	DESCRIPTION	PART NO.
1	Housing	7501001	16	Bolt	1x142
2	Engine *	*	17	Blade	1101120E701
3	Cap, Hub (Optional)	43615	18	Adapter, Blade	71056
4	Adjuster, Left Rear Height	672605	19	Adjuster, Right Front Height	672600
5	Push On Cap	28x49	20	Bolt, Engine	25x6
6	Bracket, Left Handle	1101239E700	22	Bolt	1x45
7	Adjuster, Left Front Height	672601	23	Nut, Flange	15x79
8	Nut, Flange	15x68	24	Rod, Pivot	215x21
9	Screw	26x245	25	Door, Rear (Black) Door, Rear (Gray)	672611 672613
10	Baffle, Front	672915E700	26	Spring	166x44
11	Baffle, Rear	672916E700	27	Guard, Rear	1101105
12	Washer	17x91	28	Wheel & Tire #	#
13	Nut, Flange	15x84	29	Bracket, Right Handle	1101238E700
14	Washer, Belleville	17x137	30	Adjuster, Right Rear Height	672604
15	Washer	17x124	--	Instruction Book	F-030425L

* Parts are available from an Authorized Engine Service Center. See "Engines, Gasoline" or "Gasoline Engines" in the yellow pages of the telephone directory.

See the Wheel and Tire Parts List page.

SIDE DISCHARGE MODELS



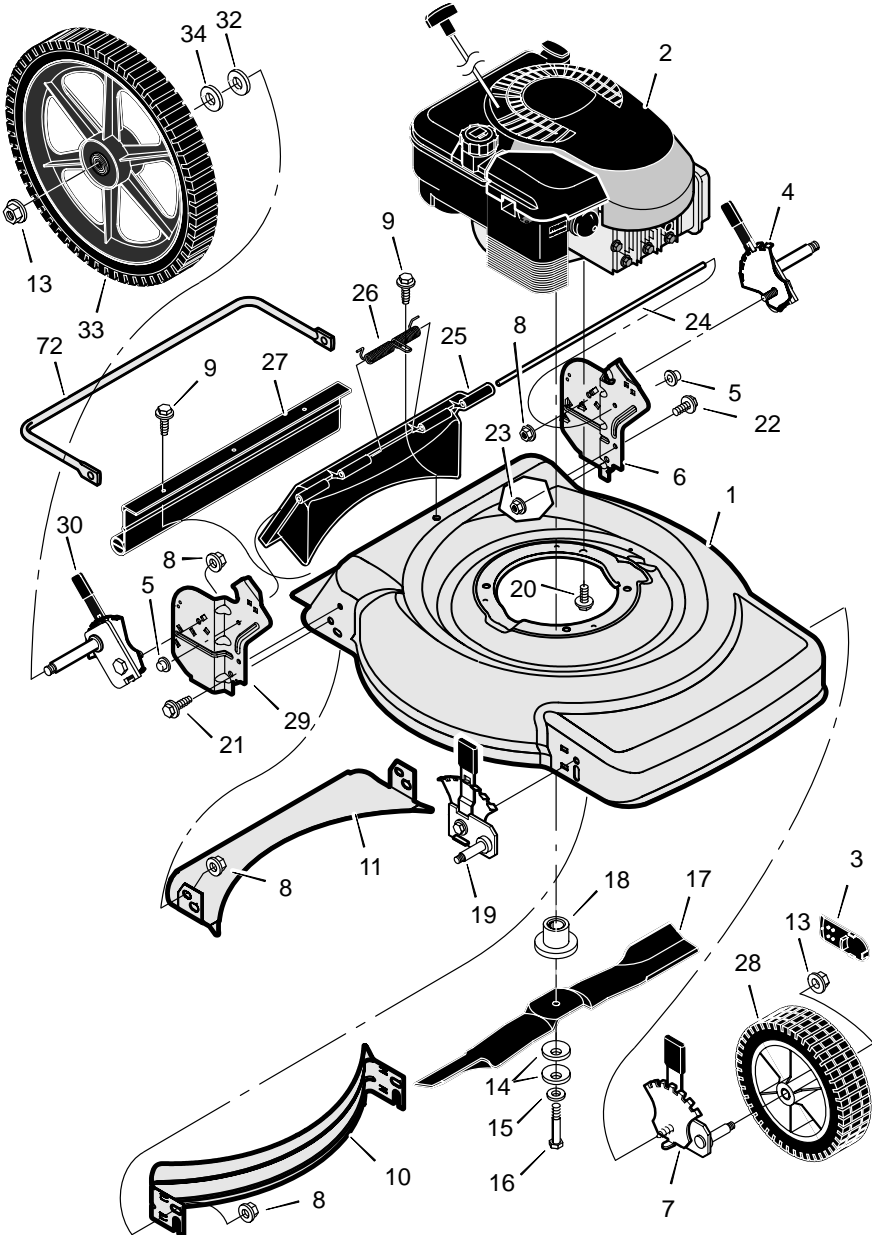
SIDE DISCHARGE MODELS

KEY NO.	DESCRIPTION	PART NO.	KEY NO.	DESCRIPTION	PART NO.
1	Housing	7501004	19	Adjuster, Right Front Height	672600
2	Engine *	*	20	Bolt, Engine	25x6
3	Cap, Hub (Optional)	43615	22	Bolt	1x45
4	Adjuster, Left Rear Height	672605	23	Nut, Flange	15x79
5	Push On Cap	28x49	24	Rod, Pivot	215x21
6	Bracket, Left Handle	1101239E700	25	Door, Rear (Black) Door, Rear (Gray)	672611 672613
7	Adjuster, Left Front Height	672601	26	Spring	166x44
8	Nut, Flange	15x68	27	Guard, Rear	1101105
9	Screw	26x245	28	Wheel & Tire #	#
10	Baffle, Front	672915E700	29	Bracket, Right Handle	1101238E700
11	Baffle, Rear	672916E700	30	Adjuster, Right Rear Height	672604
12	Washer	17x91	35	Cover, Mulch (Black) Cover, Mulch (Gray)	1101098 672920
13	Nut, Flange	15x84	36	Rod, Pivot	215x19 Z
14	Washer, Belleville	17x137	37	Spring, Torsion	166x38
15	Washer	17x124	38	Deflector, Chute (Black) Deflector, Chute (Gray)	672150 672917
16	Bolt	1x142	39	Push On Cap	28x42
17	Blade	1101120E701	--	Instruction Book	F-030425L
18	Adapter, Blade	71056			

* Parts are available from an Authorized Engine Service Center. See "Engines, Gasoline" or "Gasoline Engines" in the yellow pages of the telephone directory.

See the Wheel and Tire Parts List page.

MULCHER MODELS WITH 14" REAR WHEELS



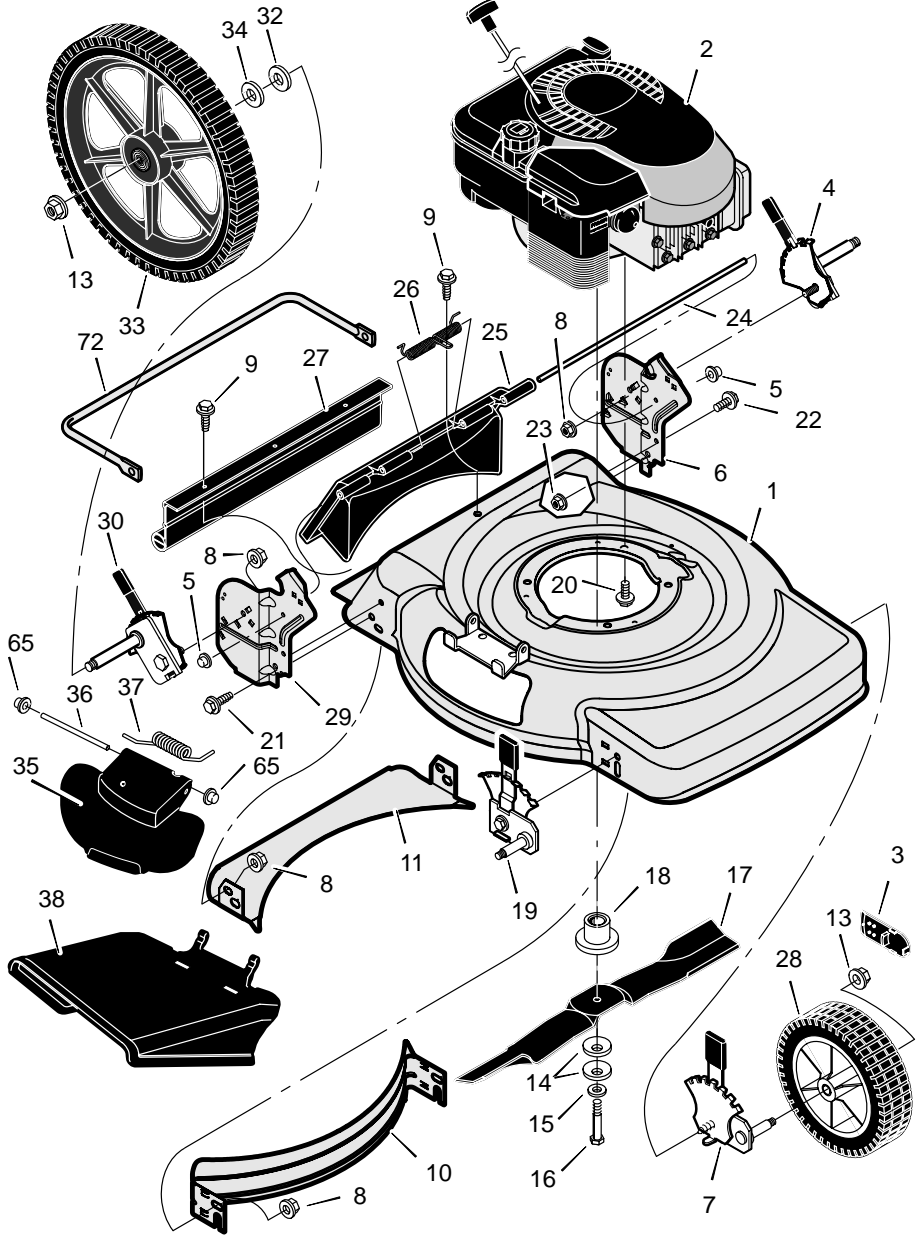
MULCHER MODELS WITH 14" REAR WHEELS

KEY NO.	DESCRIPTION	PART NO.	KEY NO.	DESCRIPTION	PART NO.
1	Housing	7501001	19	Adjuster, Right Front Height	672600
2	Engine *	*	20	Bolt, Engine	25x6
3	Cap, Hub (Optional)	43615	21	Bolt	1x85
4	Adjuster, Left Rear Height	672919	22	Bolt	1x45
5	Push On Cap	28x49	23	Nut, Flange	15x79
6	Bracket, Left Handle	1101245E700	24	Rod, Pivot	215x21
7	Adjuster, Left Front Height	672601	25	Door, Rear (Black) Door, Rear (Gray)	672611 672613
8	Nut, Flange	15x68	26	Spring	166x44
9	Screw	26x245	27	Guard, Rear	672684
10	Baffle, Front	672915E700	28	Wheel & Tire #	#
11	Baffle, Rear	672916E700	29	Bracket, Right Handle	1101244E700
13	Nut, Flange	15x84	30	Adjuster, Right Rear Height	672918
14	Washer, Belleville	17x137	32	Washer	17x91
15	Washer	17x124	33	Wheel, Rear #	#
16	Bolt	1x142	34	Washer	20x3
17	Blade	1101120E701	72	Brace	1101008E701
18	Adapter, Blade	71056	--	Instruction Book	F-030425L

* Parts are available from an Authorized Engine Service Center. See "Engines, Gasoline" or "Gasoline Engines" in the yellow pages of the telephone directory.

See the Wheel and Tire Parts List page.

SIDE DISCHARGE MODELS WITH 14" REAR WHEELS



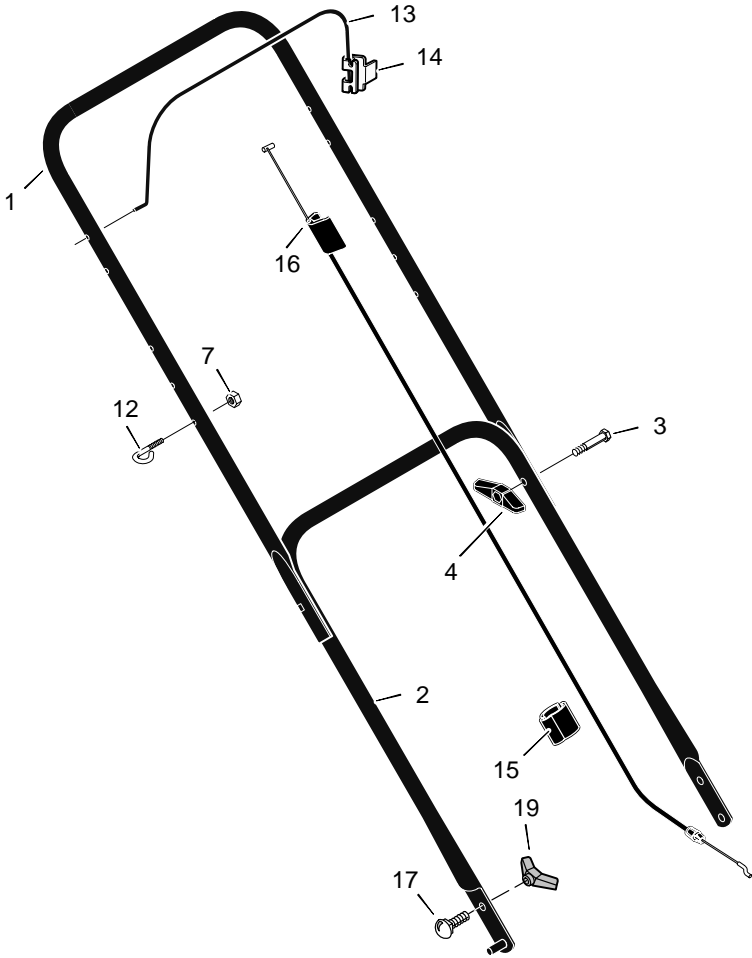
SIDE DISCHARGE MODELS WITH 14" REAR WHEELS

KEY NO.	DESCRIPTION	PART NO.	KEY NO.	DESCRIPTION	PART NO.
1	Housing	7501004	22	Bolt	1x45
2	Engine *	*	23	Nut, Flange	15x79
3	Cap, Hub (Optional)	43615	24	Rod, Pivot	215x21
4	Adjuster, Left Rear Height	672919	25	Door, Rear (Black)	671611
5	Push On Cap	28x49		Door, Rear (Gray)	672613
6	Bracket, Left Handle	1101245E700	26	Spring	166x44
7	Adjuster, Left Front Height	672601	27	Guard, Rear	672684
8	Nut, Flange	15x68	28	Wheel & Tire #	#
9	Screw	26x245	29	Bracket, Right Handle	1101244E700
10	Baffle, Front	672915E700	30	Adjuster, Right Rear Height	672918
11	Baffle, Rear	672916E700	32	Washer	17x91
13	Nut, Flange	15x84	33	Wheel, Rear #	#
14	Washer, Belleville	17x137	34	Washer	20x3
15	Washer	17x124	35	Cover, Mulch (Black)	1101098
16	Bolt	1x142		Cover, Mulch (Gray)	672920
17	Blade	1101120E701	36	Rod, Pivot	215x19 Z
18	Adapter, Blade	71056	37	Spring, Torsion	166x38
19	Adjuster, Right Front Height	672600	38	Deflector, Chute (Black)	672150
20	Bolt, Engine	25x6		Deflector, Chute (Gray)	672917
21	Bolt	1x85	65	Push On Cap	28x42
			72	Brace	1101008E701
			--	Instruction Book	F-030425L

* Parts are available from an Authorized Engine Service Center. See "Engines, Gasoline" or "Gasoline Engines" in the yellow pages of the telephone directory.

See the Wheel and Tire Parts List page.

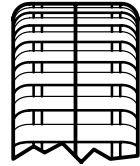
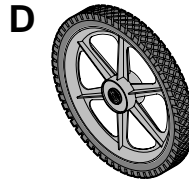
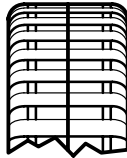
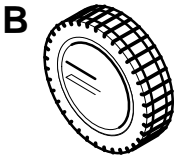
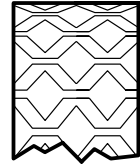
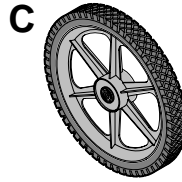
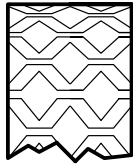
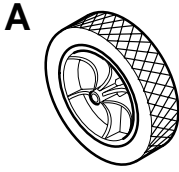
HANDLE - BRIGGS & STRATTON MODELS



KEY NO.	DESCRIPTION	PART NO.	KEY NO.	DESCRIPTION	PART NO.
1	Handle, Upper (Black) Handle, Upper (Gray)	1101556E701 1101556E724	13	Lever, Engine Stop	43653E701
2	Handle, Lower (Black) Handle, Lower (Gray)	672906E701 672906E724	14	Bracket, Stop Lever	1101454
3	Bolt	2x77	15	Clip, Cable	1101353
4	Knob, Plastic	71294	16	Engine Stop Cable	1101363
7	Locknut	15x116	17	Bolt, Carriage	2x81
12	Guide, Rope	71530	19	Knob, Plastic	71495

WHEELS AND TIRES

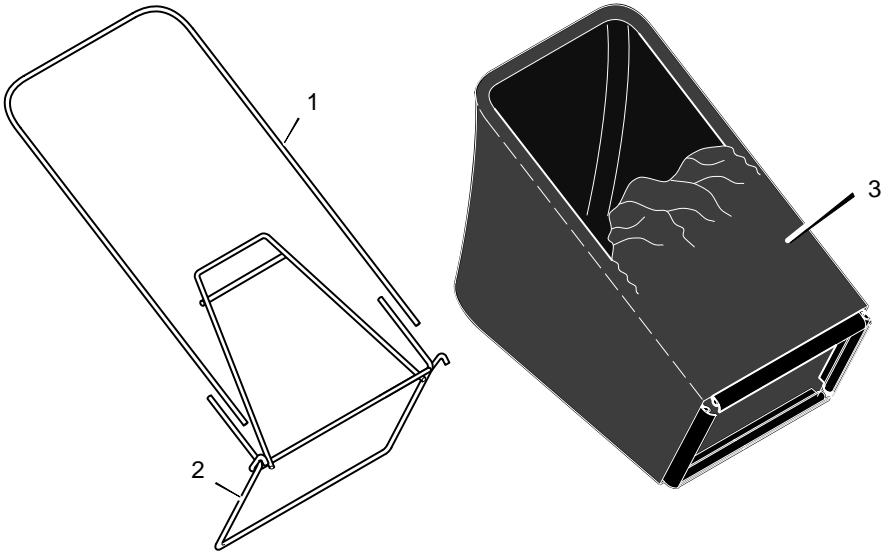
Look at the illustrations. Select the wheel and the tire you want and order from the following chart.



WHEEL SIZE & TYPE	A	B	C	D
6-inch Plastic, White	672768	----	----	----
6-inch Plastic, Gray	672769	----	----	----
7-inch Plastic, White	20270	----	----	----
7-inch Plastic, Gray	71597	----	----	----
8-inch Plastic, White	20271	----	----	----
8-inch Plastic, Gray	672060	71132	----	----
8-inch Metal, White	43414	----	----	----
8-inch Ball Bearing, Gray	----	71134	----	----
14-inch, Gray	----	----	672074	672745
14-in, Ball Bearing, Gray	----	----	672062	71840

GRASS BAG

NOTE: On some models, the Grass Bag Assembly is an *OPTIONAL ACCESSORY* and is not included with the unit. On these models, the Grass Bag can be purchased and easily installed.



KEY NO.	DESCRIPTION	PART NO.
1	Tube, Bag	1101075
2	Frame Assembly	1101074
3	Bag, Cloth - Black	1101387