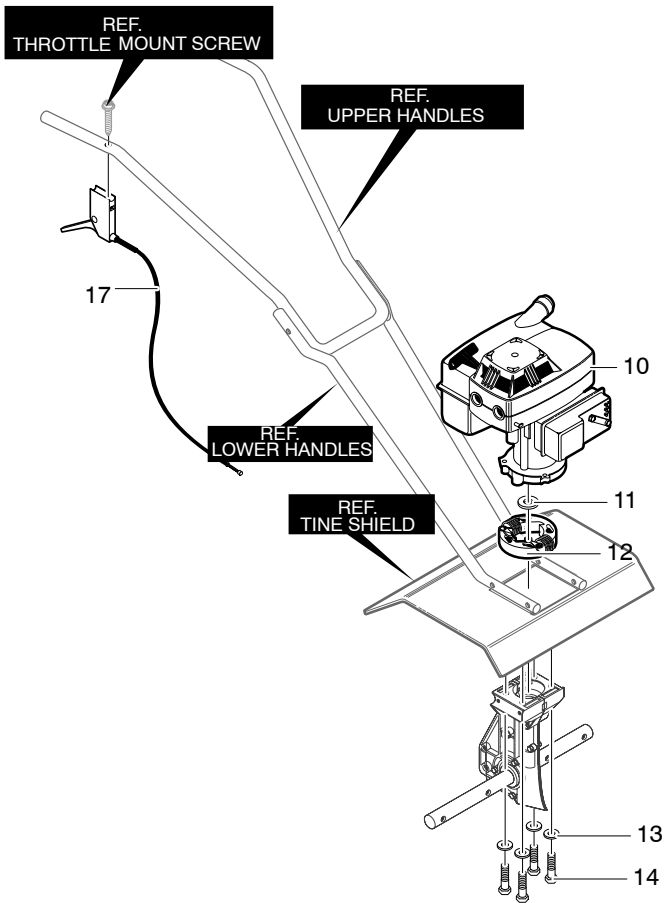


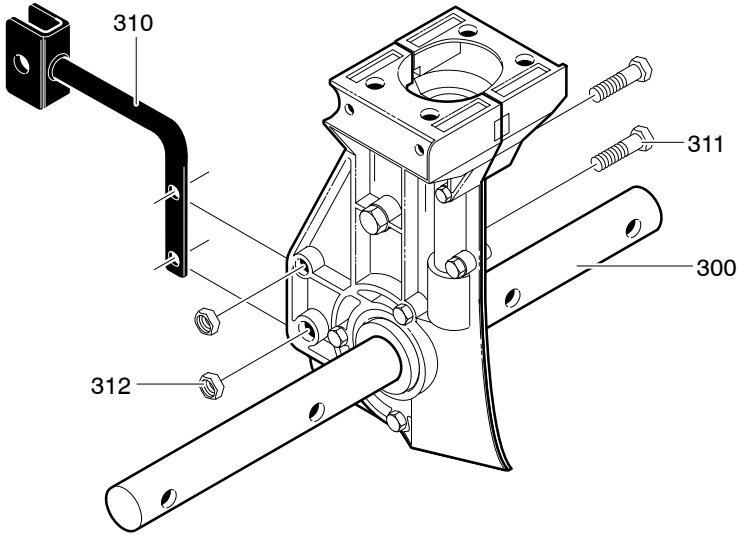
MODEL 11053x92A



323392C

KEY NO.	PART NO.	DESCRIPTION	KEY NO.	PART NO.	DESCRIPTION
10	2.0HP	Engine	14	001x90	Screw
11	56694	Flat washer	17	319306	Cable, Throttle
12	335350	Rotor	--	F-051302L	Instruction Manual
13	120380	Washer			

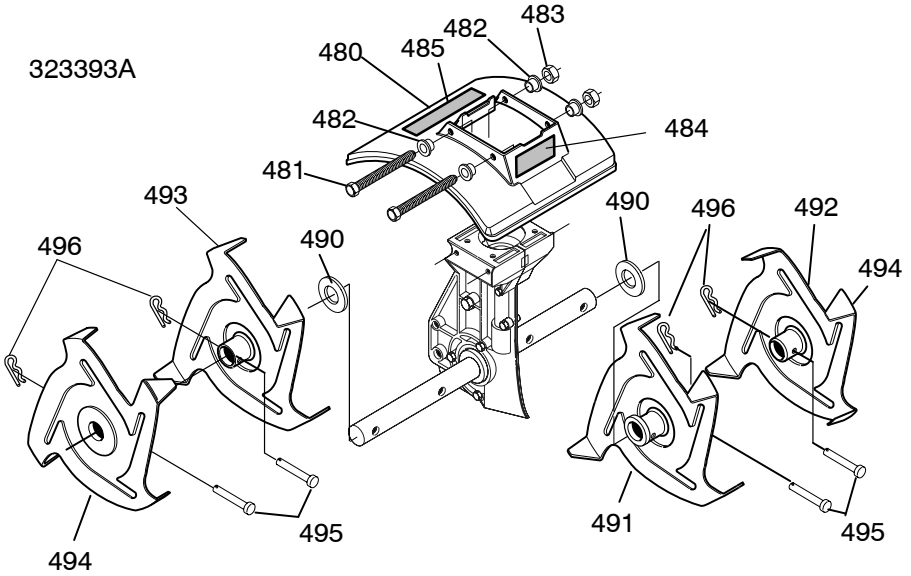
MODEL 11053x92A



318848C

KEY NO.	PART NO.	DESCRIPTION
300	1901017	Transmission
310	339390E701	Bracket, Depth Rod
311	180024	Screw, 1/4-20x1.25
312	782585	Nut, 1/4-20

MODEL 11053x92A

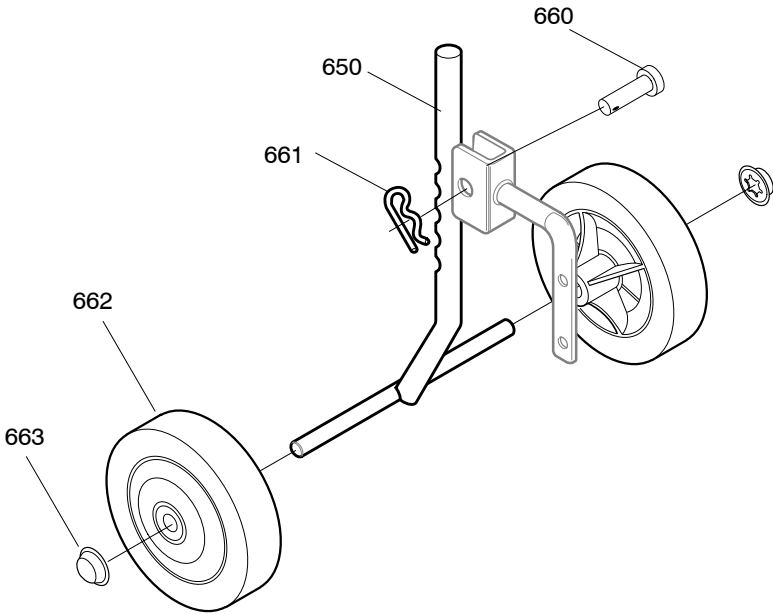


323393A

KEY NO.	PART NO.	DESCRIPTION	KEY NO.	PART NO.	DESCRIPTION
480	7401015 *	Shield, Tine *	491	56157E701	Tine Assy. Inner LH
481	310056	Screw, 1/4-20x5.50	492	56155E701	Tine Assy. Outer LH
482	1901023	Spacer, Flange	493	56156E701	Tine Assy. Inner RH
483	782585	Nut, 1/4-20	494	56154E701	Tine Assy. Outer RH
484	48x894	Decal, Murray	495	56123	Clevis Pin
485	48x4031	Decal, Caution	496	0031x4	Hair Pin
490	56158	Washer, Felt			

* Includes Key Nos. 484, 485 and four Key Nos 482.

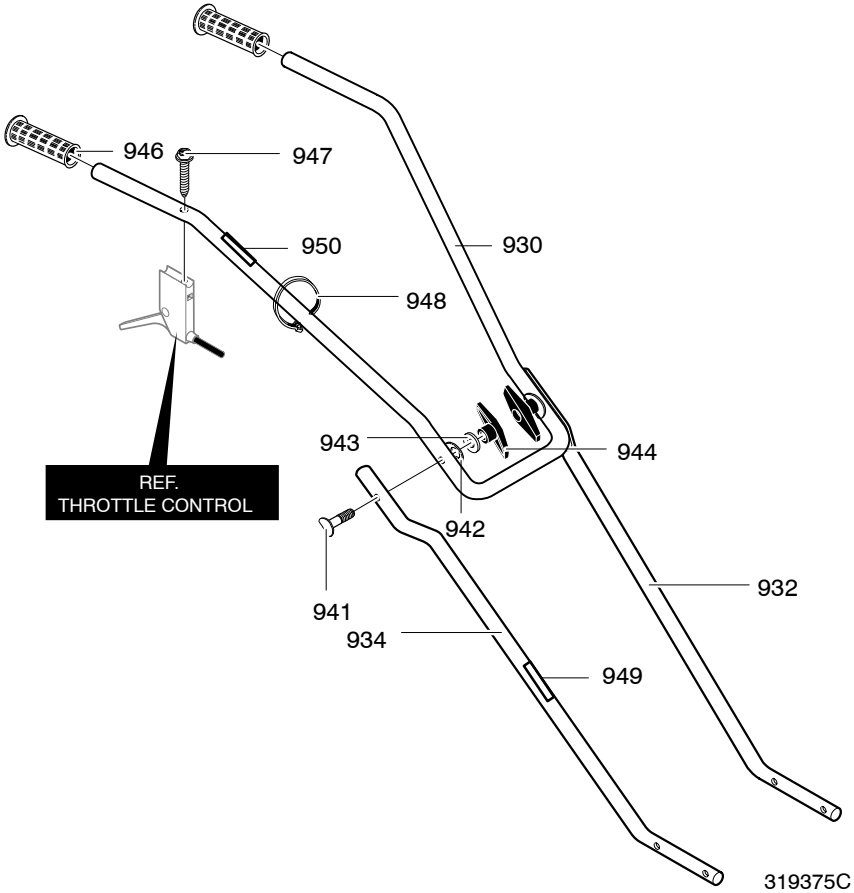
MODEL 11053x92A



323396B

KEY NO.	PART NO.	DESCRIPTION
650	331176 Z	Wheel Support Assy.
660	56123	Clevis Pin
661	31x4	Hair Pin
662	338307	Tire & Rim
663	73664	Push On Nut

MODEL 11053x92A



KEY NO.	PART NO.	DESCRIPTION	KEY NO.	PART NO.	DESCRIPTION
930	7401025 *	Upper Handle *	946	56778	Hand Grip
932	339398E701	Lower Handle LH	947	426635	Screw 10-16x1.5
934	7401022 *	Lower Handle RH +	948	712267	Cable Tie
941	315288	Bolt 5/16-18x1.63	949	305828	Decal, Caution
942	783000	Formed Washer	950	48x4030	Decal, Throttle Control
943	120393	Flat washer			
944	1901018	T Knob			

* Includes Key No. 950

+ Includes Key No. 949