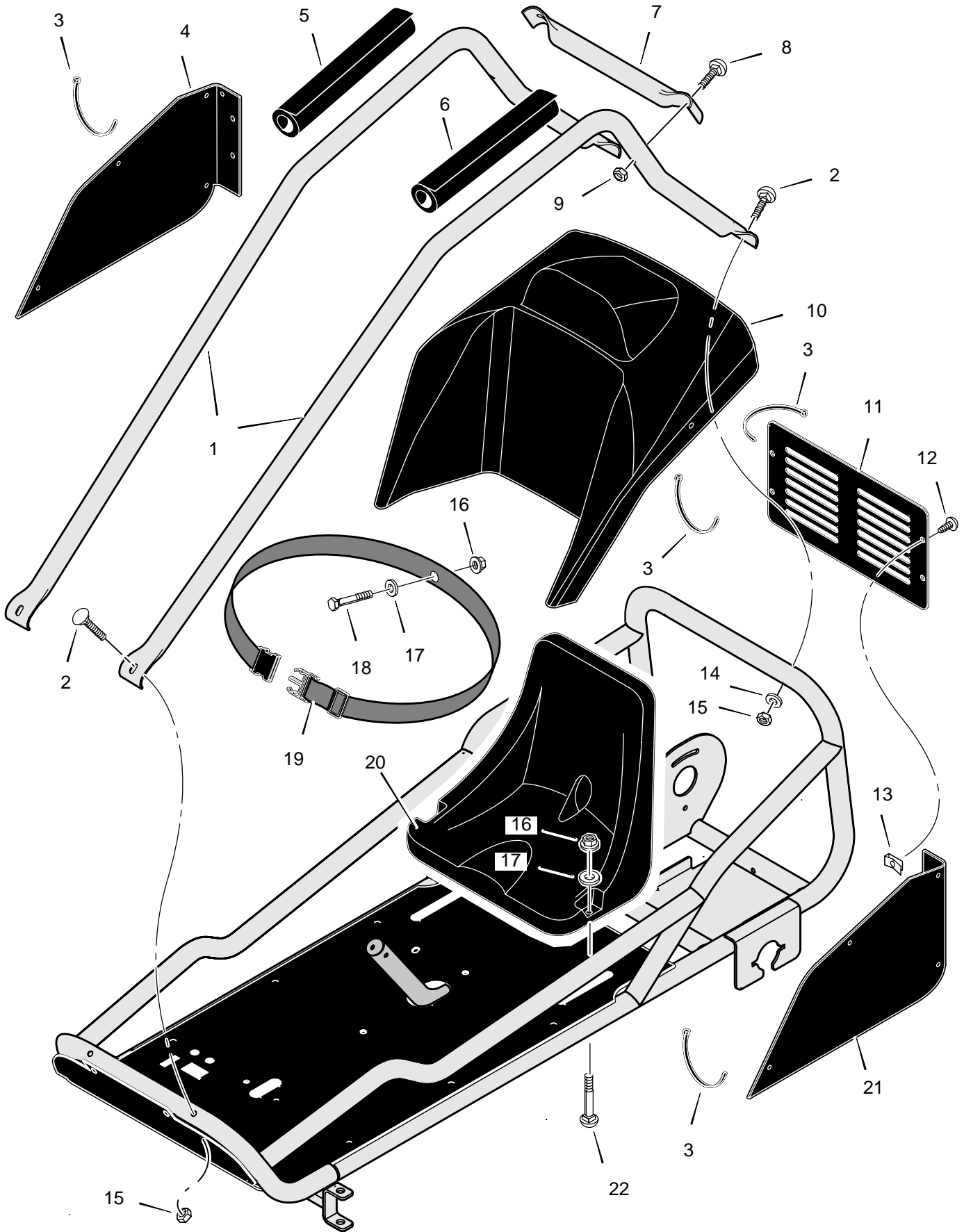


Murray Model Number GE0101X92A and GE0101X92NA

Parts Bag number: 1201362

# MODEL GE0101x92A

# REPAIR PARTS



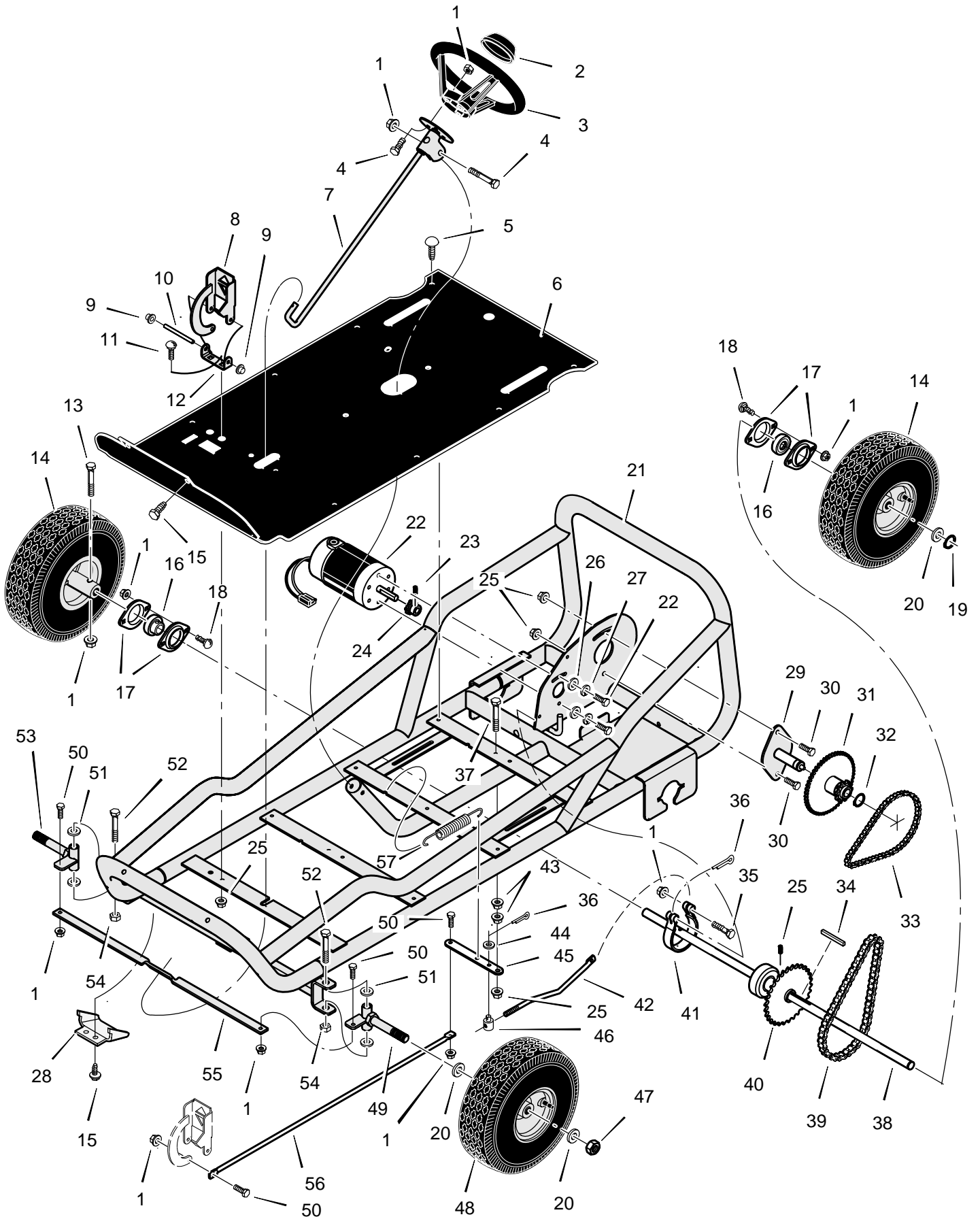
# MODEL GE0101x92A

# REPAIR PARTS

| KEY NO. | PART NO.    | DESCRIPTION         |
|---------|-------------|---------------------|
| 1       | 1201332E475 | Brush Guard         |
| 2       | 002x91      | Bolt, Carriage      |
| 3       | 071372      | Tie, Plastic        |
| 4       | 1201375     | Panel, Side –RH     |
| 5       | 1201407     | Pad, GT –RH         |
| 6       | 1201406     | Pad, GT LH          |
| 7       | 1201333E475 | Tube, Cross Brace   |
| 8       | 002x83      | Bolt, Carriage      |
| 9       | 15x135      | Nut, Hex –Barrel    |
| 10      | 1201359     | Cover, Rear         |
| 11      | 1201377     | Panel, Back         |
| 12      | 004x71      | Screw, Machine      |
| 13      | 028x77      | Nut, Speed          |
| 14      | 017x44      | Washer              |
| 15      | 15x123      | Nut, Hex –Nylock    |
| 16      | 015x89      | Nut, Centerlock     |
| 17      | 017x37      | Washer              |
| 18      | 001x94      | Bolt, Hex           |
| 19      | 1201355     | Belt, Seat          |
| 20      | 1201356     | Seat                |
| 21      | 1201376     | Panel, Side –LH     |
| 22      | 02x95       | Bolt, Carriage      |
| --      | 680274      | Wrench, Allen 5/16" |
| --      | F-020310L   | Manual, Owner's     |

# MODEL GE0101x92A

# REPAIR PARTS



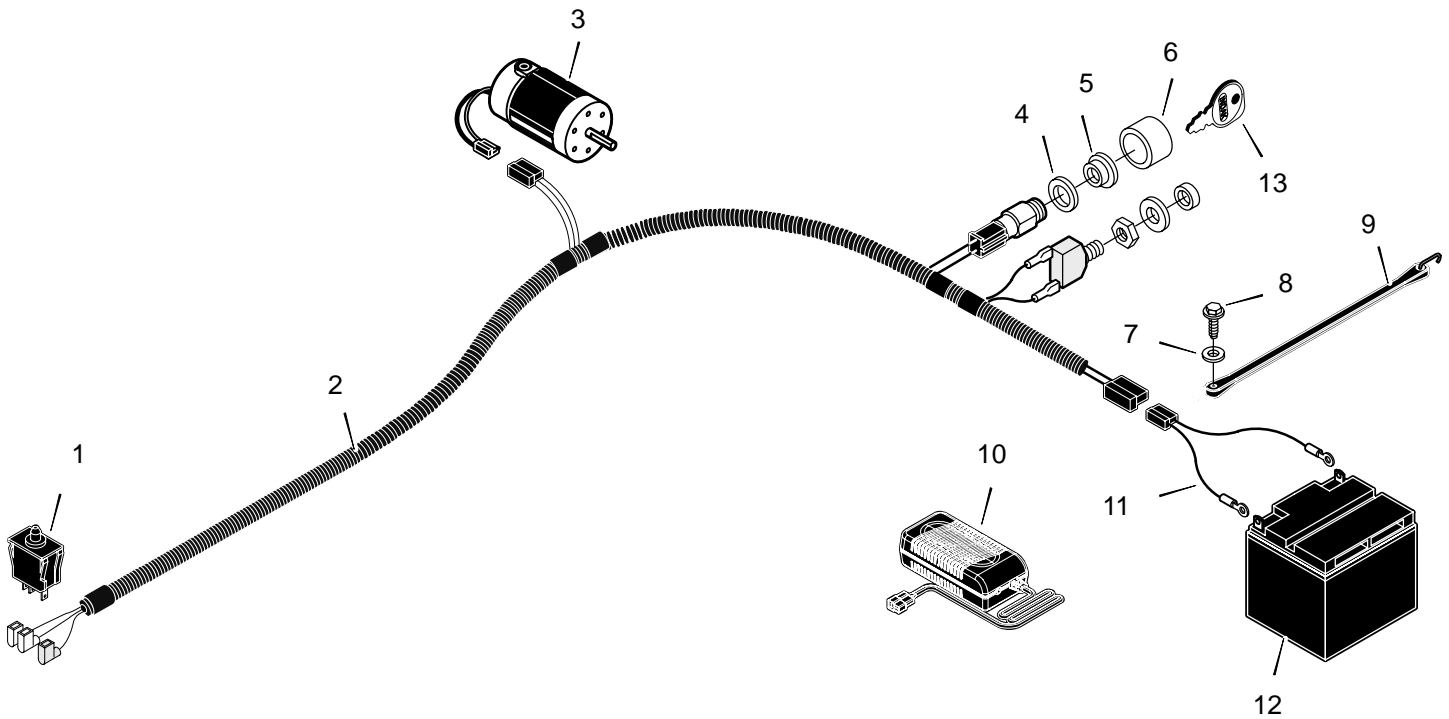
# MODEL GE0101x92A

# REPAIR PARTS

| KEY NO. | PART NO.    | DESCRIPTION                 | KEY NO. | PART NO.    | DESCRIPTION                |
|---------|-------------|-----------------------------|---------|-------------|----------------------------|
| 1       | 015x89      | Nut, Centerlock             | 30      | 001x45      | Bolt, Hex                  |
| 2       | 680060      | Cap, Steering Wheel         | 31      | 1201277     | Gear Assembly, Reduction   |
| 3       | 680065      | Steering Wheel              | 32      | 0011x5      | Ring, Snap                 |
| 4       | 001x71      | Bolt, Hex                   | 33      | 1201348     | Chain, Short –No. 35 19.5” |
| 5       | 0193x1      | Fastener                    | 34      | 680273      | Key, Square                |
| 6       | 1201282     | Floorboard                  | 35      | 01x128      | Bolt, Hex                  |
| 7       | 1201331E475 | Rod Assembly, Steering      | 36      | 030x20      | Pin, Cotter                |
| 8       | 1201327E475 | Pedal Assembly              | 37      | 01x193      | Bolt, Hex                  |
| 9       | 028x42      | Cap, Push                   | 38      | 1201345     | Axle, Rear                 |
| 10      | 1201280     | Rod, Pedal                  | 39      | 1201349     | Chain, Long –No. 40 23”    |
| 11      | 002x53      | Bolt, Carriage              | 40      | 1201288     | Sprocket/Brake Drum Assy.  |
| 12      | 1201334E475 | Bracket, Pedal              | 41      | 1201354     | Band, Brake                |
| 13      | 01x195      | Bolt, Hex                   | 42      | 1201279     | Rod, Rear Brake            |
| 14      | 1201350     | Wheel & Tire Assembly –Rear | 43      | 015x79      | Nut, Flange                |
| 15      | 26x263      | Screw                       | 44      | 017x44      | Washer                     |
| 16      | 1201364     | Bearing, Ball               | 45      | 1201335 Z   | Arm, Brake Idler           |
| 17      | 1201363     | Retainer, Ball Bearing      | 46      | 584593      | Nut, Trunnion              |
| 18      | 002x39      | Bolt, Carriage              | 47      | 15x128      | Nut, Nylock                |
| 19      | 0011x8      | E–Ring                      | 48      | 1201346     | Wheel & Tire –Front        |
| 20      | 17x100      | Washer                      | 49      | 1201257E475 | Spindle Assembly–Left      |
| 21      | 1201321E475 | Frame Assembly              | 50      | 01x163      | Bolt, Nex                  |
| 22      | 1201347     | Motor, 24 Volt DC .5HP      | 51      | 17x102      | Washer                     |
| 23      | 023x50      | Screw, Hex Set              | 52      | 01x154      | Bolt, Hex                  |
| 24      | 1201272     | Sprocket, 9 Tooth           | 53      | 1201256E475 | Spindle Assembly–Right     |
| 25      | 015x88      | Nut, Flange Centerlock      | 54      | 015x41      | Nut, Stover Locknut        |
| 26      | 017x37      | Washer                      | 55      | 1201262E475 | Rod, Tie                   |
| 27      | 018x32      | Washer, Split               | 56      | 1201278     | Rod, Front Brake           |
| 28      | 1201446E701 | Guard, Switch               | 57      | 165x12      | Spring, Extension          |
| 29      | 1201248E475 | Jackshaft Assembly          |         |             |                            |

# MODEL GE0101x92A

# REPAIR PARTS



| KEY NO. | PART NO. | DESCRIPTION                     |
|---------|----------|---------------------------------|
| 1       | 1201439  | Switch, Accelerator Push Button |
| 2       | 1201351  | Harness, Wire –Main             |
| 3       | 1201347  | Motor, Electric                 |
| 4       | 019x40   | Washer, Internal Tooth          |
| 5       | 091489   | Nut, Ignition Switch            |
| 6       | 091488   | Cap, Ignition Switch            |
| 7       | 17x104   | Washer                          |
| 8       | 26x307   | Screw                           |
| 9       | 1201358  | Strap, Battery                  |
| 10      | 1201353  | Charger                         |
| 11      | 1201414  | Harness, Battery                |
| 12      | 1201415  | Battery 24 V DC 20 Amp          |
| 13      | 672220   | Keys & Ring                     |