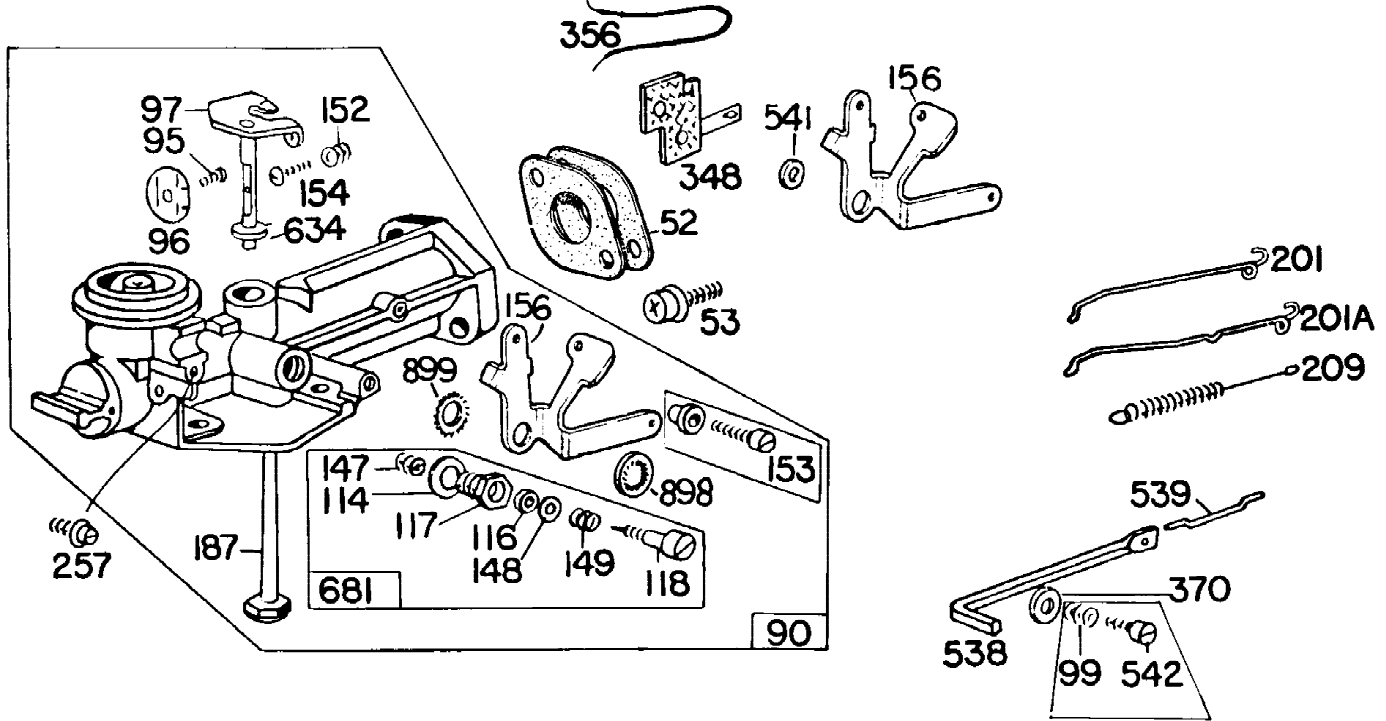


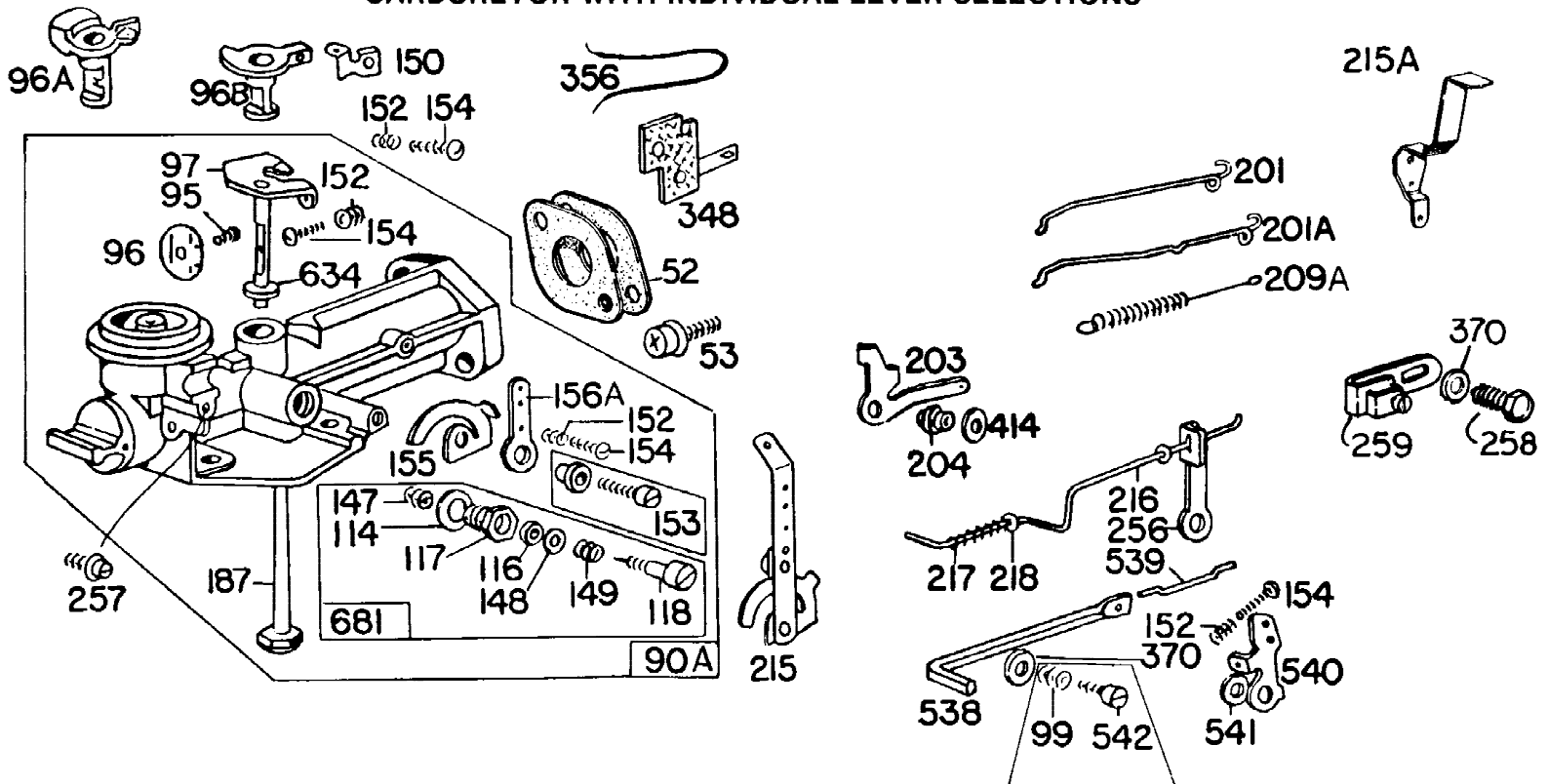
Ref #	Part Number	Qty	S/P/F	Description
160	294870	1		Air Cleaner (Includes Mounting Stud)
161	293991	1		Bowl-Air Cleaner
162	294861	1		Cover-Air Cleaner (With Mounting Stud)
163A	270488	1	S	Gasket, Air Cleaner (Identified By Yellow Coating)
163	27660	1		Gasket-Air Cleaner Mtg.
165	93856	1		Nut-Wing (#10-32)
166	231176	1		Stud-Air Cleaner (3/16" Stud)
172	27795	1		Gasket-Air Cleaner
180	291834	1		Tank Assy.-Fuel Used Before Code Date 80030300
180	29865	1		Tank Assembly-Fuel Uses: 29863 Outlet Assy. 62007 Clamp-Tank Holding (2) 63058 Connector 65294 Gasket-Outlet Assembly 65787 Gasket-Connector
180	394522	1	S	Tank Assembly-Fuel
180	395502	1	S	Tank Assy.-Fuel Used After Code Date 80030200
181	298425	1	S	Cap, Tank (Metal) A (1-1/2" O.d. Top)
181	69221	1	S/F	Cap-Fuel Tank Metal (1-3/4" O.d. Top) Used Before Code Date 6108030
190	93440	1	S/F	Screw, Sem Pan Hd C
191	27404	1	F	Gasket-Fuel Tank Mtg. Included in Gasket Set-Part No. 297275
265	221407	1		Clamp-Control Casing
267	93067	1	S	Screw, Sem Hex Head (3/8" Long)
268	66986	1	S	Casing, Wire (48" Cut To Required Length) If a longer casing is needed, specify length in inches; if a shorter casing is needed, order No. 66986 and cut to required length.
269	26099	1	S	Wire, Control (54" Cut To Required Length) If longer wire is needed specify length in inches; if shorter wire is needed order No. 26099 and cut to required length.
270	63426	1	S	Nut, Hex
271	290568	1	S	Lever-Control
445	392308	1	S/F	Filter-Air
446	222844	1	S/F	Base-Air Cleaner
447	93913	1	F	Screw-Slotted
467A	212293	1	F	Knob-Choke Rod
534A	93825	1	F	Screw, Air Cleaner
534	93322	1	F	Screw-Slotted (1-15/16" Long)
534	93568	1	F	Screw-Air Cleaner
535A	270979	1	F	Element-Air Cleaner
535	27987	1	S/F	Filter-A/c Element
536	296767	1	F	Cleaner Assy.-Air
549A	270978	1	F	Washer (Below Internal Screw Head)
549	271118	1	F	Washer
642	222626	1	F	Cover-Air Cleaner
643A	222845	1	F	Support-Foam Elemen (1/2" Deep)
643B	222594	1	F	Support-Foam Elemen (1/4" Deep)
643	222991	1	F	Cup-Air Cleaner

Ref #	Part Number	Qty	S/P/F	Description
852	392368	1	F	Cleaner-Air For Dual Element Air Cleaner Kit Order Part No. 393018

CARBURETOR WITH MULTI-PURPOSE SPEED ADJUSTER LEVER

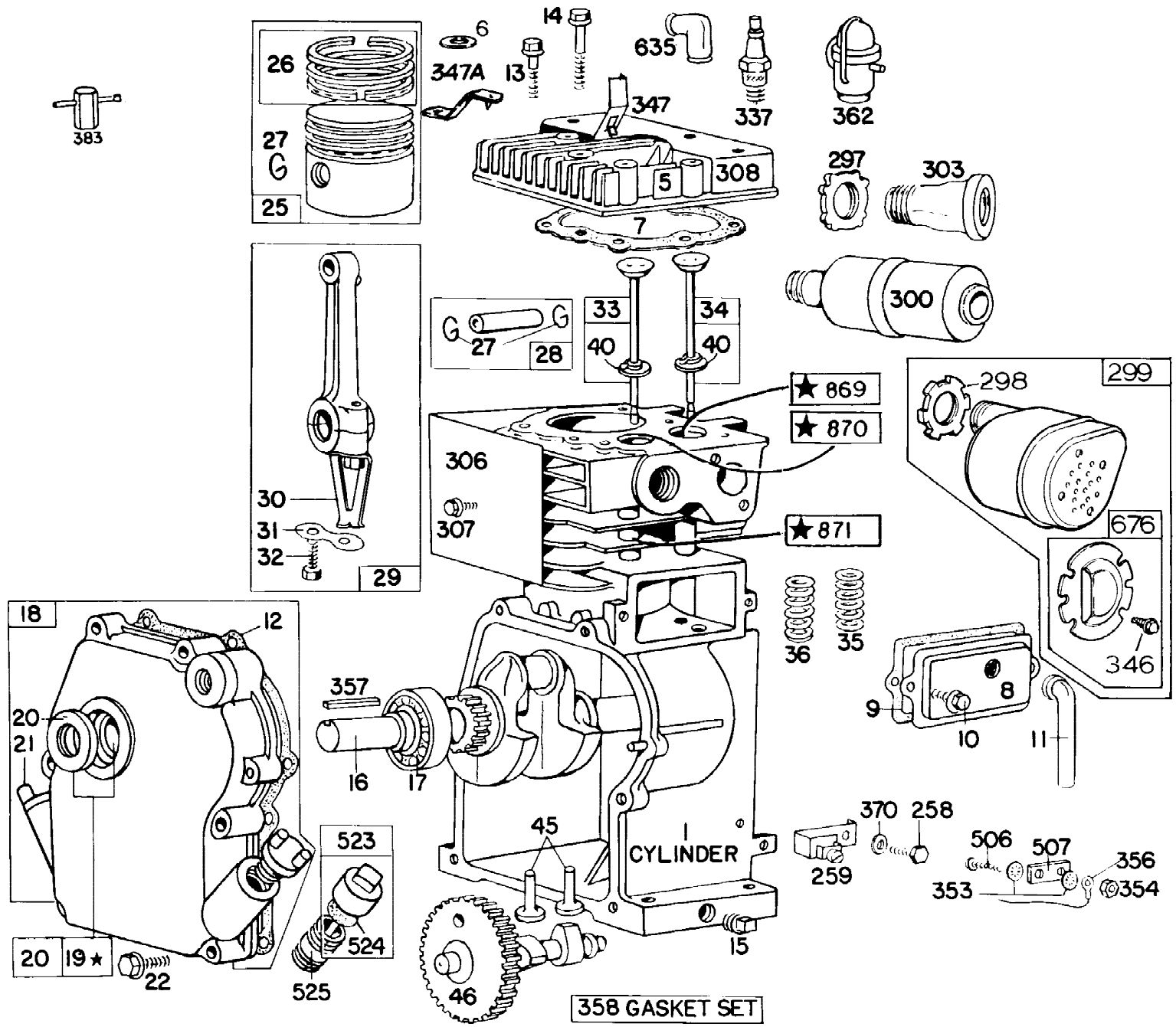


CARBURETOR WITH INDIVIDUAL LEVER SELECTIONS

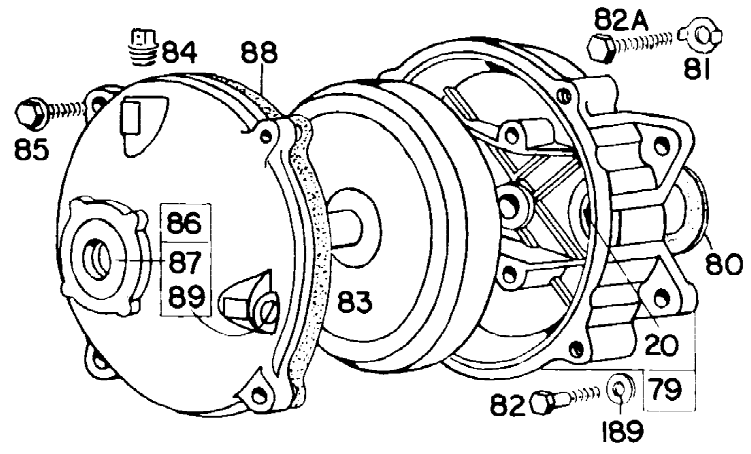


Ref #	Part Number	Qty	S/P/F	Description
52	27355	1	S/F	Gasket, Intake Elbo (2) Included in Gasket Set-Part No. 297275
53	93357	1	S/F	Screw-Sem, Phillips Hex. Hd.
90A	298270	1		Carburetor Assy.
90	393974	1		Carburetor Kit (Uses 222955 Ref. 156 Lever)
95	93499	1	S	Screw, Sem Pan Head (Throttle Valve)
96	211286	1		Valve-Throttle
97	392819	1	F	Shaft-Throttle
99	393586	1	S/F	Screw/Spring Grp
114	65787	1	F	Gasket-Needle Valve Nut
116	65978	1	S/F	Seal, O-Ring (Needle Valve)
117	23431	1	F	Nut-Needle Valve
118	23433	1	S/F	Valve-Needle
147	23432	1	F	Seat-Needle Valve
148	22235	1	S/F	Washer, Brass
149	26336	1	S/F	Spring-Needle Valve
150	220105	1		Connector-Governor Link Used Before Code Date 6610122
152	260575	1	S	Spring-Throttle Adjustment
153	298031	1		Screw-Carburetor Lever
154	93527	1	S	Screw, Tapping Roun (5-40 X 5/8")
155	220107	1		Cam-Speed Adjuster
156A	220949	1		Lever-Speed Adjuster
156	222955	1		Lever-Speed Adjuster
187	293700	1	F	Pipe-Fuel (Used To Replace Brass Pipes)
187	296476	1	F	Tube-Pick Up (Used To Replace Plastic Pipes)
201A	260716	1		Link-Governor Used Before Code Date 6610121
201	260040	1	S	Link-Governor Used After Code Date 6610111
204	230531	1	S	Collar-Bell Crank
209A	260662	1	S	Spring-Governor
209	260041	1	S	Spring-Governor
215A	222110	1		Lever-Control Uses: 222108 Plate-Detent 230943 Bushing-Lever 261053 Link-Control 93569 Washer-Spring
215	293424	1		Control-Governor
216	260188	1		Link-Choke
217	260189	1		Spring-Friction
218	220968	1		Washer (Choke Link)
256	220952	1		Lever-Speed Adjustment
257	93543	1	S	Screw, Sem Hex Head (10-32 X 3/8")
258	93062	1	S	Screw, Hex Head Tap
259	294502	1		Bracket-Control Wire Casing
348	296110	1	S/F	Switch-Stop
356	391115	1	S/F	Wire-Ground
356	93167	1	F	Screw-Sem Used to fasten Ground Wire to Stop Switch (Ref. No. 348) on earlier model engines.
370	66432	1	S/F	Washer, Steel Zinc
414	220982	1	S/F	Washer, Steel Zinc
538	260683	1	S/F	Rod, Control (Square Rod) For Round Wire Rod Order: 260560 Rod-Speed Control

Ref #	Part Number	Qty	S/P/F	Description
539	260684	1	S/F	Link, Governor (Used Only With Square Rod)
540	221380	1	S/F	Lever-Speed Adjuster
541	22398	1	S/F	Washer, Steel Zinc
542	221372	1	S/F	Clip, Rod Used only with Round Wire Control Rod.
542	393586	1	S/F	Screw/Spring Grp
542	93686	1	S/F	Screw, Hex Head Tap (10-32 X 5/8")
634	270167	1	F	Washer (Felt)
681	299059	1	F	Needle Valve Kit
898	92507	1	S/F	Lockwasher, Interna
899	93397	1	S/F	Lockwasher, Externa



*** SPECIAL TOOLS REQUIRED
 TO INSTALL**
 SEE REPAIR INSTRUCTION MANUAL

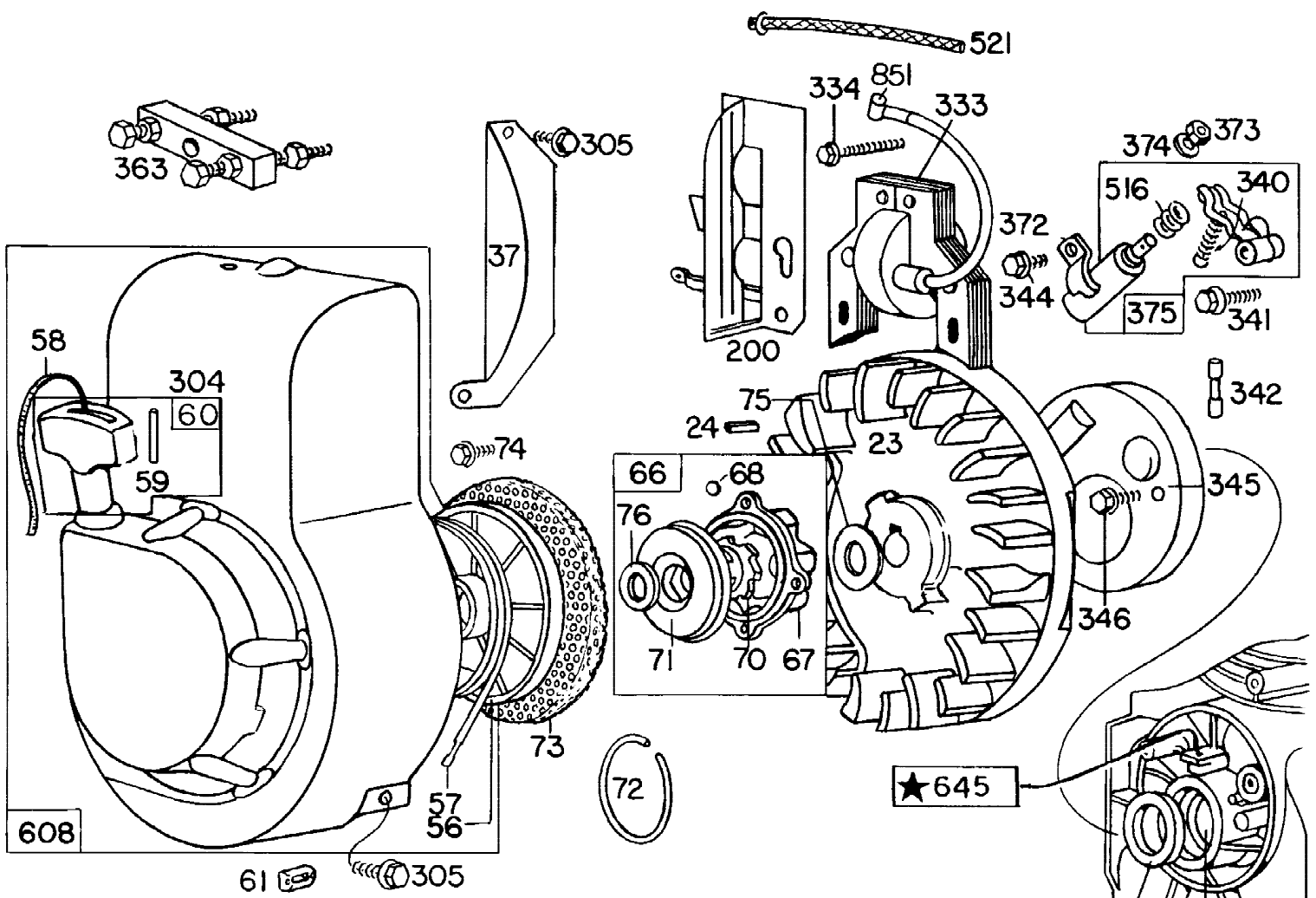
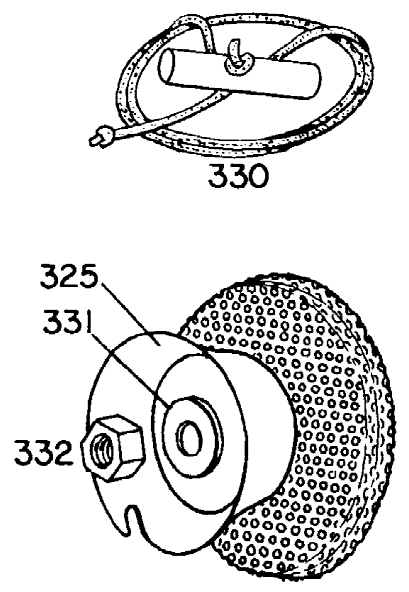
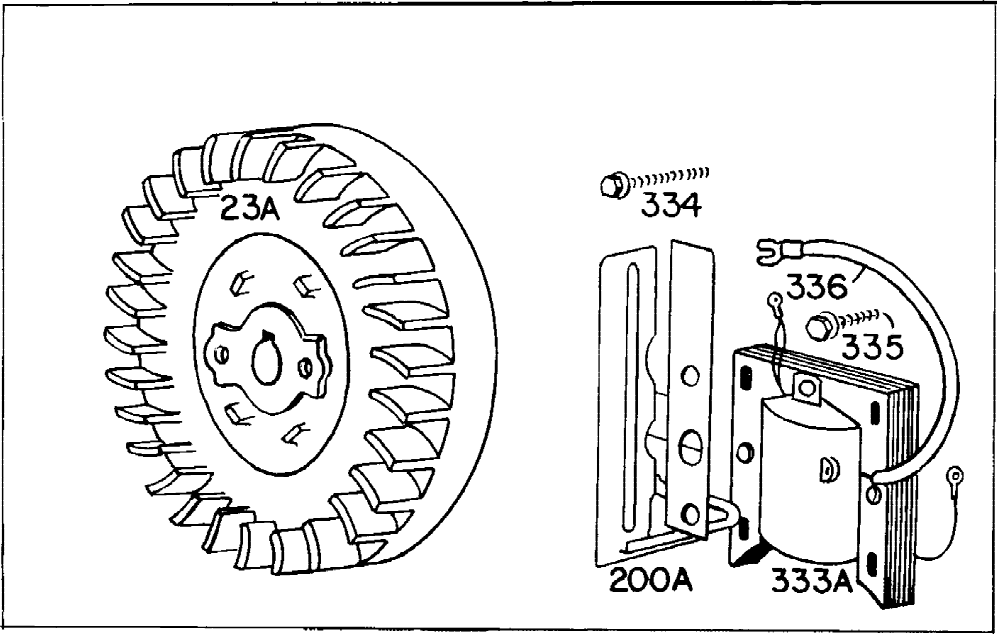


Ref #	Part Number	Qty	S/P/F	Description
1	294301	1		Cylinder Assy. Used Before Code Date 5810060
1	296561	1	S	Cylinder Assembly Used After Code Date 5810030
5	210209	1		Head-Cylinder Used Before Code Date 5810060
5	210812	1		Head-Cylinder Used After Code Date 5810030
6	22963	1	S	Washer, Flat
7	27670	1	S	Gasket-Cylinder Head Included in Gasket Set-Part No. 297275
8	294178	1	S	Cover-Breather
9	27549	1	S	Gasket, Valve Cover Included in Gasket Set-Part No. 297275
10	93394	1	S	Screw
11	66638	1	S	Tube-Breather
12	270833	1	S	Gasket, Crankcase (.015") Included in Gasket Set-Part No. 297275
12	270895	1		Gasket-Crkcase (.005") Included in Gasket Set-Part No. 297275
12	270896	1		Gasket-Crkcase (.009") Included in Gasket Set-Part No. 297275
13	93111	1	S	Screw, Machine Hex (15/16" Long)
13	93583	1	S	Stud, Cylinder Head
14	93113	1	S	Screw, Machine Hex (2-5/16" Long)
14	93583	1	S	Stud, Cylinder Head
15	91249	1	S	Plug, Pipe (Standar (1/4" Square)
16	260271	1	S	Crankshaft
17	99158	1		Ball Bearing (P.t.o. Side)
18	394820	1	S	Crankcase Cover (Plain Bearing Cover) Used After Code Date 81120800
18	394879	1		Cover-Crankcase Used After Code Date 81120800
18	394909	1	S	Cover-Crankcase Used After Code Date 81120800
18	395259	1	S	Cover-Crankcase Used After Code Date 81120800
19	293708	1	S	Bushing/Seal Kit (Plain Bearing) Bushings require special tools for installation
20	299819	1	S	Seal, Oil (Plain Bearing Covers)
21	66768	1	S	Plug, Oil Fill
22	93032	1	S	Screw-Tank Mounting
22	93656	1	S	Stud
25	293400	1		Piston Assy-Std Std. (For 2-5/16" Bore) Used Before Code Date 5810060
25	293401	1		Piston Assy. .010" O.S. (For 2-5/16" Bore) Used Before Code Date 5810060
25	293402	1		Piston Assy. .020" O.S. (For 2-5/16" Bore) Used Before Code Date 5810060

Ref #	Part Number	Qty	S/P/F	Description
25	293403	1		Piston Assy. .030" O.S. (For 2-5/16" Bore) Used Before Code Date 5810060
25	295587	1		Piston Assy-Std Used After Code Date 5810030
25	295588	1		Piston Assy-010 (For 2-3/8" Bore) Used After Code Date 5810030
25	295589	1		Piston Assy-020 (For 2-3/8" Bore) Used After Code Date 5810030
25	295590	1		Piston Assy-030 (For 2-3/8" Bore) Used After Code Date 5810030
26	293506	1		Ring Set-Piston Standard Used Before Code Date 5810060
26	293507	1		Ring Set-Piston .010" O.S. Used Before Code Date 5810060
26	293508	1		Ring Set-Piston .020" O.S. Used Before Code Date 5810060
26	293509	1		Ring Set-Piston .030" O.S. Used Before Code Date 5810060
26	294224	1		Ring Set-010 (.010" O.S.) Used After Code Date 5810030
26	294225	1	/P	Ring Set-020 (.020" O.S.) Used After Code Date 5810030
26	294226	1	/P	Ring Set-030 Used After Code Date 5810030
26	294232	1	/P	Ring Set-Std (Std.) Used After Code Date 5810030
26	297201	1		Ring Set-Std Chr
27	26026	1	S	Lock-Piston Pin
28	298908	1		Pin-Piston 005 (.005" O.S.)
28	298909	1		Pin-Piston Std
29	294300	1		Rod Assy.-Connecting
30	220459	1		Dipper-Connecting Rod
31	220460	1	S	Lock-Connecting Rod Screw
32	92296	1	S	Screw-Connecting Rod
33	296676	1	/P	Valve-Exhaust (Grooved Stem-Includes Retainer No. 93312)
34	23386	1	F	Valve-Intake (With Hole In Stem) Used Before Code Date 5810060
34	296677	1		Valve-Intake (Grooved stem-includes Retainer) Used After Code Date 5810030
35	260552	1	S/F	Spring, Valve
36	26478	1	S/F	Spring, Valve (Exhaust)
40	230126	1	F	Pin-Valve Spring Set
40	23184	1	S/F	Retainer-Valve Spring
40	23187	1	F	Pin-Locating (Use with valves with hole in stem except with rotocap)
40	292259	1	F	Retainer-Valve (Exhaust)

Ref #	Part Number	Qty	S/P/F	Description
40	93312	1	S/F	Retainer, Spring (Used With Valves With Groove In Stem)
45	230173	1	S/F	Tappet-Valve
46	210453	1	S/F	Gear-Cam
79	290779	1	S	Case-Reduction Gear
80	27667	1	S	Gasket-Gear Case
81	220234	1	S	Lock-Screw Head
82A	92279	1	S	Screw, Hex Head Cap (5/16-24 X 1/2")
82	91541	1	S	Screw, Hex Head Cap (5/16-24 X 7/8")
83	211293	1	S	Shaft-Auxiliary Drive
84	92617	1	S	Screw-Gear Case Mounting Sem
85	92747	1	S	Screw, Sem Hex Hd M (Used on Two Top Holes to Mount Cover)
86	291730	1	S	Cover-Gear Case
87	19011	1	S	Seal-Oil
88	27313	1	S	Gasket-Gear Case Cover
89	92015	1		Plug/Oil Drain (1/8" Pipe Thread) Used Before Code Date 6304180
89	93448	1	S	Plug, Pipe (Flush) (1/4-18 Nptf) Used Before Code Date 6304170
189	90366	1	S/F	Lockwasher, Zinc Pl
258	93062	1	S	Screw, Hex Head Tap
259	294502	1		Bracket-Control Wire Casing
297	91811	1		Locknut-Exhaust Elbow
298	220859	1	S	Locknut, Muffler/EI
299	392811	1	S/F	Muffler Grp (Lo-Tone) Used Before Code Date 80030300
300	89966	1	F	Muffler-Exhaust
303	91810	1	S/F	Elbow, Exhaust (45 Degree Street)
306	220478	1	F	Shield-Cylinder
337	293918	1	S/F	Spark Plug,resistor
337	29693	1	S/F	Spark Plug
337	298809	1	S/F	Spark Plug
337	392588	1	S/F	Spark Plug
337	394539	1	S/F	Spark Plug (Resistor)
346	93705	1	S/F	Screw, Tapping Hex (8-32 X 3/8)
347A	298926	1	F	Sparkplug Stop Sw
347	220884	1	F	Switch-Stop
347	221808	1	F	Switch-Stop
353	92791	1	S/F	Lockwasher, Interna
354	90576	1	S/F	Nut, Hex (8-32)
356	391115	1	S/F	Wire-Ground
356	93167	1	F	Screw-Sem Used to fasten Ground Wire to Stop Switch (Ref. No. 348) on earlier model engines.
357	91539	1	S/F	Key, Pulley (3/16" Square)
358	297275	1	S/F	Gasket Set (Used with Rotary Choke Carburetors)
362	291630	1	S/F	Shield, Spark Plug (With Stop Switch)
370	66432	1	S/F	Washer, Steel Zinc
383	89838	1	S/F	Wrench-Spark Plugs
506	90200	1	F	Screw-Slotted (8-32 X 1/2")

Ref #	Part Number	Qty	S/P/F	Description
507	66895	1	F	Insulator-Terminal
523	69345	1	F	Cap-Oil Filter
524	65304	1	S/F	Gasket-Oil Filler Cap
525	91258	1	S/F	Dipstick Tube (2-1/2" Long) Use 394884 Adapter-Oil Filler with Nipple
635	66538	1	S/F	Elbow-Spark Plug
676	393760	1	F	Deflector-Muff (Side Outlet)
869	210879	1	F	Seat-Valve (Intake) See Repair Instructions Manual for Options.
870	211291	1	S/F	Seat-Valve (Exhaust) See Repair Instructions Manual for Options.
871	63709	1	F	Bushing-Guide (Brass)

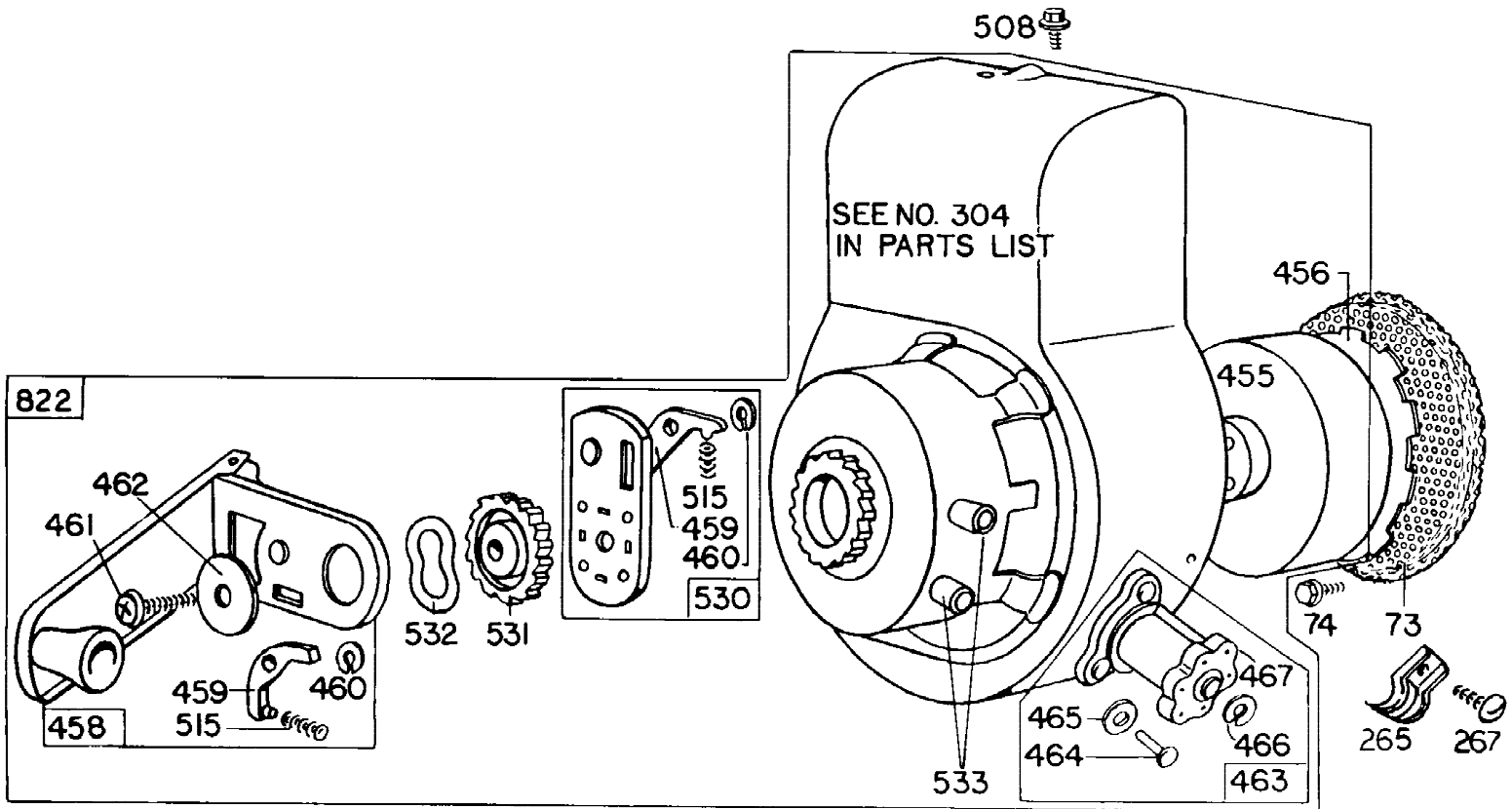
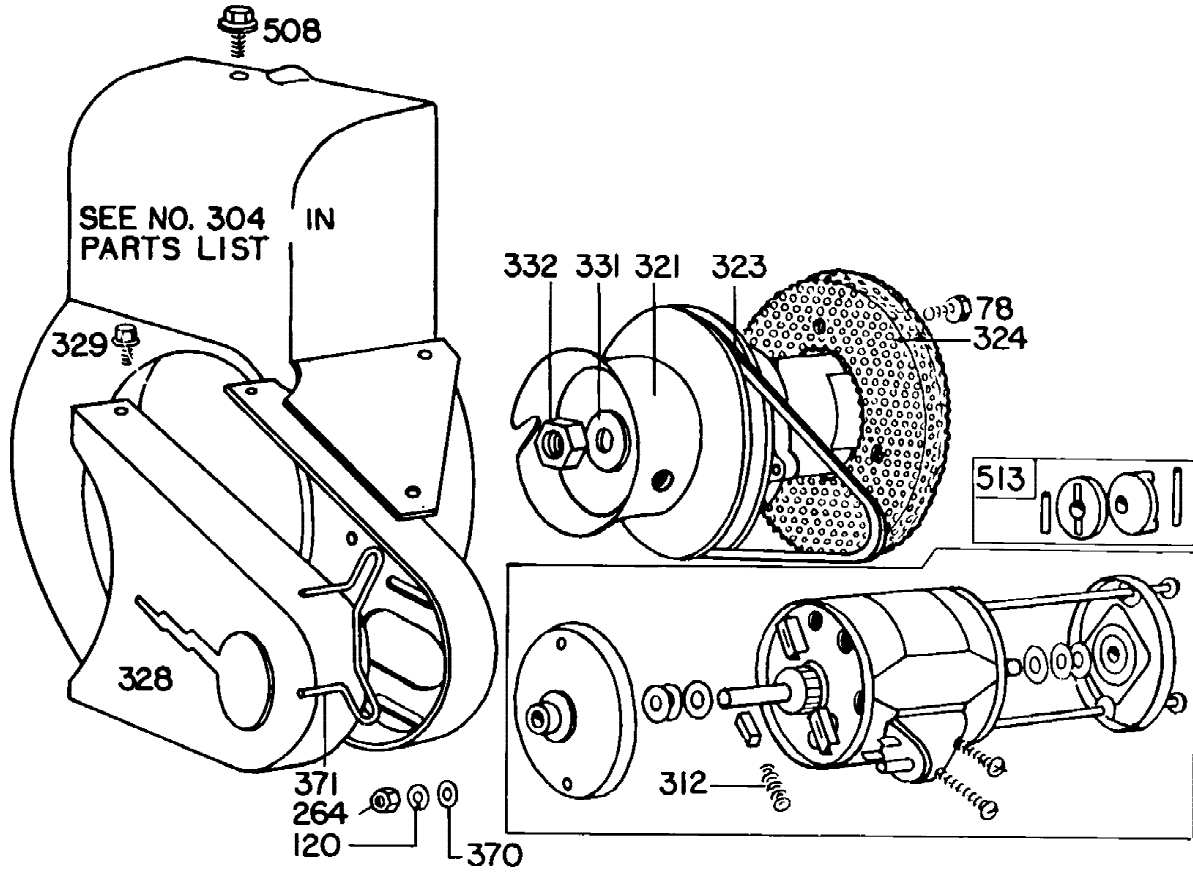


★ REQUIRES SPECIAL TOOLS TO INSTALL
SEE REPAIR INSTRUCTION MANUAL

Ref #	Part Number	Qty	S/P/F	Description
1	294301	1		Cylinder Assy. Used Before Code Date 5810060
1	296561	1	S	Cylinder Assembly Used After Code Date 5810030
2	293708	1	S	Bushing/Seal Kit (Plain Bearing)
3	299819	1	S	Seal, Oil (Plain Bearing Covers)
23A	295936	1		Flywheel-Magneto Used Before Code Date 6212310
23	296884	1		Flywheel-Magneto Used After Code Date 6201310
24	61760	1		Key, Flywheel (For Breaker Ignition System)
37	220971	1	F	Guard-Flywheel
56	280117	1	S	Pulley-Starter Used After Code Date 6506301
56	294088	1		Pulley-Rewind Starter Used Before Code Date 6507011
57	294303	1	S	Spring-Rewind Starter
58	395022	1	S	Rope/Grip Kit (47-1/8" Long) If longer rope is needed, order No. 66684 or No. 66514 and cut to required length Used After Code Date 6506301 and Before Code Date 6507011
58	66694	1		Rope-Starter (47-1/8" Long) Used After Code Date 6506301
59	230228	1	S	Pin-Starter Rope
60	393152	1	/P	Insert-Starter Handle
61	68618	1		Bumper-Str Pull (Used with Steel Pulley only)
66	298310	1		Clutch Assy.-Rewind Starter Used After Code Date 6405220
66	298798	1	S	Clutch Assy.-Rewind Starter Used Before Code Date 6405250
67	210400	1		Housing-Starter Clutch Used Before Code Date 6405250
67	212131	1		Housing-Str. Clutch Used After Code Date 6405220
68	63770	1	S	Ball-Clutch
70	296597	1		Ratchet-Starter Used Before Code Date 6405250
70	298436	1	S	Ratchet-Str. Clutch Used After Code Date 6405220
71	220575	1		Washer-Retainer
71	221301	1		Washer Used Before Code Date 6405250
71	221653	1	S	Washer, Steel (Non-Coated) Used After Code Date 6405220
72	26032	1		Spring-Clutch Retainer-Washer Used Before Code Date 6405250
73	220648	1	S	Screen-Starter Pulley Used Before Code Date 6405250

Flywheel, Blower Hsg, Elect

Ref #	Part Number	Qty	S/P/F	Description
73	221661	1	S	Screw-Rewind Starter Used After Code Date 6405220
74	93490	1	S	Screw-Hex
75	220865	1	S	Washer, Belleville (Used With Heavy Flywheel)
76	68238	1	S	Seal-Ratchet Used After Code Date 6405220
200A	294298	1		Blade-Governor Used Before Code Date 6212310
200	297310	1	S	Blade-Governor Used After Code Date 6212310
304	..	1	F	No Nomenclature For type numbers not listed below, see Ref. No. 608
305	93158	1	S/F	Screw, Sem Hex Head (1/4-20 X 5/8")
330	395022	1	S/F	Rope/Grip Kit (47-1/8" Long)
331	62577	1	F	Washer-Belleville (1/2" Hole) For Washer with 5/8" Hole-Order No. 220865
332	91708	1	F	Nut-Flywheel (1/2-20 L.h. Thread) For Nut with 5/8-18 Right Hand Thread-Order No. 92284
333A	291617	1		Armature-Mag Used Before Code Date 6212310
333	298502	1	S	Armature-Mag (For Points And Condenser) Used After Code Date 6212310
334	93381	1	S	Screw, Machine Hex
335	93381	1	S	Screw, Machine Hex
336	292149	1	F	Cable-Ignition (Std.) Used Before Code Date 6212310
340	26018	1	F	Spring-Breaker Arm
341	93381	1	S/F	Screw, Machine Hex
342	65704	1	S/F	Plunger-Breather Point
344	93042	1	S/F	Screw, Sem Hex Head
345	220366	1	F	Cover-Breather Point And Condenser
346	93705	1	S/F	Screw, Tapping Hex (8-32 X 3/8)
363	19069	1	F	Puller-Flywheel (Optional Accessory)
373	220477	1	F	Clamp-Condensor
373	92987	1	S/F	Nut, Hex Mach
374	92813	1	F	Washer-Lock
375	294628	1	F	Breaker Points And Condensor Set
375	299061	1	F	Ignition Kit Includes: 294628 Point Set 65704 Plunger 61760 Key-Flywheel
516	260374	1	F	Condenser Spring
608	294259	1	F	Blower Housing/Star (10 O'clock)
645	23513	1	F	Bushing-Plunger (Used only with Breaker Point Ignition)
851	221798	1	S/F	Terminal-Spark Plug



Starters

Ref #	Part Number	Qty	S/P/F	Description
73	220648	1	S	Screen-Starter Pulley Used Before Code Date 6405250
73	221661	1	S	Screw-Rewind Starter Used After Code Date 6405220
74	93490	1	S	Screw-Hex
78	93705	1	S	Screw, Tapping Hex (8-32 X 3/8)
120	92290	1	S/F	Lockwasher, Zinc Pl
264	90355	1	S	Nut, Hex Mach (10-32)
265	221407	1		Clamp-Control Casing
267	93067	1	S	Screw, Sem Hex Head (3/8" Long)
304	..	1	F	No Nomenclature For type numbers not listed below, see Ref. No. 608
312	260404	1	F	Spring-Brush
321	210711	1	F	Pulley-Starter (Fits Crankshafts With 1/2-20 Thread) When order this Pulley, order Vee-Belt part No. 67228 also.
323	67038	1	F	Belt-Vee Used Before Code Date 5905040
323	67228	1	F	Belt-Vee
324	220648	1	S/F	Screen-Starter Pulley
324	29395	1	F	Starter Pulley With Screen (1/2" Hole In Pulley)
328	221038	1	F	Guard-Belt
329	93705	1	S/F	Screw, Tapping Hex (8-32 X 3/8)
331	62577	1	F	Washer-Belleville (1/2" Hole) For Washer with 5/8" Hole-Order No. 220865
332	91708	1	F	Nut-Flywheel (1/2-20 L.h. Thread) For Nut with 5/8-18 Right Hand Thread-Order No. 92284
370	66432	1	S/F	Washer, Steel Zinc
371	260275	1	F	Restrictor-Belt
455	296455	1	F	Cup/Spring (With Pinned Spring)
456	221222	1	F	Plate-Retainer
458	296305	1	F	Handle Assy.-Cranking
459	221332	1	F	Pawl/Ratchet
460	93272	1	F	Retainer-Ratchet Pawl
461	93231	1	F	Screw-Handle Mtg.
462	221237	1	F	Washer-Handle Mtg.
463	296445	1	F	Holder Assy.-Flywheel
464	93291	1	F	Rivet/Lock (2)
465	221226	1	F	Washer
466	93272	1	F	Retainer-Ratchet Pawl
467	211017	1	F	Knob-Control
508	93294	1	F	Screw, Sem (5/8" Long)
513	296567	1	F	Clutch Assy.-Electric Starter
515	260537	1	F	Spring-Single Acting Ratchet Pawl
530	296304	1	F	Housing Assy.-Pawl
531	230615	1	F	Ratchet-Top Starter
532	260500	1	F	Washer-Spring
533	67478	1	F	Knob-Stop
822	296732	1	F	Starter Assy.-Wind