



Illustrated Parts List

Model Series

10T800

TYPE NUMBERS
0004 through 3716.

TABLE OF CONTENTS

Air Cleaner	5
Blower Housing/Shrouds	6
Brake	5
Camshaft	3
Carburetor	4
Controls	4
Crankcase Cover/Sump	3
Crankshaft	3
Cylinder	2
Cylinder Head	2
Exhaust System	5
Flywheel	6
Fuel Supply	4
Gasket Set - Engine	3
Gasket Set - Valve	3
Governor Spring	4
Ignition	5
Lubrication	2
Operator's Manual	2
Piston/Rings/Connecting Rod	3
Rewind Starter	6
Warning Label	2

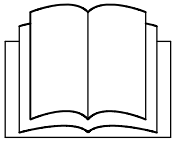


PRINTED IN U.S.A.

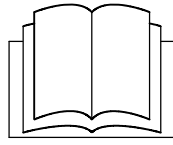
COPYRIGHT by BRIGGS & STRATTON CORPORATION
All rights reserved. No part of this material may be reproduced or transmitted, in any form or by any means, electronic or mechanical, including photocopying, recording or by any information storage and retrieval system, without permission in writing from Briggs & Stratton Corporation.

10T800

1058 OPERATOR'S MANUAL



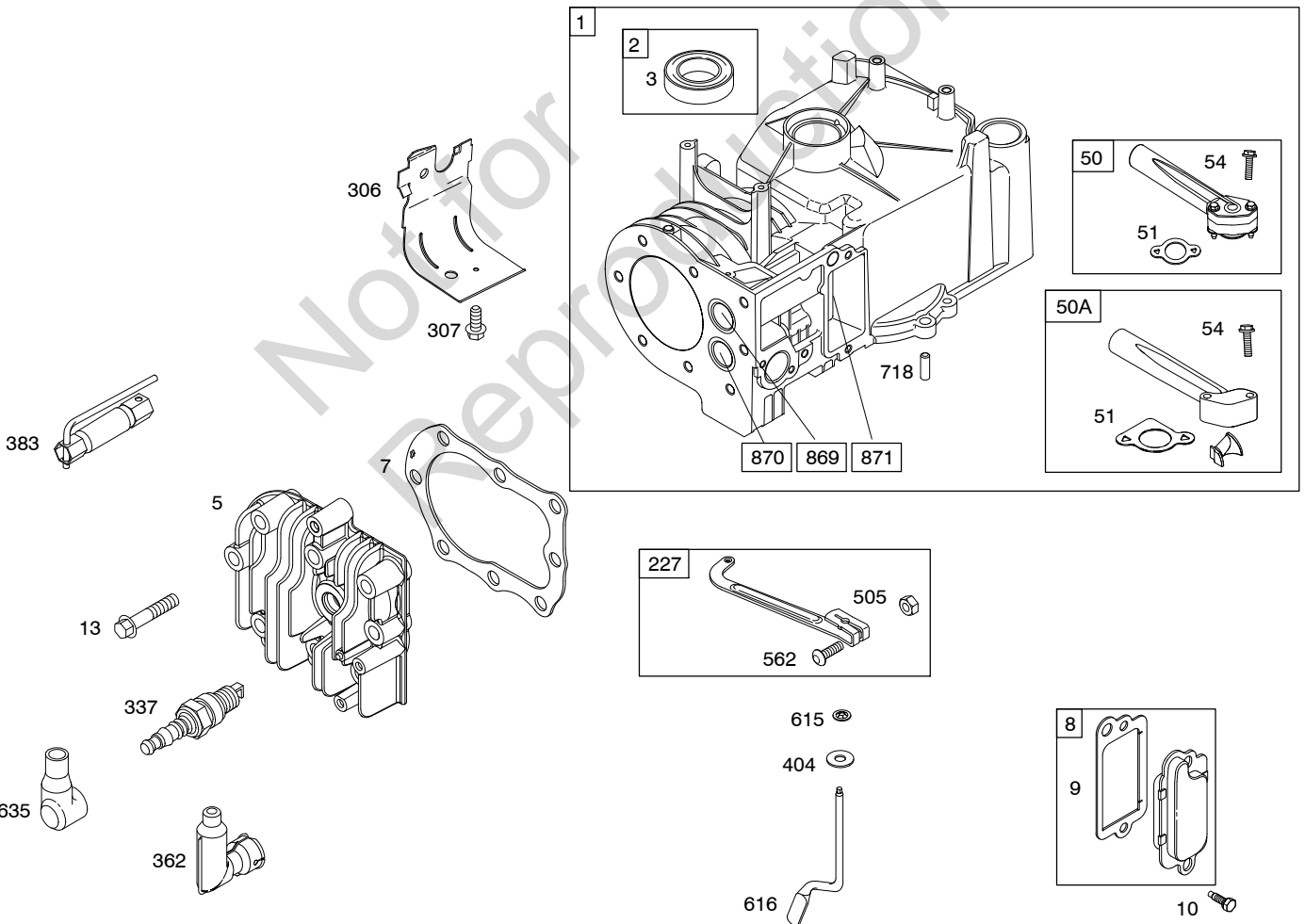
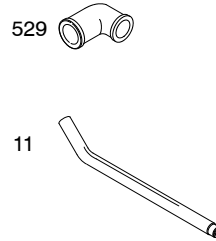
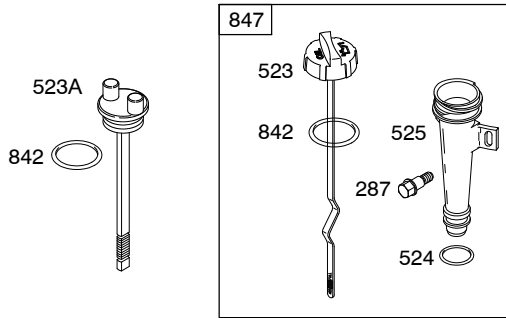
1330 REPAIR MANUAL



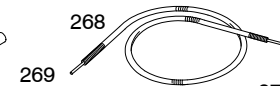
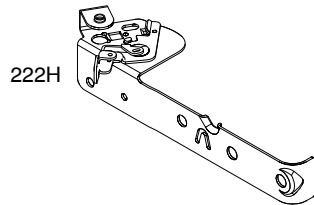
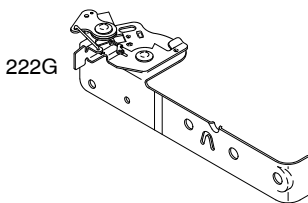
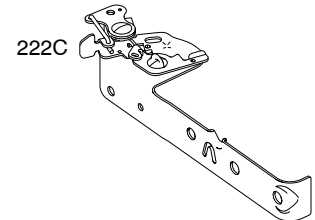
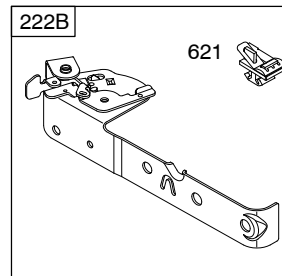
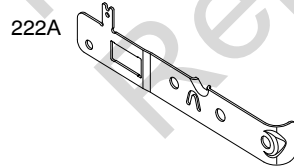
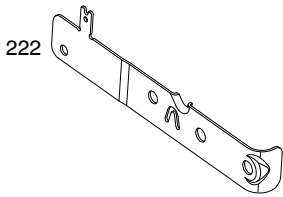
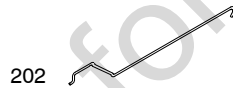
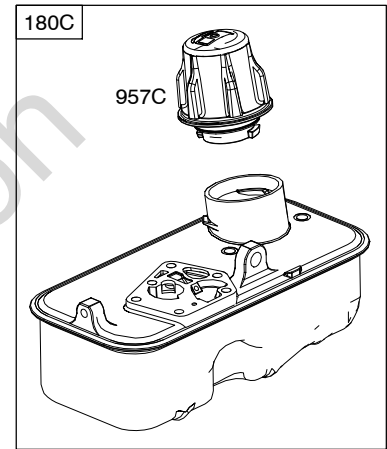
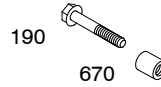
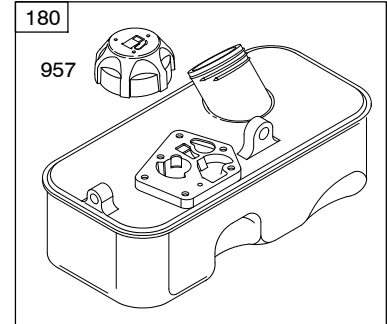
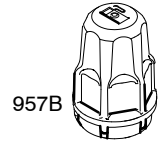
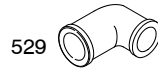
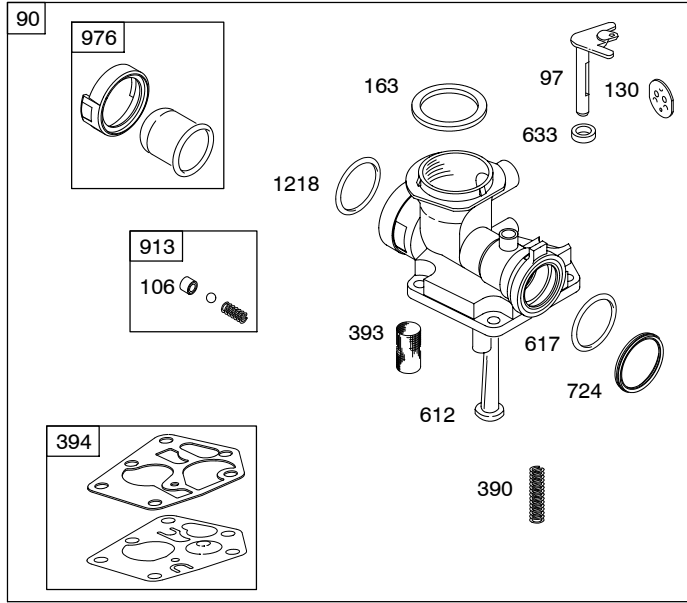
1319 WARNING LABEL

WARNING	
	Read and follow Operating Instructions before running engine.
	Gasoline is flammable. Allow engine to cool at least 2 minutes before refueling.
	Engines emit carbon monoxide, DO NOT run in enclosed area.
	Muffler area temperature may exceed 150°F. Do not touch hot parts.

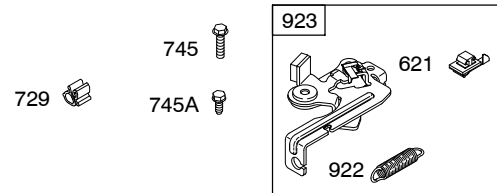
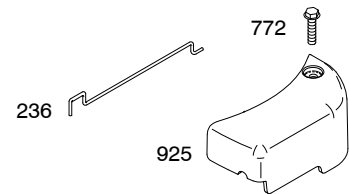
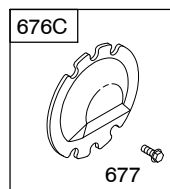
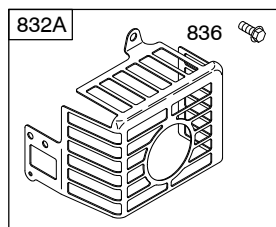
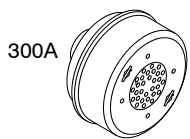
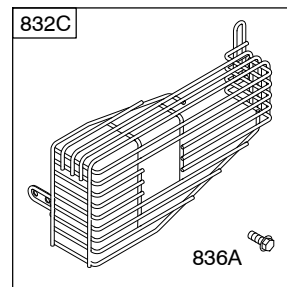
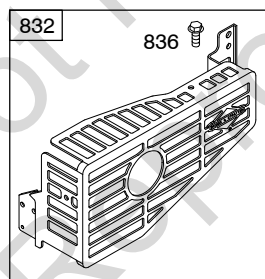
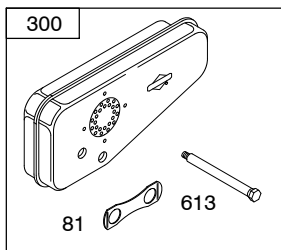
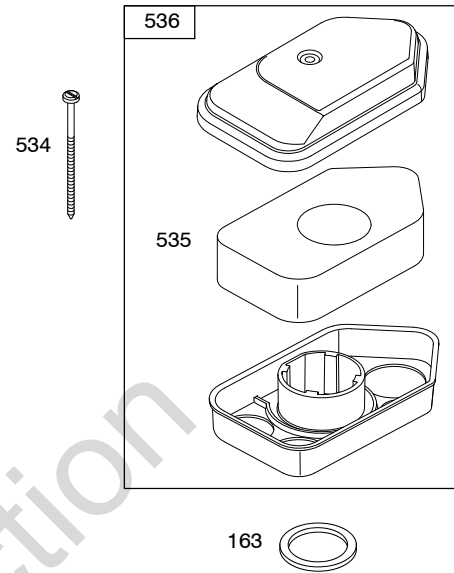
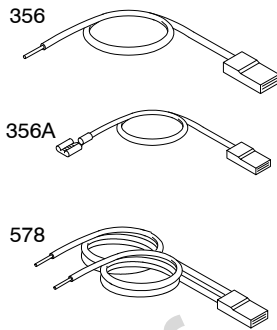
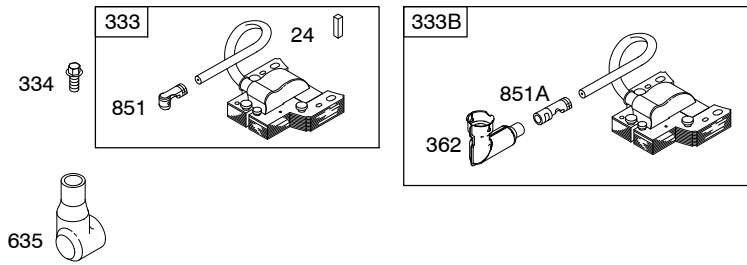
REQUIRED when replacing parts with warning labels affixed.



Illustrations cover a range of engines. Parts shown without corresponding text may not be used on your specific engine.
 3747-2 Assemblies include all parts shown in frames. 07/13/2010

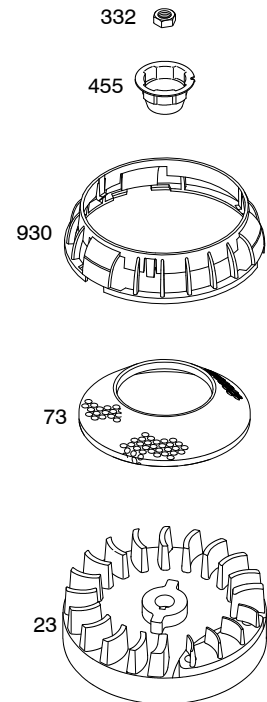
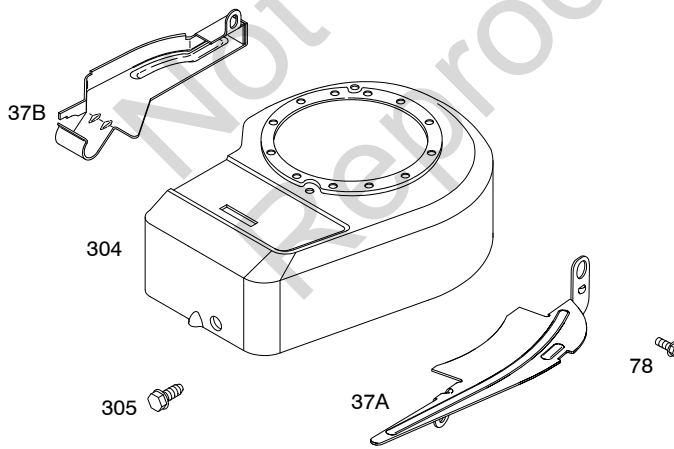
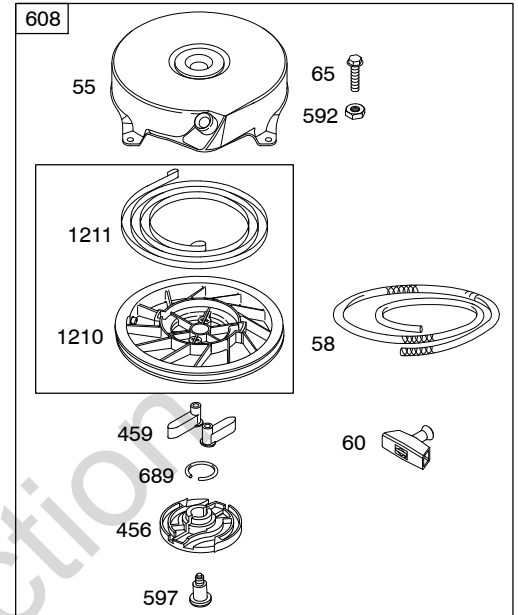
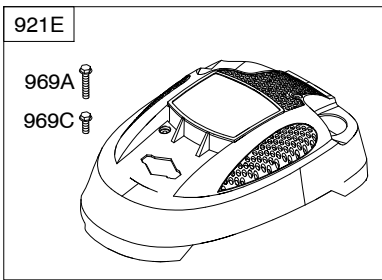
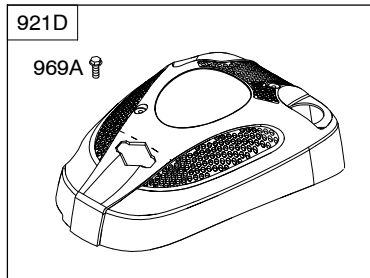
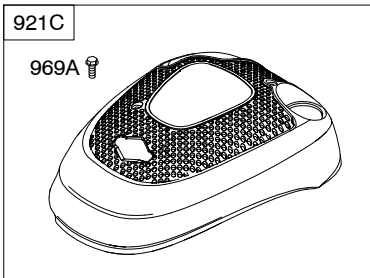
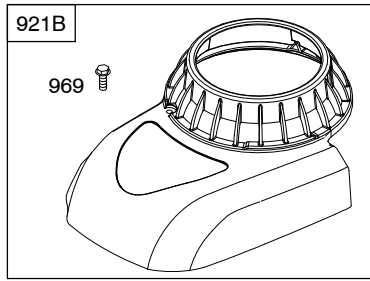
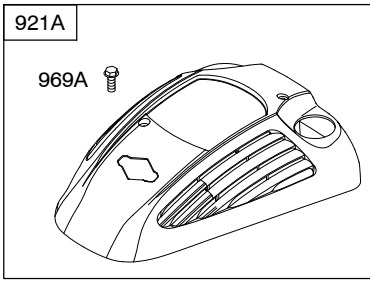


Illustrations cover a range of engines. Parts shown without corresponding text may not be used on your specific engine.
 3747-4 Assemblies include all parts shown in frames. 07/13/2010



Illustrations cover a range of engines. Parts shown without corresponding text may not be used on your specific engine.
 3747-5 Assemblies include all parts shown in frames. 07/13/2010

10T800



1036 EMISSIONS LABEL



REF. NO.	PART NO.	DESCRIPTION	REF. NO.	PART NO.	DESCRIPTION	REF. NO.	PART NO.	DESCRIPTION
1	699650	Cylinder Assembly	16A	692989	Crankshaft (Used Before Code Date 08071400).	33	296676	Valve-Exhaust
2	399269	Kit-Bushing/Seal (Magneto Side)			Used on Type No(s). 0004, 0005, 0018, 0462, 0497.	34	296677	Valve-Intake
3	299819S	Seal-Oil (Magneto Side)			----- Note ----- 791739 Crankshaft (Used Before Code Date 08071400).	35	690520	Spring-Valve (Intake)
4	798264	Sump-Engine ----- Note ----- 699081 Sump-Engine Used on Type No(s). 0005.			Used on Type No(s). 0149, 0177.	36	690520	Spring-Valve (Exhaust)
5	790169	Head-Cylinder	20	391483S	Seal-Oil (PTO Side)	37A	793748	Guard-Flywheel (Muffler Side)
7	698717	Gasket-Cylinder Head	22	692551	Screw (Crankcase Cover/Sump)	37B	697403	Guard-Flywheel (Carburetor Side)
8	791781	Breather Assembly			----- Note ----- 795695 Flywheel (Used After Code Date 08012900).	40	692194	Retainer-Valve
9	695890	Gasket-Breather	23	795549	Flywheel ----- Note ----- 795695 Flywheel (Used After Code Date 08012900).	43	697799	Slinger-Governor/Oil
10	691666	Screw (Breather Assembly)			Used on Type No(s). 0004, 0005, 0110, 0115, 0125, 0148, 0149, 0177.	45	691762	Tappet-Valve
11	691245	Tube-Breather			690843 Flywheel (Used Before Code Date 08013000).	46	691998	Camshaft
12	692218	Gasket-Crankcase (Standard) (.015" Thick) ----- Note ----- 270895 Gasket- Crankcase (.005" Thick) 270896 Gasket- Crankcase (.009" Thick)			Used on Type No(s). 0004, 0005, 0110, 0115, 0125, 0148, 0149, 0177.	50	699644	Manifold-Intake
13	691640	Screw (Cylinder Head)			----- Note ----- 795695 Flywheel Used on Type No(s). 0149, 0152, 0153, 0154, 0177.	50A	792388	Manifold-Intake
15	691680	Plug-Oil Drain	24	222698S	Key-Flywheel	51	699649	Gasket-Intake
16	796217	Crankshaft ----- Note ----- 796218 Crankshaft (Used After Code Date 08071300). Used on Type No(s). 0004, 0005, 0018, 0462, 0497. 796218 Crankshaft Used on Type No(s). 0152, 1390. 796216 Crankshaft Used on Type No(s). 0016, 0110, 0111, 0114, 0115, 0118, 0120, 0121, 0125, 0126, 0129, 0130, 0132, 0135, 0136, 0154, 0159, 0180, 0198, 0249. 796219 Crankshaft (Used After Code Date 08071300). Used on Type No(s). 0149, 0177.	25	795691	Piston Assembly (Standard) ----- Note ----- 795689 Piston Assembly (.020" Oversize)	51C	792389	Gasket-Intake
			26	795690	Ring Set (Standard) ----- Note ----- 795688 Ring Set (.020" Oversize)	54	691111	Screw (Intake Manifold)
			27	691588	Lock-Piston Pin	55	692144	Housing-Rewind Starter
			28	699659	Pin-Piston	58	697316	Rope-Starter (88 5/8" Long) ----- Note ----- 691921 Rope-Starter (70" Long) Used on Type No(s). 0110, 0115, 0148, 0152, 0154, 1390.
			29	699654	Rod-Connecting	60	691915	Grip-Starter Rope
			32	691664	Screw (Connecting Rod)	65	690837	Screw (Rewind Starter)
					73	699850	Screen-Rotating	
					78	692198	Screw (Flywheel Guard)	
					81	691179	Lock-Muffler Screw	
					90	798758	Carburetor ----- Note ----- 795476 Carburetor Used on Type No(s). 0156.	
					97	697414	Shaft-Throttle	
					106	691901	Seat-Inlet	
					130	691190	Valve-Throttle ----- Note ----- 794060 Valve-Throttle Used on Type No(s). 0156.	
					163	271139S	Gasket-Air Cleaner	
					180	494406	Tank-Fuel	
					180C	795473	Tank-Fuel Used on Type No(s). 0156.	

Illustrations cover a range of engines. Parts shown without corresponding text may not be used on your specific engine.
3747-7 Assemblies include all parts shown in frames. 07/13/2010

10T800

REF. NO.	PART NO.	DESCRIPTION	REF. NO.	PART NO.	DESCRIPTION	REF. NO.	PART NO.	DESCRIPTION
188	692198	Screw (Control Bracket)		790220	Spring-Governor Used on Type No(s). 0004, 0005, 0110, 0115, 0148.	222G	794780	Bracket-Control Used on Type No(s). 0120, 0125, 0130, 0131, 0137, 0138, 0139, 0143, 0152, 0192, 0196, 0272.
190	691640	Screw (Fuel Tank) (1 3/4" Long)		790001	Spring-Governor Used on Type No(s). 0112, 0175.	222H	798686	Bracket-Control Used on Type No(s). 0136, 0156, 0159, 0180, 0198.
190A	691108	Screw (Fuel Tank) (9/16" Long)	222	698725	Bracket-Control Used on Type No(s). 0111, 0112, 0124, 0128, 0140, 0147, 0155, 0161, 0175, 0547, 0694, 0708, 0710, 0711, 0716, 0776, 0778, 0780, 0793, 0823, 0878, 1025, 1059, 1086, 1095, 1098, 1130, 1132, 1162, 1165, 1228, 1238, 1244, 1248, 1253, 1327, 1332, 1333, 1341, 1397, 1433, 1450, 3708, 3716.	227	697402	Lever-Governor Control
202	698835	Link-Mechanical Governor				236	691867	Link-Lockout Used on Type No(s). 0015, 0016, 0018.
209	698726	Spring-Governor Used on Type No(s). 0111, 0114, 0116, 0118, 0119, 0120, 0121, 0122, 0124, 0125, 0126, 0127, 0128, 0129, 0130, 0132, 0134, 0135, 0136, 0140, 0151, 0156, 0159, 0161, 0165, 0176, 0180, 0197, 0198, 0248, 0483, 0708, 0716, 0823, 0878, 1162, 1165, 1228, 3708, 3716.	222A	792240	Bracket-Control Used on Type No(s). 0115.	265	692179	Clamp-Casing Used on Type No(s). 0120, 0130, 0132, 0173, 0197.
		----- Note ----- 698719 Spring-Governor Used on Type No(s). 0015, 0016, 0018, 0123, 0131, 0137, 0138, 0139, 0143, 0145, 0147, 0149, 0152, 0153, 0154, 0155, 0173, 0177, 0192, 0196, 0272, 0462, 0497, 0547, 0694, 0710, 0711, 0776, 0778, 0780, 0793, 1025, 1059, 1086, 1095, 1098, 1130, 1132, 1238, 1244, 1248, 1253, 1327, 1332, 1333, 1341, 1390, 1397, 1433, 1450.	222B	699326	Bracket-Control Used on Type No(s). 0004, 0005, 0015, 0016, 0018, 0110, 0148, 0153, 0154, 0462, 0497, 1390.	265A	690798	Clamp-Casing Used on Type No(s). 0004, 0005, 0015, 0016, 0018, 0114, 0116, 0118, 0119, 0123, 0125, 0126, 0127, 0129, 0135, 0137, 0145, 0149, 0151, 0152, 0153, 0154, 0176, 0177, 0192, 0196.
			222C	697410	Bracket-Control Used on Type No(s). 0123, 0129, 0132, 0145, 0197.	265B	691024	Clamp-Casing Used on Type No(s). 0121, 0131, 0138, 0139, 0143, 0272.
					----- Note ----- 795390 Bracket-Control Used on Type No(s). 0114, 0116, 0118, 0119, 0121, 0122, 0126, 0127, 0134, 0135, 0149, 0151, 0165, 0173, 0176, 0177, 0248, 0249, 0483.	267	691044	Screw (Casing Clamp)
						268	691025	Casing-Control Wire
						269	691026	Wire-Control
						270	691027	Nut (Control Wire Casing)
						271	691028	Lever-Control
						287	691002	Screw (Dipstick Tube)

Illustrations cover a range of engines. Parts shown without corresponding text may not be used on your specific engine.
3747-8 Assemblies include all parts shown in frames. 07/13/2010

REF. NO.	PART NO.	DESCRIPTION	REF. NO.	PART NO.	DESCRIPTION	REF. NO.	PART NO.	DESCRIPTION
300	692307	Muffler (Super Lo Tone) Used on Type No(s). 0111, 0112, 0114, 0116, 0118, 0119, 0120, 0121, 0122, 0123, 0124, 0125, 0126, 0127, 0128, 0129, 0130, 0131, 0132, 0134, 0135, 0136, 0137, 0138, 0139, 0140, 0143, 0145, 0149, 0151, 0152, 0156, 0159, 0161, 0165, 0173, 0175, 0176, 0177, 0180, 0192, 0196, 0197, 0198, 0248, 0249, 0272, 0483, 0694, 0823, 1228.	304	697411	Housing-Blower (Compliance Engines) ----- Note ----- 790297 Housing- Blower (Non Compliance Engines) Used on Type No(s). 0004, 0005, 0110, 0120, 0125, 0130, 0131, 0137, 0138, 0139, 0143, 0148, 0152, 0153, 0154, 0192, 0196, 0272, 0462, 0497, 1390. 697795 Housing- Blower (Compliance Engines) Used on Type No(s). 0111, 0112, 0114. 791392 Housing- Blower (Non Compliance Engines) Used on Type No(s). 0115.	334	691061	Screw (Magneto Armature)
300A	394569S	Muffler (Round Lo Tone) Used on Type No(s). 0004, 0005, 0015, 0016, 0018, 0110, 0115, 0147, 0148, 0155, 0153, 0154, 0462, 0497, 0547, 0708, 0710, 0711, 0716, 0776, 0778, 0780, 0793, 0878, 1025, 1059, 1086, 1095, 1098, 1130, 1132, 1162, 1165, 1238, 1244, 1248, 1253, 1327, 1332, 1333, 1341, 1390, 1397, 1433, 1450, 3708, 3716.	305	692198	Screw (Blower Housing)	337	796112S	Plug-Spark ----- Note ----- 697451 Plug-Spark Used on Type No(s). 0004, 0005, 0015, 0016, 0018, 0111, 0112, 0114, 0118, 0120, 0122, 0123, 0124, 0125, 0126, 0127, 0130, 0131, 0132, 0137, 0138, 0139, 0143, 0153, 0154, 0173, 0192, 0196, 0197, 0248, 0249, 0272.
			306	690400	Shield-Cylinder (Used Before Code Date 06101100).	356	692390	Wire-Stop
			307	690345	Screw (Cylinder Shield) (Used Before Code Date 06101100).	356A	693010	Wire-Stop Used on Type No(s). 0115.
			332	690662	Nut (Flywheel)	358	794209	Gasket Set-Engine
			333	793281	Armature-Magneto	362	793351	Shield-Spark Plug Used on Type No(s). 0110, 0116, 0119, 0121, 0128, 0129, 0134, 0135, 0136, 0140, 0145, 0147, 0149, 0151, 0152, 0155, 0156, 0159, 0161, 0165, 0175, 0176, 0177, 0180, 0198, 0483, 0823, 0878, 1130, 1132, 1162, 1165, 1228, 1327, 1332, 1333, 1341, 1397, 1450.
			333B	793352	Armature-Magneto Used on Type No(s). 0110, 0116, 0119, 0121, 0128, 0129, 0134, 0135, 0136, 0140, 0145, 0147, 0149, 0151, 0152, 0155, 0156, 0159, 0161, 0165, 0175, 0176, 0177, 0180, 0198, 0483, 0823, 0878, 1130, 1132, 1162, 1165, 1228, 1327, 1332, 1333, 1341, 1397, 1450.	363	19069	Puller-Flywheel
						365	790029	Screw (Carburetor)
						383	89838S	Wrench-Spark Plug
						390	691839	Spring-Choke Diaphragm
						393	691837	Screen-Carburetor
						394	795083	Diaphragm-Carburetor ----- Note ----- 795478 Diaphragm- Carburetor Used on Type No(s). 0156.
						404	690272	Washer (Governor Crank)

Illustrations cover a range of engines. Parts shown without corresponding text may not be used on your specific engine.

10T800

REF. NO.	PART NO.	DESCRIPTION	REF. NO.	PART NO.	DESCRIPTION	REF. NO.	PART NO.	DESCRIPTION
455	691236	Cup-Flywheel	670	691633	Spacer-Fuel Tank	832C	790743	Guard-Muffler
456	692299	Plate-Pawl Friction	676C	393756	Deflector-Muffler			Used on Type No(s).
459	281505S	Pawl-Ratchet			Used on Type No(s).			0111, 0112, 0114,
505	691251	Nut			0110, 0148.			0116, 0118, 0119,
		(Governor Control Lever)	677	690661	Screw			0120, 0121, 0122,
523	692040	Dipstick			(Muffler Deflector)			0123, 0124, 0125,
523A	691913	Dipstick			Used on Type No(s).			0126, 0127, 0128,
		Used on Type No(s).			0110, 0148.			0129, 0134, 0135,
		0112.	689	691855	Spring-Friction			0136, 0137, 0140,
524	691876	Seal-Dipstick Tube	718	690959	Pin-Locating			0145, 0151, 0152,
525	691320	Tube-Dipstick			(Cylinder)			0156, 0159, 0161,
529	692189	Grommet	718A	499047	Pin-Locating			0165, 0175, 0176,
534	691417	Screw			(Crankshaft)			0180, 0192, 0198,
		(Air Cleaner)			(Used Before Code			0248, 0249, 0483,
535	698369	Filter-Air Cleaner			Date 08071400).	836	690664	Screw
		Foam	724	697478	Retainer-Seal			(Muffler Guard)
536	698472	Cleaner-Air	729	690586	Clip-Wire			(13/32" Long)
562	691119	Bolt	741	796210	Gear-Timing			Used on Type No(s).
		(Governor Control Lever)			(Used After Code Date			0004, 0005, 0110,
578	398153	Wire Assembly	741A	691805	Gear-Timing			0131, 0132, 0138,
		Used on Type No(s).			(Used Before Code			0139, 0143, 0148,
		0015, 0016, 0018.			Date 08071400).			0149, 0153, 0154,
592	690800	Nut	745	691146	Screw			0173, 0177, 0197,
		(Rewind Starter)			(Brake)			0272, 0462, 0497,
597	691696	Screw			(7/8" Long)	836A	790745	Screw
		(Pawl Friction Plate)	745A	690859	Screw			(Muffler Guard)
608	499706	Starter-Rewind			(Brake)			(1/2" Long)
		(88 5/8" Rope)			(1/2" Long)			Used on Type No(s).
		----- Note -----	772	691111	Screw			0111, 0112, 0114,
		690101 Starter-			(Linkage Cover)			0116, 0118, 0119,
		Rewind			Used on Type No(s).			0120, 0121, 0122,
		(70" Rope)			0111, 0112, 0114,			0123, 0124, 0125,
		Used on Type No(s).			0155, 0156, 0161,			0126, 0127, 0128,
		0110, 0115, 0148,			0180, 0198.			0129, 0134, 0135,
		0152, 0154, 1390.	832	699299	Guard-Muffler			0136, 0137, 0140,
612	496046S	Tube-Pick Up			(Super Lo Tone)			0145, 0151, 0152,
613	691413	Screw			Used on Type No(s).			0156, 0159, 0161,
		(Muffler)			0131, 0132, 0138,			0165, 0175, 0176,
615	690340	Retainer-Governor			0139, 0143, 0149,			0180, 0192, 0196,
		Shaft			0173, 0177, 0197,			0197, 0198, 0248,
616	697405	Crank-Governor			0272.			0249, 0483, 0823,
617	270344S	Seal-O Ring	832A	699670	Guard-Muffler			1228.
		(Intake Manifold)			(Round Lo Tone)			
621	692310	Switch-Stop			Used on Type No(s).			
		(Brake)			0004, 0005, 0110,			
633	691321	Seal-Choke/Throttle			0148, 0153, 0154,			
		Shaft			0462, 0497, 1162,			
		(Throttle)			1165.			
635	66538S	Boot-Spark Plug						

Illustrations cover a range of engines. Parts shown without corresponding text may not be used on your specific engine.
 3747-10 Assemblies include all parts shown in frames. 07/13/2010

Not for
Reproduction

