



# Illustrated Parts List

## Model Series

# 120300

TYPE NUMBERS  
0036 through 3781.

### TABLE OF CONTENTS

<b>Air Cleaner</b> .....	6
<b>Blower Housing</b> .....	7
<b>Camshaft</b> .....	2
<b>Carburetor</b> .....	4
<b>Controls</b> .....	5
<b>Crankcase Cover</b> .....	2
<b>Crankshaft</b> .....	2
<b>Cylinder</b> .....	2
<b>Cylinder Head</b> .....	3
<b>Electric Starter</b> .....	5
<b>Exhaust System</b> .....	6
<b>Flywheel</b> .....	7
<b>Fuel Supply</b> .....	4
<b>Gear Reduction</b> .....	7
<b>Governor Spring</b> .....	5
<b>Ignition</b> .....	5
<b>Kits/Gaskets - Carburetor</b> .....	4
<b>Kits/Gaskets - Engine</b> .....	2
<b>Kits/Gaskets - Valve</b> .....	3
<b>Lubrication</b> .....	2
<b>Piston Group</b> .....	2
<b>Rewind Starter</b> .....	7



PRINTED IN U.S.A.

COPYRIGHT by BRIGGS & STRATTON CORPORATION  
All rights reserved. No part of this material may be reproduced or transmitted, in any form or by any means, electronic or mechanical, including photocopying, recording or by any information storage and retrieval system, without permission in writing from Briggs & Stratton Corporation.

1319 WARNING LABEL



**REQUIRED** when replacing parts with warning labels affixed.

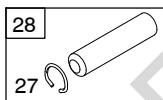
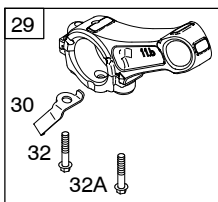
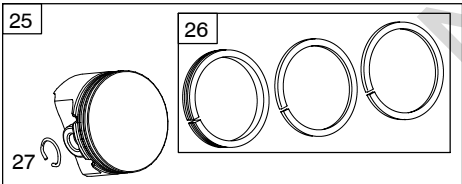
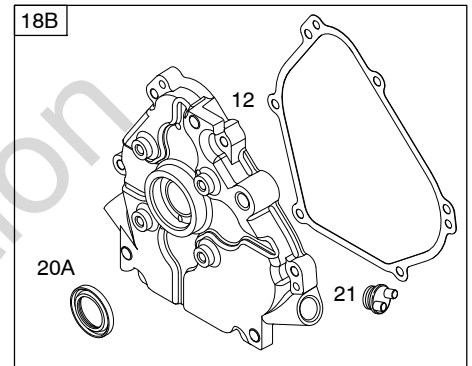
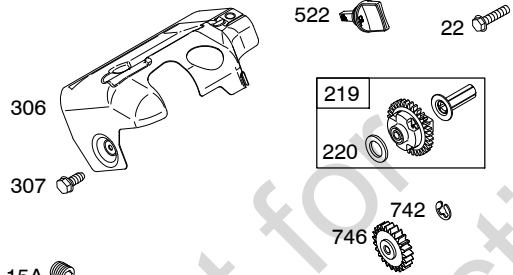
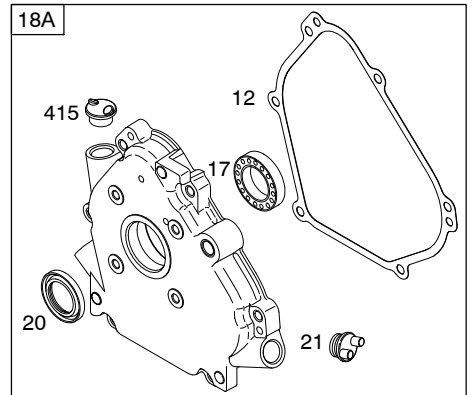
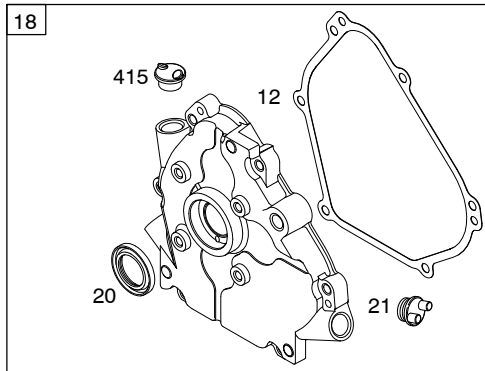
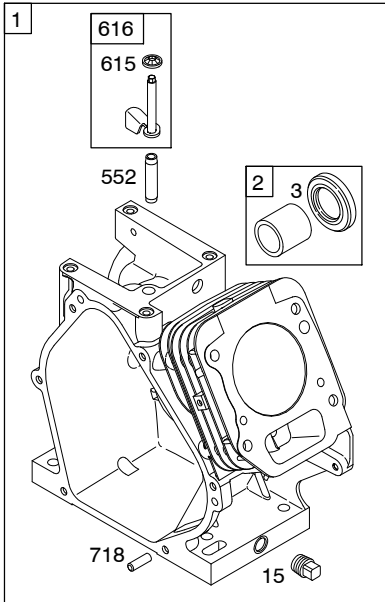
1058 OPERATOR'S MANUAL



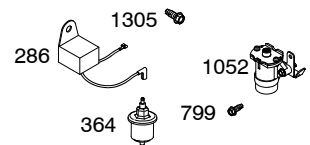
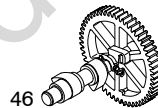
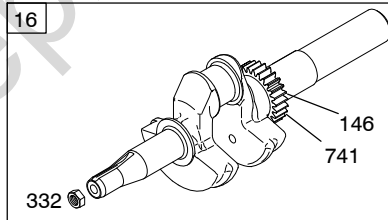
1330 REPAIR MANUAL



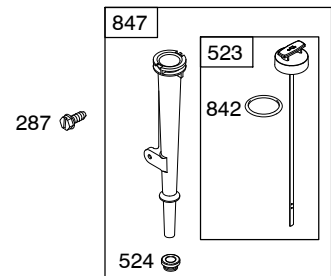
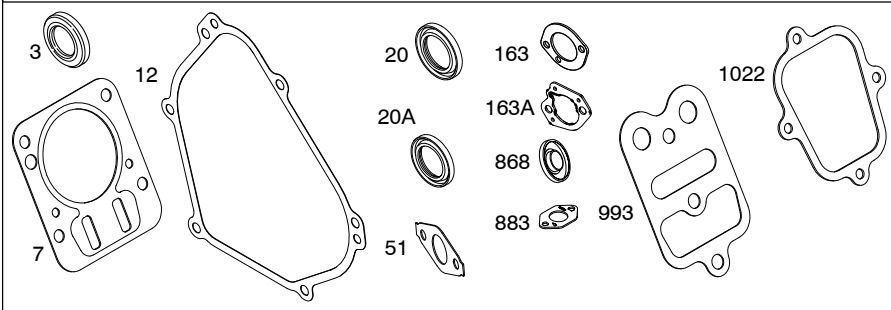
1019 LABEL KIT



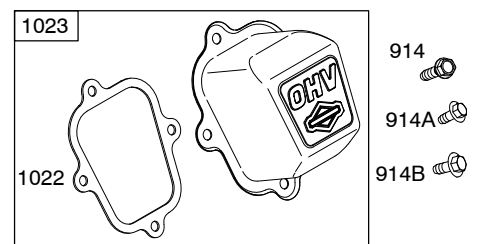
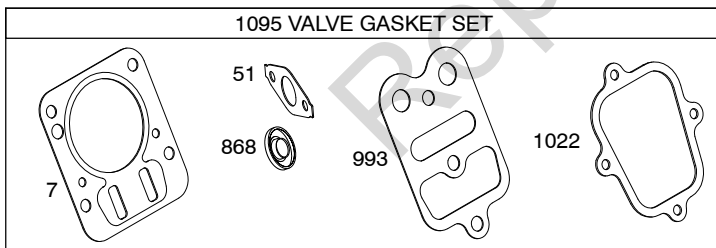
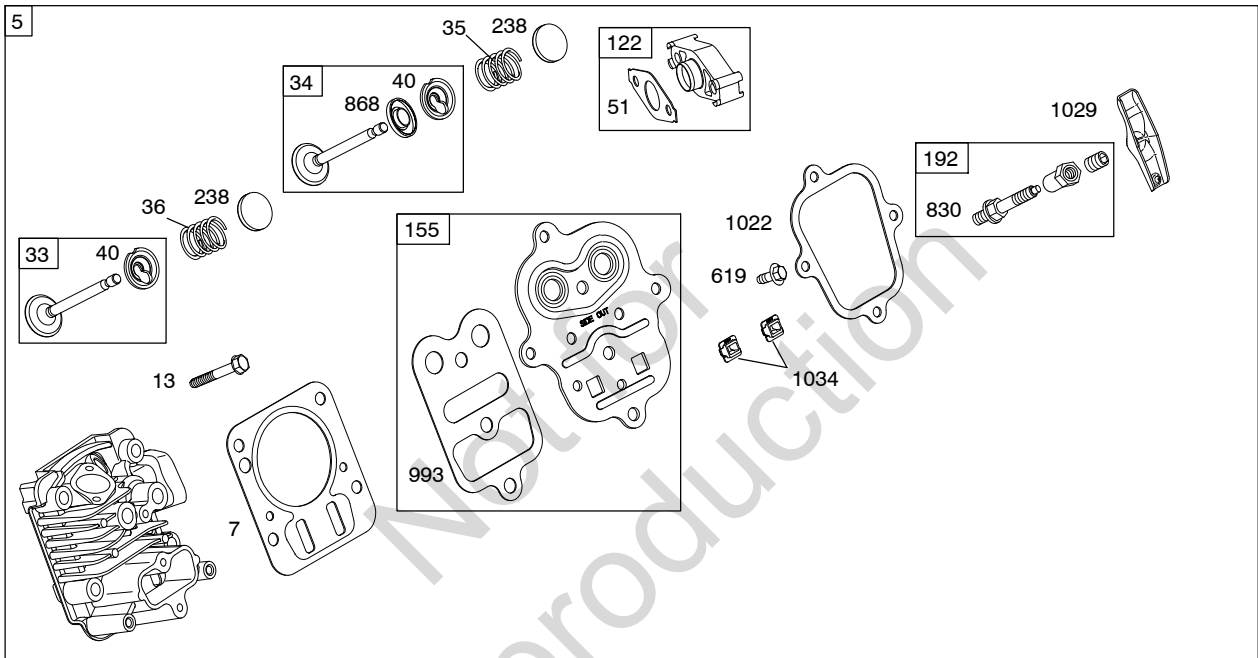
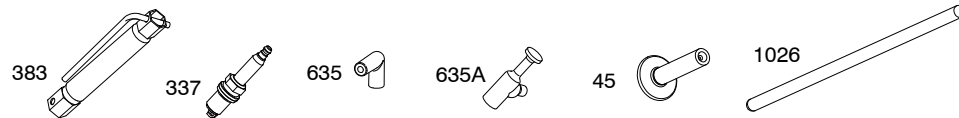
24

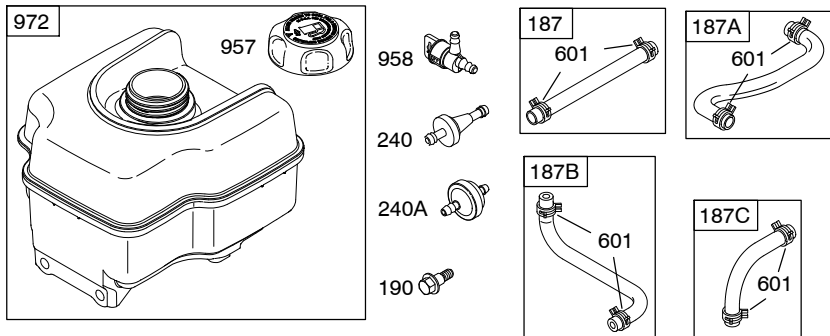
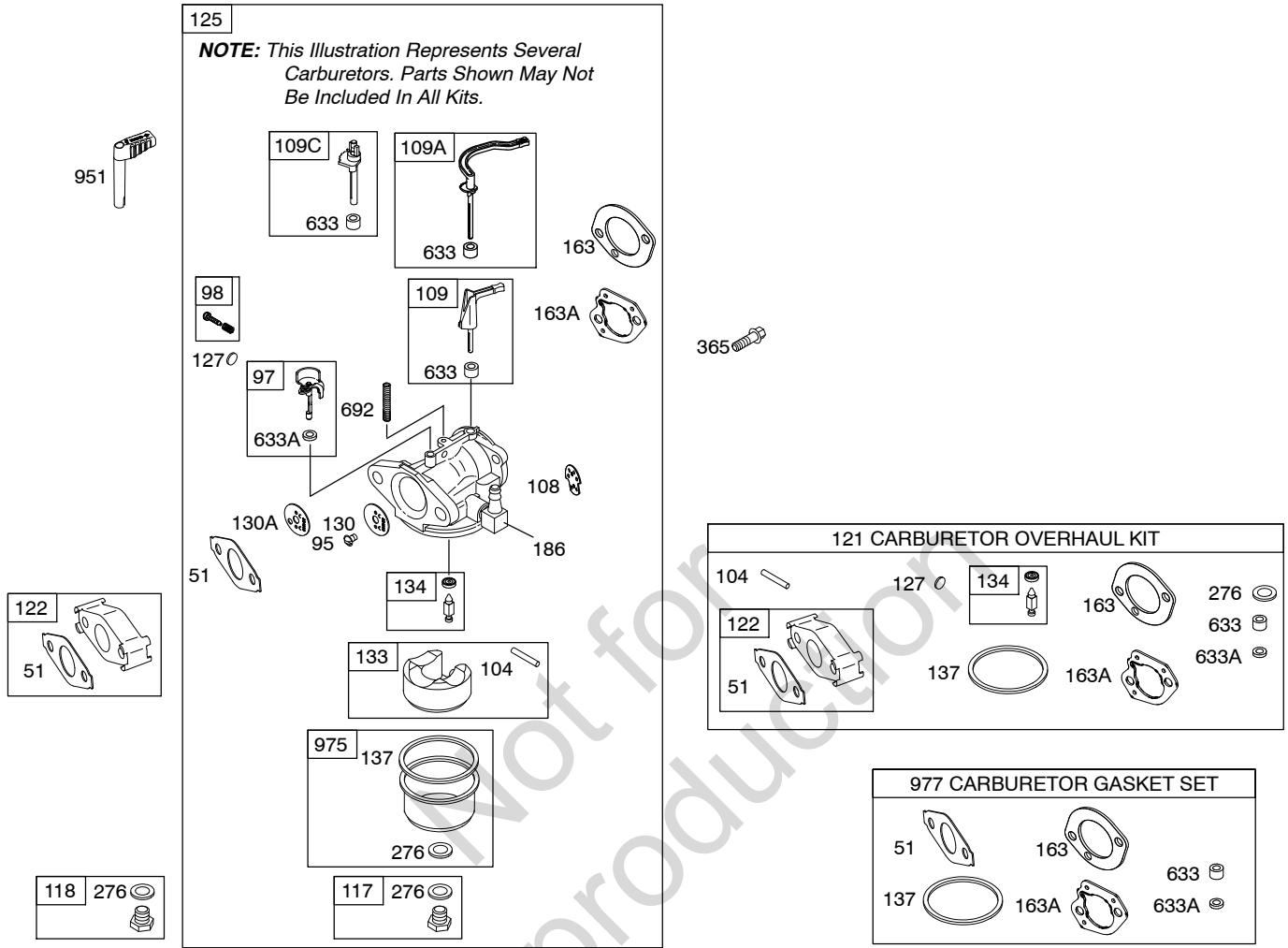


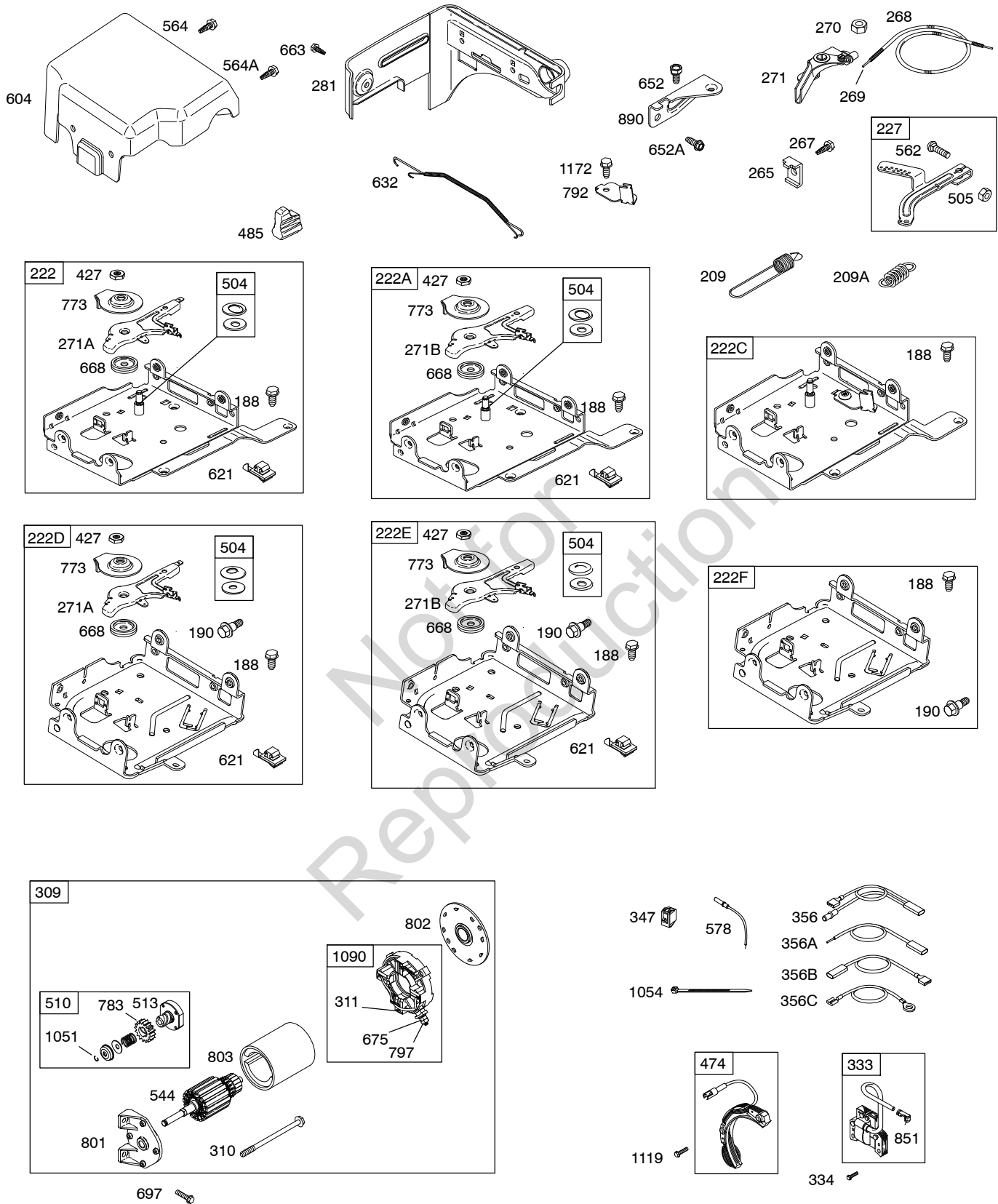
358 ENGINE GASKET SET



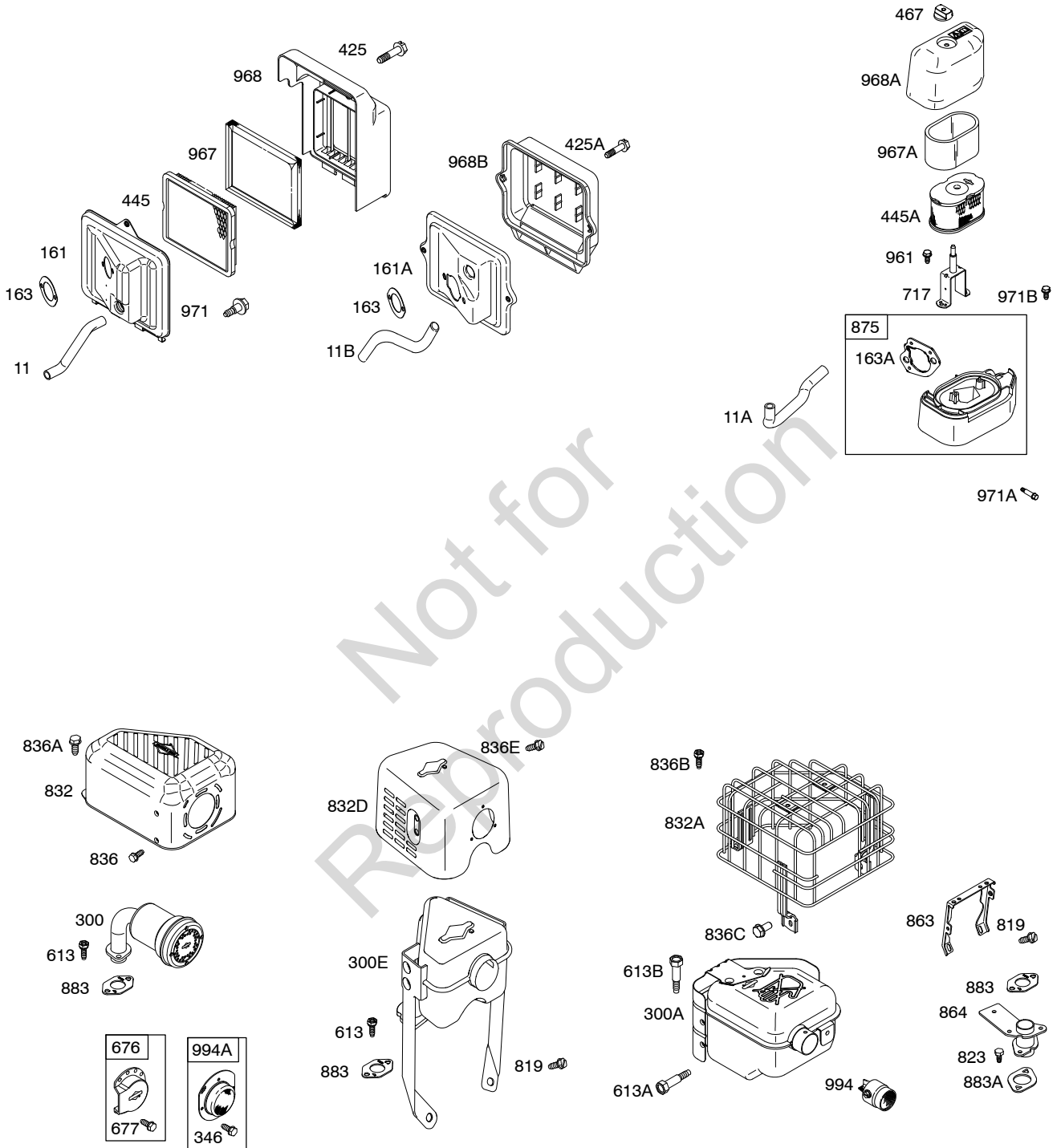
Illustrations cover a range of engines. Parts shown without corresponding text may not be used on your specific engine.



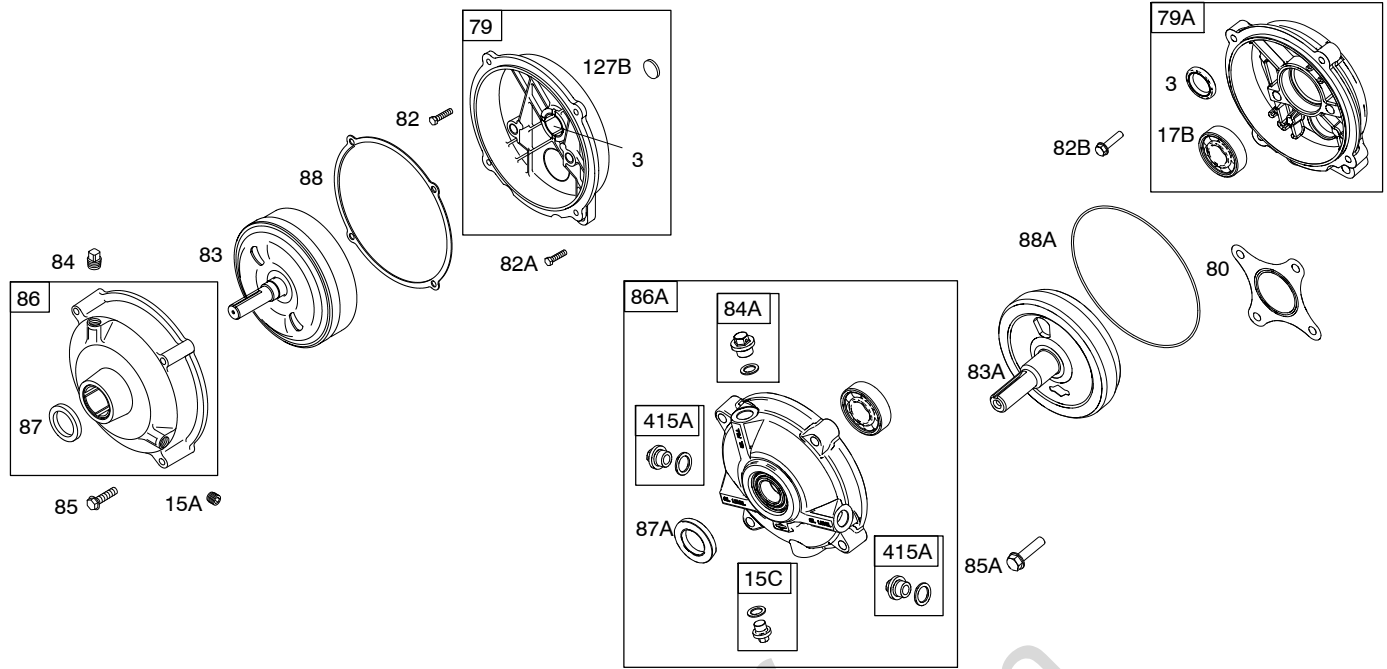




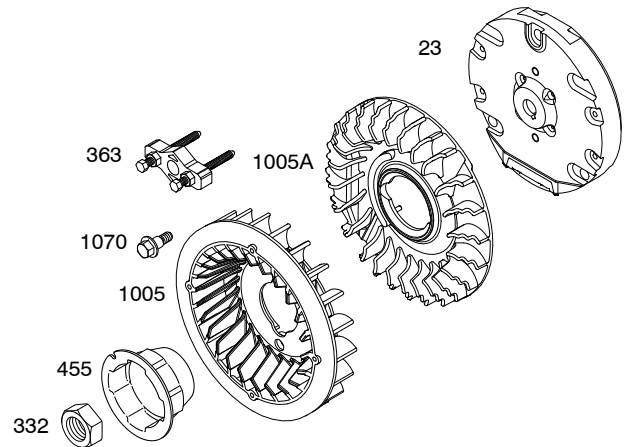
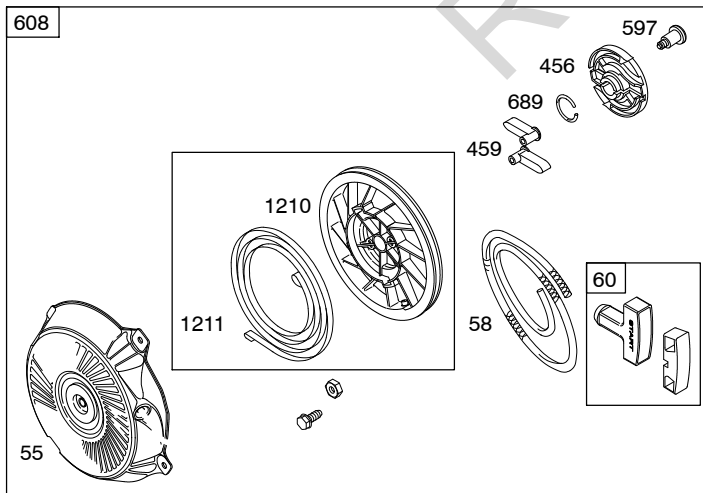
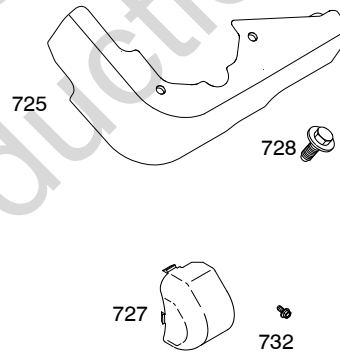
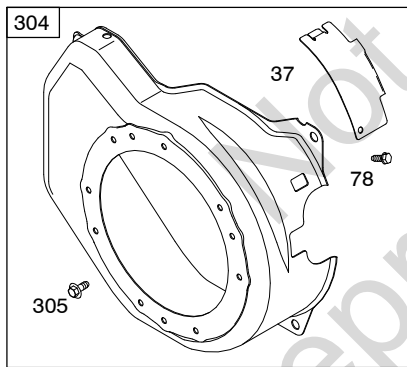
Illustrations cover a range of engines. Parts shown without corresponding text may not be used on your specific engine.  
 5640-5 Assemblies include all parts shown in frames. 02/01/2010



**Illustrations cover a range of engines. Parts shown without corresponding text may not be used on your specific engine.**  
**5640-6** Assemblies include all parts shown in frames. **02/01/2010**



1036 EMISSIONS LABEL



Illustrations cover a range of engines. Parts shown without corresponding text may not be used on your specific engine.  
 5640-7 Assemblies include all parts shown in frames. 02/01/2010

# 120300

REF. NO.	PART NO.	DESCRIPTION	REF. NO.	PART NO.	DESCRIPTION	REF. NO.	PART NO.	DESCRIPTION
1	699510	Cylinder Assembly	16	699445	Crankshaft	20	★692550	Seal-Oil (PTO Side)
2	399269	Kit-Bushing/Seal (Magneto Side)			----- Note -----	20A	★694171	Seal-Oil (PTO Side) Used on Type No(s). 0135, 0137.
3	★299819S	Seal-Oil (Magneto Side)			699443 Crankshaft Used on Type No(s). 0036, 0131, 0149, 0159, 0166, 0388.	21	281658S	Cap-Oil Fill
5	797439	Head-Cylinder (Metric) (Used After Code Date 09061700).			699447 Crankshaft Used on Type No(s). 0132, 0135, 0137, 0138, 0145.	22	699478	Screw (Crankcase Cover/ Sump)
		----- Note -----			699452 Crankshaft Used on Type No(s). 0158, 0321, 0414.	23	699488	Flywheel
		699486 Head-Cylinder (SAE) (Used Before Code Date 09061800).			699449 Crankshaft Used on Type No(s). 0242, 0299, 0327.			----- Note -----
7	★Ø698210	Gasket-Cylinder Head			699451 Crankshaft Used on Type No(s). 0150, 0337.	24	222698S	Key-Flywheel
11	692600	Tube-Breather (Flat Panel Air Cleaner)			792883 Crankshaft (Used After Code Date 06051600). Used on Type No(s). 0147, 0161.	25	791968	Piston Assembly (Standard)
11A	693647	Tube-Breather (High Mount Air Cleaner)			699444 Crankshaft (Used Before Code Date 06051700). Used on Type No(s). 0147.			----- Note -----
11B	790632	Tube-Breather (Ultra Low Air Cleaner)			699804 Cover-Crankcase (Used After Code Date 07070200). Used on Type No(s). 0137.			791326 Piston Assembly (.020" Oversize)
12	★699485	Gasket-Crankcase				26	791969	Ring Set (Standard) (Used After Code Date 05060600).
13	699482	Screw (Cylinder Head)						----- Note -----
15	691686	Plug-Oil Drain (Square Head)	17	692517	Bearing-Ball			499631 Ring Set (Standard) (Used Before Code Date 05060700).
15A	691682	Plug-Oil Drain (Flush)	17B	99158	Bearing-Ball			791324 Ring Set (.020" Oversize) (Used After Code Date 05060600).
15C	792750	Plug-Oil Drain	18	699804	Cover-Crankcase			692786 Ring Set (.020" Oversize) (Used Before Code Date 05060700).
					----- Note -----			
					699696 Cover-Crankcase Used on Type No(s). 0213, 0299, 0300, 0335, 0432, 0433, 0769, 0781, 3781.			
					699804 Cover-Crankcase (Used After Code Date 07070200). Used on Type No(s). 0137.			
			18A	699672	Cover-Crankcase Used on Type No(s). 0036, 0131, 0149, 0159, 0166, 0388.			
			18B	699761	Cover-Crankcase (Used Before Code Date 07070300). Used on Type No(s). 0137.			

★ Included in Engine Gasket Set-Ref. No.358.

● Included in Carburetor Overhaul Kit-Ref. No. 121.

◆ Included in Carburetor Gasket Set-Ref. No. 977.

Ø Included in Valve Gasket Set-Ref. No 1095.

**Illustrations cover a range of engines. Parts shown without corresponding text may not be used on your specific engine.**

5640-8

Assemblies include all parts shown in frames.

02/01/2010

REF. NO.	PART NO.	DESCRIPTION	REF. NO.	PART NO.	DESCRIPTION	REF. NO.	PART NO.	DESCRIPTION
27	691866	Lock-Piston Pin	58	693389	Rope-Starter (Used After Code Date 08030200).	83	690374	Shaft-Auxiliary Drive (Used Before Code Date 06051700).
28	499423	Pin-Piston				83A	792756	Shaft-Auxiliary Drive (Used After Code Date 06051600).
29	690124	Rod-Connecting				84	691121	Plug-Breather
30	791584	Dipper-Connecting Rod				84A	792759	Plug-Breather
32	691664	Screw (Connecting Rod)				85	692551	Screw (Gear Cover to Gear Reduction) (Used Before Code Date 06051700).
32A	695759	Screw (Connecting Rod)				85A	690711	Screw (Gear Cover to Gear Reduction) (Used After Code Date 06051600).
33	499642	Valve-Exhaust				86	690608	Cover-Gear (Used Before Code Date 06051700).
34	499641	Valve-Intake				86A	795647	Cover-Gear (Used After Code Date 08010100).
35	691304	Spring-Valve (Intake)						----- Note ----- 792748 Cover-Gear (Used After Code Date 06051600 and Before Code Date 08010200).
36	691304	Spring-Valve (Exhaust)				87	691582	Seal-Gear Reduction (Used Before Code Date 06051700).
37	699661	Guard-Flywheel				87A	792752	Seal-Gear Reduction (Used After Code Date 06051600).
40	692194	Retainer-Valve				88	691600	Gasket-Gear Reduction Cover
45	690977	Tappet-Valve				88A	792760	Gasket-Gear Reduction Cover
46	693404	Camshaft				95	691636	Screw (Throttle Valve)
51★◆◇692555		Gasket-Intake	60	490652	Grip-Starter Rope (2 Piece)			
55	791848	Housing-Rewind Starter (Used After Code Date 08030200).	78	699205	Screw (Flywheel Guard)			
		----- Note ----- 691422 Housing-Rewind Starter (Used Before Code Date 08030300). (Rewind Starter Parts Used With 3MM Diameter Starter Rope)	79	694511	Case-Gear Reduction (Used Before Code Date 06051700).			
		791848 Housing-Rewind Starter (Used Before Code Date 08030300). (Rewind Starter Parts Used With 5MM Diameter Starter Rope)	79A	792746	Case-Gear Reduction (Used After Code Date 06051600).			
			80	792755	Gasket-Gear Case			
			82	690369	Screw (Gear Reduction Case) (Used Before Code Date 06051700).			
			82A	790197	Screw (Gear Reduction Case) (Used Before Code Date 06051700).			
			82B	792753	Screw (Gear Reduction Case) (Used After Code Date 06051600).			

★ Included in Engine Gasket Set-Ref. No.358.

● Included in Carburetor Overhaul Kit-Ref. No. 121.

◆ Included in Carburetor Gasket Set-Ref. No. 977.

◇ Included in Valve Gasket Set-Ref. No 1095.

**Illustrations cover a range of engines. Parts shown without corresponding text may not be used on your specific engine.**

# 120300

REF. NO.	PART NO.	DESCRIPTION	REF. NO.	PART NO.	DESCRIPTION	REF. NO.	PART NO.	DESCRIPTION
97	690024	Shaft-Throttle	125	698474	Carburetor	186	692317	Connector-Hose
98	398185	Kit-Idle Speed (Carburetor)			----- Note -----	187	791766	Line-Fuel (Cut to Required Length)
104	●691242	Pin-Float Hinge			698475 Carburetor Used on Type No(s). 0147, 0158, 0161, 0213, 0335.	187A	791867	Line-Fuel (Molded)
108	692567	Valve-Choke			791991 Carburetor Used on Type No(s). 0132, 0135, 0137, 0138, 0145.	187B	791874	Line-Fuel (Molded)
109	690023	Shaft-Choke				187C	791866	Line-Fuel (Molded)
109A	693628	Shaft-Choke				188	699479	Screw (Control Bracket)
109C	790624	Shaft-Choke	127	●691739	Plug-Welch	190	699220	Screw (Fuel Tank)
117	690048	Jet-Main (Standard)	127B	691585	Plug-Welch	192	797440	Adjuster-Rocker Arm (Metric) (Used After Code Date 09061700).
		----- Note -----	130	691181	Valve-Throttle			----- Note -----
		698344 Jet-Main (Standard) Used on Type No(s). 0147, 0158, 0161, 0213, 0335.	130A	691203	Valve-Throttle Used on Type No(s). 0132, 0135, 0137, 0138, 0145.			694543 Adjuster- Rocker Arm (SAE) (Used Before Code Date 09061800).
		691428 Jet-Main (Standard) Used on Type No(s). 0132, 0135, 0137, 0138, 0145.	133	398187	Float-Carburetor	209	692571	Spring-Governor ----- Note -----
			134	●398188	Kit-Needle/Seat			693206 Spring- Governor Used on Type No(s). 0121, 0132, 0133, 0135, 0137, 0138, 0141, 0145, 0336.
			137	●693981	Gasket-Float Bowl	209A	691278	Spring-Governor
			146	690979	Key-Timing	219	693578	Gear-Governor
			155	797442	Plate-Cylinder Head (Metric) (Used After Code Date 09061700).	220	691724	Washer (Governor Gear)
118	498976	Jet-Main (High Altitude)			----- Note -----			
		----- Note -----			698214 Plate-Cylinder Head (SAE) (Used Before Code Date 09061800).			
		694176 Jet-Main (High Altitude) Used on Type No(s). 0147, 0158, 0161, 0213, 0335.	161	699207	Base-Air Cleaner (Flat Panel Air Cleaner)			
		695042 Jet-Main (High Altitude) Used on Type No(s). 0132, 0135, 0137, 0138, 0145.	161A	790631	Base-Air Cleaner (Ultra Low Air Cleaner)			
121	792006	Kit-Carburetor Overhaul	163	●696024	Gasket-Air Cleaner (Flat Panel Air Cleaner)			
122	★●795643	Spacer-Carburetor	163A	●792870	Gasket-Air Cleaner (High Mount)			

★ Included in Engine Gasket Set-Ref. No.358.

● Included in Carburetor Overhaul Kit-Ref. No. 121.

◆ Included in Carburetor Gasket Set-Ref. No. 977.

⊘ Included in Valve Gasket Set-Ref. No 1095.

**Illustrations cover a range of engines. Parts shown without corresponding text may not be used on your specific engine.**

REF. NO.	PART NO.	DESCRIPTION	REF. NO.	PART NO.	DESCRIPTION	REF. NO.	PART NO.	DESCRIPTION
222	699589	Bracket-Control (Used Before Code Date 06051500).	267	699492	Screw (Casing Clamp)	346	699203	Screw (Spark Arrestor) (Metric)
222A	699591	Bracket-Control (Used Before Code Date 06051500). Used on Type No(s). 0143, 0146.	268	691025	Casing-Control Wire (Cut to Required Length)			----- Note ----- 690661 Screw (Spark Arrestor) (SAE)
222C	699493	Bracket-Control (Used Before Code Date 06051500). Used on Type No(s). 0132, 0145. ----- Note ----- 699590 Bracket-Control (Used Before Code Date 06051500). Used on Type No(s). 0135, 0137, 0138.	269	691026	Wire-Control (Cut to Required Length)	347	697854	Switch-Rocker ----- Note ----- 698338 Switch-Rocker Used on Type No(s). 0132, 0135, 0137, 0138.
222D	793107	Bracket-Control (Used After Code Date 06051400).	270	691027	Nut (Control Wire Casing)	356	693651	Wire-Stop
222E	793108	Bracket-Control (Used After Code Date 06051400). Used on Type No(s). 0143, 0146, 0244.	271	691028	Lever-Control	356A	692390	Wire-Stop
222F	793100	Bracket-Control (Used After Code Date 06051400). Used on Type No(s). 0132, 0135, 0137, 0138, 0145.	271A	694256	Lever-Control	356B	692602	Wire-Stop
227	692573	Lever-Governor Control	271B	695743	Lever-Control	356C	695630	Wire-Stop
238	691300	Valve-Cap	276	271716	Washer-Sealing	358	791797	Gasket Set-Engine
240	694485	Filter-Fuel	281	793122	Panel-Control	363	19203	Puller-Flywheel
240A	394358S	Filter-Fuel	286	794185	Module-Oil Sensor	364	695693	Terminal-Oil Plug
265	691024	Clamp-Casing	287	699629	Screw (Dipstick Tube)	365	699484	Screw (Carburetor)
			300	693593	Muffler	383	19374S	Wrench-Spark Plug
			300A	699231	Muffler	415	693463	Plug
			300E	791595	Muffler	415A	792749	Plug
			304	699598	Housing-Blower	425	699208	Screw (Air Cleaner Cover)
			305	699481	Screw (Blower Housing)	425A	699492	Screw (Air Cleaner Cover)
			306	693610	Shield-Cylinder	427	798458	Nut (Control Bracket) (Metric)
			307	699483	Screw (Cylinder Shield)			----- Note ----- 694255 Nut (Control Bracket) (SAE)
			309	694504	Motor-Starter	445	491588S	Filter-Air Cleaner Cartridge (Flat Panel)
			310	690323	Screw (Starter Motor)	445A	697029	Filter-Air Cleaner Cartridge (High Mount)
			311	497608	Brush Set			
			332	792723	Nut (Flywheel)			
			333	695711	Armature-Magneto			
			334	699477	Screw (Magneto Armature)			
			337	491055S	Plug-Spark (Resistor)			
					----- Note ----- 691043 Plug-Spark (EMS)			

★ Included in Engine Gasket Set-Ref. No.358.

● Included in Carburetor Overhaul Kit-Ref. No. 121.

◆ Included in Carburetor Gasket Set-Ref. No. 977.

⊘ Included in Valve Gasket Set-Ref. No 1095.

*Illustrations cover a range of engines. Parts shown without corresponding text may not be used on your specific engine.*

# 120300

REF. NO.	PART NO.	DESCRIPTION	REF. NO.	PART NO.	DESCRIPTION	REF. NO.	PART NO.	DESCRIPTION
455	692591	Cup-Flywheel	564	699491	Screw (Control Cover)	615	692576	Retainer-Governor Shaft
456	692299	Plate-Pawl Friction	564A	699492	Screw (Control Cover)	616	692547	Crank-Governor
459	281505S	Pawl-Ratchet			----- Note -----	619	699481	Screw (Cylinder Head Plate)
467	691668	Knob-Air Cleaner			699206 Screw (Control Cover)	621	692310	Switch-Stop
474	694457	Alternator			Used on Type No(s). 0132, 0145.	632	693408	Spring/Link- Mechanical Governor
		----- Note -----				633	●693867	Seal-Choke/Throttle Shaft
		793640 Alternator Used on Type No(s). 0121.	578	692306	Wire Assembly	633A	●691321	Seal-Choke/Throttle Shaft
485	695755	Knob-Control	597	691696	Screw (Pawl Friction Plate)	635	692076	Boot-Spark Plug
504	694254	Washer Set-Friction	601	791850	Clamp-Hose	635A	692927	Boot-Spark Plug
485	695755	Knob-Control	604	697326	Cover-Control	652	699755	Screw (Support Bracket)
505	691251	Nut (Governor Control Lever)	608	795930	Starter-Rewind (Used After Code Date 08030200).	652A	699481	Screw (Support Bracket)
510	499308	Drive-Starter			----- Note -----	663	699206	Screw (Control Panel)
513	692024	Drive-Clutch			693394 Starter- Rewind (Used Before Code Date 08030300).	668	694257	Spacer
522	697689	Plug-Dipstick/Fill			(Rewind Starter Parts Used With 3MM Diameter Starter Rope)	675	691261	Washer (Brush Retainer)
523	693618	Dipstick			791670 Starter- Rewind (Used Before Code Date 08030300).	676	393757	Deflector-Muffler
		----- Note -----			(Rewind Starter Parts Used With 5MM Diameter Starter Rope)	677	699203	Screw (Muffler Deflector) (Metric)
		798469 Dipstick (Used After Code Date 10022100). Used on Type No(s). 0327.						----- Note -----
		790546 Dipstick (Used Before Code Date 10022200). Used on Type No(s). 0327.						690661 Screw (Muffler Deflector) (SAE)
524	281370S	Seal-Dipstick Tube	613	699209	Screw (Muffler)	689	691855	Spring-Friction
544	692966	Armature-Starter	613A	699481	Screw (Muffler)	692	690572	Spring-Detent
552	692346	Bushing-Governor Crank	613B	697812	Screw (Muffler)	697	793567	Screw (Starter Motor)
562	691119	Bolt (Governor Control Lever)				717	693462	Bracket-Air Cleaner
						718	690959	Pin-Locating
						725	792874	Shield-Heat
						727	698039	Cover-Starter Drive
						728	699632	Screw (Heat Shield)

★ Included in Engine Gasket Set-Ref. No.358.

● Included in Carburetor Overhaul Kit-Ref. No. 121.

◆ Included in Carburetor Gasket Set-Ref. No. 977.

⊘ Included in Valve Gasket Set-Ref. No 1095.

**Illustrations cover a range of engines. Parts shown without corresponding text may not be used on your specific engine.**

5640-12

Assemblies include all parts shown in frames.

02/01/2010

REF. NO.	PART NO.	DESCRIPTION	REF. NO.	PART NO.	DESCRIPTION	REF. NO.	PART NO.	DESCRIPTION		
732	699200	Screw (Starter Drive Cover)	836	699203	Screw (Muffler Guard)	914	699481	Screw (Rocker Cover) (Bottom)		
741	692565	Gear-Timing	836A	699632	Screw (Muffler Guard)	914A	797444	Screw (Rocker Cover) (Top)(Metric) (Used After Code Date 09061700).		
742	692564	Retainer-E Ring	836B	699209	Screw (Muffler Guard)			----- Note -----		
746	790278	Gear-Idler	836C	699234	Screw (Muffler Guard)			692557 Screw (Top)(SAE) (Used Before Code Date 09061800).		
773	694258	Retainer	836E	699755	Screw (Muffler Guard)			Date 09061800).		
783	692353	Gear-Pinion	842	691031	Seal-O Ring (Dipstick Tube)	914B	797444	Screw (Rocker Cover) (Center)(Metric) (Used After Code Date 09061700).		
792	694259	Bracket-Fixed Speed	847	693617	Dipstick/Tube Assembly			----- Note -----		
797	691029	Nut (Brush Retainer)			----- Note -----			798468 Dipstick/Tube Assembly (Used After Code Date 10022100).		
799	699202	Screw (Oil Sensor)			790545 Dipstick/Tube Assembly (Used Before Code Date 10022200).			697551 Screw (Rocker Cover) (Center)(SAE) (Used Before Code Date 09061800).		
801	694482	Cap-Drive			Used on Type No(s). 0327.	951	790630	Lever-Choke		
802	691286	Cap-End				957	792647	Cap-Fuel Tank (Fresh Start)		
803	693757	Housing-Starter						----- Note -----		
819	699233	Screw (Muffler Bracket)	851	493880S	Terminal-Spark Plug			795027 Cap-Fuel Tank (Text Free)		
823	699209	Screw (Muffler Adapter)	863	699229	Bracket-Muffler			958	698180	Valve-Fuel Shut Off
830	797441	Stud-Rocker Arm (Metric) (Used After Code Date 09061700).	864	699232	Adapter-Muffler			961	698304	Screw (Air Cleaner Bracket)
		----- Note -----	868	★692044	Seal-Valve			967	493537S	Filter-Pre Cleaner (Flat Panel)
		694544 Stud-Rocker Arm (SAE) (Used Before Code Date 09061800).	875	697030	Base-Air Cleaner (High Mount)			967A	273356S	Filter-Pre Cleaner (High Mount)
832	693583	Guard-Muffler	883	★691893	Gasket-Exhaust			968	692584	Cover-Air Cleaner (Flat Panel Air Cleaner)
832A	697818	Guard-Muffler	883A	★692237	Gasket-Exhaust			968A	693460	Cover-Air Cleaner (High Mount)
832D	796240	Guard-Muffler (Used After Code Date 08062400).	890	790203	Bracket-Support			968B	791082	Cover-Air Cleaner (Ultra Low Air Cleaner)
		----- Note -----								
		791600 Guard- Muffler (Used Before Code Date 08062500).								

★ Included in Engine Gasket Set-Ref. No.358.

● Included in Carburetor Overhaul Kit-Ref. No. 121.

◆ Included in Carburetor Gasket Set-Ref. No. 977.

⊘ Included in Valve Gasket Set-Ref. No 1095.

**Illustrations cover a range of engines. Parts shown without corresponding text may not be used on your specific engine.**

# 120300

REF. NO.	PART NO.	DESCRIPTION	REF. NO.	PART NO.	DESCRIPTION	REF. NO.	PART NO.	DESCRIPTION
971	690370	Screw (Air Cleaner Base)	1210	791849	Pulley/Spring Assembly (Pulley) (Used After Code Date 08030200).	1305	691140	Screw (Oil Sensor Module)
971A	690349	Screw (Air Cleaner Base)						----- <b>Note</b> -----
971B	699629	Screw (Air Cleaner Base)						<b>699691</b> Screw (Oil Sensor Module) Used on Type No(s). 0159, 0166.
972	694260	Tank-Fuel						
975	493640	Bowl-Float				1319	794467	Label-Warning
977	792006	Gasket Set-Carburetor				1330	272147	Repair Manual
993	Ø694088	Gasket-Cylinder Head Plate						
994	790153	Arrester-Spark						
994A	399541	Arrester-Spark						
1005	692592	Fan-Flywheel						
1005A	794273	Fan-Flywheel						
1019	694852	Kit-Label						
1022	★Ø691890	Gasket-Rocker Cover						
1023	499924	Cover-Rocker Arm						
1026	790287	Rod-Push						
1029	797443	Arm-Rocker (Metric) (Used After Code Date 09061700).						
		----- <b>Note</b> -----	1211	791849	Pulley/Spring Assembly (Spring) (Used After Code Date 08030200).			
		<b>691230</b> Arm-Rocker (SAE) (Used Before Code Date 09061800).						
1034	691343	Guide-Push Rod						
1036		Label-Emissions (Available From An Authorized Briggs & Stratton Sevice Dealer)						
1051	691265	Ring-Retaining						
1052	790141	Sensor-Oil						
1054	280275	Cable-Tie						
1058	277040	Operator's Manual						
1070	699201	Screw (Flywheel Fan)						
1090	691293	Retainer-Brush						
1095	791798	Gasket Set-Valve						
1119	699772	Screw (Alternator)						
1172	699230	Screw (Fixed Speed Bracket)						

★ Included in Engine Gasket Set-Ref. No.358.

● Included in Carburetor Overhaul Kit-Ref. No. 121.

◆ Included in Carburetor Gasket Set-Ref. No. 977.

Ø Included in Valve Gasket Set-Ref. No. 1095.

**Illustrations cover a range of engines. Parts shown without corresponding text may not be used on your specific engine.**

5640-14

Assemblies include all parts shown in frames.

02/01/2010

Not for  
Reproduction

Not for  
Reproduction

