



# Illustrated Parts List

## Model Series

# 121000

TYPE NUMBERS  
0101 through 1383.

### TABLE OF CONTENTS

Air Cleaner .....	6
Blower Housing .....	7
Camshaft .....	2
Carburetor .....	4
Controls .....	5
Crankcase Cover .....	2
Crankshaft .....	2
Cylinder .....	2
Cylinder Head .....	3
Electric Starter .....	7
Exhaust System .....	6
Flywheel .....	7
Fuel Supply .....	4
Gear Reduction .....	7
Governor Spring .....	5
Ignition .....	5
Kits/Gaskets - Carburetor .....	4
Kits/Gaskets - Engine .....	2
Kits/Gaskets - Valve .....	3
Lubrication .....	2
Piston Group .....	2
Rewind Starter .....	7



PRINTED IN U.S.A.

COPYRIGHT by BRIGGS & STRATTON CORPORATION  
All rights reserved. No part of this material may be reproduced or transmitted, in any form or by any means, electronic or mechanical, including photocopying, recording or by any information storage and retrieval system, without permission in writing from Briggs & Stratton Corporation.

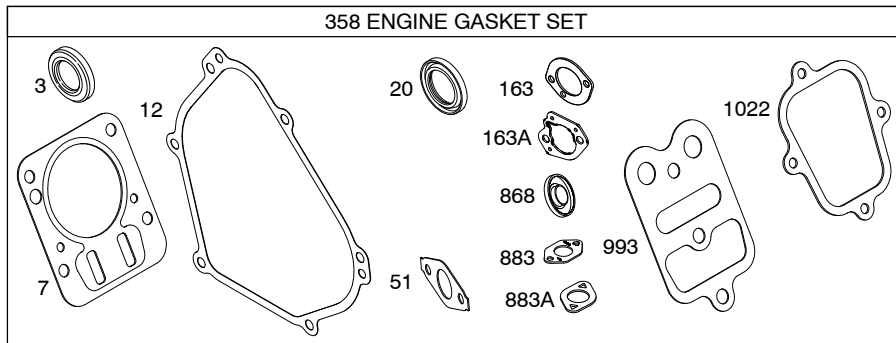
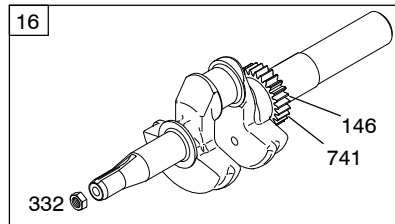
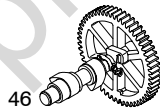
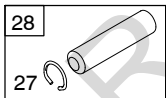
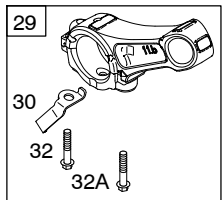
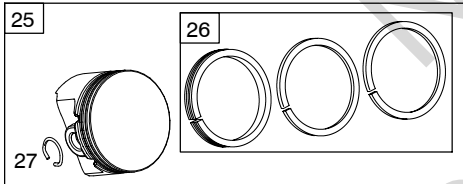
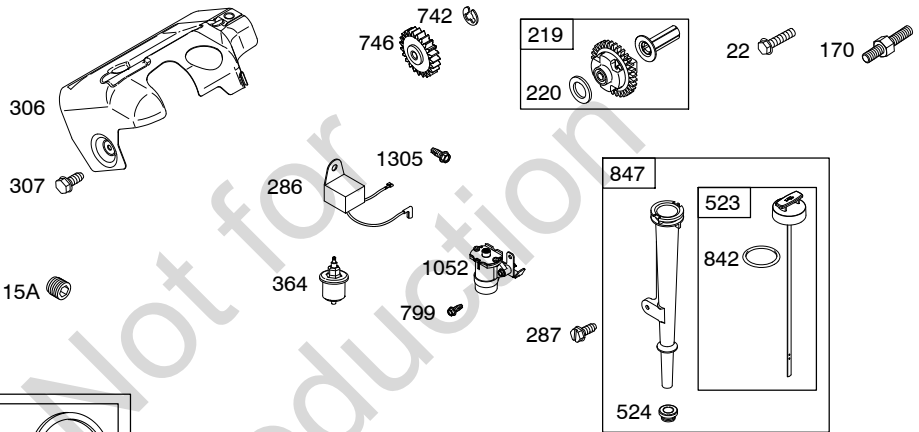
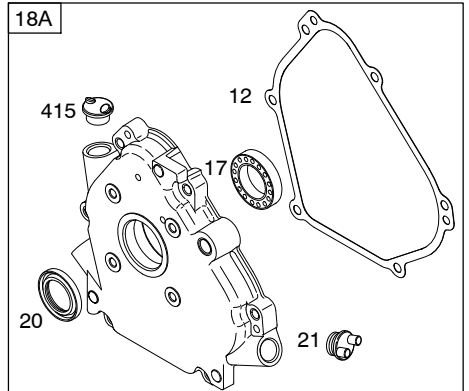
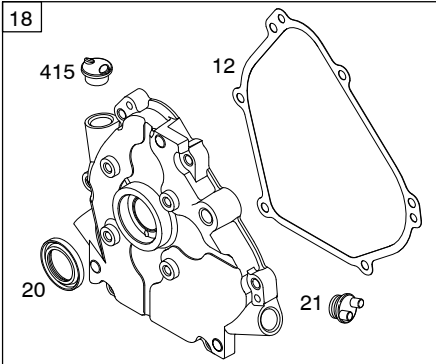
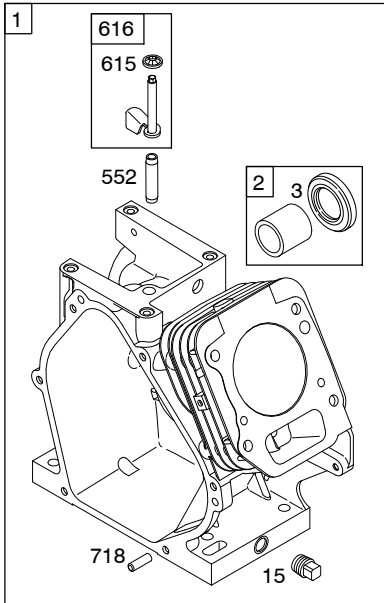
1319 WARNING LABEL

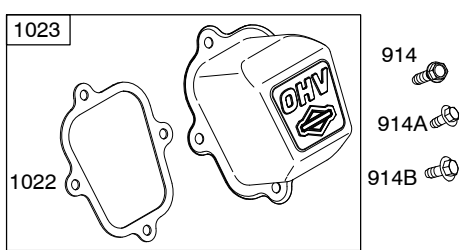
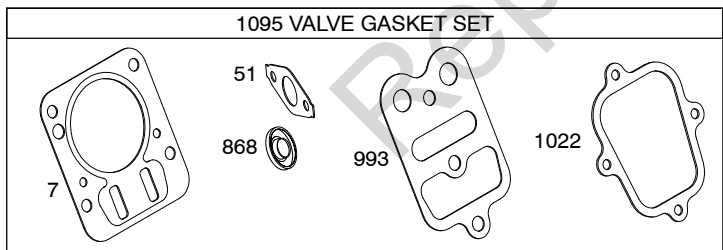
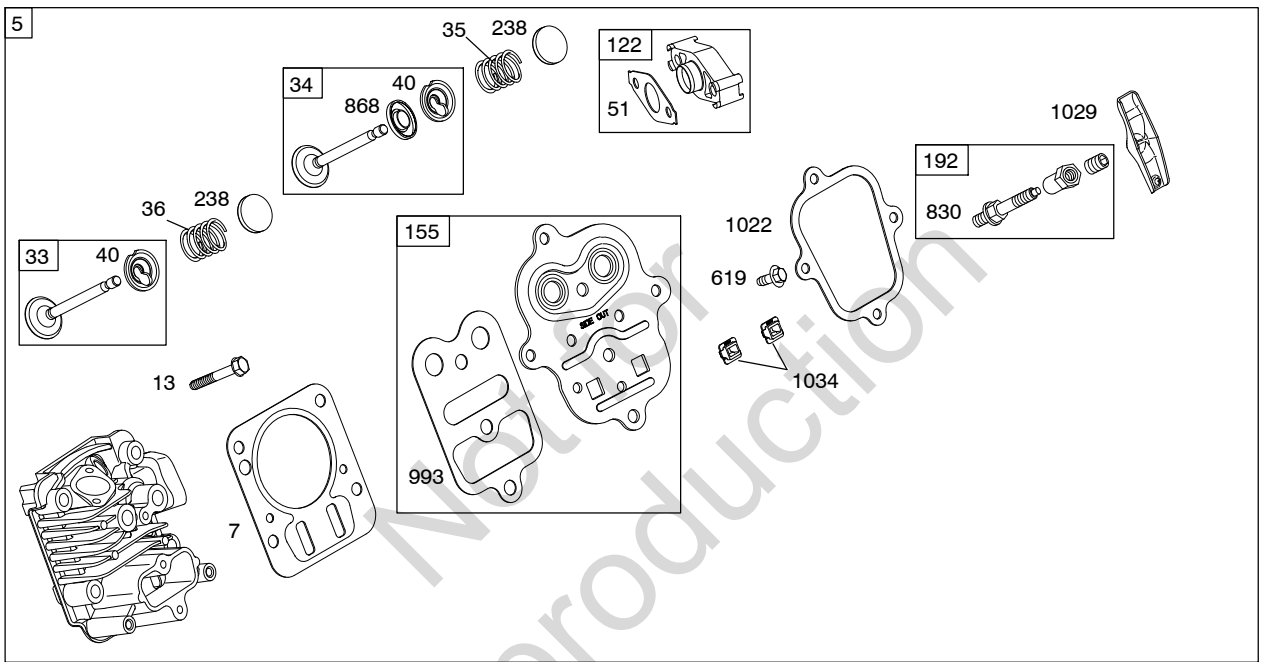
**REQUIRED** when replacing parts with warning labels affixed.

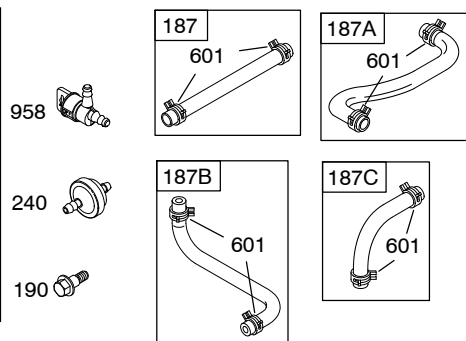
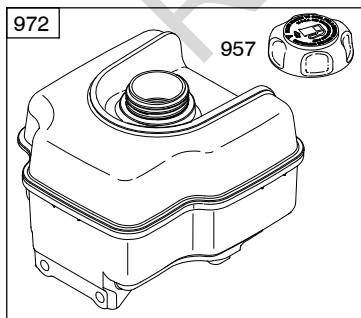
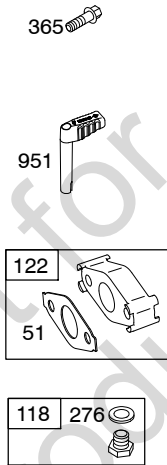
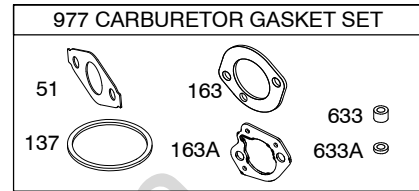
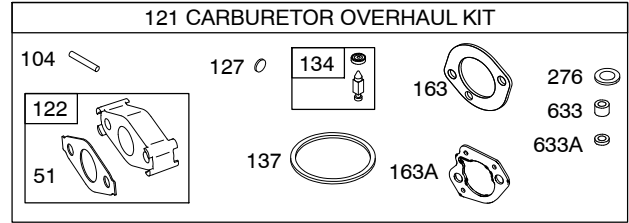
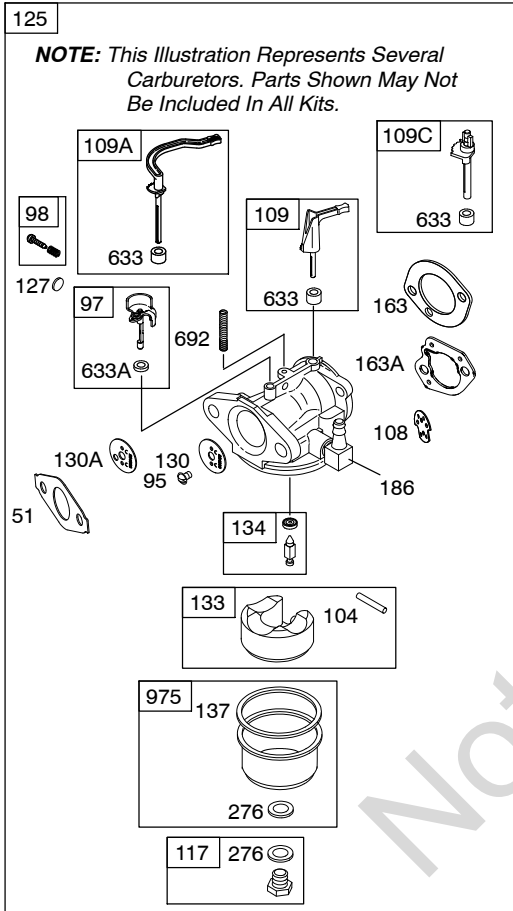
1058 OPERATOR'S MANUAL

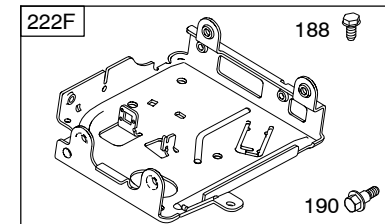
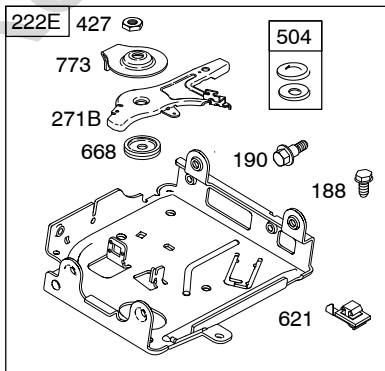
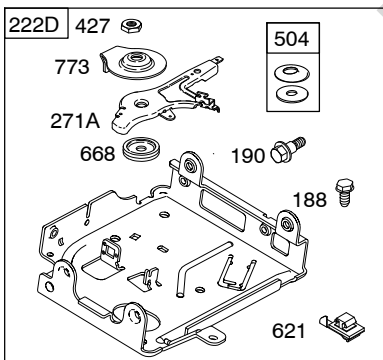
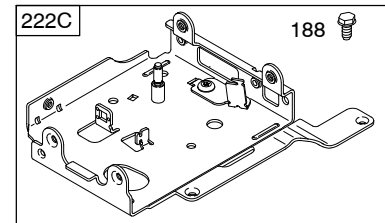
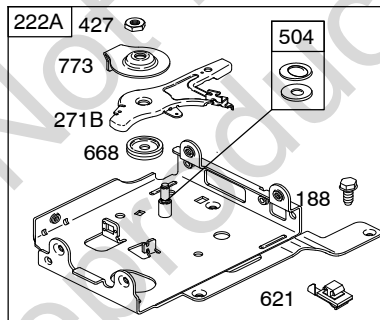
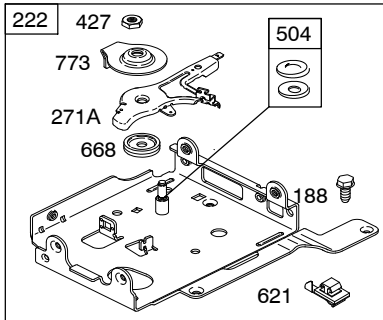
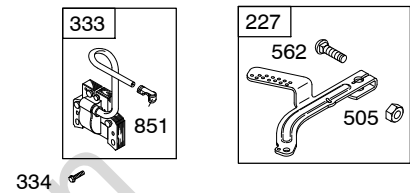
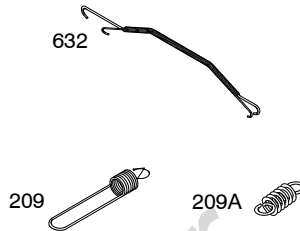
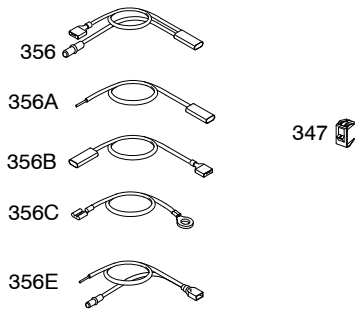
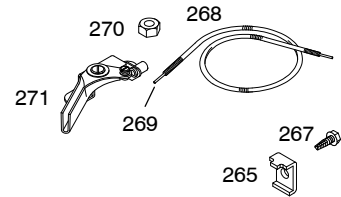
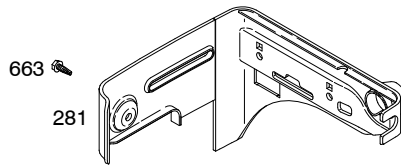
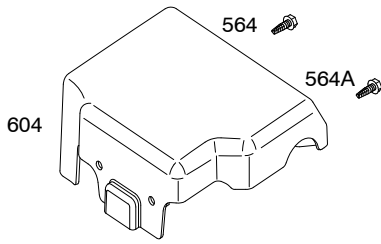
1330 REPAIR MANUAL

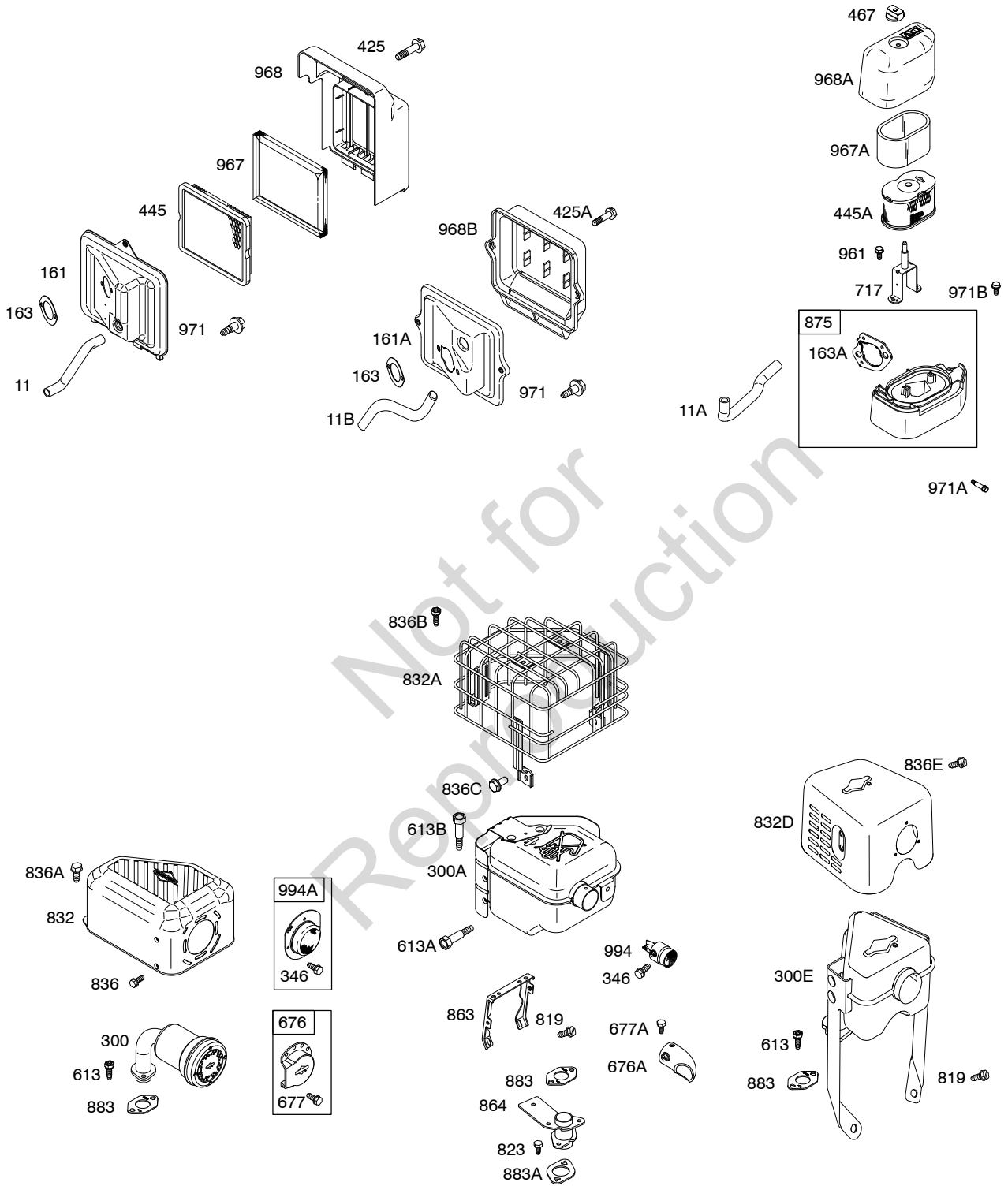
1019 LABEL KIT



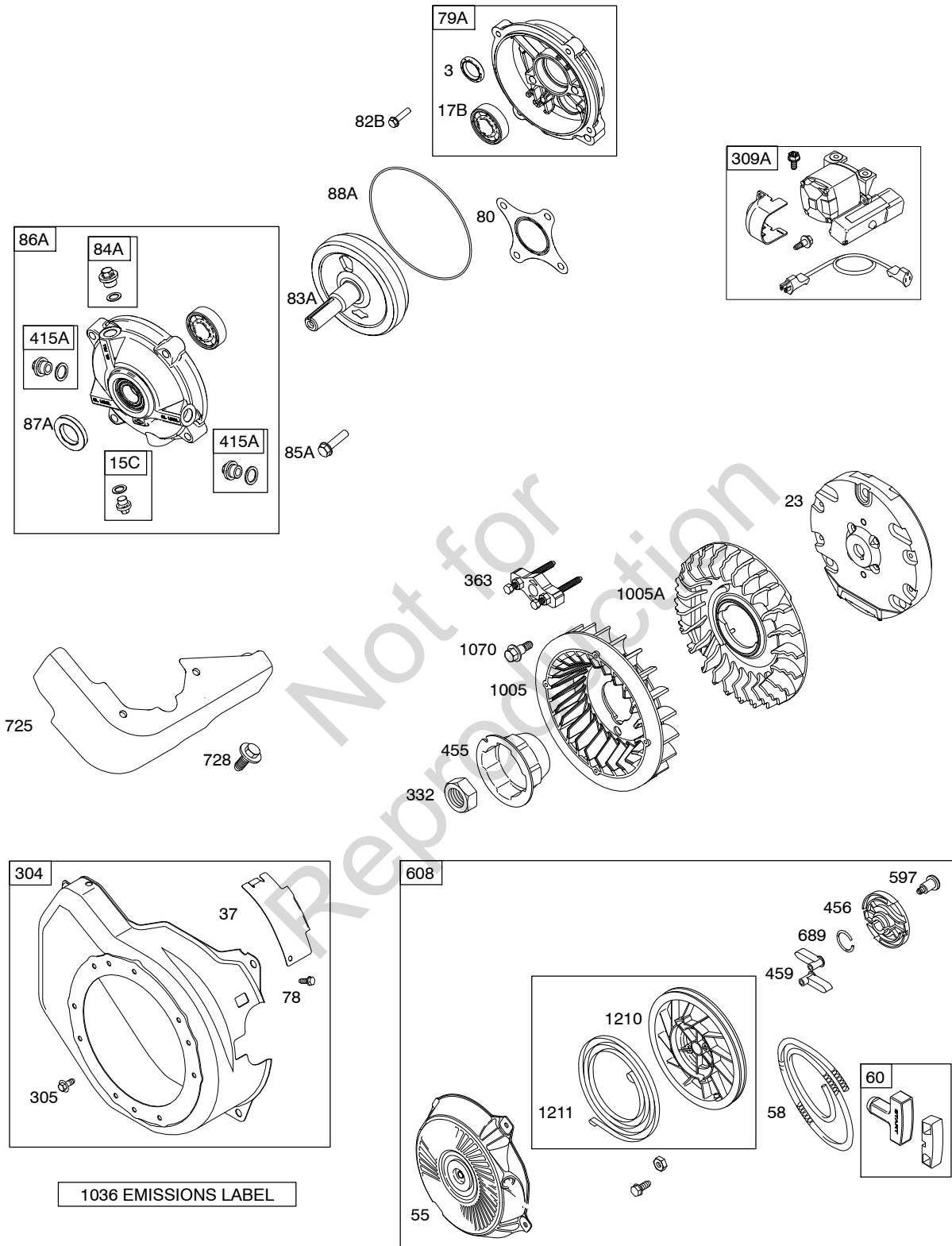








Illustrations cover a range of engines. Parts shown without corresponding text may not be used on your specific engine.  
 3247-6 Assemblies include all parts shown in frames. 02/01/2010



**Illustrations cover a range of engines. Parts shown without corresponding text may not be used on your specific engine.**  
**3247-7** Assemblies include all parts shown in frames. **02/01/2010**

# 121000

REF. NO.	PART NO.	DESCRIPTION	REF. NO.	PART NO.	DESCRIPTION	REF. NO.	PART NO.	DESCRIPTION		
1	699510	Cylinder Assembly	16	699445	Crankshaft	20	★692550	Seal-Oil (PTO Side)		
2	399269	Kit-Bushing/Seal (Magneto Side)			Used on Type No(s). 0101, 0112, 0122, 0123, 0125, 0131, 0133, 0134, 0140, 0141, 0193, 0194, 0220, 1380, 1383, 1412, 1423.	21	281658S	Cap-Oil Fill		
3	★299819S	Seal-Oil (Magneto Side)			----- Note -----	22	699478	Screw (Crankcase Cover/Sump)		
5	797439	Head-Cylinder (Metric) (Used After Code Date 09061700).			----- Note -----	23	699488	Flywheel		
		----- Note -----			699451 Crankshaft Used on Type No(s). 0111.			----- Note -----		
		699486 Head-Cylinder (SAE) (Used Before Code Date 09061800).			699447 Crankshaft Used on Type No(s). 0114, 0116, 0126, 0127, 0135.			699516 Flywheel Used on Type No(s). 1412.		
7	★Ø698210	Gasket-Cylinder Head			699443 Crankshaft Used on Type No(s). 0118, 0130.	24	222698S	Key-Flywheel		
11	692600	Tube-Breather (Flat Panel Air Cleaner)			792883 Crankshaft Used on Type No(s). 0132.	25	791968	Piston Assembly (Standard)		
11A	693647	Tube-Breather (High Mount Air Cleaner)			797076 Crankshaft Used on Type No(s). 0139.			----- Note -----		
11B	790632	Tube-Breather (Ultra Low Air Cleaner)			797071 Crankshaft Used on Type No(s). 0221.			791326 Piston Assembly (.020" Oversize)		
12	★699485	Gasket-Crankcase			797075 Crankshaft Used on Type No(s). 0136, 0137, 0139, 0224.	26	791969	Ring Set (Standard) (Used After Code Date 05060600).		
13	699482	Screw (Cylinder Head)			797072 Crankshaft Used on Type No(s). 0120.			----- Note -----		
15	691686	Plug-Oil Drain (Square Head)			797078 Crankshaft Used on Type No(s). 0119.			499631 Ring Set (Standard) (Used Before Code Date 05060700).		
15A	691682	Plug-Oil Drain (Flush)			17	692517	Bearing-Ball	791324 Ring Set (.020" Oversize) (Used After Code Date 05060600).		
15C	792750	Plug-Oil Drain			17B	99158	Bearing-Ball	692786 Ring Set (.020" Oversize) (Used Before Code Date 05060700).		
					18	699804	Cover-Crankcase			
							----- Note -----			
							699696 Cover-Crankcase Used on Type No(s). 0137, 0194, 1380, 1383, 1412, 1423.			
					18A	699672	Cover-Crankcase			
								27	691866	Lock-Piston Pin
								28	499423	Pin-Piston
								29	690124	Rod-Connecting
								30	791584	Dipper-Connecting Rod
								32	691664	Screw (Connecting Rod)
								32A	695759	Screw (Connecting Rod)
								33	499642	Valve-Exhaust
								34	499641	Valve-Intake
								35	691304	Spring-Valve (Intake)

★ Included in Engine Gasket Set-Ref. No.358.

● Included in Carburetor Overhaul Kit-Ref. No. 121.

◆ Included in Carburetor Gasket Set-Ref. No. 977.

Ø Included in Valve Gasket Set-Ref. No 1095.

**Illustrations cover a range of engines. Parts shown without corresponding text may not be used on your specific engine.**

REF. NO.	PART NO.	DESCRIPTION	REF. NO.	PART NO.	DESCRIPTION	REF. NO.	PART NO.	DESCRIPTION
36	691304	Spring-Valve (Exhaust)	60	490652	Grip-Starter Rope	118	498976	Jet-Main (High Altitude)
37	699661	Guard-Flywheel	78	699205	Screw (Flywheel Guard)			----- Note -----
40	692194	Retainer-Valve	79A	792746	Case-Gear Reduction			695042 Jet-Main (High Altitude)
45	690977	Tappet-Valve	80	792755	Gasket-Gear Case			Used on Type No(s). 0114, 0116, 0126, 0127, 0135.
46	693404	Camshaft	82B	792753	Screw (Gear Reduction Case)			694176 Jet-Main (High Altitude)
51★●∅	692555	Gasket-Intake	83A	792756	Shaft-Auxiliary Drive			Used on Type No(s). 0221.
55	791848	Housing-Rewind Starter (Used After Code Date 08030200).	84A	792759	Plug-Breather			497466 Jet-Main (High Altitude)
		----- Note -----	85A	690711	Screw (Gear Cover to Gear Reduction)			Used on Type No(s). 0132, 0194.
		691422 Housing-Rewind Starter (Used Before Code Date 08030300).	86A	795647	Cover-Gear	121	792006	Kit-Carburetor Overhaul
		(Rewind Starter Parts Used With 3MM Diameter Starter Rope)	87A	792752	Seal-Gear Reduction			122 ★●795643 Spacer-Carburetor
		791848 Housing-Rewind Starter (Used Before Code Date 08030300).	88A	792760	Gasket-Gear Reduction Cover			125 698474 Carburetor
		(Rewind Starter Parts Used With 5MM Diameter Starter Rope)	95	691636	Screw (Throttle Valve)			----- Note -----
			97	690024	Shaft-Throttle			791991 Carburetor (Used on Type No(s). 0114, 0116, 0126, 0127, 0135.)
			98	398185	Kit-Idle Speed (Carburetor)			698475 Carburetor (Used on Type No(s). 0132, 0194.)
			104	●691242	Pin-Float Hinge			698860 Carburetor (Used on Type No(s). 0221.)
			108	692567	Valve-Choke	127	●691739	Plug-Welch
			109	690023	Shaft-Choke	130	691181	Valve-Throttle
			109A	693628	Shaft-Choke	130A	691203	Valve-Throttle (Used on Type No(s). 0114, 0116, 0126, 0127, 0135, 0221.)
			109C	790624	Shaft-Choke			133 398187 Float-Carburetor
			117	690048	Jet-Main (Standard)			134 ●398188 Kit-Needle/Seat
					----- Note -----			137 ●●693981 Gasket-Float Bowl
					691428 Jet-Main (Standard)			146 690979 Key-Timing
					Used on Type No(s). 0114, 0116, 0126, 0127, 0135.			
					698344 Jet-Main (Standard)			
					Used on Type No(s). 0132, 0194.			
					498975 Jet-Main (Standard)			
					Used on Type No(s). 0221.			

★ Included in Engine Gasket Set-Ref. No.358.

● Included in Carburetor Overhaul Kit-Ref. No. 121.

◆ Included in Carburetor Gasket Set-Ref. No. 977.

∅ Included in Valve Gasket Set-Ref. No 1095.

Illustrations cover a range of engines. Parts shown without corresponding text may not be used on your specific engine.

# 121000

REF. NO.	PART NO.	DESCRIPTION	REF. NO.	PART NO.	DESCRIPTION	REF. NO.	PART NO.	DESCRIPTION
155	797442	Plate-Cylinder Head (Metric) (Used After Code Date 09061700). ----- Note ----- 698214 Plate-Cylinder Head (SAE) (Used Before Code Date 09061800).	209	692571	Spring-Governor ----- Note ----- 693206 Spring-Governor Used on Type No(s). 0114, 0116, 0126, 0127, 0133, 0135, 0139.	227	692573	Lever-Governor Control
161	699207	Base-Air Cleaner (Flat Panel Air Cleaner)	209A	691278	Spring-Governor	238	691300	Valve-Cap
161A	790631	Base-Air Cleaner (Ultra Low Air Cleaner)	219	693578	Gear-Governor	240	394358S	Filter-Fuel
163★◆696024		Gasket-Air Cleaner (Flat Panel Air Cleaner)	220	691724	Washer (Governor Gear)	265	691024	Clamp-Casing
163A★◆792870		Gasket-Air Cleaner (High Mount)	222	699589	Bracket-Control (Used Before Code Date 06051500). Used on Type No(s). 0101, 0111.	267	699492	Screw (Casing Clamp)
170	699818	Stud (Crankcase Cover)	222A	699591	Bracket-Control (Used Before Code Date 06051500). Used on Type No(s). 0112, 0123.	268	691025	Casing-Control Wire (Cut to Required Length)
186	692317	Connector-Hose	222C	699493	Bracket-Control (Used Before Code Date 06051500). Used on Type No(s). 0114, 0116.	269	691026	Wire-Control (Cut to Required Length)
187	791766	Line-Fuel (Cut to Required Length)	222D	793107	Bracket-Control (Used After Code Date 06051400). Used on Type No(s). 0101, 0111, 0118, 0119, 0120, 0130, 0132, 0133, 0136, 0137, 0139, 0140, 0141, 0193, 0194, 0220, 0224, 0739, 1380, 1383, 1412, 1423.	270	691027	Nut (Control Wire Casing)
187A	791867	Line-Fuel (Molded)	222E	793108	Bracket-Control (Used After Code Date 06051400). Used on Type No(s). 0112, 0122, 0123, 0125, 0131, 0134.	271	691028	Lever-Control
187B	791874	Line-Fuel (Molded)	222F	793100	Bracket-Control (Used After Code Date 06051400). Used on Type No(s). 0114, 0116, 0126, 0127, 0135, 0221.	271A	694256	Lever-Control
187C	791866	Line-Fuel (Molded)				271B	695743	Lever-Control
188	699479	Screw (Control Bracket)				276	◆271716	Washer-Sealing
190	699220	Screw (Fuel Tank)				281	793122	Panel-Control
192	797440	Adjuster-Rocker Arm (Metric) (Used After Code Date 09061700). ----- Note ----- 694543 Adjuster-Rocker Arm (SAE) (Used Before Code Date 09061800).				286	794185	Module-Oil Sensor
						287	699629	Screw (Dipstick Tube)
						300	693593	Muffler
						300A	699231	Muffler
						300E	791595	Muffler
						304	699598	Housing-Blower
						305	699481	Screw (Blower Housing)
						306	693610	Shield-Cylinder
						307	699483	Screw (Cylinder Shield)
						309A	796238	Motor-Starter
						332	792723	Nut (Flywheel)
						333	695711	Armature-Magneto
						334	699477S	Screw (Magneto Armature)
						337	491055S	Plug-Spark (Resistor)
								----- Note ----- 691043 Plug-Spark (EMS)
						346	699203	Screw (Spark Arrestor) (Metric) ----- Note ----- 690661 Screw (Spark Arrestor) (SAE)

★ Included in Engine Gasket Set-Ref. No.358.

● Included in Carburetor Overhaul Kit-Ref. No. 121.

◆ Included in Carburetor Gasket Set-Ref. No. 977.

⊘ Included in Valve Gasket Set-Ref. No 1095.

**Illustrations cover a range of engines. Parts shown without corresponding text may not be used on your specific engine.**

REF. NO.	PART NO.	DESCRIPTION	REF. NO.	PART NO.	DESCRIPTION	REF. NO.	PART NO.	DESCRIPTION
347	698338	Switch-Rocker ----- Note ----- 697854 Switch-Rocker Used on Type No(s). 0126, 0127, 0130, 0221.	562	691119	Bolt (Governor Control Lever)	633	◆693867	Seal-Choke/Throttle Shaft
356	693651	Wire-Stop	564	699491	Screw (Control Cover)	633A	◆691321	Seal-Choke/Throttle Shaft
356A	692390	Wire-Stop	564A	699206	Screw (Control Cover)	635	692076	Boot-Spark Plug
356B	692602	Wire-Stop	597	691696	Screw (Pawl Friction Plate)	663	699206	Screw (Control Panel)
356C	695630	Wire-Stop	601	791850	Clamp-Hose	668	694257	Spacer
356E	695814	Wire-Stop	604	697326	Cover-Control	676	393757	Deflector-Muffler
358	791797	Gasket Set-Engine	608	795930	Starter-Rewind (Used After Code Date 08030200). ----- Note ----- 693394 Starter- Rewind (Used Before Code Date 08030300). (Rewind Starter Parts Used With 3MM Diameter Starter Rope) 791670 Starter- Rewind (Used Before Code Date 08030300). (Rewind Starter Parts Used With 5MM Diameter Starter Rope)	676A	697816	Deflector-Muffler
363	19203	Puller-Flywheel				677	699203	Screw (Muffler Deflector) (Metric)
364	695693	Terminal-Oil Plug						----- Note ----- 690661 Screw (Muffler Deflector) (SAE)
365	699484	Screw (Carburetor)				677A	699776	Screw (Muffler Deflector)
383	19374S	Wrench-Spark Plug				689	691855	Spring-Friction
415	693463	Plug				692	690572	Spring-Detent
415A	792749	Plug				717	693462	Bracket-Air Cleaner
425	699208	Screw (Air Cleaner Cover)				718	690959	Pin-Locating
425A	699492	Screw (Air Cleaner Cover)				725	792874	Shield-Heat
427	798458	Nut (Control Bracket) (Metric)				728	699632	Screw (Heat Shield)
		----- Note ----- 694255 Nut (Control Bracket) (SAE)				741	692565	Gear-Timing
445	491588S	Filter-Air Cleaner Cartridge				742	692564	Retainer-E Ring
445A	697029	Filter-Air Cleaner Cartridge (High Mount)	613	699209	Screw (Muffler)	746	790278	Gear-Idler
455	692591	Cup-Flywheel	613A	699481	Screw (Muffler)	773	694258	Retainer
456	692299	Plate-Pawl Friction	613B	697812	Screw (Muffler)	799	699202	Screw (Oil Sensor)
467	691668	Knob-Air Cleaner				819	699233	Screw (Muffler Bracket)
459	281505S	Pawl-Ratchet				823	699209	Screw (Muffler Adapter)
504	694254	Washer Set-Friction	615	692576	Retainer-Governor Shaft	830	797441	Stud-Rocker Arm (Metric) (Used After Code Date 09061700). ----- Note ----- 694544 Stud-Rocker Arm (SAE) (Used Before Code Date 09061800).
505	691251	Nut (Governor Control Lever)	616	692547	Crank-Governor			
523	693618	Dipstick	619	699481	Screw (Cylinder Head Plate)			
524	281370S	Seal-Dipstick Tube	621	692310	Switch-Stop			
552	692346	Bushing-Governor Crank	632	693408	Spring/Link- Mechanical Governor			

★ Included in Engine Gasket Set-Ref. No.358.

● Included in Carburetor Overhaul Kit-Ref. No. 121.

◆ Included in Carburetor Gasket Set-Ref. No. 977.

⊘ Included in Valve Gasket Set-Ref. No 1095.

**Illustrations cover a range of engines. Parts shown without corresponding text may not be used on your specific engine.**

# 121000

REF. NO.	PART NO.	DESCRIPTION	REF. NO.	PART NO.	DESCRIPTION	REF. NO.	PART NO.	DESCRIPTION
832	693583	Guard-Muffler	914	699481	Screw (Rocker Cover (Bottom)	968	692584	Cover-Air Cleaner (Flat Panel Air Cleaner)
832A	697818	Guard-Muffler						
832D	796240	Guard-Muffler (Used After Code Date 08062400).	914A	797444	Screw (Rocker Cover) (Top)(Metric) (Used After Code Date 09061700).	968A	693460	Cover-Air Cleaner (High Mount)
		----- Note -----				968B	791082	Cover-Air Cleaner (Ultra Low Air Cleaner)
		791600 Guard-Muffler (Used Before Code Date 08062500).			----- Note -----	971	690370	Screw (Air Cleaner Base)
836	699203	Screw (Muffler Guard)			692557 Screw (Top)(SAE) (Used Before Code Date 09061800).	971A	690349	Screw (Air Cleaner Base)
836A	699632	Screw (Muffler Guard)	914B	797444	Screw (Rocker Cover) (Center)(Metric) (Used After Code Date 09061700).	971B	699629	Screw (Air Cleaner Base)
836B	699209	Screw (Muffler Guard)			----- Note -----	972	694260	Tank-Fuel
836C	699234	Screw (Muffler Guard)			697551 Screw (Rocker Cover) (Center)(SAE) (Used Before Code Date 09061800).	975	493640	Bowl-Float
836E	699755	Screw (Muffler Guard)			----- Note -----	977	792007	Gasket Set-Carburetor
842	691031	Seal-O Ring (Dipstick Tube)			697551 Screw (Rocker Cover) (Center)(SAE) (Used Before Code Date 09061800).	993	Ø694088	Gasket-Cylinder Head Plate
847	693617	Dipstick/Tube Assembly			697551 Screw (Rocker Cover) (Center)(SAE) (Used Before Code Date 09061800).	994	790153	Arrester-Spark
851	493880S	Terminal-Spark Plug	951	790630	Lever-Choke	994A	399541	Arrester-Spark
863	699229	Bracket-Muffler	957	792647	Cap-Fuel Tank (Fresh Start)	1005	692592	Fan-Flywheel
864	699232	Adapter-Muffler			----- Note -----	1005A	794273	Fan-Flywheel
868	★Ø692044	Seal-Valve			795027 Cap-Fuel Tank (Text Free)	1019	694852	Kit-Label
875	697030	Base-Air Cleaner (High Mount)			----- Note -----	1022	★Ø691890	Gasket-Rocker Cover
883	★691893	Gasket-Exhaust			795027 Cap-Fuel Tank (Text Free)	1023	499924	Cover-Rocker Arm
883A	★692237	Gasket-Exhaust	958	698180	Valve-Fuel Shut Off	1026	790287	Rod-Push
			961	698304	Screw (Air Cleaner Bracket)	1029	797443	Arm-Rocker (Metric) (Used After Code Date 09061700).
					----- Note -----			----- Note -----
			967	493537S	Filter-Pre Cleaner (Flat Panel)			691230 Arm-Rocker (SAE) (Used Before Code Date 09061800).
			967A	273356S	Filter-Pre Cleaner (High Mount)	1034	691343	Guide-Push Rod
						1036		Label-Emissions (Available From An Authorized Briggs & Stratton Sevice Dealer)

★ Included in Engine Gasket Set-Ref. No.358.

● Included in Carburetor Overhaul Kit-Ref. No. 121.

◆ Included in Carburetor Gasket Set-Ref. No. 977.

Ø Included in Valve Gasket Set-Ref. No 1095.

**Illustrations cover a range of engines. Parts shown without corresponding text may not be used on your specific engine.**



Not for  
Reproduction

Not for  
Reproduction

Not for  
Reproduction

