



Illustrated Parts List

Model Series

121300

TYPE NUMBERS
0014 through 0571.

TABLE OF CONTENTS

Air Cleaner	6
Blower Housing	7
Camshaft	2
Carburetor	4
Controls	5
Crankcase Cover	2
Crankshaft	2
Cylinder	2
Cylinder Head	3
Electric Starter	5
Exhaust System	6
Flywheel	7
Fuel Supply	4
Gear Reduction	6
Governor Spring	5
Ignition	5
Kits/Gaskets - Carburetor	4
Kits/Gaskets - Engine	2
Kits/Gaskets - Valve	3
Lubrication	2
Piston Group	2
Rewind Starter	7



PRINTED IN U.S.A.

COPYRIGHT by BRIGGS & STRATTON CORPORATION
All rights reserved. No part of this material may be reproduced or transmitted,
in any form or by any means, electronic or mechanical, including photocopying,
recording or by any information storage and retrieval system, without permission
in writing from Briggs & Stratton Corporation.

121300

1319 WARNING LABEL



REQUIRED when replacing parts with warning labels affixed.

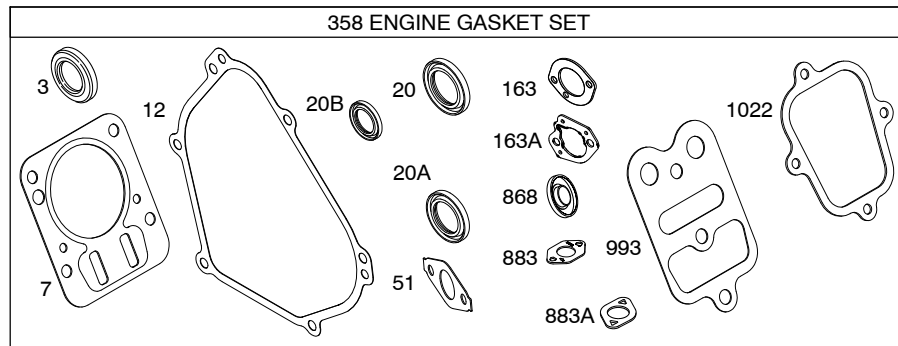
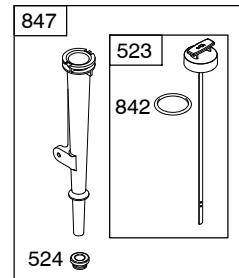
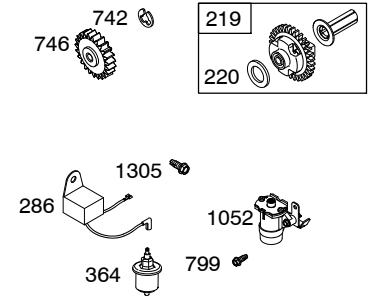
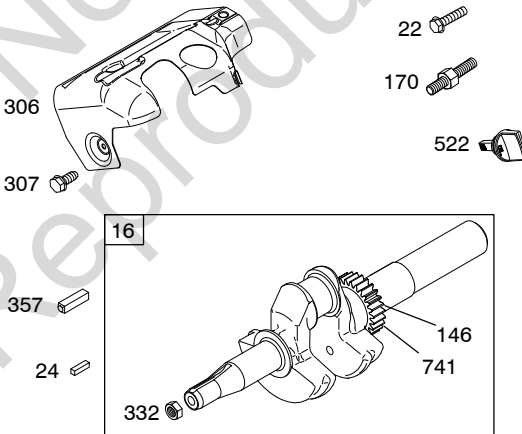
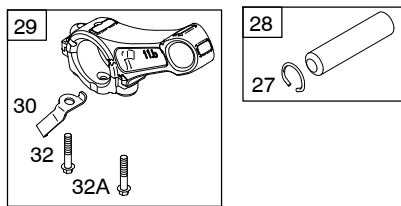
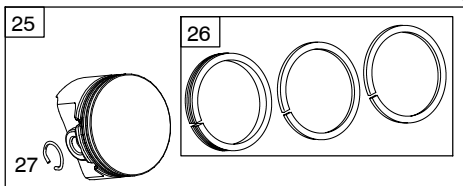
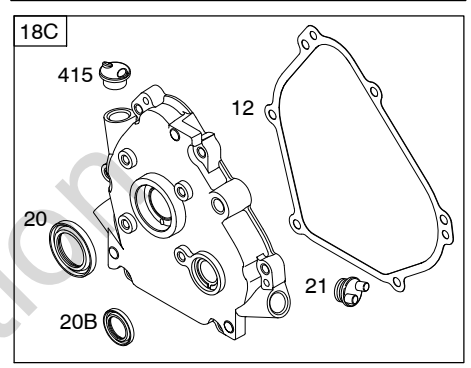
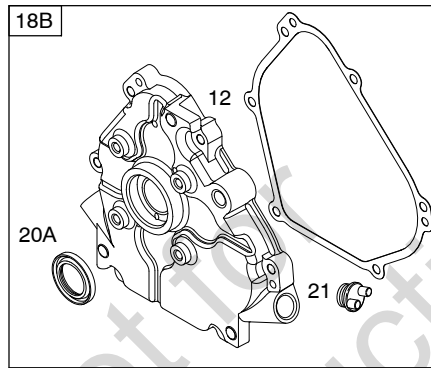
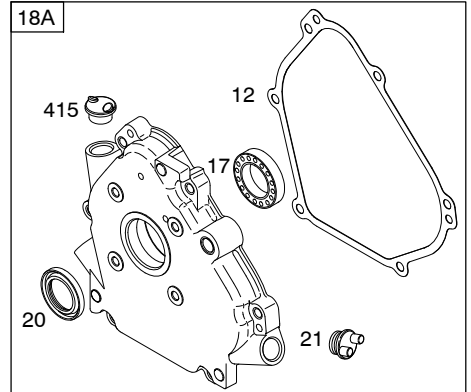
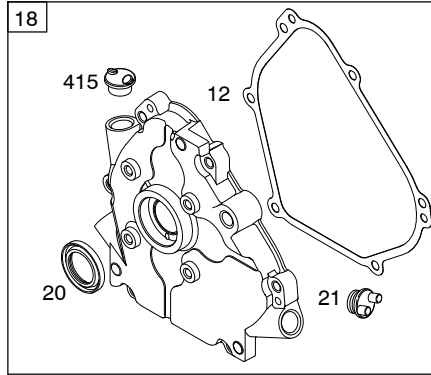
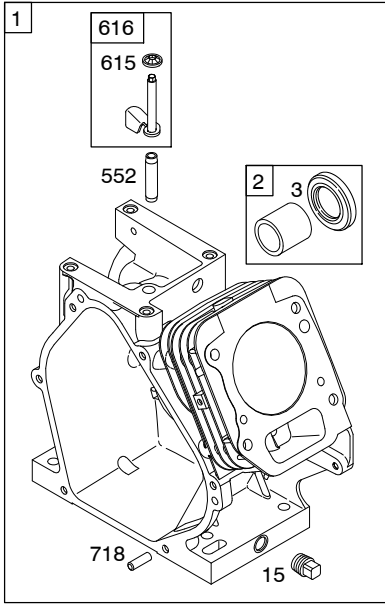
1058 OPERATOR'S MANUAL



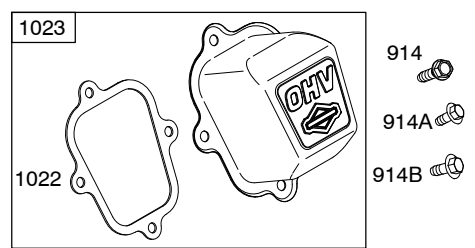
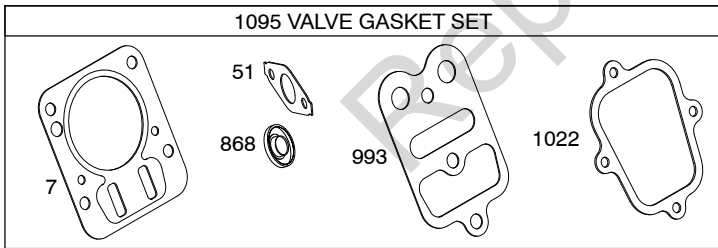
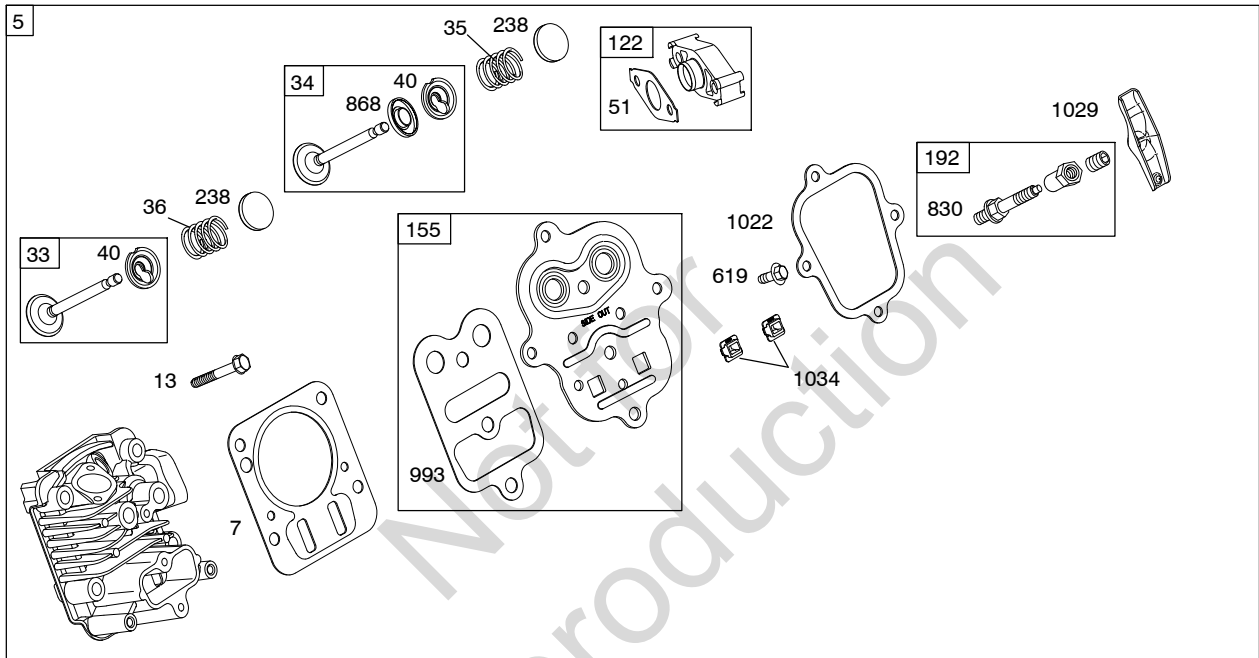
1330 REPAIR MANUAL

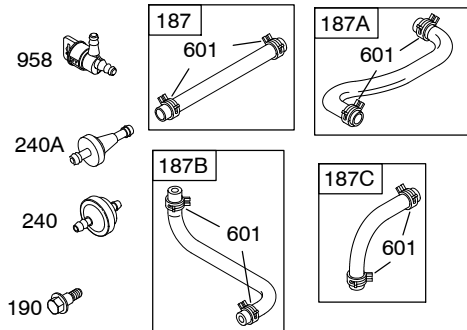
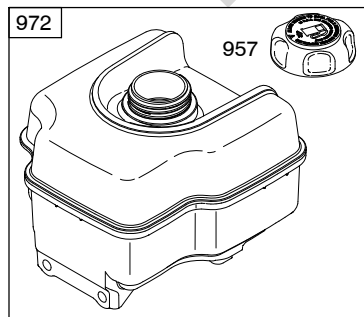
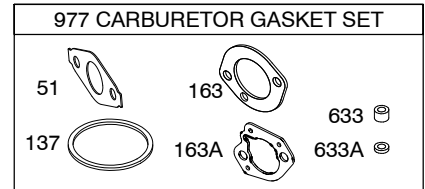
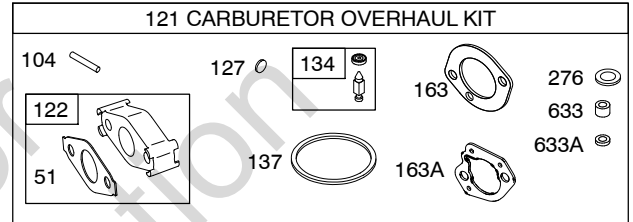
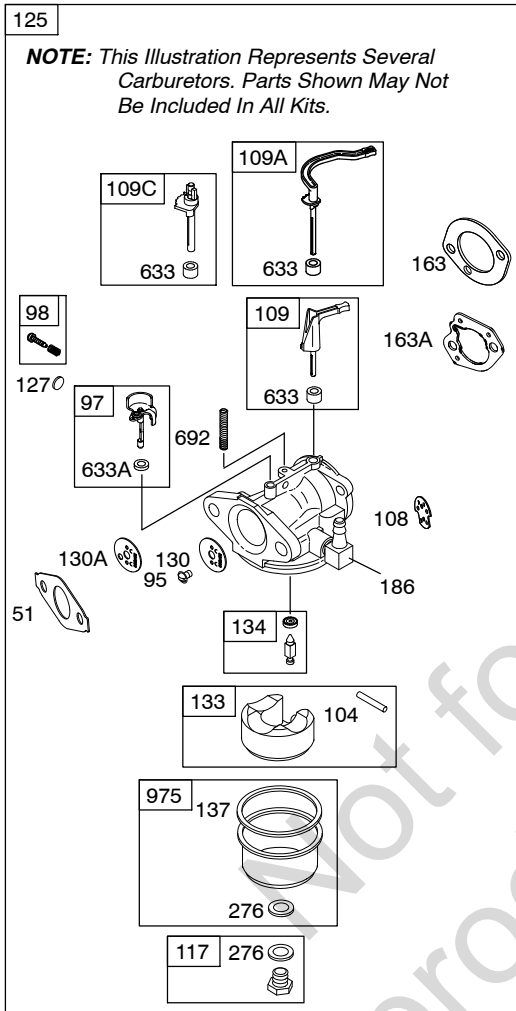


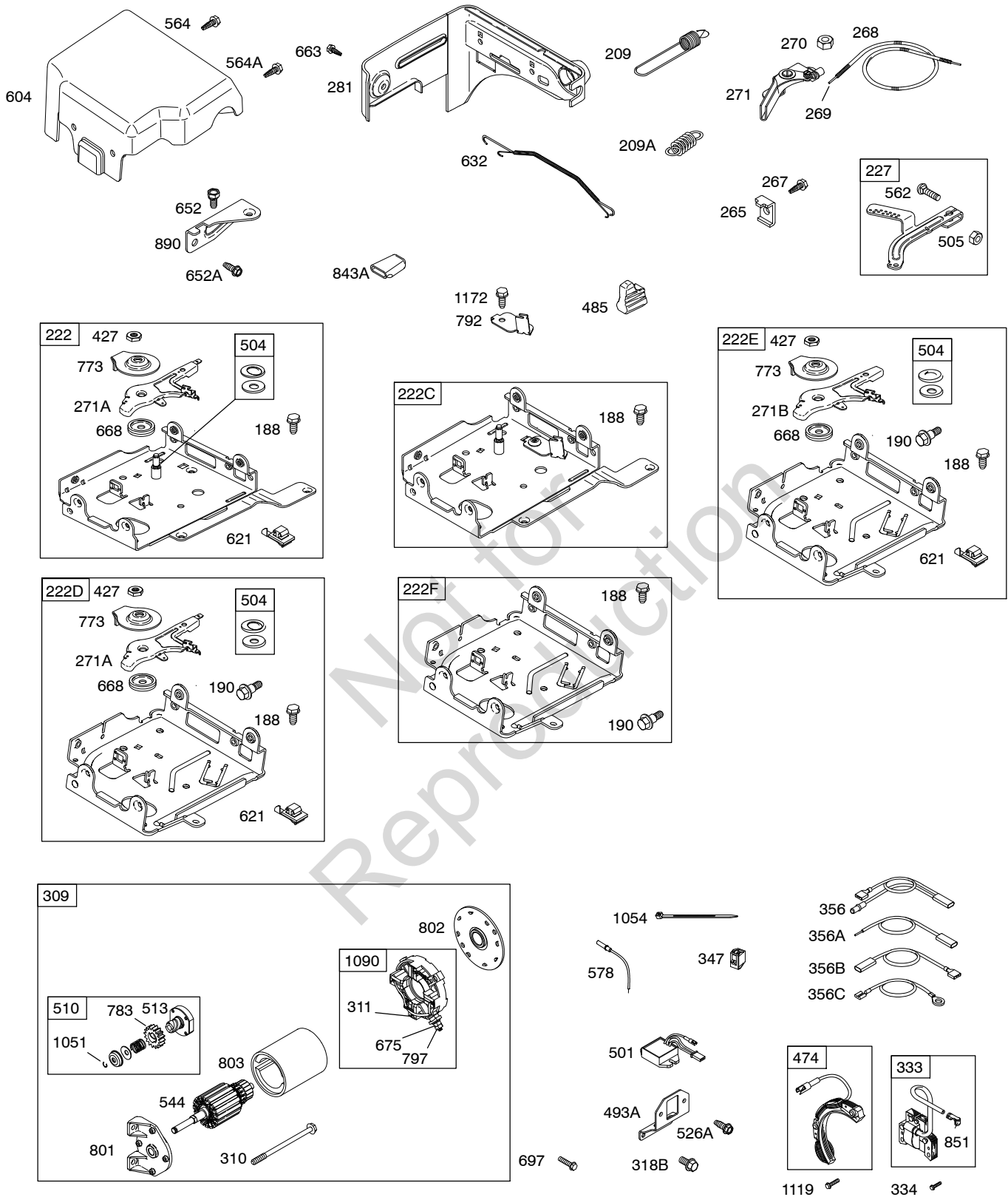
1019 LABEL KIT



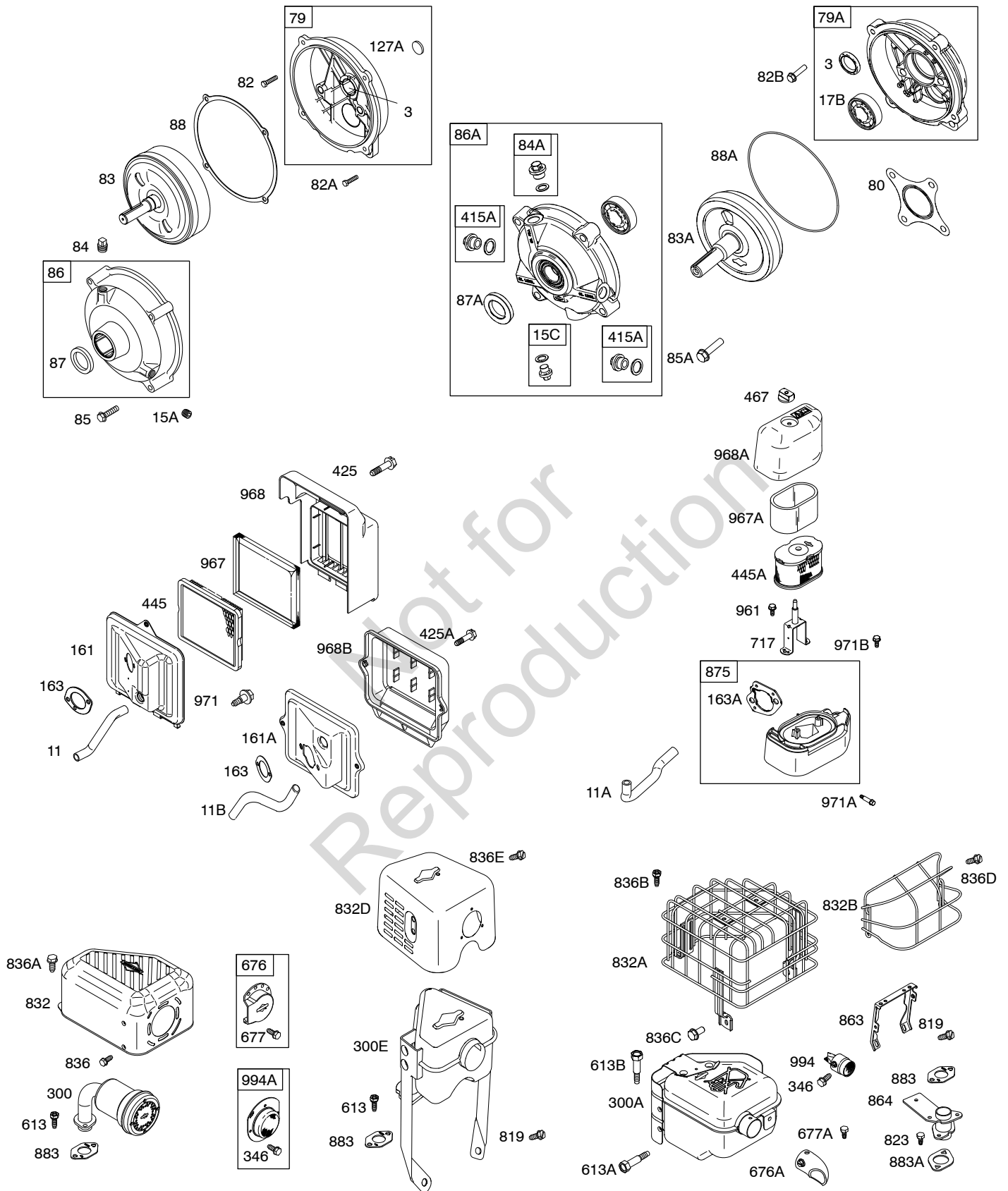
Illustrations cover a range of engines. Parts shown without corresponding text may not be used on your specific engine.
 5687-2 Assemblies include all parts shown in frames. 02/02/2010



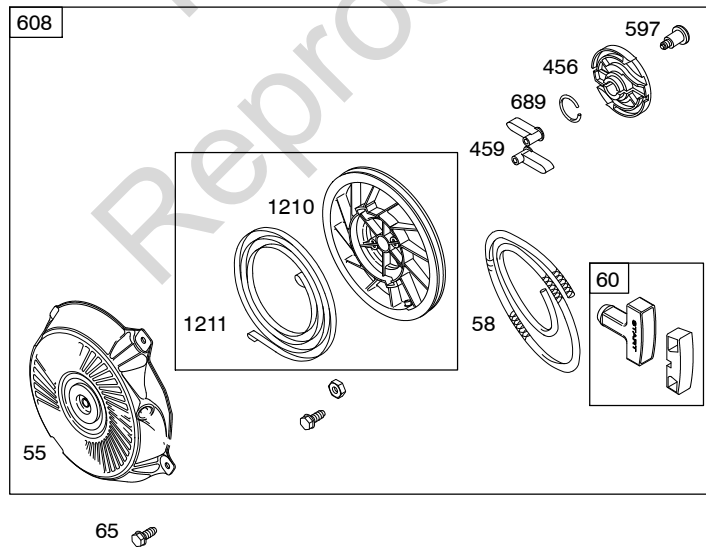
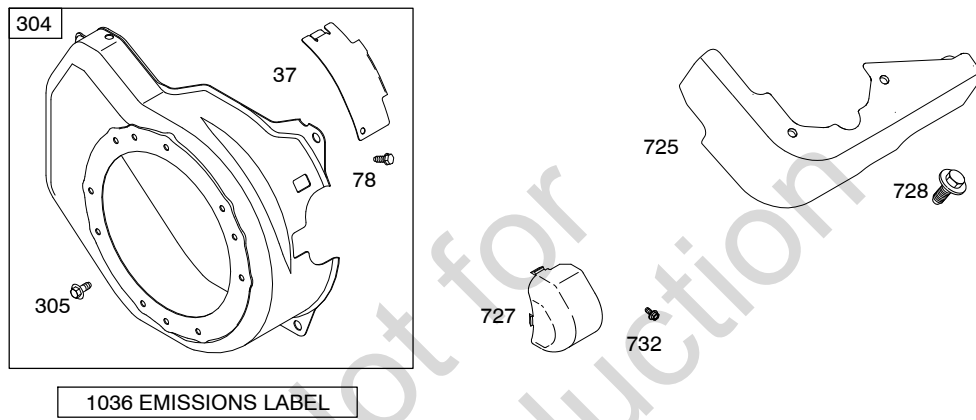
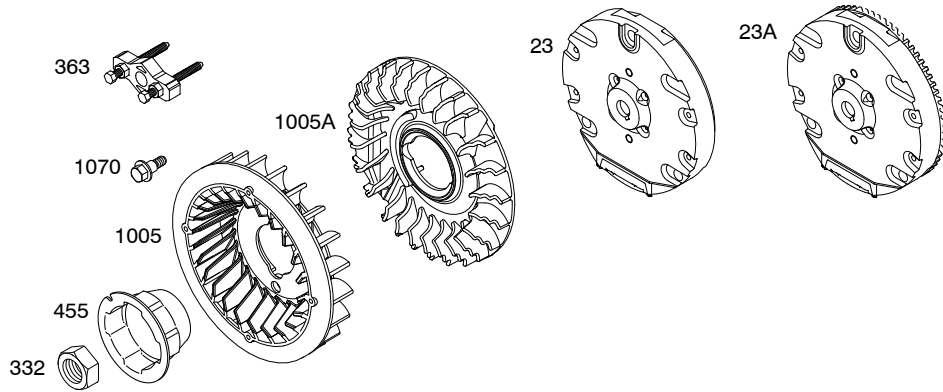




Illustrations cover a range of engines. Parts shown without corresponding text may not be used on your specific engine.
 5687-5 Assemblies include all parts shown in frames. 02/02/2010



Illustrations cover a range of engines. Parts shown without corresponding text may not be used on your specific engine.
 5687-6 Assemblies include all parts shown in frames. 02/02/2010



121300

REF. NO.	PART NO.	DESCRIPTION	REF. NO.	PART NO.	DESCRIPTION	REF. NO.	PART NO.	DESCRIPTION
1	699505	Cylinder Assembly ----- Note ----- 699490 Cylinder Assembly Used on Type No(s). 0111, 0112, 0113, 0132, 0323.	16	699445	Crankshaft ----- Note ----- 792883 Crankshaft (Used After Code Date 06051600). Used on Type No(s). 0014, 0049, 0130, 0163, 0191, 0218, 0227, 0293, 0294, 0295, 0298. 699444 Crankshaft (Used Before Code Date 06051600). Used on Type No(s). 0014, 0049, 0163, 0191, 0218, 0227. 699447 Crankshaft (Used Before Code Date 06051700). Used on Type No(s). 0026, 0122, 0125, 0126, 0140, 0175, 0176, 0177, 0209, 0210, 0212, 0213, 0224, 0271, 0526. 699452 Crankshaft Used on Type No(s). 0028, 0114, 0145, 0280, 0322, 0355, 0528. 699449 Crankshaft Used on Type No(s). 0144, 0247, 0269, 0326, 0401, 0522. 699451 Crankshaft Used on Type No(s). 0060, 0071, 0109, 0110, 0135, 0136, 0157, 0170, 0171, 0178, 0183, 0192, 0198, 0214, 0260, 0560, 0571.			699442 Crankshaft Used on Type No(s). 0033, 0119, 0133, 0156, 0184, 0193, 0220, 0233, 0240, 0241, 0533. 699441 Crankshaft Used on Type No(s). 0111, 0164, 0168, 0187, 0235, 0243, 0535. 699443 Crankshaft Used on Type No(s). 0036, 0050, 0112, 0113, 0116, 0120, 0128, 0129, 0131, 0132, 0147, 0148, 0158, 0165, 0182, 0186, 0190, 0196, 0197, 0199, 0200, 0203, 0222, 0225, 0236, 0242, 0250, 0251, 0265, 0270, 0278, 0282, 0283, 0290, 0292, 0296, 0297, 0356, 0357, 0536, 0550. 696259 Crankshaft Used on Type No(s). 0323.
2	399269	Kit-Bushing/Seal (Magneto Side)						
3	★299819S	Seal-Oil (Magneto Side)						
5	797439	Head-Cylinder (Metric) (Used After Code Date 09061700). ----- Note ----- 699486 Head-Cylinder (SAE) (Used Before Code Date 09061800).						
7	★Ø698210	Gasket-Cylinder Head						
11	692600	Tube-Breather (Flat Panel Air Cleaner)						
11A	693647	Tube-Breather (High Mount Air Cleaner)						
11B	790632	Tube-Breather (Ultra Low Air Cleaner)						
12	★699485	Gasket-Crankcase						
13	699482	Screw (Cylinder Head)				17	692517	Bearing-Ball
15	691686	Plug-Oil Drain (Square Head)				17B	99158	Bearing-Ball
15A	691682	Plug-Oil Drain (Flush)						
15C	792750	Plug-Oil Drain						

★ Included in Engine Gasket Set-Ref. No.358.

● Included in Carburetor Overhaul Kit-Ref. No. 121.

◆ Included in Carburetor Gasket Set-Ref. No. 977.

Ø Included in Valve Gasket Set-Ref. No 1095.

Illustrations cover a range of engines. Parts shown without corresponding text may not be used on your specific engine.

5687-8

Assemblies include all parts shown in frames.

02/02/2010

REF. NO.	PART NO.	DESCRIPTION	REF. NO.	PART NO.	DESCRIPTION	REF. NO.	PART NO.	DESCRIPTION
18	699804	Cover-Crankcase ----- Note ----- 699696 Cover-Crankcase Used on Type No(s). 0115, 0161, 0194, 0216, 0281, 0299, 0353, 0520. 699804 Cover-Crankcase (Used After Code Date 07070200). Used on Type No(s). 0014, 0049, 0218, 0293.	20	*692550	Seal-Oil (PTO Side)	33	499642	Valve-Exhaust
			20A	*694171	Seal-Oil (PTO Side)	34	499641	Valve-Intake
			20B	*691952	Seal-Oil (PTO Side)	35	691304	Spring-Valve (Intake)
			21	281658S	Cap-Oil Fill	36	691304	Spring-Valve (Exhaust)
			22	699478	Screw (Crankcase Cover/ Sump)	37	699661	Guard-Flywheel
			23	699488	Flywheel	40	692194	Retainer-Valve
			23A	699514	Flywheel	45	690977	Tappet-Valve
					----- Note ----- 790328 Flywheel Used on Type No(s). 0222.	46	693404	Camshaft
						46A	694831	Camshaft Used on Type No(s). 0070.
								----- Note ----- 695285 Camshaft Used on Type No(s). 0071, 0109, 0571.
18A	699672	Cover-Crankcase Used on Type No(s). 0033, 0035, 0036, 0050, 0111, 0112, 0113, 0116, 0119, 0120, 0128, 0129, 0131, 0132, 0133, 0135, 0147, 0148, 0156, 0158, 0164, 0165, 0168, 0182, 0184, 0187, 0190, 0192, 0193, 0196, 0197, 0198, 0199, 0200, 0203, 0220, 0222, 0225, 0233, 0235, 0236, 0240, 0241, 0242, 0243, 0250, 0251, 0265, 0270, 0278, 0282, 0283, 0290, 0292, 0296, 0297, 0323, 0355, 0356, 0357, 0533, 0535, 0536, 0550.	24	222698S	Key-Flywheel			696813 Camshaft Used on Type No(s). 0111, 0112, 0113, 0132.
			25	792004	Piston Assembly (Standard)			
					----- Note ----- 791325 Piston Assembly (.020" Oversize)	51	*692555	Gasket-Intake
			26	791969	Ring Set (Standard) (Used After Code Date 05030800).	55	791848	Housing-Rewind Starter (Used After Code Date 08030200).
					----- Note ----- 499631 Ring Set (Standard) (Used Before Code Date 05030900).			----- Note ----- 691422 Housing- Rewind Starter (Used Before Code Date 08030300). (Rewind Starter Parts Used With 3MM Diameter Starter Rope)
					791324 Ring Set (.020" Oversize) (Used After Code Date 05030800).			791848 Housing- Rewind Starter (Used Before Code Date 08030300). (Rewind Starter Parts Used With 5MM Diameter Starter Rope)
					692786 Ring Set (.020" Oversize) (Used Before Code Date 05030900).			
18B	699761	Cover-Crankcase Used on Type No(s). 0130, 0163, 0191, 0295, 0298. ----- Note ----- 699761 Cover- Crankcase (Used Before Code Date 07070300). Used on Type No(s). 0014, 0049, 0218, 0293.	27	691866	Lock-Piston Pin			
			28	499423	Pin-Piston			
			29	690124	Rod-Connecting			
			30	791584	Dipper-Connecting Rod			
			32	691664	Screw (Connecting Rod)			
			32A	695759	Screw (Connecting Rod)			
18C	699677	Cover-Crankcase Used on Type No(s). 0070, 0071, 0109, 0571.						

* Included in Engine Gasket Set-Ref. No.358.

● Included in Carburetor Overhaul Kit-Ref. No. 121.

◆ Included in Carburetor Gasket Set-Ref. No. 977.

⊘ Included in Valve Gasket Set-Ref. No 1095.

Illustrations cover a range of engines. Parts shown without corresponding text may not be used on your specific engine.

121300

REF. NO.	PART NO.	DESCRIPTION	REF. NO.	PART NO.	DESCRIPTION	REF. NO.	PART NO.	DESCRIPTION
58	693389	Rope-Starter (Used After Code Date 08030200). ----- Note ----- 693389 Rope-Starter (Used Before Code Date 08030300). (Rewind Starter Parts Used With 3MM Diameter Starter Rope) 66574 Rope-Starter (Used Before Code Date 08030300). (Rewind Starter Parts Used With 5MM Diameter Starter Rope)	83	690374	Shaft-Auxiliary Drive (Used Before Code Date 06051700).	117	690048	Jet-Main (Standard) ----- Note ----- 698344 Jet-Main (Standard) Used on Type No(s). 0116,0130,0131,0136, 0144,0145,0158,0161, 0178,0182,0194,0199, 0214,0216,0222,0290, 0292,0297,0298,0353. 691428 Jet-Main (Standard) Used on Type No(s). 0026,0033,0122,0125, 0140,0175,0184,0193, 0212,0220,0233, 0241,0271,0526,0533. 498975 Jet-Main (Standard) Used on Type No(s). 0119,0126,0133,0156, 0176,0177,0209,0210, 0213,0224.
60	490652	Grip-Starter Rope (2 Piece)	84	691121	Plug-Breather	118	498976	Jet-Main (High Altitude) ----- Note ----- 694176 Jet-Main (High Altitude) Used on Type No(s). 0116,0130,0131,0136, 0144,0145,0158,0161, 0178,0182,0194,0199, 0214,0216,0222,0290, 0292,0297,0298,0353. 695042 Jet-Main (High Altitude) Used on Type No(s). 0026,0033,0122,0125, 0140,0175,0184,0193, 0212,0220,0233,0241, 0271,0526,0533. 467466 Jet-Main (High Altitude) Used on Type No(s). 0119,0126,0133,0156, 0176,0177,0209,0210, 0213,0224.
65	699851	Screw (Rewind Starter) (Metric) ----- Note ----- 699228 Screw (Rewind Starter)(SAE)	84A	792759	Plug-Breather			
78	699205	Screw (Flywheel Guard)	85	692551	Screw (Gear Cover to Gear Reduction) (Used Before Code Date 06051700).	87A	792752	Seal-Gear Reduction (Used After Code Date 06051600).
79	694511	Case-Gear Reduction (Used Before Code Date 06051700).	85A	690711	Screw (Gear Cover to Gear Reduction) (Used After Code Date 06051600).	88	691600	Gasket-Gear Reduction Cover
79A	792746	Case-Gear Reduction (Used After Code Date 06051600).	86	690608	Cover-Gear (Used Before Code Date 06051700).	88A	792760	Gasket-Gear Reduction Cover
80	792755	Gasket-Gear Case	86A	795647	Cover-Gear (Used After Code Date 08010100). ----- Note ----- 792748 Cover-Gear (Used After Code Date 06051600 and Before Code Date 08010200).	95	691636	Screw (Throttle Valve)
82	690369	Screw (Gear Reduction Case) (Used Before Code Date 06051700).	87	691582	Seal-Gear Reduction (Used Before Code Date 06051700).	97	690024	Shaft-Throttle
82A	790197	Screw (Gear Reduction Case) (Used Before Code Date 06051700).	87A	792752	Seal-Gear Reduction (Used After Code Date 06051600).	98	398185	Kit-Idle Speed (Carburetor)
82B	792753	Screw (Gear Reduction Case) (Used After Code Date 06051600).	88	691600	Gasket-Gear Reduction Cover	104	691242	Pin-Float Hinge
			88A	792760	Gasket-Gear Reduction Cover	108	692567	Valve-Choke
			95	691636	Screw (Throttle Valve)	109	690023	Shaft-Choke
			97	690024	Shaft-Throttle	109A	693628	Shaft-Choke
			98	398185	Kit-Idle Speed (Carburetor)	109C	790624	Shaft-Choke
			104	691242	Pin-Float Hinge			
			108	692567	Valve-Choke			
			109	690023	Shaft-Choke			
			109A	693628	Shaft-Choke			
			109C	790624	Shaft-Choke			

★ Included in Engine Gasket Set-Ref. No.358.

● Included in Carburetor Overhaul Kit-Ref. No. 121.

◆ Included in Carburetor Gasket Set-Ref. No. 977.

⊗ Included in Valve Gasket Set-Ref. No 1095.

Illustrations cover a range of engines. Parts shown without corresponding text may not be used on your specific engine.

5687-10

Assemblies include all parts shown in frames.

02/02/2010

REF. NO.	PART NO.	DESCRIPTION	REF. NO.	PART NO.	DESCRIPTION	REF. NO.	PART NO.	DESCRIPTION
121	792006	Kit-Carburetor Overhaul	146	690979	Key-Timing	209	692571	Spring-Governor
122	★●795643	Spacer-Carburetor	155	797442	Plate-Cylinder Head (Metric)	----- Note -----		
125	698474	Carburetor			(Used After Code Date 09061700).	693206		Spring-Governor
		----- Note -----			----- Note -----			Used on Type No(s).
		698475 Carburetor			698214 Plate-Cylinder Head			0023, 0026, 0033,
		Used on Type No(s).			(SAE)			0060, 0070, 0111,
		0116, 0130, 0131,			(Used Before Code			0122, 0125, 0140,
		0136, 0144, 0145,			Date 09061800).			0157, 0168, 0170,
		0158, 0161, 0178,	161	699207	Base-Air Cleaner			0171, 0175, 0178,
		0182, 0194, 0199,			(Flat Panel Air			0184, 0187, 0193,
		0214, 0216, 0222,			Cleaner)			0199, 0220, 0223,
		0290, 0292, 0297,	161A	790631	Base-Air Cleaner			0225, 0241, 0243,
		0298, 0353.			(Ultra Low Air Cleaner)			0282, 0523, 0526,
		698860 Carburetor						0533, 0535, 0560,
		Used on Type No(s).			163★●◆696024			0571.
		0119, 0126, 0133,			Gasket-Air Cleaner			693710 Spring-
		0156, 0176, 0177,	163A★●◆792870		Gasket-Air Cleaner			Governor
		0209, 0210, 0213,			Stud			Used on Type No(s).
		0224.	170	699818	(Crankcase Cover)			0113, 0131, 0182.
		791991 Carburetor			186	692317		Spring-Governor
		Used on Type No(s).			187	791766		Gear-Governor
		0026, 0033, 0122,						220
		0125, 0140, 0175,						691724
		0184, 0193, 0212,						Washer
		0220, 0233, 0241,	187A	791867	Line-Fuel			(Governor Gear)
		0271, 0526, 0533.			(Molded)			222
		127	●691739	Plug-Welch	187B	791874	Line-Fuel	699589
		----- Note -----						Bracket-Control
		694468 Plug-Welch			187C	791866	Line-Fuel	(Used Before Code
		Used on Type No(s).						Date 06051500).
		0126, 0210, 0213,			188	699479	Screw	222C
		0224.						699590
		127A	691585	Plug-Welch				Bracket-Control
		130	691181	Valve-Throttle				(Used Before Code
		130A	691203	Valve-Throttle				Date 06051500).
		Used on Type No(s).						----- Note -----
		0033, 0126, 0140,						699493 Bracket-
		0175, 0184, 0210,						Control
		0213, 0220, 0224.						(Used Before Code
		133	398187	Float-Carburetor				Date 06051500).
		134	●398188	Kit-Needle/Seat				Used on Type No(s).
		137	●◆693981	Gasket-Float Bowl				0125, 0140, 0175,
								0176, 0209, 0220,
								0224.
								222D
								793107
								Bracket-Control
								(Used After Code Date
								06051400).
								222E
								793108
								Bracket-Control
								222F
								793100
								Bracket-Control
								(Used After Code Date
								06051400).

★ Included in Engine Gasket Set-Ref. No.358.

● Included in Carburetor Overhaul Kit-Ref. No. 121.

◆ Included in Carburetor Gasket Set-Ref. No. 977.

⊘ Included in Valve Gasket Set-Ref. No 1095.

Illustrations cover a range of engines. Parts shown without corresponding text may not be used on your specific engine.

121300

REF. NO.	PART NO.	DESCRIPTION	REF. NO.	PART NO.	DESCRIPTION	REF. NO.	PART NO.	DESCRIPTION
227	692573	Lever-Governor Control	332	792723	Nut (Flywheel)	425A	699492	Screw (Air Cleaner Cover)
238	691300	Valve-Cap	333	695711	Armature-Magneto	427	798458	Nut (Control Bracket) (Metric)
240	298090S	Filter-Fuel	334	699477	Screw (Magneto Armature)			
		----- Note -----	337	491055S	Plug-Spark (Resistor)			----- Note -----
		394358S Filter-Fuel Used on Type No(s). 0132, 0201.			----- Note -----			694255 Nut (Control Bracket) (SAE)
240A	694485	Filter-Fuel	346	699203	Screw (Spark Arrestor) (Metric)	445	491588S	Filter-Air Cleaner Cartridge (Flat Panel)
265	691024	Clamp-Casing			----- Note -----	445A	697029	Filter-Air Cleaner Cartridge (High Mount)
267	699492	Screw (Casing Clamp)			690661 Screw (Spark Arrestor) (SAE)	455	692591	Cup-Flywheel
268	691025	Casing-Control Wire (Cut to Required Length)	347	697854	Switch-Rocker	456	692299	Plate-Pawl Friction
269	691026	Wire-Control (Cut to Required Length)			----- Note -----	459	281505S	Pawl-Ratchet
270	691027	Nut (Control Wire Casing)			698338 Switch-Rocker Used on Type No(s). 0026, 0028, 0033, 0120, 0122, 0129, 0147, 0175, 0178, 0183, 0193, 0227, 0233, 0294, 0526, 0528, 0533.	467	691668	Knob-Air Cleaner
271	691028	Lever-Control	356	693651	Wire-Stop	474	694457	Alternator
271A	694256	Lever-Control	356A	692390	Wire-Stop			----- Note -----
271B	695743	Lever-Control	356B	692602	Wire-Stop			793640 Alternator Used on Type No(s). 0050, 0121, 0180, 0196, 0247, 0250, 0356, 0550.
276	271716	Washer-Sealing	356C	695630	Wire-Stop			790320 Alternator Used on Type No(s). 0222.
281	793122	Panel-Control	357	691483	Key-Drive Pulley Used on Type No(s). 0136, 0214.			695730 Alternator Used on Type No(s). 0299.
286	794185	Module-Oil Sensor	358	791797	Gasket Set-Engine	485	695755	Knob-Control
287	699629	Screw (Dipstick Tube)	363	19203	Puller-Flywheel	493A	699048	Bracket-Mounting
300	693593	Muffler	364	695693	Terminal-Oil Plug	501	790325	Regulator
300A	699231	Muffler	365	699484	Screw (Carburetor)	504	694254	Washer Set-Friction
300E	791595	Muffler	383	19374S	Wrench-Spark Plug	505	691251	Nut (Governor Control Lever)
304	699598	Housing-Blower	415	693463	Plug	510	499308	Drive-Starter
305	699481	Screw (Blower Housing)	415A	792749	Plug	513	692024	Drive-Clutch
306	693610	Shield-Cylinder	425	699208	Screw (Air Cleaner Cover)	522	697689	Plug-Dipstick/Fill
307	699483	Screw (Cylinder Shield)						
309	694504	Motor-Starter						
310	690323	Screw (Starter Motor)						
311	497608	Brush Set						
318B	793567	Screw (Mounting Bracket)						

★ Included in Engine Gasket Set-Ref. No.358.

● Included in Carburetor Overhaul Kit-Ref. No. 121.

◆ Included in Carburetor Gasket Set-Ref. No. 977.

⊘ Included in Valve Gasket Set-Ref. No 1095.

Illustrations cover a range of engines. Parts shown without corresponding text may not be used on your specific engine.

REF. NO.	PART NO.	DESCRIPTION	REF. NO.	PART NO.	DESCRIPTION	REF. NO.	PART NO.	DESCRIPTION
523	693618	Dipstick ----- Note ----- 798469 Dipstick (Used After Code Date 10022100). Used on Type No(s). 0326, 0401. 790546 Dipstick (Used Before Code Date 10022200). Used on Type No(s). 0326, 0401.	608	795930	Starter-Rewind (Used After Code Date 08030200). ----- Note ----- 693394 Starter-Rewind (Used Before Code Date 08030300). (Rewind Starter Parts Used With 3MM Diameter Starter Rope) 791670 Starter-Rewind (Used Before Code Date 08030300). (Rewind Starter Parts Used With 5MM Diameter Starter Rope)	663	699206	Screw (Control Panel)
524	281370S	Seal-Dipstick Tube	613	699209	Screw (Muffler)	668	694257	Spacer
526A	690326	Screw (Regulator)	613A	699481	Screw (Muffler)	675	691261	Washer (Brush Retainer)
544	692966	Armature-Starter	613B	697812	Screw (Muffler)	676	393757	Deflector-Muffler
552	692346	Bushing-Governor Crank	615	692576	Retainer-Governor Shaft	676A	697816	Deflector-Muffler
562	691119	Bolt (Governor Control Lever)	616	692547	Crank-Governor	677	690661	Screw (Muffler Deflector)
564	699491	Screw (Control Cover)	619	699481	Screw (Cylinder Head Plate)	677A	699776	Screw (Muffler Deflector)
564A	699492	Screw (Control Cover) ----- Note ----- 699206 Screw (Control Cover) Used on Type No(s). 0125, 0140, 0176, 0209.	621	692310	Switch-Stop	689	691855	Spring-Friction
578	692306	Wire Assembly	632	693408	Spring/Link-Mechanical Governor	692	690572	Spring-Detent
597	691696	Screw (Pawl Friction Plate)	633	◆693867	Seal-Choke/Throttle Shaft	697	793567	Screw (Starter Motor)
601	791850	Clamp-Hose	633A	◆691321	Seal-Choke/Throttle Shaft	717	693462	Bracket-Air Cleaner
604	697326	Cover-Control	635	692076	Boot-Spark Plug	718	690959	Pin-Locating
			635A	692927	Boot-Spark Plug	725	792874	Shield-Heat
			652	699755	Screw (Support Bracket)	727	698039	Cover-Starter Drive
			652A	699481	Screw (Support Bracket)	728	699632	Screw (Heat Shield)
						732	699200	Screw (Starter Drive Cover)
						741	695087	Gear-Timing
						742	692564	Retainer-E Ring
						746	790278	Gear-Idler
						773	694258	Retainer
						783	692353	Gear-Pinion
						792	694259	Bracket-Fixed Speed
						797	691029	Nut (Brush Retainer)
						799	699202	Screw (Oil Sensor)
						801	694482	Cap-Drive
						802	691286	Cap-End
						803	693757	Housing-Starter
						819	699233	Screw (Muffler Bracket)
						823	699209	Screw (Muffler Adapter)

★ Included in Engine Gasket Set-Ref. No.358.

● Included in Carburetor Overhaul Kit-Ref. No. 121.

◆ Included in Carburetor Gasket Set-Ref. No. 977.

⊗ Included in Valve Gasket Set-Ref. No 1095.

Illustrations cover a range of engines. Parts shown without corresponding text may not be used on your specific engine.

121300

REF. NO.	PART NO.	DESCRIPTION	REF. NO.	PART NO.	DESCRIPTION	REF. NO.	PART NO.	DESCRIPTION
830	797441	Stud-Rocker Arm (Metric) (Used After Code Date 09061700). ----- Note ----- 694544 Stud-Rocker Arm (SAE) (Used Before Code Date 09061800).	847	693617	Dipstick/Tube Assembly ----- Note ----- 798468 Dipstick/Tube Assembly (Used After Code Date 10022100). Used on Type No(s). 0326, 0401. 790545 Dipstick/Tube Assembly (Used Before Code Date 10022200). Used on Type No(s). 0326, 0401.	918	499214	Hose-Vacuum (Cut to Required Length) Used on Type No(s). 0140.
832	693583	Guard-Muffler	851	493880S	Terminal-Spark Plug	951	790630	Lever-Choke
832A	697818	Guard-Muffler	863	699229	Bracket-Muffler	957	792647	Cap-Fuel Tank (Fresh Start) ----- Note ----- 795027 Cap-Fuel Tank (Text Free)
832B	696516	Guard-Muffler	864	699232	Adapter-Muffler	958	698180	Valve-Fuel Shut Off
832D	796240	Guard-Muffler (Used After Code Date 08062400). ----- Note ----- 791600 Guard-Muffler (Used Before Code Date 08062500).	868	★692044	Seal-Valve	961	698304	Screw (Air Cleaner Bracket)
836	699203	Screw (Muffler Guard)	875	697030	Base-Air Cleaner (High Mount)	967	493537	Filter-Pre Cleaner (Flat Panel)
836A	699632	Screw (Muffler Guard)	883	★691893	Gasket-Exhaust	967A	273356	Filter-Pre Cleaner
836B	699209	Screw (Muffler Guard)	883A	★692237	Gasket-Exhaust (Adapter Mounting)	968	692584	Cover-Air Cleaner (Flat Panel Air Cleaner)
836C	699234	Screw (Muffler Guard)	890	790203	Bracket-Support	968A	693460	Cover-Air Cleaner (High Mount)
836D	699204	Screw (Muffler Guard)	914	699481	Screw (Rocker Cover) (Bottom)	968B	791082	Cover-Air Cleaner (Ultra Low Air Cleaner)
836E	699755	Screw (Muffler Guard)	914A	797444	Screw (Rocker Cover) (Top)(Metric) (Used After Code Date 09061700). ----- Note ----- 692557 Screw (Rocker Cover) (Top)(Metric) (Used Before Code Date 09061800).	971	690370	Screw (Air Cleaner Base)
842	691031	Seal-O Ring (Dipstick Tube)	914B	797444	Screw (Rocker Cover) (Center)(Metric) (Used After Code Date 09061700). ----- Note ----- 697551 Screw (Rocker Cover) (Center)(SAE) (Used Before Code Date 09061800). (High Mount)	971A	690349	Screw (Air Cleaner Base)
843A	695588	Sleeve-Lever				971B	699629	Screw (Air Cleaner Base)
						972	694260	Tank-Fuel
						975	493640	Bowl-Float
						977	792006	Gasket Set-Carburetor
						993	∅694088	Gasket-Cylinder Head Plate
						994	790153	Arrester-Spark
						994A	399541	Arrester-Spark
						1005	692592	Fan-Flywheel
						1005A	794273	Fan-Flywheel
						1019	694852	Kit-Label
						1022	★691890	Gasket-Rocker Cover
						1023	499924	Cover-Rocker Arm
						1026	790287	Rod-Push

★ Included in Engine Gasket Set-Ref. No.358.

● Included in Carburetor Overhaul Kit-Ref. No. 121.

◆ Included in Carburetor Gasket Set-Ref. No. 977.

∅ Included in Valve Gasket Set-Ref. No 1095.

Illustrations cover a range of engines. Parts shown without corresponding text may not be used on your specific engine.

REF. NO.	PART NO.	DESCRIPTION	REF. NO.	PART NO.	DESCRIPTION	REF. NO.	PART NO.	DESCRIPTION
1029	797443	Arm-Rocker (Metric) (Used After Code Date 09061700). ----- Note ----- 691230 Arm-Rocker (SAE) (Used Before Code Date 09061800).	1210	791849	Pulley/Spring Assembly (Pulley) (Used After Code Date 08030200). ----- Note ----- 498144 Pulley/Spring Assembly (Pulley) (Used Before Code Date 08030300). (Rewind Starter Parts Used With 3MM Diameter Starter Rope)	1211	791849	Pulley/Spring Assembly (Spring) (Used After Code Date 08030200). ----- Note ----- 498144 Pulley/Spring Assembly (Spring) (Used Before Code Date 08030300). (Rewind Starter Parts Used With 3MM Diameter Starter Rope)
1034	691343	Guide-Push Rod						
1036		Label-Emissions (Available From An Authorized Briggs & Stratton Sevice Dealer)						
1051	691265	Ring-Retaining			791849 Pulley/Spring Assembly (Pulley) (Used Before Code Date 08030300). (Rewind Starter Parts Used With 5MM Diameter Starter Rope)			791849 Pulley/Spring Assembly (Spring) (Used Before Code Date 08030300). (Rewind Starter Parts Used With 5MM Diameter Starter Rope)
1052	790141	Sensor-Oil						
1054	280275	Cable-Tie						
1058	277040	Operator's Manual						
1070	699201	Screw (Flywheel Fan)						
1090	691293	Retainer-Brush						
1095	791798	Gasket Set-Valve						
1119	699772	Screw (Alternator)				1305	699691	Screw (Oil Sensor Module)
1172	699230	Screw (Fixed Speed Bracket)				1319	794467	Label-Warning
						1330	272147	Repair Manual

★ Included in Engine Gasket Set-Ref. No.358.
● Included in Carburetor Overhaul Kit-Ref. No. 121.

◆ Included in Carburetor Gasket Set-Ref. No. 977.
⊗ Included in Valve Gasket Set-Ref. No 1095.

Illustrations cover a range of engines. Parts shown without corresponding text may not be used on your specific engine.