



Illustrated Parts List

Model Series

126600

TYPE NUMBERS
0100 through 0502.

TABLE OF CONTENTS

Air Cleaner	6
Blower Housing/Shrouds	7
Camshaft	2
Carburetor	4
Controls	5
Crankshaft	2
Cylinder	2
Cylinder Head	3
Electric Starter	7
Engine Sump	2
Exhaust System	6
Flywheel	7
Flywheel Brake	5
Fuel Supply	4
Governor Spring	5
Ignition	5
Lubrication	2
Piston Group	2
Rewind Starter	7

Not for production



PRINTED IN U.S.A.

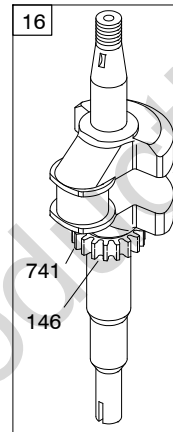
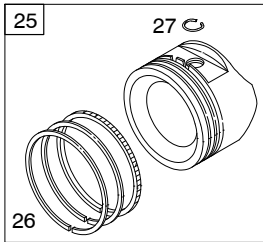
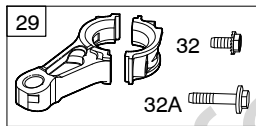
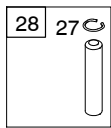
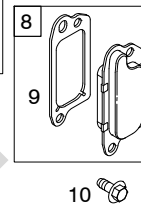
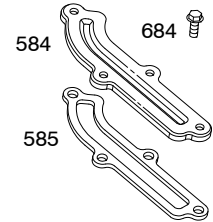
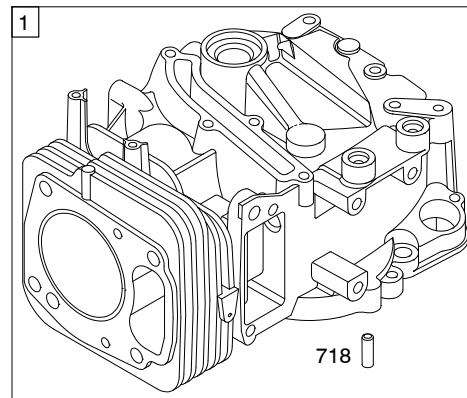
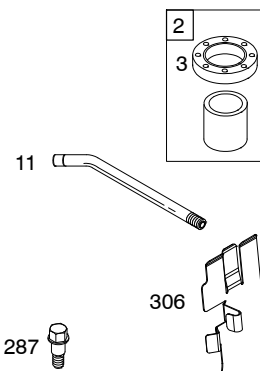
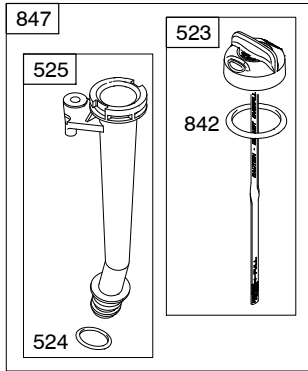
COPYRIGHT by BRIGGS & STRATTON CORPORATION
All rights reserved. No part of this material may be reproduced or transmitted, in any form or by any means, electronic or mechanical, including photocopying, recording or by any information storage and retrieval system, without permission in writing from Briggs & Stratton Corporation.



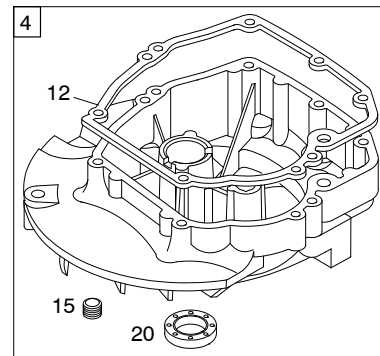
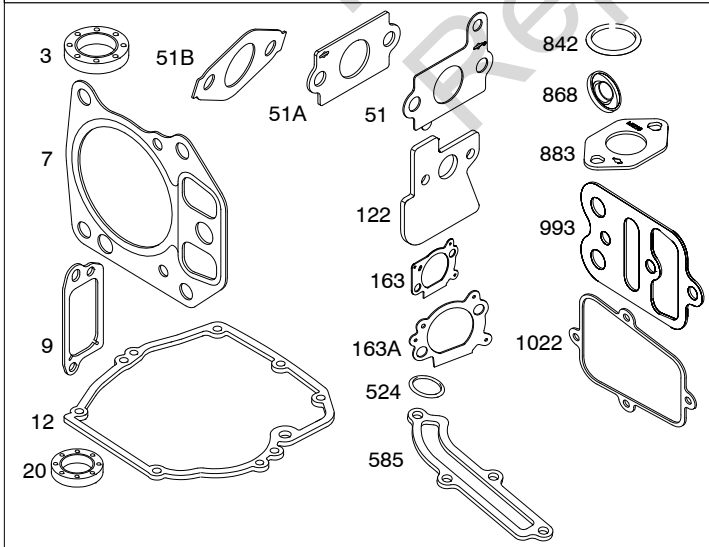
1319 WARNING LABEL

REQUIRED when replacing parts with warning labels affixed.

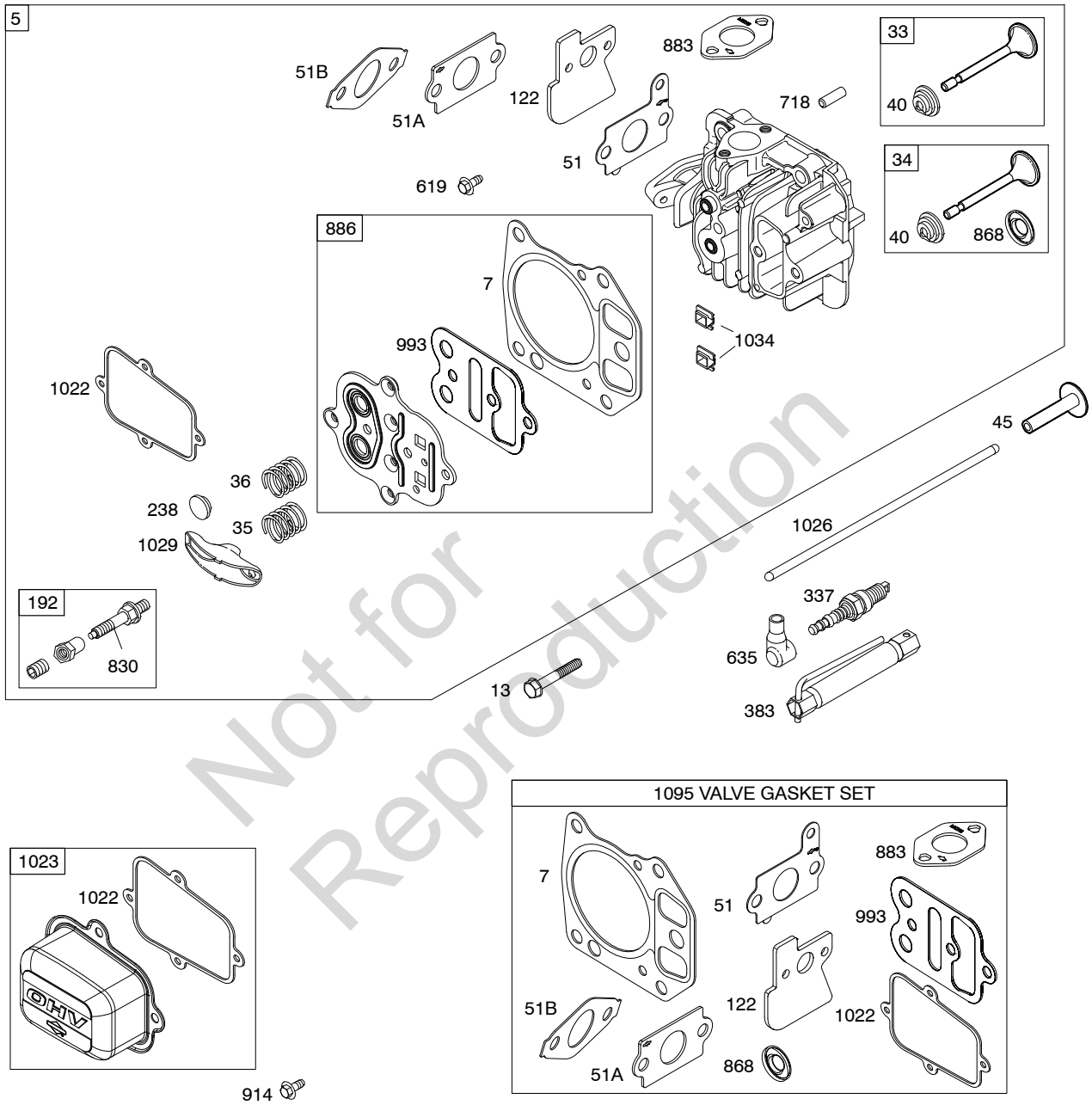
1019 LABEL KIT



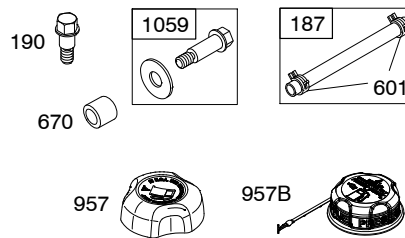
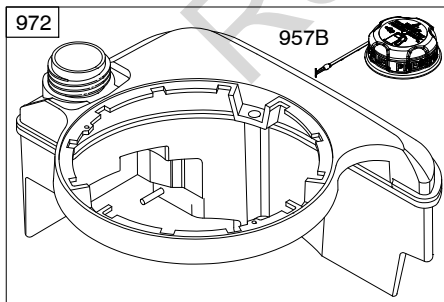
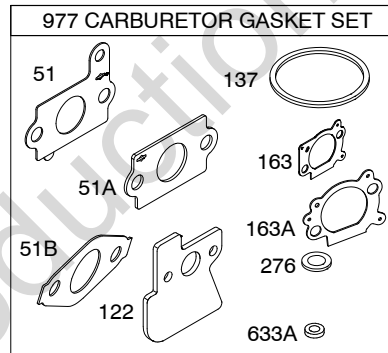
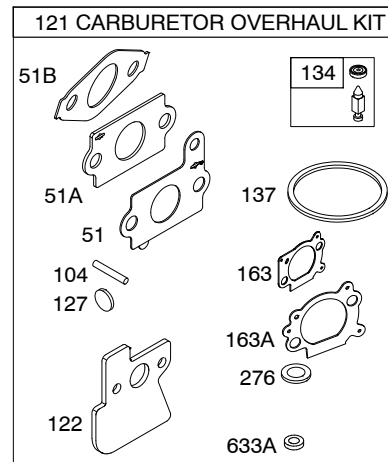
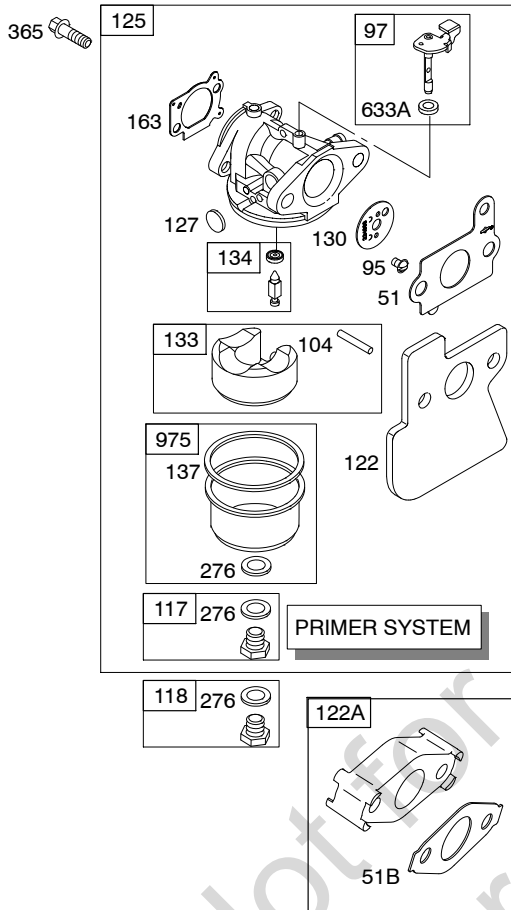
358 ENGINE GASKET SET



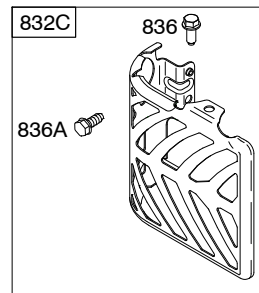
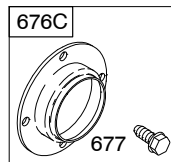
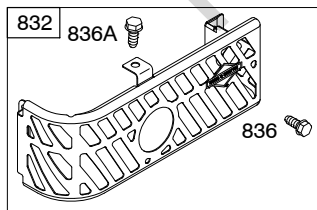
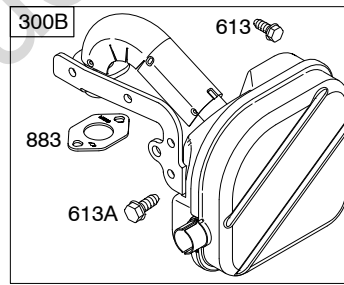
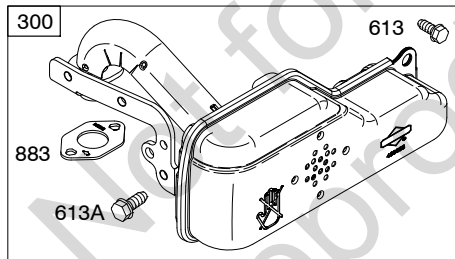
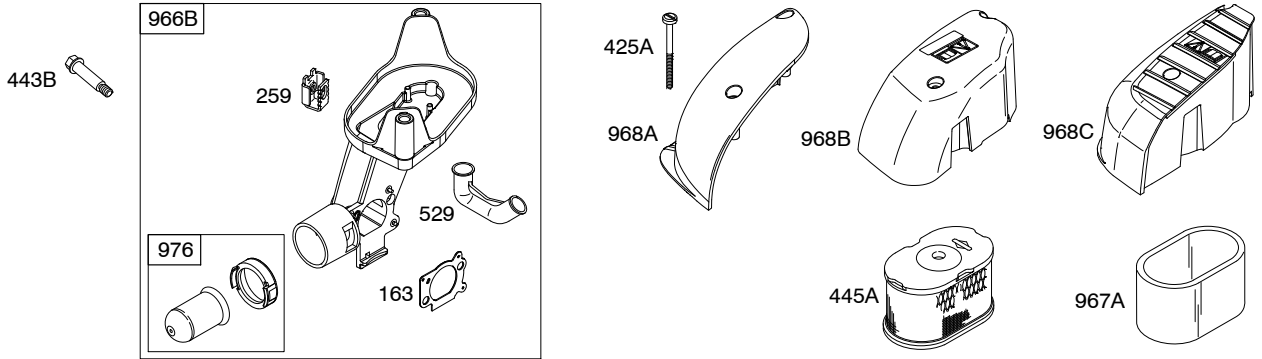
Illustrations cover a range of engines. Parts shown without corresponding text may not be used on your specific engine.
6385-2 Assemblies include all parts shown in frames. 11/12/2008

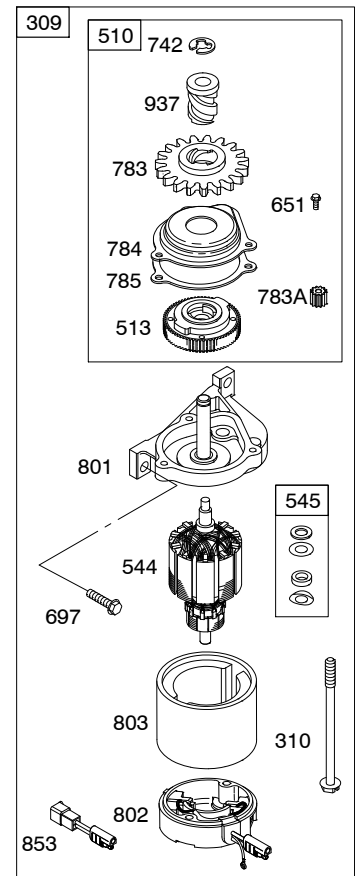
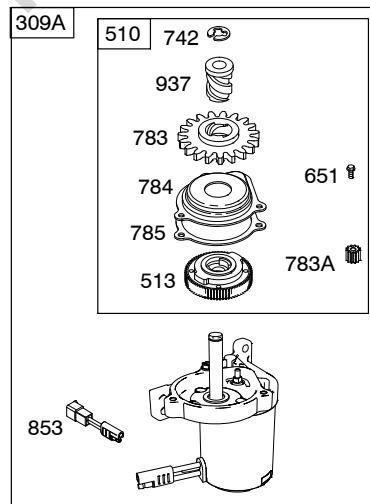
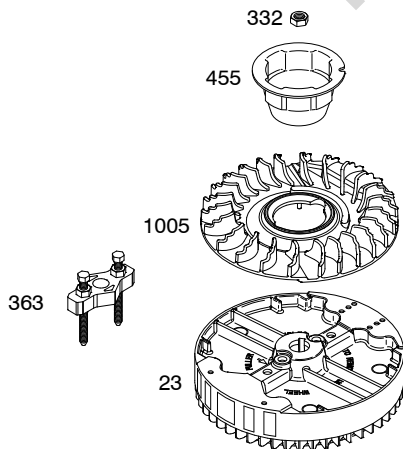
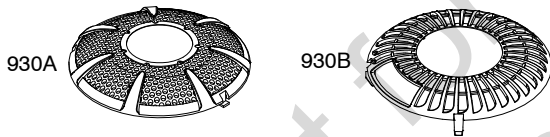
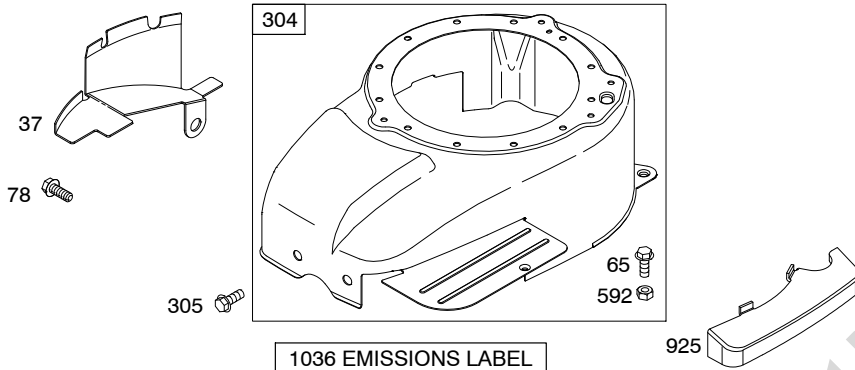
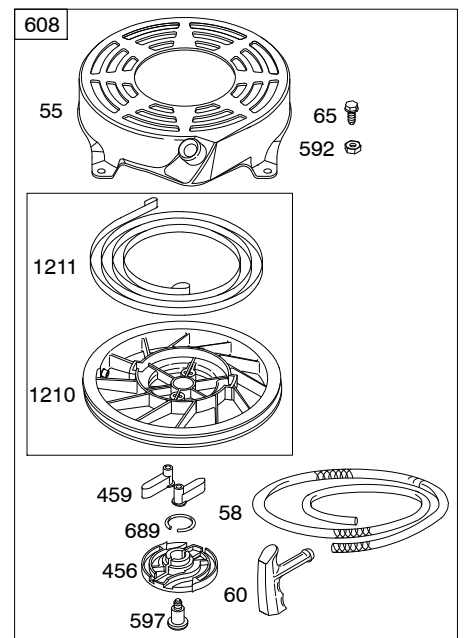
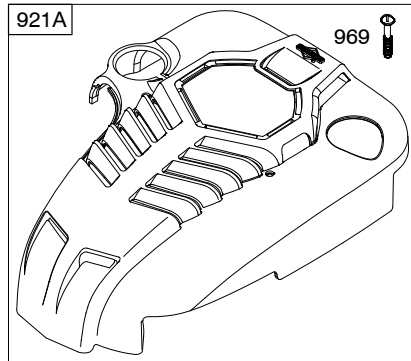
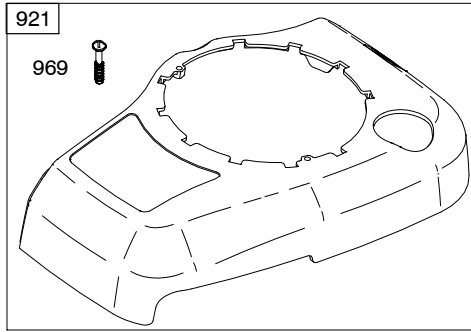


Illustrations cover a range of engines. Parts shown without corresponding text may not be used on your specific engine.
 6385-3 Assemblies include all parts shown in frames. 11/12/2008



Illustrations cover a range of engines. Parts shown without corresponding text may not be used on your specific engine.





126600

REF. NO.	PART NO.	DESCRIPTION	REF. NO.	PART NO.	DESCRIPTION	REF. NO.	PART NO.	DESCRIPTION
1	692670	Cylinder Assembly	23	697610	Flywheel	26	795431	Ring Set
2	399269	Kit-Bushing/Seal (Magneto Side)			----- Note -----			(Standard)
3	★299819S	Seal-Oil (Magneto Side)			692693 Flywheel			(Used After Code Date
4	493279	Sump-Engine	24	222698S	Key-Flywheel			07090300).
5	795501	Head-Cylinder (Used After Code Date 05110100).	25	795429	Piston Assembly (Standard)			----- Note -----
		----- Note -----			(Used After Code Date 07090300).			791969 Ring Set
		695276 Head-Cylinder (Used Before Code Date 05110200).			----- Note -----			(Standard)
7	★Δ697230	Gasket-Cylinder Head			791968 Piston Assembly			(Used After Code Date
8	495786	Breather Assembly			(Standard)			04040400 and Before
9	★699833	Gasket-Breather			(Used Before Code Date 07090400).			Code Date 07090400).
10	691125	Screw (Breather Assembly)			795430 Piston Assembly			499631 Ring Set
11	499675	Tube-Breather			(.020" Oversize)			(Standard)
12	★692232	Gasket-Crankcase			(Used After Code Date 07090300).			(Used Before Code Date 04040500).
13	691137	Screw (Cylinder Head)			791326 Piston Assembly			795432 Ring Set
15	691680	Plug-Oil Drain (Square Socket)			(.020" Oversize)			(.020" Oversize)
16	691457	Crankshaft			(Used Before Code Date 07090400).			(Used After Code Date 07090300).
		----- Note -----						791324 Ring Set
		695860 Crankshaft Used on Type No(s). 0143, 0158.						(.020" Oversize)
		693291 Crankshaft Used on Type No(s). 0108.						(Used After Code Date 04102100 and Before Code Date 07090400).
		691456 Crankshaft Used on Type No(s). 0110, 0113, 0114, 0115, 0116, 0117, 0118, 0502.						499427 Ring Set
20	★399781S	Seal-Oil (PTO Side)						(.020" Oversize)
22	691092	Screw (Crankcase Cover/Sump)						(Used Before Code Date 04102200).
								27 691866 Lock-Piston Pin
								28 499423 Pin-Piston
								29 499424 Rod-Connecting
								32 691664 Screw
								(Connecting Rod)
								32A 695759 Screw
								(Connecting Rod)
								(Used After Code Date 00042200).
								33 499642 Valve-Exhaust
								34 499641 Valve-Intake
								35 691304 Spring-Valve
								(Intake)
								36 691304 Spring-Valve
								(Exhaust)

★ Included in Engine Gasket Set-Ref. No.358.

● Included in Carburetor Overhaul Kit-Ref. No. 121.

◆ Included in Carburetor Gasket Set-Ref. No. 977.

Δ Included in Valve Gasket Set-Ref. No 1095.

Illustrations cover a range of engines. Parts shown without corresponding text may not be used on your specific engine.

REF. NO.	PART NO.	DESCRIPTION	REF. NO.	PART NO.	DESCRIPTION	REF. NO.	PART NO.	DESCRIPTION
37	694086	Guard-Flywheel	121	792383	Kit-Carburetor Overhaul	222F	792398	Bracket-Control (Used After Code Date 05110100).
40	692194	Retainer-Valve	122★◆△	692799	Spacer-Carburetor			Used on Type No(s). 0100, 0113, 0114, 0115, 0118, 0145.
43	691997	Slinger-Governor/Oil	122A	792382	Spacer-Carburetor			----- Note -----
45	690977	Tappet-Valve	125	790120	Carburetor			692617 Bracket-Control (Used Before Code Date 05110200).
46	694039	Camshaft	127	694468	Plug-Welch			Used on Type No(s). 0100, 0113, 0114, 0115, 0118, 0145.
51★◆△	692668	Gasket-Intake	130	691203	Valve-Throttle			----- Note -----
51A★◆△	697735	Gasket-Intake			----- Note -----			692617 Bracket-Control (Used Before Code Date 05110200).
51B★◆△	692555	Gasket-Intake			696564 Valve-Throttle (Used With Plastic Throttle Shaft)			Used on Type No(s). 0100, 0113, 0114, 0115, 0118, 0145.
55	691421	Housing-Rewind Starter	133	398187	Float-Carburetor	222H	792397	Bracket-Control (Used After Code Date 05110100).
58	697316	Rope-Starter (Cut To Required Length)	134	693188	Kit-Needle/Seat			Used on Type No(s). 0143, 0158.
60	281434S	Grip-Starter Rope	137	693981	Gasket-Float Bowl			----- Note -----
65	690837	Screw (Rewind Starter)	146	690979	Key-Timing			692618 Bracket-Control (Used Before Code Date 05110200).
78	691108	Screw (Flywheel Guard)	163★◆△	691894	Gasket-Air Cleaner			Used on Type No(s). 0143, 0158.
95	691636	Screw (Throttle Valve)	163A★◆△	692667	Gasket-Air Cleaner			----- Note -----
97	499682	Shaft-Throttle (Metal)	187	791766	Line-Fuel (Cut to Required Length)			692618 Bracket-Control (Used Before Code Date 05110200).
		----- Note -----	188	691147	Screw (Control Bracket)			Used on Type No(s). 0143, 0158.
		790121 Shaft-Throttle (Plastic)	190	690940	Screw (Fuel Tank)			----- Note -----
104	691242	Pin-Float Hinge	192	694543	Adjuster-Rocker Arm			692618 Bracket-Control (Used Before Code Date 05110200).
117	498981	Jet-Main (Standard) (Used After Code Date 03110600).	202	691303	Link-Mechanical Governor			Used on Type No(s). 0143, 0158.
		----- Note -----	209A	690319	Spring-Governor	222J	792404	Bracket-Control (Used After Code Date 05110100).
		498978 Jet-Main (Standard) (Used Before Code Date 03110700).			----- Note -----			----- Note -----
		----- Note -----			691851 Spring-Governor (Used on Type No(s). 0100, 0101, 0108, 0109, 0200, 0502.)			697614 Bracket-Control (Used Before Code Date 05110200).
118	497466	Jet-Main (High Altitude) (Used After Code Date 03110600).			791156 Spring-Governor (Used on Type No(s). 0146.)	227	691467	Lever-Governor Control
		----- Note -----			691291 Spring-Governor (Used on Type No(s). 0110, 0113, 0114, 0115, 0116, 0117, 0118, 0135, 0136, 0139, 0145.)	238	691300	Cap-Valve
		498975 Jet-Main (High Altitude) (Used Before Code Date 03110700).				259	691189	Bracket-Casing Clamp
						265A	690798	Clamp-Casing
						267	691044	Screw (Casing Clamp)
						268	691025	Casing-Control Wire (Cut To Required Length)

★ Included in Engine Gasket Set-Ref. No.358.

● Included in Carburetor Overhaul Kit-Ref. No. 121.

◆ Included in Carburetor Gasket Set-Ref. No. 977.

△ Included in Valve Gasket Set-Ref. No 1095.

Illustrations cover a range of engines. Parts shown without corresponding text may not be used on your specific engine.

126600

REF. NO.	PART NO.	DESCRIPTION	REF. NO.	PART NO.	DESCRIPTION	REF. NO.	PART NO.	DESCRIPTION
269	691026	Wire-Control (Cut To Required Length)	365	691129	Screw (Carburetor) (Used After Code Date 05110100).	601	791850	Clamp-Hose
270	691027	Nut (Control Wire Casing)			----- Note -----	608	497680	Starter-Rewind
271	691028	Lever-Control		691136	Screw (Carburetor) (Used Before Code Date 05110200).	613	691108	Screw (Muffler)
276	♦♦271716	Washer-Sealing	383	19374S	Wrench-Spark Plug	613A	691140	Screw (Muffler)
287	690940	Screw (Dipstick Tube)	404	690272	Washer (Governor Crank)	615	690340	Retainer-Governor Shaft
300	694248	Muffler	425A	690244	Screw (Air Cleaner Cover)	616	698801	Crank-Governor
300B	699769	Muffler	443B	690255	Screw (Air Cleaner Primer Base)	619	691108	Screw (Cylinder Head Plate)
304	499677	Housing-Blower ----- Note ----- 499676 Housing-Blower Used on Type No(s). 0143, 0158. 695976 Housing-Blower Used on Type No(s). 0116, 0117, 0118, 0139, 0141, 0145, 0157, 0174, 0502.	445A	697029	Filter-Air Cleaner Cartridge	621	692310	Switch-Stop
			455	791960	Cup-Flywheel	633A♦♦691321		Seal-Choke/Throttle Shaft
			456	692299	Plate-Pawl Friction	635	66538S	Boot-Spark Plug
			459	281505S	Ratchet-Pawl	651	690345	Screw (Starter Gear Cover)
			474	691991	Alternator	670	692294	Spacer-Fuel Tank
			505	691251	Nut (Governor Control Lever)	676C	497682	Deflector-Muffler
						677	690661	Screw (Muffler Deflector)
305	691108	Screw (Blower Housing)	510	795093	Drive-Starter	684	690345	Screw (Breather Passage Cover)
306	691232	Shield-Cylinder	513	692358	Clutch-Drive	689	691855	Spring-Friction
307	690345	Screw (Cylinder Shield)	523	499621	Dipstick	697	691127	Screw (Drive Cap)
309	695550	Motor-Starter (Used Before Code Date 07052900).	524	★692296	Seal-Dipstick Tube	718	690959	Pin-Locating
			525	495265	Tube-Dipstick	741	794388	Gear-Timing (Use Without Woodruff Key)
309A	795092	Motor-Starter (Used After Code Date 07052800).	529	692937	Grommet			(Used After Code Date 07093000).
			544	690786	Armature-Starter			----- Note -----
			545	492919	Washer Set (Starter Motor)			790345 Gear-Timing (Use Without Woodruff Key)
310	692327	Bolt (Starter Motor)	562	691119	Bolt (Governor Control Lever)			(Used Before Code Date 07100100).
332	690662	Nut (Flywheel)	584	697734	Cover-Breather Passage			691830 Gear-Timing (Uses Woodruff Key)
333	802574	Armature-Magneto	585	★691879	Gasket-Breather Passage	742	93941	Retainer-E Ring
334	691061	Screw (Magneto Armature)	592	690800	Nut (Rewind Starter)	745	691648	Screw (Brake)
337	692051	Plug-Spark	597	691696	Screw (Pawl Friction Plate)	783	691918	Gear-Pinion
356	692390	Wire-Stop				783A	691269	Gear-Pinion
357	692191	Key-Drive Pulley						
358	792384	Gasket Set-Engine						
363	19069	Puller-Flywheel						

★ Included in Engine Gasket Set-Ref. No.358.

● Included in Carburetor Overhaul Kit-Ref. No. 121.

♦ Included in Carburetor Gasket Set-Ref. No. 977.

△ Included in Valve Gasket Set-Ref. No 1095.

Illustrations cover a range of engines. Parts shown without corresponding text may not be used on your specific engine.

REF. NO.	PART NO.	DESCRIPTION	REF. NO.	PART NO.	DESCRIPTION	REF. NO.	PART NO.	DESCRIPTION		
784	795095	Cover–Starter Gear	868	★△692044	Seal–Valve	966B	690243	Base–Air Cleaner Primer		
785	692352	Gasket–Starter Cover			----- Note -----	967A	273356S	Filter–Pre Cleaner		
789	696547	Harness–Wiring (Used After Code Date 00040600).			691891 Seal–Valve Used on Type No(s). 0108, 0109.	968A	691342	Cover–Air Cleaner		
		----- Note -----	883	★△691893	Gasket–Exhaust	968B	692435	Cover–Air Cleaner		
		691372 Harness– Wiring (Used Before Code Date 00040700).	886	696268	Gasket Kit–Cylinder Head/Plate	968C	692692	Cover–Air Cleaner		
		696547 Harness– Wiring Used on Type No(s). 0115, 0162.	910	691094	Stud (Alternator)	969	691138	Screw (Blower Housing Cover)		
801	690782	Cap–Drive	914	691108	Screw (Rocker Cover)	972	699374	Tank–Fuel (Plastic)		
802	695267	Cap–End (Used After Code Date 00040600).	921	692699	Cover–Blower Housing	975	493640	Bowl–Float		
		----- Note -----	921A	699633	Cover–Blower Housing	976	694395	Primer–Carburetor		
		695975 Cap–End (Used Before Code Date 00040700).	922	691831	Spring–Brake	977	792385	Gasket Set–Carburetor		
803	695266	Housing–Starter (Used After Code Date 00040600).	922A	692135	Spring–Brake	993	★△694088	Gasket–Cylinder Head Plate		
		----- Note -----	923	691994	Brake	1005	691346	Fan–Flywheel		
		695975 Housing– Starter (Used Before Code Date 00040700).	923A	695891	Brake	1019	695259	Kit–Label		
830	694544	Stud–Rocker Arm			----- Note -----	1022	★△691890	Gasket–Rocker Cover		
832	691466	Guard–Muffler			695891 Brake (Used Before Code Date 08050100). Used on Type No(s). 0141, 0502.	1023	499624	Cover–Rocker		
832C	695593	Guard–Muffler	923B	796136	Brake (Used After Code Date 08043000). Used on Type No(s). 0141, 0502.	1026	692045	Rod–Push		
836	691147	Screw (Muffler Guard)			925	795403	Cover–Linkage (Used After Code Date 07072200).	1029	691230	Arm–Rocker
836A	697551	Screw (Muffler Guard)			----- Note -----	1034	691343	Guide–Push Rod		
842	★691031	Seal–O Ring (Dipstick Tube)	930A	692675	Guard–Rewind	1036		Label–Emissions (Available From A Briggs & Statton Authorized Dealer)		
847	692047	Dipstick/Tube Assembly	930B	692691	Guard–Rewind	1058	277102	Operator’s Manual		
851	493880S	Terminal–Spark Plug	935	499421	Switch–Interlock	1059	692311	Kit–Screw/Washer		
853	695268	Adapter–Wire	937	691325	Spline–Starter	1095	792386	Gasket Set–Valve		
			957	692046	Cap–Fuel Tank (Plastic)	1119	692979	Screw (Alternator)		
			957B	699985	Cap–Fuel Tank (Plastic)	1160	690345	Screw (Interlock Switch)		
					690595 Cover– Linkage (Used Before Code Date 07072300).	1210	498144	Pulley/Spring Assembly (Pulley)		
					930A 692675 Guard–Rewind	1211	498144	Pulley/Spring Assembly (Spring)		
					930B 692691 Guard–Rewind	1319	794467	Label–Warning		
					935 499421 Switch–Interlock	1330	272147	Manual–Repair		
					937 691325 Spline–Starter					
					957 692046 Cap–Fuel Tank (Plastic)					
					957B 699985 Cap–Fuel Tank (Plastic)					

★ Included in Engine Gasket Set–Ref. No.358.

● Included in Carburetor Overhaul Kit–Ref. No. 121.

◆ Included in Carburetor Gasket Set–Ref. No. 977.

△ Included in Valve Gasket Set–Ref. No 1095.

Illustrations cover a range of engines. Parts shown without corresponding text may not be used on your specific engine.

Not for
Reproduction

