



Illustrated Parts List

Model Series

15C100

TYPE NUMBERS
0007 through 8939.

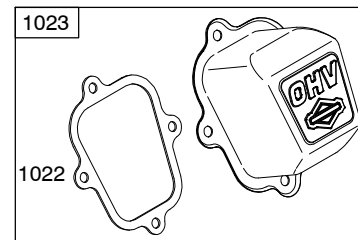
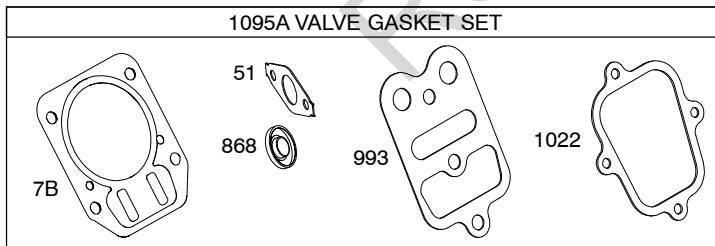
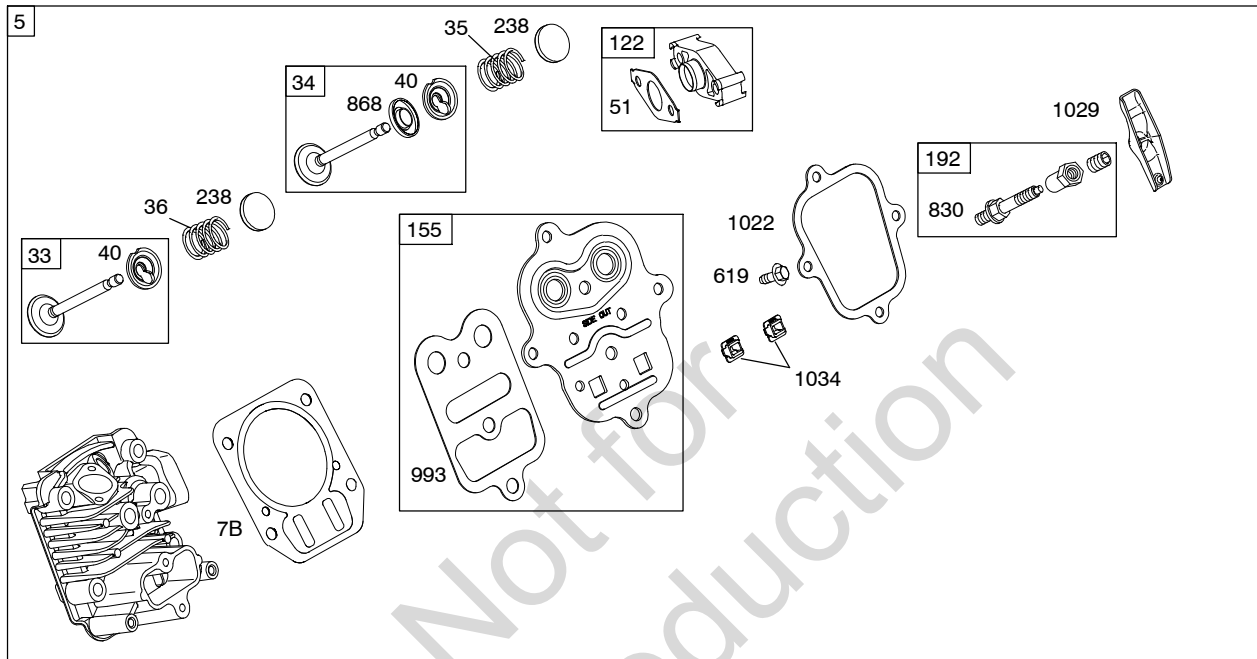
TABLE OF CONTENTS

Blower Housing/Shrouds	6
Camshaft	2
Carburetor	4
Controls	5
Crankcase Cover	2
Crankshaft	2
Cylinder	2
Cylinder Head	3
Electric Starter	5
Exhaust System	6
Flywheel	6
Fuel Supply	4
Governor Spring	5
Ignition	5
Kits/Gaskets - Carburetor	4
Kits/Gaskets - Engine	2
Kits/Gaskets - Valves	3
Lubrication	2
Piston Group	2
Rewind Starter	5

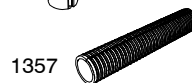
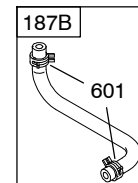
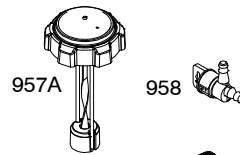
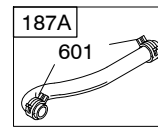
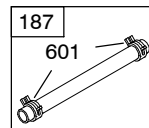
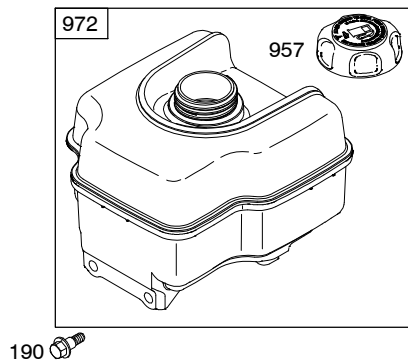
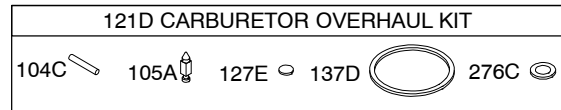
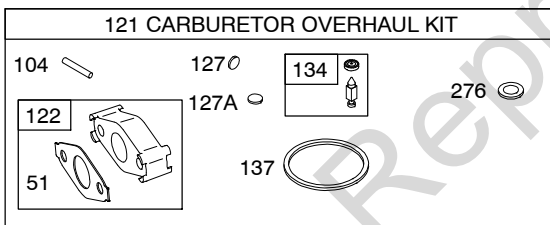
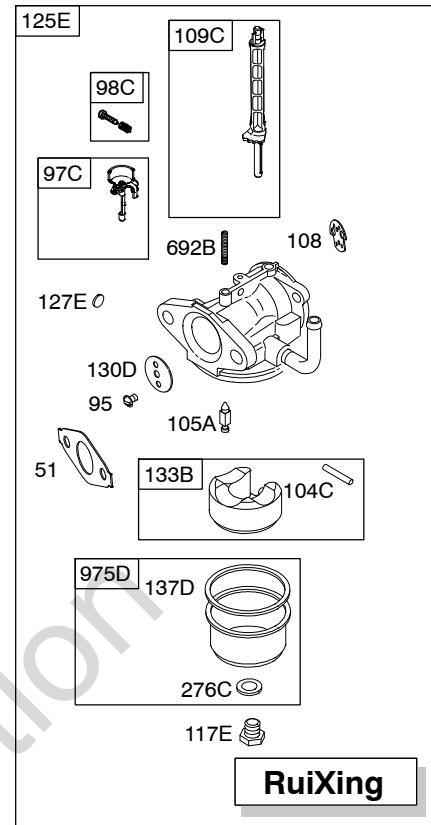
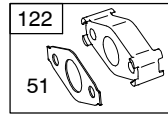
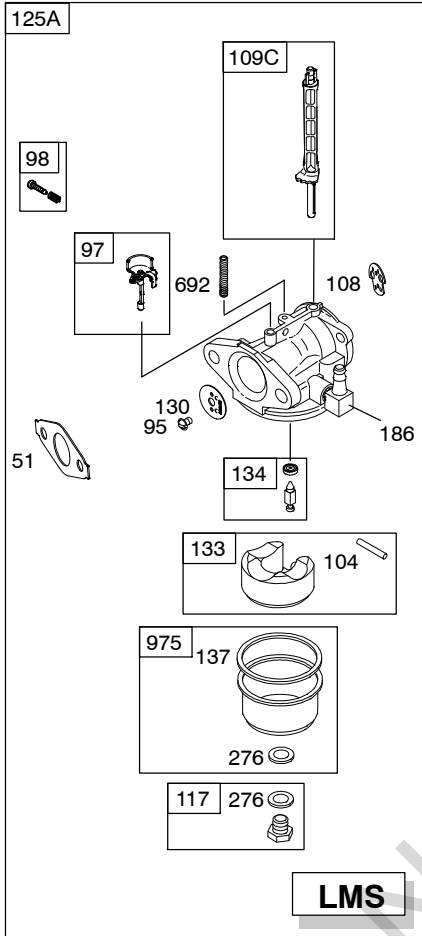


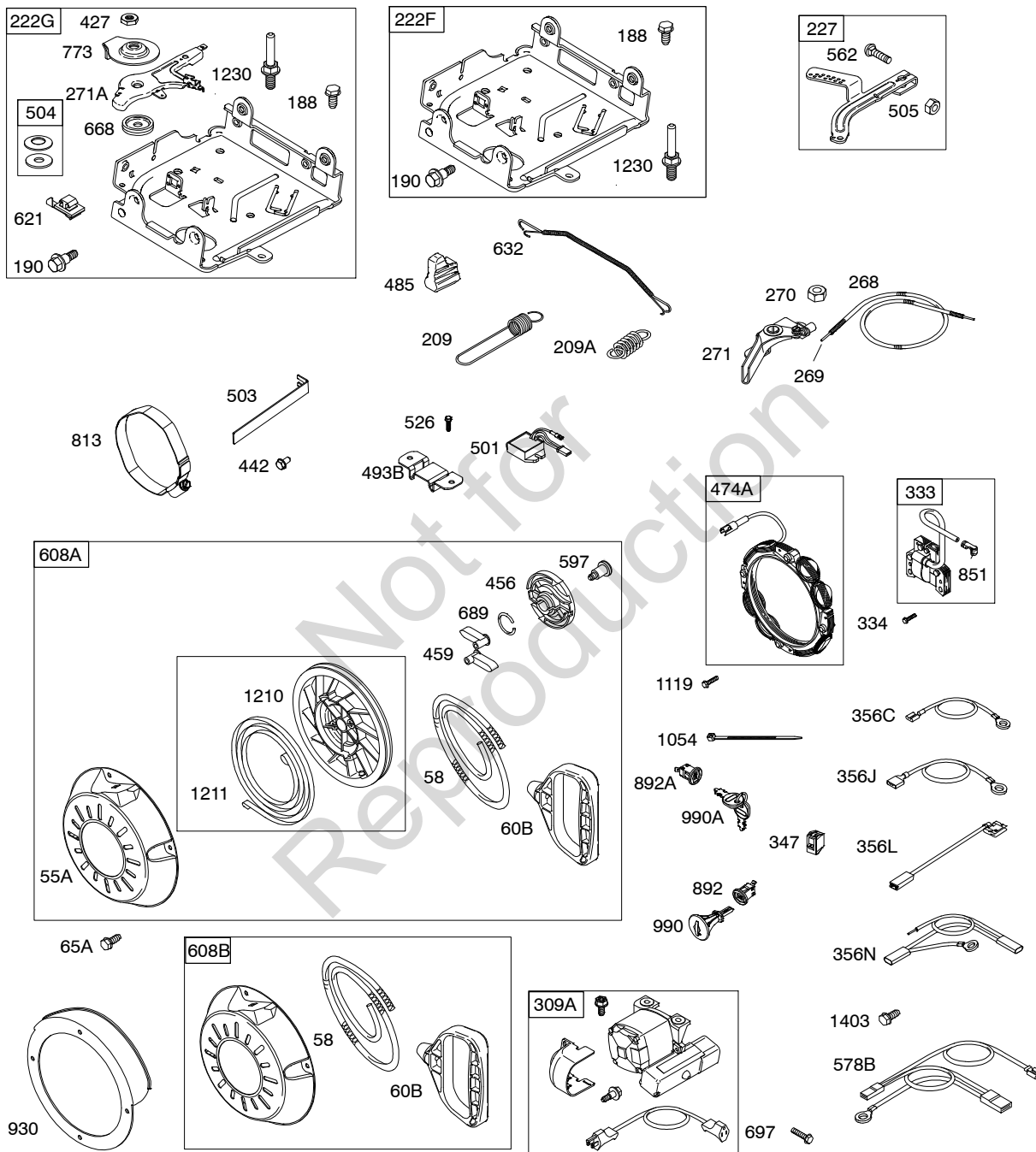
PRINTED IN U.S.A.

COPYRIGHT by BRIGGS & STRATTON CORPORATION
All rights reserved. No part of this material may be reproduced or transmitted, in any form or by any means, electronic or mechanical, including photocopying, recording or by any information storage and retrieval system, without permission in writing from Briggs & Stratton Corporation.



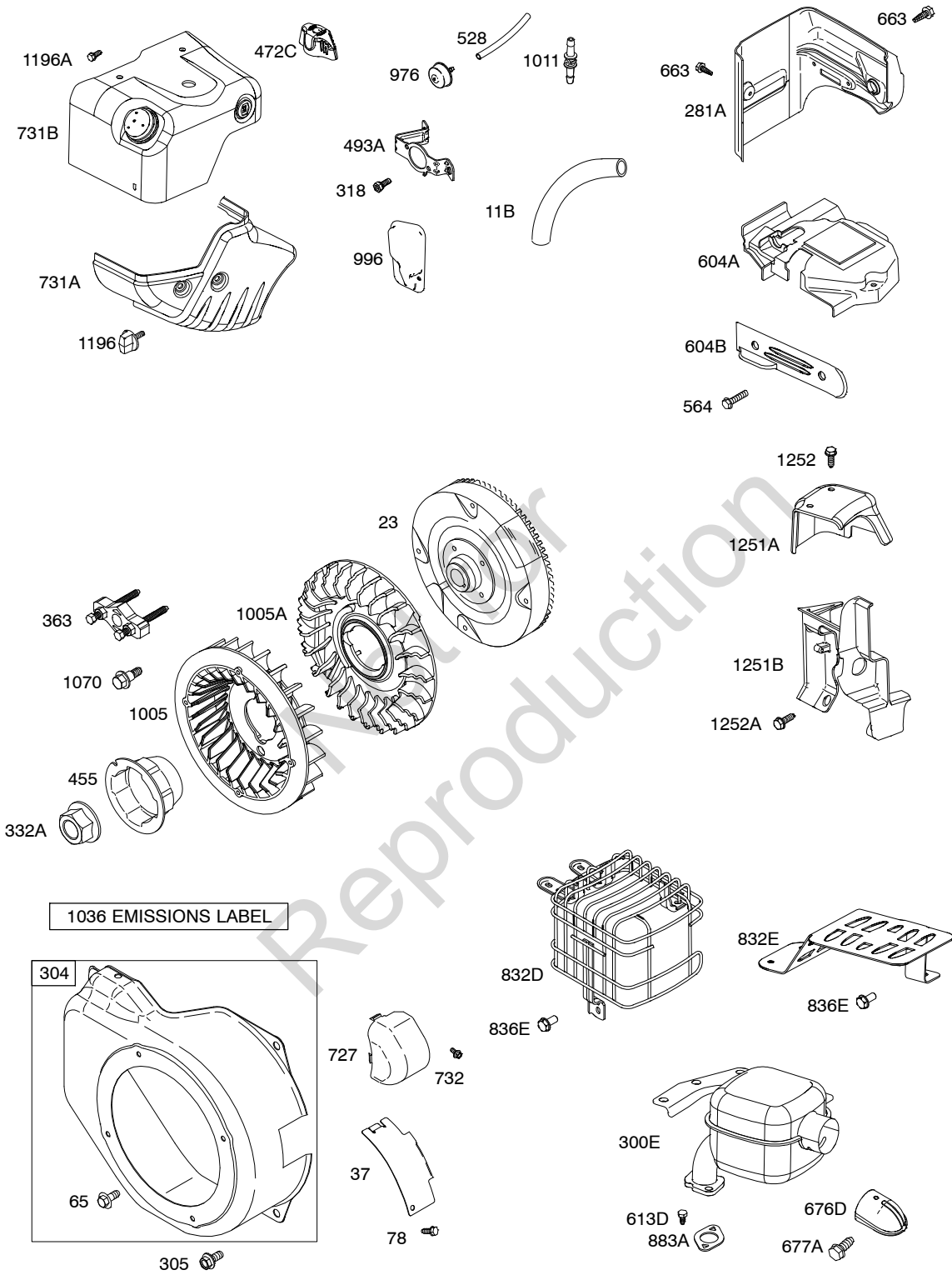
Illustrations cover a range of engines. Parts shown without corresponding text may not be used on your specific engine.
 3946-3 Assemblies include all parts shown in frames. 11/08/2010





Illustrations cover a range of engines. Parts shown without corresponding text may not be used on your specific engine.

15C100



Illustrations cover a range of engines. Parts shown without corresponding text may not be used on your specific engine.
3946-6 Assemblies include all parts shown in frames. 11/08/2010

REF. NO.	PART NO.	DESCRIPTION	REF. NO.	PART NO.	DESCRIPTION	REF. NO.	PART NO.	DESCRIPTION
1	794188	Cylinder Assembly	17	692517	Bearing-Ball	34	499641	Valve-Intake
2	399269	Kit-Bushing/Seal (Magneto Side)	18	699804	Cover-Crankcase ----- Note -----	35	691304	Spring-Valve (Intake)
3	★299819S	Seal-Oil (Magneto Side)		699696	Cover-Crankcase Used on Type No(s). 0022, 0124, 0125, 0126, 0134, 0135, 0136, 0138, 0139, 0144, 0147, 0612, 0613, 0614, 0661, 0662, 0682, 0683, 0828, 1531.	36	691304	Spring-Valve (Exhaust)
5	791720	Head-Cylinder	18A	699672	Cover-Crankcase	37	699661	Guard-Flywheel
7B	★Ø791716	Gasket-Cylinder Head	18B	699677	Cover-Crankcase	40	692194	Retainer-Valve
11B	695745	Tube-Breather	20	★692550	Seal-Oil (PTO Side)	45	690977	Tappet-Valve
12	★699485	Gasket-Crankcase	20A	★691952	Seal-Oil (PTO Side) (Auxiliary Drive)	46	693404	Camshaft
13	699482	Screw (Cylinder Head)	21	281658S	Cap-Oil Fill	46A	695285	Camshaft
15	691686	Plug-Oil Drain	22	699478	Screw (Crankcase Cover/ Sump)	51	★♦♦Ø791718	Gasket-Intake
15B	695757	Plug-Oil Drain	23	699516	Flywheel	55A	696710	Housing-Rewind Starter
16	797070	Crankshaft ----- Note -----	24	222698S	Key-Flywheel	58	693389	Rope-Starter (Cut To Required Length)
	791721	Crankshaft Used on Type No(s). 0939, 1212, 1240, 1365, 8240, 8939.	25	791786	Piston Assembly (Standard) ----- Note -----	60B	699334	Grip-Starter Rope
	795116	Crankshaft Used on Type No(s). 0612, 0613, 0614, 0661, 0662, 0682, 0683.		791791	Piston Assembly (.020" Oversize)	65	699228	Screw (Rewind Starter)
	797253	Crankshaft Used on Type No(s). 0023, 0100, 0127, 0128, 0129, 0130, 0132.	26	791787	Ring Set (Standard) ----- Note -----	65A	699851	Screw (Rewind Starter)
	797077	Crankshaft Used on Type No(s). 0007, 0020, 0134, 0135, 0136, 0138, 0139, 0144, 0147, 1463, 1464, 1465, 1468, 1531.		791792	Ring Set (.020" Oversize)	78	699205	Screw (Flywheel Guard)
	797079	Crankshaft Used on Type No(s). 0022, 0828.	27	690975	Lock-Piston Pin	95	691636	Screw (Throttle Valve)
	797072	Crankshaft Used on Type No(s). 0145, 0146.	28	690229	Pin-Piston	97	690024	Shaft-Throttle
			29B	791783	Rod-Connecting	97C	797628	Shaft-Throttle
			32	791784	Screw (Connecting Rod)	98	398185	Kit-Idle Speed
			33	499642	Valve-Exhaust	98C	797156	Kit-Idle Speed
						104	♦691242	Pin-Float Hinge
						104C	♦797622	Pin-Float Hinge
						105A	797139	Valve-Choke
						108	695807	Valve-Choke
						109C	791954	Shaft-Choke
						117	694176	Jet-Main (Standard)
						117E	798930	Jet-Main (Standard)
						118	695042	Jet-Main (High Altitude)
						118E	798661	Jet-Main (High Altitude)

★ Included in Engine Gasket Set-Ref. No.358.

● Included in Carburetor Overhaul Kit-Ref. No. 121.

♦ Included in Carburetor Gasket Set-Ref. No. 977.

Ø Included in Valve Gasket Set-Ref. No 1095.

Illustrations cover a range of engines. Parts shown without corresponding text may not be used on your specific engine.

15C100

REF. NO.	PART NO.	DESCRIPTION	REF. NO.	PART NO.	DESCRIPTION	REF. NO.	PART NO.	DESCRIPTION
121	792006	Kit-Carburetor Overhaul	187	791766	Line-Fuel (Cut to Required Length)	188	699479	Screw (Control Bracket)
121D	797634	Kit-Carburetor Overhaul	187A	798908	Line-Fuel (Molded) (Used After Code Date 10070900).	190	699220	Screw (Fuel Tank)
122	●791717	Spacer-Carburetor				192	797440	Adjuster-Rocker Arm (Metric) (Used After Code Date 09061700).
125A	794588	Carburetor (Used Before Code Date 10071000). ----- Note ----- 794588 Carburetor (Used Before Code Date 10071300). Used on Type No(s) 0131, 0136.						----- Note ----- 694543 Adjuster-Rocker Arm (SAE) (Used Before Code Date 09061800).
125E	798918	Carburetor (Used After Code Date 10070900). ----- Note ----- 798918 Carburetor (Used After Code Date 10071200). Used on Type No(s) 0131, 0136. 798918 Carburetor Used on Type No(s) 1365.	187B	798907	Line-Fuel (Molded) (Used After Code Date 10070900). ----- Note ----- 791867 Line-Fuel (Molded) (Used Before Code Date 10071300). Used on Type No(s) 0136. 791867 Line-Fuel (Molded) (Used Before Code Date 10071000). 798907 Line-Fuel (Molded) Used on Type No(s) 1365. 798907 Line-Fuel (Molded) (Used After Code Date 10071200). Used on Type No(s) 0131. 791874 Line-Fuel (Molded) (Used Before Code Date 10071300). Used on Type No(s) 0131.			
127	●694468	Plug-Welch						
127A	●691739	Plug-Welch						
127E	●797633	Plug-Welch						
130	691181	Valve-Throttle						
130D	797630	Valve-Throttle						
133	398187	Float-Carburetor						
133B	797136	Float-Carburetor						
134	●398188	Kit-Needle/Seat						
137	●◆693981	Gasket-Float Bowl						
137D	●◆798932	Gasket-Float Bowl						
155	797442	Plate-Cylinder Head (Metric) (Used After Code Date 09061700). ----- Note ----- 698214 Plate-Cylinder Head (SAE) (Used Before Code Date 09061800).						
146	690979	Key-Timing						
186	692317	Connector-Hose						

★ Included in Engine Gasket Set-Ref. No.358.

● Included in Carburetor Overhaul Kit-Ref. No. 121.

◆ Included in Carburetor Gasket Set-Ref. No. 977.

⊘ Included in Valve Gasket Set-Ref. No 1095.

Illustrations cover a range of engines. Parts shown without corresponding text may not be used on your specific engine.

REF. NO.	PART NO.	DESCRIPTION	REF. NO.	PART NO.	DESCRIPTION	REF. NO.	PART NO.	DESCRIPTION
209	692571	Spring-Governor ----- Note ----- 693206 Spring-Governor Used on Type No(s). 1365. 693710 Spring-Governor (Used After Code Date 10071200). Used on Type No(s). 0136. 693206 Spring-Governor (Used After Code Date 10071200). Used on Type No(s). 0131. 692571 Spring-Governor (Used Before Code Date 10071300). Used on Type No(s). 0131, 0136. 693710 Spring-Governor (Used After Code Date 10070900). Used on Type No(s). 0134,0135,0138,0139,0614,0661,0682. 693206 Spring-Governor (Used After Code Date 10070900). Used on Type No(s). 0100,0116,0117,0118,0120,0121,0122,0123,0612,0613,0662,0683,0828,0939,1212,1235,1240,1465,8212,8240,8365,8939. 692571 Spring-Governor (Used Before Code Date 10071000). Used on Type No(s). 0100,0116,0117,0118,0120,0121,0122,0123,0134,0135,0138,0139,0612,0613,0614,0661,0662,0682,0683,0828,0939,1212,1235,1240,1465,8212,8240,8365,8939.	219	693578	Gear-Governor	305	699481	Screw (Blower Housing)
			220	691724	Washer (Governor Gear)	306A	695710	Shield-Cylinder
			222F	793100	Bracket-Control	307	699483	Screw (Cylinder Shield)
			222G	793109	Bracket-Control	307A	699234	Screw (Cylinder Shield)
			227	692573	Lever-Governor Control	307B	790557	Screw (Cylinder Shield)
			238	691300	Cap-Valve	309A	793667	Motor-Starter Used on Type No(s). 0018, 0100, 0112, 0114, 0116, 0117, 0120, 0122, 0124, 0126, 0127, 0129, 0131, 0136, 0137, 0141, 0142, 0144, 0145, 0147, 0612, 0613, 0614, 0661, 0662, 0682, 0683, 0828, 0939, 1235, 1240, 1365, 1463, 1464, 1465, 1531, 8240, 8365, 8939.
			268	691025	Control Wire Casing (Cut to Required Length)	----- Note -----		
			269	691026	Control Wire (Cut to Required Length)	699786	Motor-Starter Used on Type No(s). 0111, 0113, 0118, 0121, 0123, 0125, 0128, 0130, 0132, 0140, 0143, 0146, 1212, 1468, 8212.	
			270	691027	Nut (Control Wire Casing)	796238	Motor-Starter Used on Type No(s). 0017, 0020, 0022, 0023, 0135, 0139.	
			271	691028	Lever-Control	318	798649	Screw (Mounting Bracket) (Metric)
			271A	698038	Lever-Control	----- Note -----		
			276	271716	Washer-Sealing	690370	Screw (Mounting Bracket) (SAE)	
			276C	797632	Washer-Sealing			
			281A	793122	Panel-Control ----- Note ----- 793133 Panel-Control Used on Type No(s). 0017, 0018, 0020, 0022, 0023, 0124, 0125, 0126, 0127, 0128, 0129, 0130, 0132, 0135, 0136, 0139, 0140, 0141, 0143, 0145, 0146, 0144, 1468, 1531.			
			287	699629	Screw (Dipstick Tube)			
			300E	796422	Muffler (Used After Code Date 08113000).			
					----- Note ----- 791940 Muffler (Used Before Code Date 08120100).			
			304	699598	Housing-Blower			
209A	691278	Spring-Governor						

★ Included in Engine Gasket Set-Ref. No.358.

● Included in Carburetor Overhaul Kit-Ref. No. 121.

◆ Included in Carburetor Gasket Set-Ref. No. 977.

⊘ Included in Valve Gasket Set-Ref. No 1095.

Illustrations cover a range of engines. Parts shown without corresponding text may not be used on your specific engine.

15C100

REF. NO.	PART NO.	DESCRIPTION	REF. NO.	PART NO.	DESCRIPTION	REF. NO.	PART NO.	DESCRIPTION
332A	792723	Nut (Flywheel)	474A	793640	Alternator ----- Note ----- 791743 Alternator Used on Type No(s). 0117, 0118, 0123, 0126, 0127, 0130, 0612. 793118 Alternator Used on Type No(s). 0022, 0613, 0614, 0661, 0662, 0682, 0683, 0828. 797090 Alternator Used on Type No(s). 0023, 0120, 0121, 0122, 0124, 0125, 0128, 0129, 0132, 0137, 0140, 0141, 0143, 0144, 0145, 0146, 1463, 1464, 1465, 1468, 1531. 698314 Alternator Used on Type No(s). 0018, 0131, 0142.	524	281370S	Seal-Dipstick Tube
333	695711	Armature-Magneto				526	690297	Screw (Regulator)
334	699477	Screw (Magneto Armature)				528	793006	Hose-Primer
337	491055S	Plug-Spark (Resistor) ----- Note ----- 691043 Plug-Spark (EMS)				552	692346	Bushing-Governor Crank
347	698338	Switch-Rocker ----- Note ----- 691995 Switch-Rocker Used on Type No(s). 0612.	485	695755	Knob-Control	562	691119	Bolt (Governor Control Lever)
356C	695630	Wire-Stop	493A	695744	Bracket-Mounting	564	699854	Screw (Control Cover)
356J	692603	Wire-Stop	493B	691177	Bracket-Mounting	578B	791956	Wire Assembly
356L	790552	Wire-Stop	501	698315	Regulator	584	791759	Cover-Breather Passage
358B	791797	Set-Engine Gasket	503	796239	Strap-Starter	585	791760	Gasket-Breather Passage
356N	794819	Wire-Stop	504	694254	Washer Set-Friction	597	691696	Screw (Pawl Friction Plate)
363	19203	Puller-Flywheel	505	691251	Nut (Governor Control Lever)	598	220624	Shim-End Play
365	699484	Screw (Carburetor)	523	798469	Dipstick (Used After Code Date 10022100). ----- Note ----- 790546 Dipstick (Used Before Code Date 10022200). 693618 Dipstick Used on Type No(s). 0007, 0017, 0018, 0020, 0022, 0023, 0134, 0135, 0136, 0138, 0139, 0142, 0144, 0147, 1464, 1468, 1531.	601	791850	Clamp-Hose
383	19374S	Wrench-Spark Plug				604A	793134	Cover-Control
415	693463	Plug				604B	790473	Cover-Control
427	798458	Nut (Control Bracket) (Metric) ----- Note ----- 694255 Nut (Control Bracket) (SAE)				608A	699335	Starter-Rewind (Used Before Code Date 10070100).
442	790282	Screw (Starter Strap)				608B	797430	Starter-Rewind (Used After Code Date 10063000).
455	797431	Cup-Flywheel (Used After Code Date 10063000). ----- Note ----- 692591 Cup-Flywheel (Used Before Code Date 10070100).				613D	699209	Screw (Muffler)
456	692299	Plate-Pawl Friction				615	692576	Retainer-Governor Shaft
459	281505S	Pawl-Ratchet				616	692547	Crank-Governor
472C	791948	Knob-Choke Shaft				619	699481	Screw (Cylinder Head Plate)
						621	692310	Switch-Stop
						632	692653	Spring/Link- Mechanical Governor
						635	692076	Boot-Spark Plug
						635A	692927	Boot-Sparkplug

★ Included in Engine Gasket Set-Ref. No.358.

● Included in Carburetor Overhaul Kit-Ref. No. 121.

◆ Included in Carburetor Gasket Set-Ref. No. 977.

⊘ Included in Valve Gasket Set-Ref. No 1095.

Illustrations cover a range of engines. Parts shown without corresponding text may not be used on your specific engine.

REF. NO.	PART NO.	DESCRIPTION	REF. NO.	PART NO.	DESCRIPTION	REF. NO.	PART NO.	DESCRIPTION
663	699854	Screw (Control Panel)	832D	793193	Guard-Muffler	914	699481	Screw (Rocker Cover) (Bottom)
668	694257	Spacer	832E	797003	Guard-Muffler	914A	797444	Screw (Rocker Cover) (Top)(Metric) (Used After Code Date 09061700). ----- Note -----
676D	794213	Deflector-Muffler	836E	699854	Screw (Muffler Guard)			
677A	699776	Screw (Muffler Deflector)	842	691031	Seal-O Ring (Dipstick Tube)			
684	791761	Screw (Breather Passage Cover)	847	798468	Dipstick/Tube Assembly (Used After Code Date 10022100). ----- Note -----			
689	691855	Spring-Friction			790545 Dipstick/Tube Assembly (Used Before Code Date 10022200).	914B	797444	Screw (Rocker Cover) (Center)(Metric) (Used After Code Date 09061700). ----- Note -----
692	690572	Spring-Detent			693617 Dipstick/Tube Assembly Used on Type No(s). 0007, 0017, 0018, 0020, 0022, 0023, 0134, 0135, 0136, 0138, 0139, 0142, 0144, 0147, 1464, 1468, 1531.			
692B	797624	Spring-Detent						
697	793567	Screw (Starter Motor)	851	493880S	Terminal-Spark Plug	930	696709	Guard-Rewind
718	690959	Pin-Locating	868	*Ø692044	Seal-Valve	957	792647	Cap-Fuel Tank (Fresh Start) ----- Note -----
727	698039	Cover-Starter Drive	883A	*691893	Gasket-Exhaust			
731A	794589	Hood-Snow	892	791944	Switch-Key			
731B	793643	Hood-Snow ----- Note ----- 798183 Hood-Snow Used on Type No(s). 0132, 0140, 0143, 0146.	892A	798182	Switch-Key			
732	699200	Screw (Starter Drive Cover)				957A	698109	Cap-Fuel Tank
741	695087	Gear-Timing				958	698180	Valve-Fuel Shut Off (Plastic)
742	692564	Retainer-E Ring				972	694260	Tank-Fuel (Plastic)
746	790278	Gear-Idler				975	493640	Bowl-Float
773	694258	Retainer				975D	798931	Bowl-Float
813	690635	Clamp				976	793382	Primer-Carburetor
830	797441	Stud-Rocker Arm (Metric) (Used After Code Date 09061700). ----- Note ----- 694544 Stud-Rocker Arm (SAE) (Used Before Code Date 09061800).						

★ Included in Engine Gasket Set-Ref. No.358.

● Included in Carburetor Overhaul Kit-Ref. No. 121.

◆ Included in Carburetor Gasket Set-Ref. No. 977.

Ø Included in Valve Gasket Set-Ref. No 1095.

Illustrations cover a range of engines. Parts shown without corresponding text may not be used on your specific engine.

15C100

REF. NO.	PART NO.	DESCRIPTION	REF. NO.	PART NO.	DESCRIPTION	REF. NO.	PART NO.	DESCRIPTION
990	695756	Key-Set	1034	691343	Guide-Push Rod	1210	498144	Pulley/Spring Assembly
990A	798177	Key-Set	1036		Label-Emissions (Available From An Authorized Briggs & Stratton Service Dealer)	1211	498144	Pulley/Spring Assembly (Spring)
993	★∅694088	Gasket-Cylinder Head Plate	1054	280275	Tie-Cable	1230	699847	Screw (Control Bracket)
996	794687	Shield-Carburetor	1058	277104	Operator's Manual	1251A	796421	Shield-Snow (Used After Code Date 08113000).
998	696683	Pipe-Oil (4" Long)			----- Note ----- 279128 Operator's Manual Used on Type No(s). 0132, 0140, 0143, 0146.			----- Note ----- 790555 Shield-Snow (Used Before Code Date 08120100).
		----- Note ----- 792928 Pipe-Oil (2 1/2" Long) 794701 Pipe-Oil (5" Long)						
1005	692592	Fan-Flywheel	1070	699201	Screw (Flywheel Fan)	1251B	790556	Shield-Snow
1005A	794273	Fan-Flywheel	1095A	791798	Gasket Set-Valve	1252	699629	Screw (Snow Shield)
1011	794544	Tube-Vent	1119	699772	Screw (Alternator)	1252A	699491	Screw (Snow Shield)
1019	791811	Kit-Label	1196	696692	Screw (Snow Hood)	1319	794467	Label-Warning
1022	★∅691890	Gasket-Rocker Cover	1196A	699854	Screw (Snow Hood)	1330	272147	Repair Manual
1023	499924	Cover-Rocker Arm				1357	794700	Sleeve-Fuel Line
1026	790287	Rod-Push				1403	699481	Screw (Wire Assembly)
1029	797443	Arm-Rocker (Metric) (Used After Code Date 09061700).						
		----- Note ----- 691230 Arm-Rocker (SAE) (Used Before Code Date 09061800).						

★ Included in Engine Gasket Set-Ref. No.358.

● Included in Carburetor Overhaul Kit-Ref. No. 121.

◆ Included in Carburetor Gasket Set-Ref. No. 977.

∅ Included in Valve Gasket Set-Ref. No 1095.

Illustrations cover a range of engines. Parts shown without corresponding text may not be used on your specific engine.