



Illustrated Parts List

Model Series

20M100

TYPE NUMBERS
0133 thru 1416.

TABLE OF CONTENTS

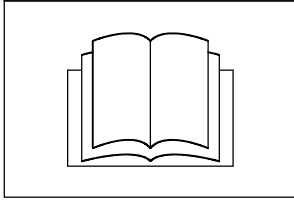
Alternator	9
Blower Housing/Shrouds	6, 7
Camshaft	2
Carburetor	4
Controls	8
Crankcase Cover	2
Crankshaft	2
Cylinder	2
Cylinder Head	3
Electric Starter	9
Exhaust System	5
Flywheel	7
Fuel Supply	9
Gasket Set - Engine	3
Gasket Set - Valve	3
Governor Spring	8
Ignition	9
Kit - Carburetor Overhaul	4
Lubrication	2
Operator's Manual	2
Piston/Rings/Connecting Rod	2
Rewind Starter	7
Valves	3
Warning Label	2



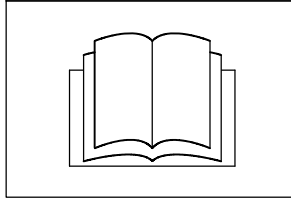
PRINTED IN U.S.A.

COPYRIGHT by BRIGGS & STRATTON CORPORATION
All rights reserved. No part of this material may be reproduced or transmitted, in any form or by any means, electronic or mechanical, including photocopying, recording or by any information storage and retrieval system, without permission in writing from Briggs & Stratton Corporation.

1058 OPERATOR'S MANUAL



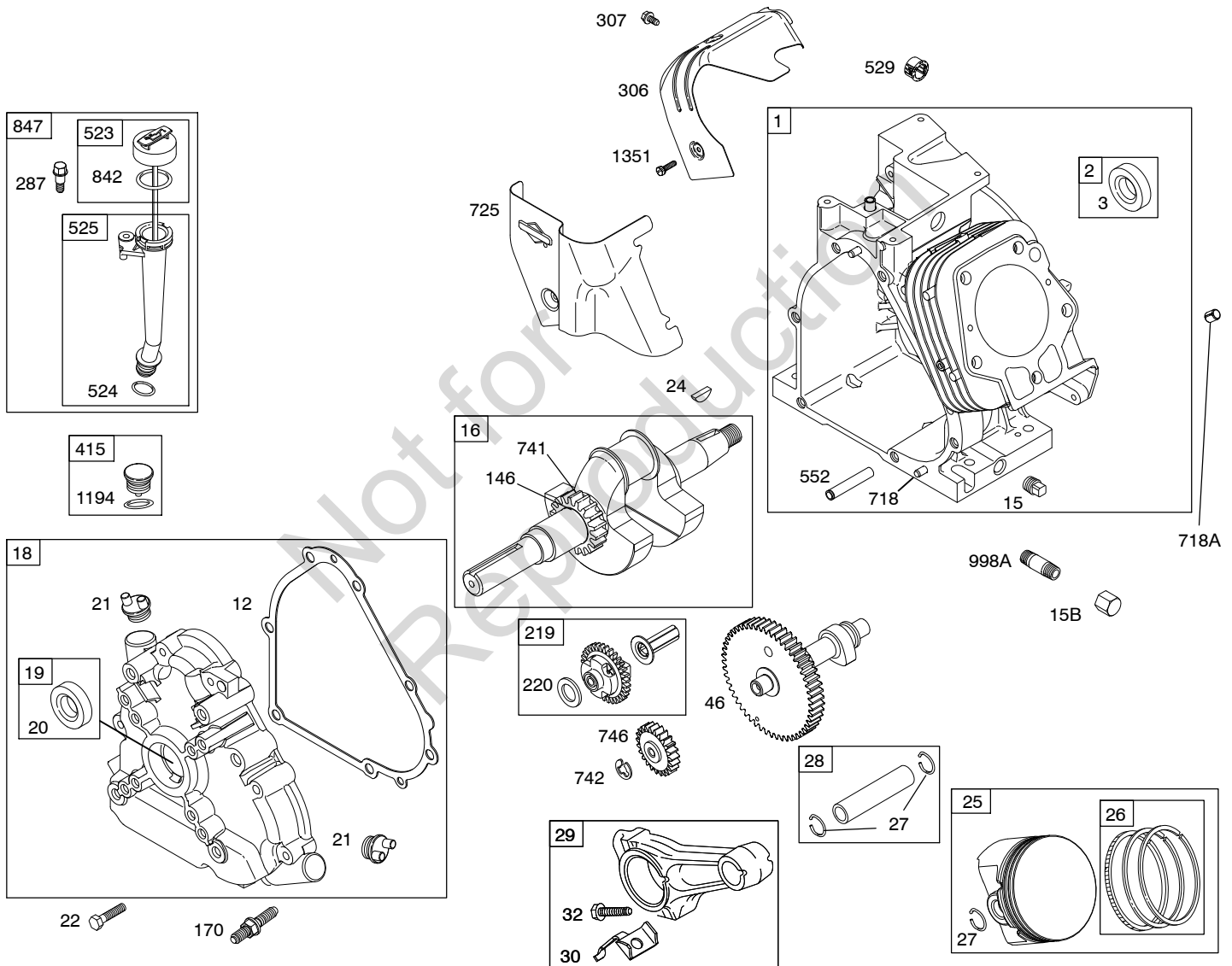
1330 REPAIR MANUAL



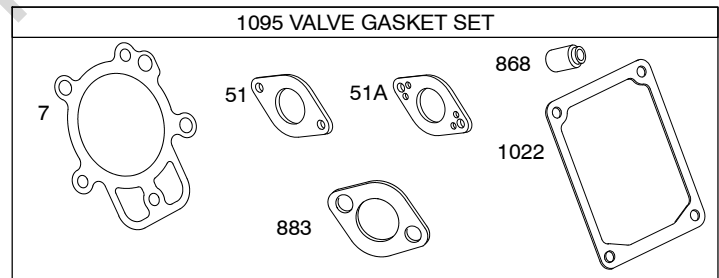
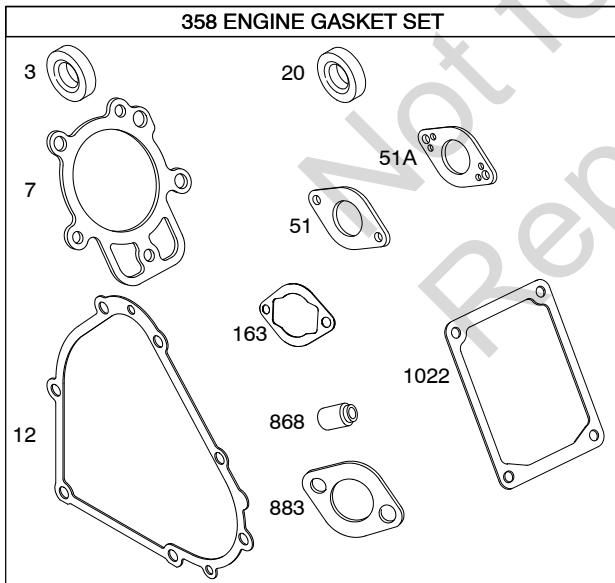
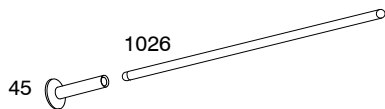
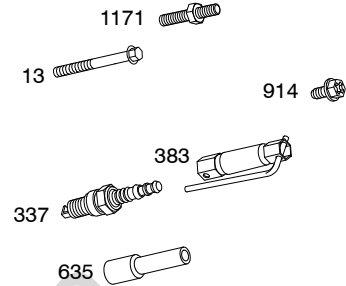
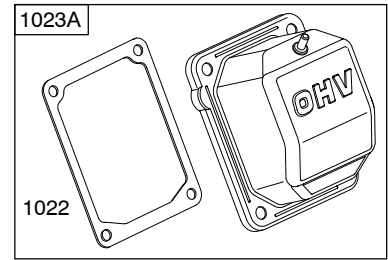
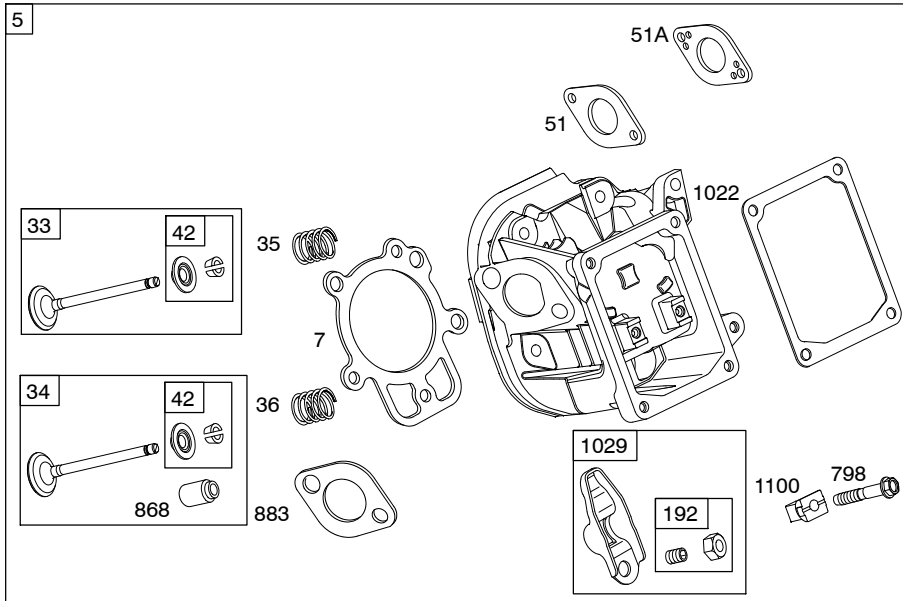
1319 WARNING LABEL

WARNING	
	Read and follow Operating Instructions before running engine.
	Gasoline is flammable. Allow engine to cool at least 2 minutes before refueling.
	Engines emit carbon monoxide, DO NOT run in enclosed area.
	Muffler area temperature may exceed 150°F. Do not touch hot parts.

REQUIRED when replacing parts with warning labels affixed.

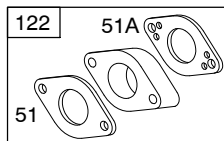
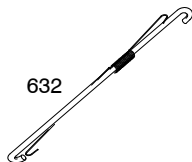
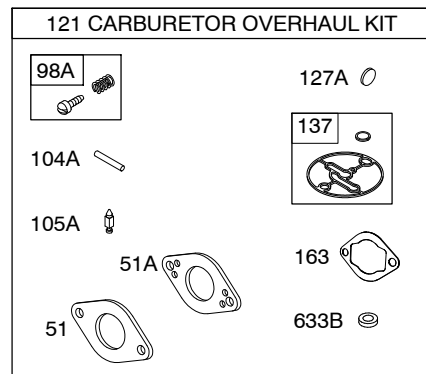
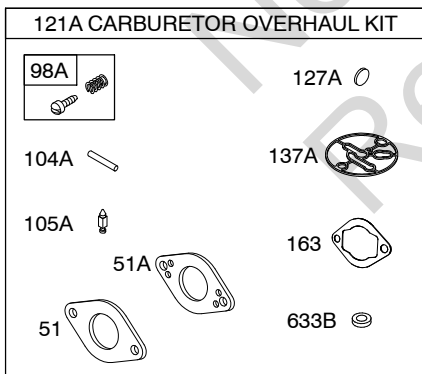
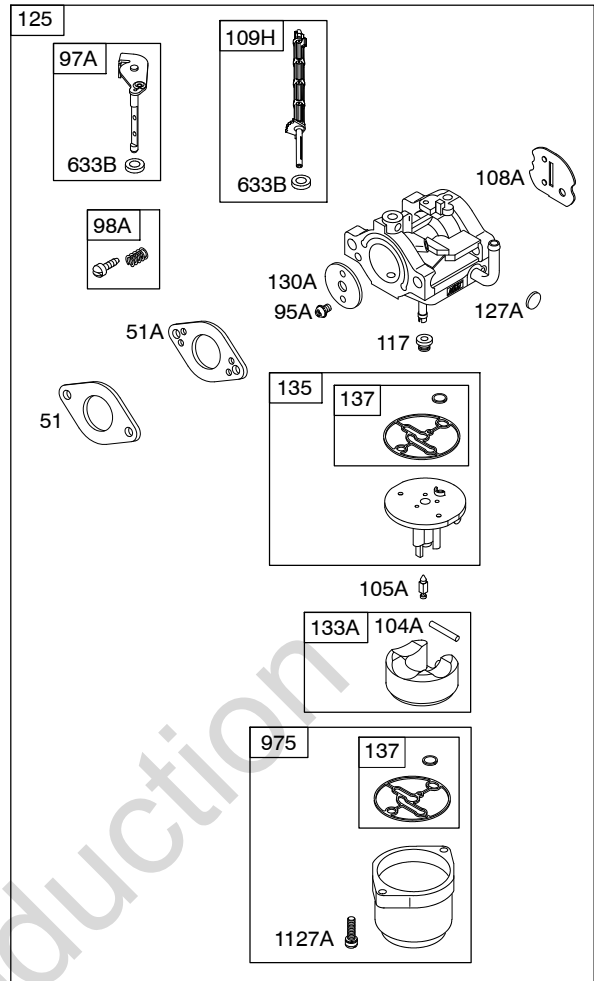
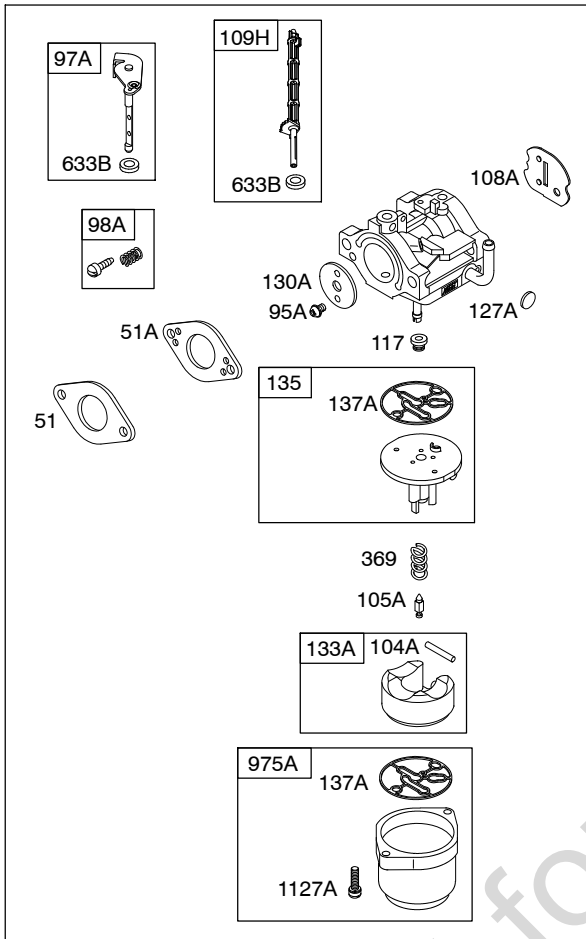


Illustrations cover a range of engines. Parts shown without corresponding text may not be used on your specific engine.
 4002-2 Assemblies include all parts shown in frames. 11/12/2010

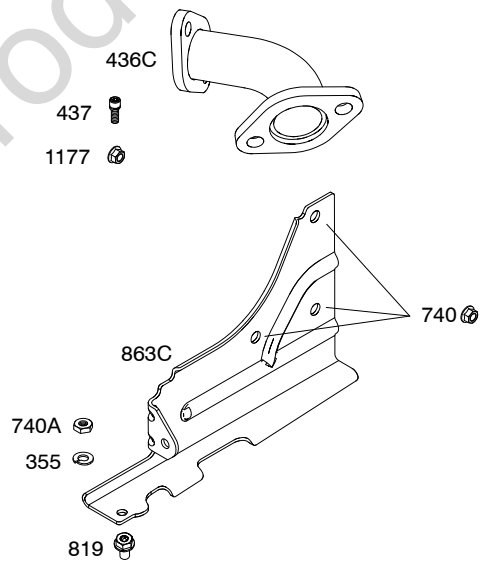
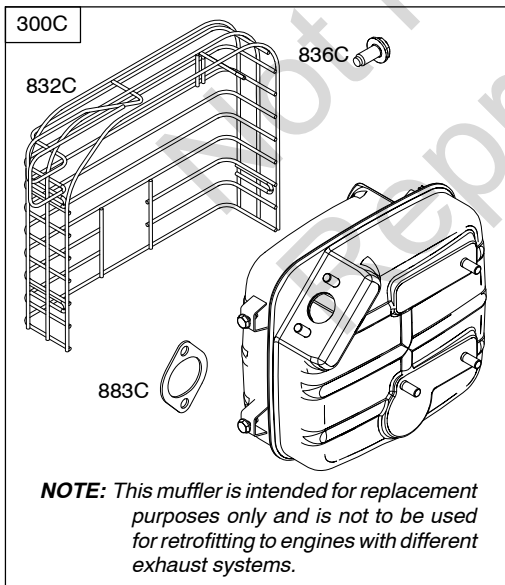
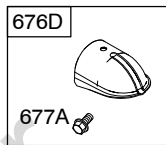
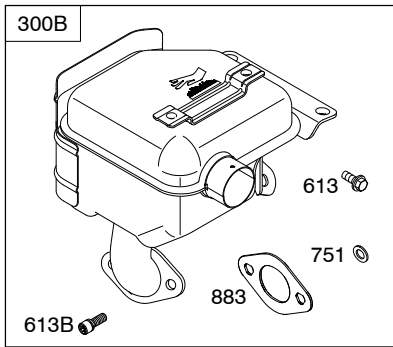
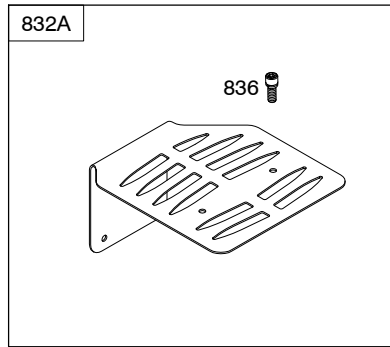
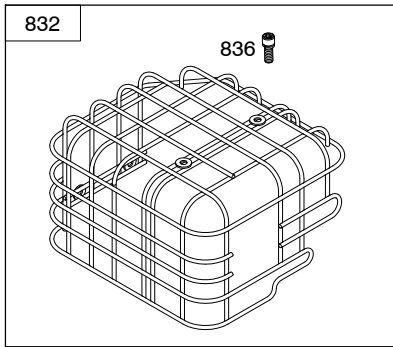


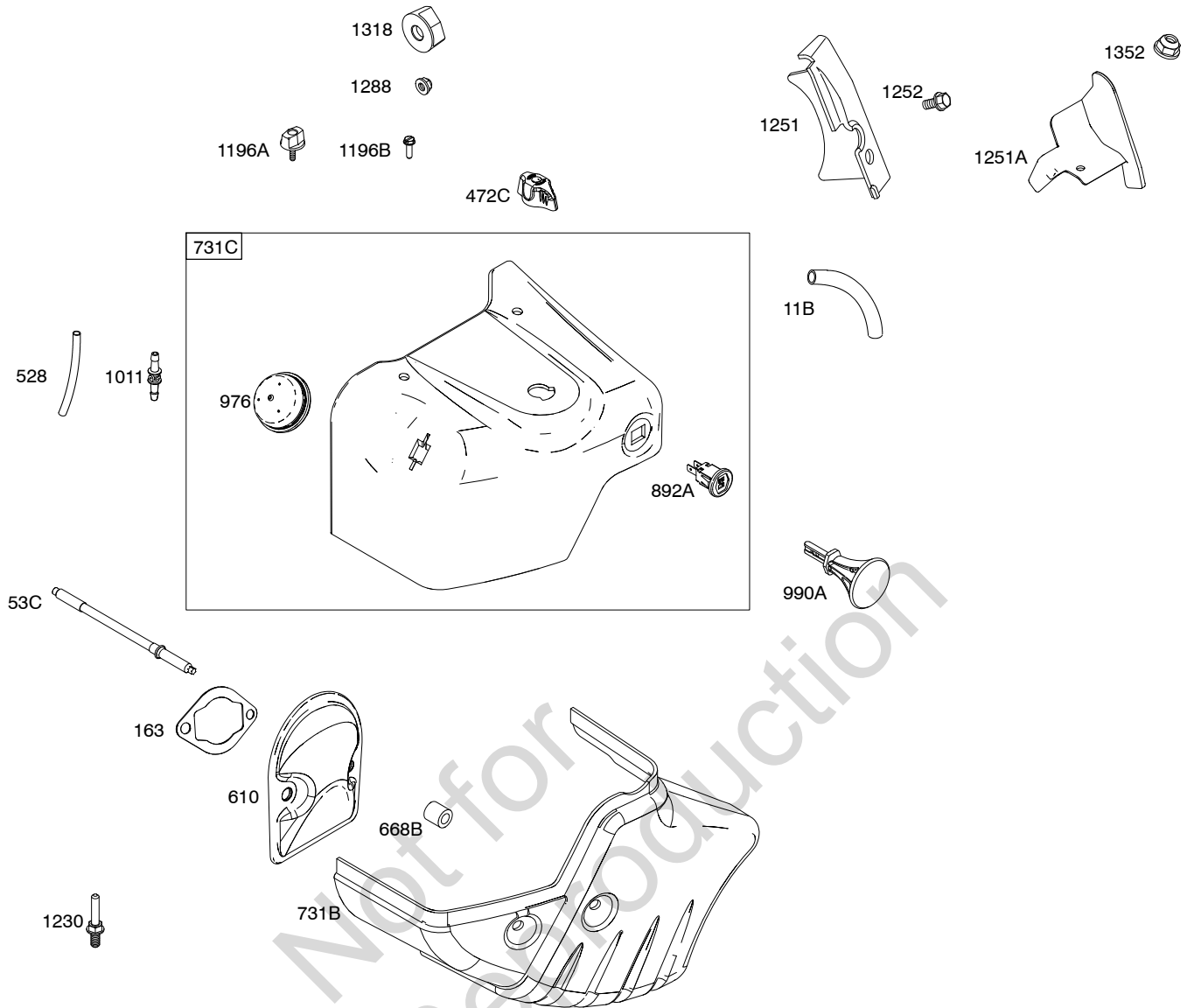
Illustrations cover a range of engines. Parts shown without corresponding text may not be used on your specific engine.
 4002-3 Assemblies include all parts shown in frames. 11/12/2010

20M100



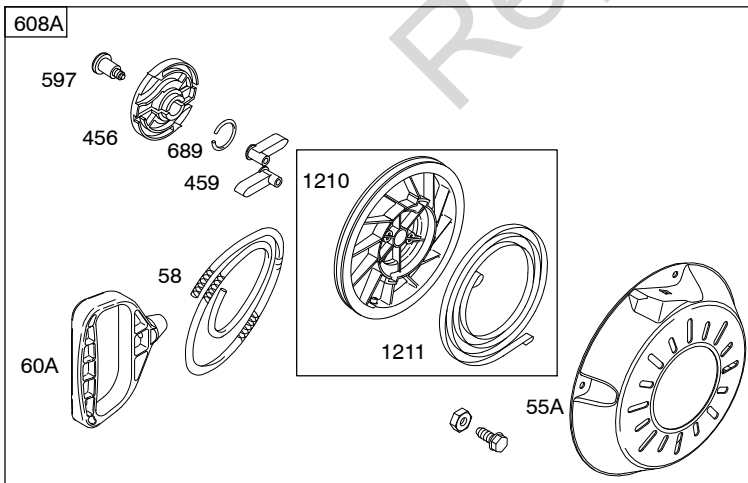
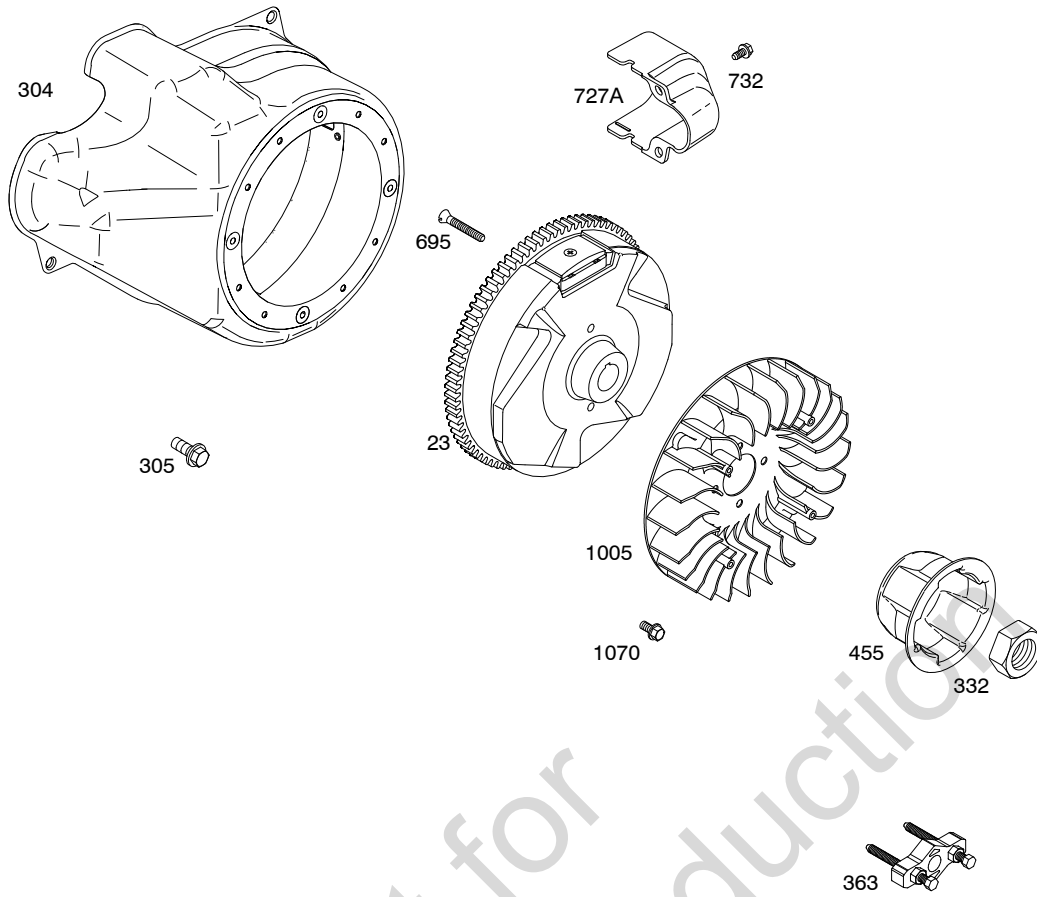
Illustrations cover a range of engines. Parts shown without corresponding text may not be used on your specific engine.
 4002-4 Assemblies include all parts shown in frames. 11/12/2010



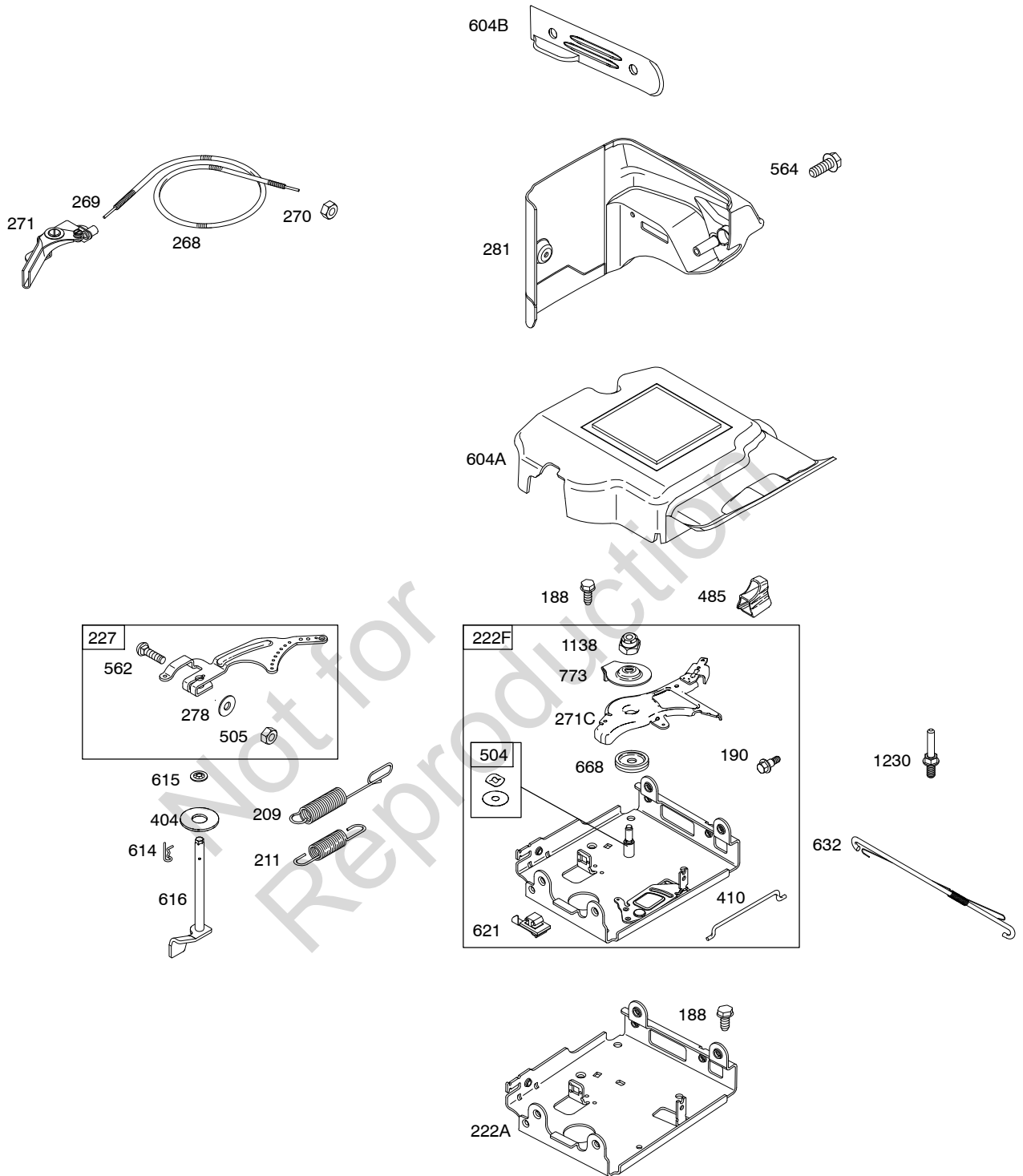


Illustrations cover a range of engines. Parts shown without corresponding text may not be used on your specific engine.



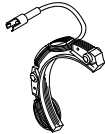
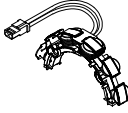




1036 EMISSIONS LABEL

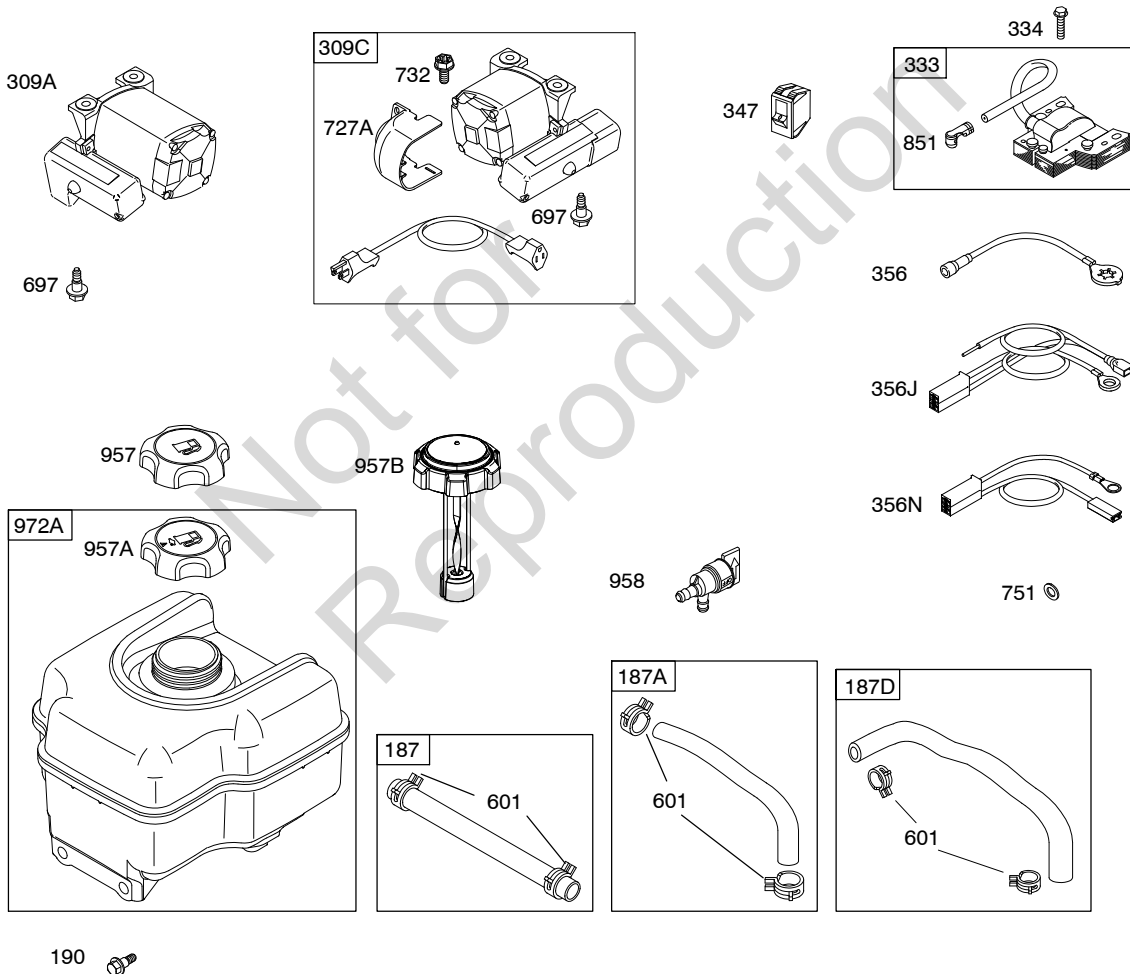


Illustrations cover a range of engines. Parts shown without corresponding text may not be used on your specific engine.
4002-7 Assemblies include all parts shown in frames. 11/12/2010



Illustrations cover a range of engines. Parts shown without corresponding text may not be used on your specific engine.

DUAL CIRCUIT	DUAL CIRCUIT	DC ONLY	AC ONLY
474B 	474C 	474F 	474G 
<p>NOTE: All stators use a No. 1119 mounting screw. </p> <p>NOTE: The proper flywheel part number and/or the alternator magnet size will determine the alternator type or output. See repair instruction manual for additional information.</p>			
878 	578A 	1119 	



Illustrations cover a range of engines. Parts shown without corresponding text may not be used on your specific engine.
 4002-9 Assemblies include all parts shown in frames. 11/12/2010

20M100

REF. NO.	PART NO.	DESCRIPTION	REF. NO.	PART NO.	DESCRIPTION	REF. NO.	PART NO.	DESCRIPTION
1	794849	Cylinder Assembly	33	697576	Valve-Exhaust	121	796137	Kit-Carburetor
2	698340	Kit-Bushing/Seal (Magneto Side)	34	795199	Valve-Intake			Overhaul (Used After Code Date 08050600).
3	391086S	Seal-Oil (Magneto Side)	35	694865	Spring-Valve (Intake)	121A	696146	Kit-Carburetor Overhaul (Used Before Code Date 08050700).
5	794871	Head-Cylinder	36	694865	Spring-Valve (Exhaust)			
7	694872	Gasket-Cylinder Head	42	499586	Keeper-Valve			
11B	696750	Tube-Breather	45	690977	Tappet-Valve	122	796315	Spacer-Carburetor (Used After Code Date 08050600).
12	694953	Gasket-Crankcase	46	795697	Camshaft			
13	794829	Screw (Cylinder Head)	51	694874	Gasket-Intake			
15	691686	Plug-Oil Drain	51A	694875	Gasket-Intake			
15B	695757	Plug-Oil Drain	53C	795017	Stud (Carburetor)			----- Note ----- 694876 Spacer- Carburetor (Used Before Code Date 08050700).
16	794720	Crankshaft	55A	696710	Housing-Rewind Starter			
		----- Note ----- 795079 Crankshaft Used on Type No(s). 0541, 0615, 0636, 0671.	58	693389	Rope-Starter (Cut To Required Length)	125	796122	Carburetor
18	791965	Cover-Crankcase	60A	699334	Grip-Starter Rope	127A	690727	Plug-Welch
19	698340	Kit-Bushing/Seal (PTO Side)	65	699851	Screw (Rewind Starter)	130A	696139	Valve-Throttle
20	391086S	Seal-Oil (PTO Side)	95A	690718	Screw (Throttle Valve)	133A	694914	Float-Carburetor
21	281658S	Cap-Oil Fill	97A	696387	Shaft-Throttle	135	698780	Tube-Fuel Transfer (Used After Code Date 08050600).
22	794825	Screw (Crankcase Cover/Sump)	98A	695408	Kit-Idle Speed			----- Note ----- 696142 Tube-Fuel Transfer (Used Before Code Date 08050700).
23	794812	Flywheel	104A	694918	Pin-Float Hinge	137	698781	Gasket-Float Bowl (Used After Code Date 08050600).
24	222698S	Key-Flywheel	105A	696136	Valve-Float Needle	137A	695426	Gasket-Float Bowl (Used Before Code Date 08050700).
25	792117	Piston Assembly (Standard)	108A	696143	Valve-Choke			
		----- Note ----- 792144 Piston Assembly (.020" Oversize)	109H	793520	Shaft-Choke	146	690979	Key-Timing
26	793561	Ring Set (Standard)	117	796080	Jet-Main (Standard) (Used After Code Date 08050600).	163	692277	Gasket-Air Cleaner
		----- Note ----- 792073 Ring Set (.020" Oversize)			----- Note ----- 696134 Jet-Main (Standard) (Used Before Code Date 08050700).	170	794833	Stud (Crankcase Cover/Sump)
27	690975	Lock-Piston Pin	118	796128	Jet-Main (High Altitude) (Used After Code Date 08050600).	187	791766	Line-Fuel (15 Inches Long) (Cut To Required Length)
28	696581	Pin-Piston			----- Note ----- 696135 Jet-Main (High Altitude) (Used Before Code Date 08050700).	187A	791869	Line-Fuel
29	694691	Rod-Connecting				187D	791879	Line-Fuel
30	694692	Dipper-Connecting Rod				188	699479	Screw (Control Bracket)
32	690976	Screw (Connecting Rod)				190	699220	Screw (Fuel Tank)

Illustrations cover a range of engines. Parts shown without corresponding text may not be used on your specific engine.

REF. NO.	PART NO.	DESCRIPTION	REF. NO.	PART NO.	DESCRIPTION	REF. NO.	PART NO.	DESCRIPTION
192	690083	Adjuster-Rocker Arm	281	697268	Panel-Control	347	795333	Switch-Rocker
209	695491	Spring-Governor	287	699234	Screw (Dipstick Tube)			----- Note -----
		----- Note -----						795333 Switch-Rocker
		694867 Spring-Governor	300B	794948	Muffler			(Used After Code Date 07093000).
		Used on Type No(s). 0141, 0143, 1357, 1358, 1361, 1364, 1416.	300C	793701	Muffler (This muffler is intended for replacement purposes only and is not to be used for retrofitting to engines with different exhaust systems)			Used on Type No(s). 0541.
211	695307	Spring-Governed Idle Used on Type No(s). 0141, 0143, 1357, 1358, 1361, 1364, 1416.	304	795699	Housing-Blower	355	794842	Washer (Muffler Bracket)
219	693578	Gear-Governor	305	699481	Screw (Blower Housing)	356	692603	Wire-Stop
220	691724	Washer (Governor Gear)	306	697240	Shield-Cylinder	356J	793206	Wire-Stop
222A	794801	Bracket-Control	307	794822	Screw (Cylinder Shield)	356N	798847	Wire-Stop
222F	794800	Bracket-Control Used on Type No(s). 0141, 0143, 1357, 1358, 1361, 1364, 1416.	309A	795909	Motor-Starter ----- Note -----	358	795201	Gasket Set-Engine
					792157 Motor-Starter	363	19203	Puller-Flywheel
					Used on Type No(s). 0541, 0730, 0922, 1214.	369	695422	Spring-Float Bowl (Used Before Code Date 08050700).
227	694864	Lever-Governor Control	309C	698311	Motor-Starter Used on Type No(s). 0139, 0140.	383	19576S	Wrench-Spark Plug
268	691025	Casing-Control Wire (Cut To Required Length)				404	795759	Washer (Governor Crank)
269	691026	Wire-Control (Cut To Required Length)	332	794824	Nut (Flywheel)	410	695382	Link-Control
270	691027	Nut (Control Wire Casing)	333	798853	Armature-Magneto	415	691363	Plug
271	691028	Lever-Control	334	699477	Screw (Magneto Armature)	436C	792374	Manifold-Exhaust
271C	797554	Lever-Control	337	491055S	Plug-Spark	437	794844	Screw (Exhaust Manifold)
278	798196	Washer (Governor Control Lever) (Used After Code Date 09101800).			----- Note -----	455	795011	Cup-Flywheel
		----- Note -----			691043 Plug-Spark	456	692299	Plate-Pawl Friction
		792008 Washer (Governor Control Lever) (Used Before Code Date 09101900).			Used on Type No(s). 0133, 0134, 0136, 0139, 0141, 0541, 0730, 0922, 0937, 1214, 1358, 1361, 1364, 1416.	459	281505S	Pawl-Ratchet
					793541 Plug-Spark	472C	791948	Knob-Choke Shaft
					Used on Type No(s). 0135, 0138, 0140, 0143, 1357.	474B	793118	Alternator Used on Type No(s). 0615, 0671, 1364.
						474C	698314	Alternator Used on Type No(s). 0139, 0140.
						474G	797090	Alternator Used on Type No(s). 0138, 0141, 0143.
						474F	793640	Alternator

Illustrations cover a range of engines. Parts shown without corresponding text may not be used on your specific engine.

20M100

REF. NO.	PART NO.	DESCRIPTION	REF. NO.	PART NO.	DESCRIPTION	REF. NO.	PART NO.	DESCRIPTION
485	695755	Knob-Control Used on Type No(s). 0141, 0143, 1357, 1358, 1361, 1364, 1416.	613B	794844	Screw (Muffler)	741	691288	Gear-Timing
504	695383	Washer Set-Friction	614	691620	Pin-Cotter (Governor Crank)	742	692564	Retainer-E Ring
505	793515	Nut (Governor Control Lever) (Used After Code Date 09101800). ----- Note ----- 691251 Nut (Governor Control Lever) (Used Before Code Date 09101900).	615	694676	Retainer-Governor Shaft (Governor Gear) (Used Before Code Date 08021500).	746	694679	Gear-Idler
523	790477	Dipstick ----- Note ----- 695344 Dipstick Used on Type No(s). 0143, 1357.	616	795758	Crank-Governor	751	794839	Washer (Stop Wire)
524	691876	Seal-Dipstick Tube	621	692310	Switch-Stop Used on Type No(s). 0141, 0143, 1357, 1358, 1361, 1364, 1416.	773	694258	Retainer
525	792041	Tube-Dipstick ----- Note ----- 695343 Tube-Dipstick Used on Type No(s). 0143, 1357.	632	695917	Spring/Link- Mechanical Governor (Used Before Code Date 08050700).	798	697890	Screw (Rocker Arm)
528	793006	Hose-Primer (Cut to Required Length)	632A	796324	Spring/Link- Mechanical Governor (Used After Code Date 08050600).	819	794832	Screw (Muffler Bracket)
529	791822	Grommet	633B	690998	Seal-Choke/Throttle Shaft	832	796384	Guard Muffler
552	694674	Bushing-Governor Crank	635	691909	Boot-Spark Plug (Alternator)	832A	797095	Guard Muffler Used on Type No(s). 0138, 0139, 0140, 0141, 0143, 1357.
562	798197	Bolt (Governor Control Lever) (Used After Code Date 09101800). ----- Note ----- 793216 Bolt (Governor Control Lever) (Used Before Code Date 09101900).	668	694257	Spacer (Control Bracket)	836	699234	Screw (Muffler Guard)
564	699854	Screw (Control Cover)	668B	794539	Spacer (Snow Hood)	836C	710023	Screw (Muffler Guard)
578A	792576	Wire Assembly	676D	794213	Deflector-Muffler	842	691031	Seal-O Ring (Dipstick Tube)
597	691696	Screw (Pawl Friction Plate)	677A	699776	Screw (Muffler Deflector)	847	790476	Dipstick/Tube Assembly ----- Note ----- 695342 Dipstick/Tube Assembly Used on Type No(s). 0143, 1357.
601	791850	Clamp-Hose	689	691855	Spring-Friction	851	692424	Terminal-Spark Plug
604A	696758	Cover-Control	695	698807	Screw (Ring Gear)	863C	793700	Bracket-Muffler
604B	790473	Cover-Control	697	795012	Screw (Drive Cap)	868	794086	Seal-Valve
608A	699335	Starter-Rewind	718	690959	Pin-Locating (Cylinder)	878	398661	Wire/Connector- Alternator
610	794541	Arrester-Intake	718A	695178	Pin-Locating (Head)	883	695398	Gasket-Exhaust
613	794846	Screw (Muffler)	725	696756	Shield-Heat	883C	710250	Gasket-Exhaust
			727A	697465	Cover-Starter Drive	892A	791944	Switch-Key
			731B	794540	Hood-Snow	914	794827	Screw (Rocker Cover)
			731C	793621	Hood-Snow	930	696709	Guard-Rewind
			732	699200	Screw (Starter Drive Cover)	957	795027	Cap-Fuel Tank (Plastic)
			740	710090	Nut (Muffler Bracket)	957A	792647	Cap-Fuel Tank (Plastic) (Fresh Start)
			740A	794843	Nut (Muffler Bracket)	957B	698109	Cap-Fuel Tank (Plastic) Used on Type No(s). 0143, 1357.
						958	698180	Valve-Fuel Shut Off (Plastic)
						972A	694260	Tank-Fuel (Plastic)

Illustrations cover a range of engines. Parts shown without corresponding text may not be used on your specific engine.

20M100

REF. NO.	PART NO.	DESCRIPTION	REF. NO.	PART NO.	DESCRIPTION	REF. NO.	PART NO.	DESCRIPTION
975	698783	Bowl-Float (Used After Code Date 08050600).	1058	279128	Manual-Operator's	1196B	798785	Screw (Snow Hood)
			1070	794821	Screw (Flywheel Fan)	1210	498144	Pulley/Spring Assembly (Pulley)
975A	696138	Bowl-Float (Used Before Code Date 08050700).	1095	795200	Gasket Set-Valve	1211	498144	Pulley/Spring Assembly (Spring)
			1100	791959	Pivot-Rocker Arm	1230	699847	Stud (Control Bracket)
976	793382	Primer-Carburetor	1119	699772	Screw (Alternator)	1251	696762	Shield-Snow
990A	794696	Key Set	1127A	695407	Screw (Float Bowl)	1251A	790471	Shield-Snow
998A	696683	Pipe-Oil	1138	694255	Nut (Control Bracket)	1252	699481	Screw (Snow Shield)
		----- Note -----	1171	794828	Stud (Rocker Cover)	1288	794838	Nut (Snow Hood)
		792928 Pipe-Oil	1177	710090	Nut (Muffler)	1318	698111	Knob-Snow Hood
		Used on Type No(s).	1194	691876	Seal-O Ring (Plug)	1319	794467	Label-Warning
		0537, 0650, 0730,	1196A		Screw (Snow Hood)	1330	276781	Repair Manual
		0922, 0937, 1214,			(No Longer Available)	1351	794847	Stud (Cylinder Shield)
		1357, 1358, 1361,			(Use Screw Reference 1196B)	1352	795016	Nut (Spark Plug Shield)
		1364, 1416.						
1005	794815	Fan-Flywheel						
1011	794544	Tube-Vent						
1022	690971	Gasket-Rocker Cover						
1023A	698042	Cover-Rocker						
1026	695177	Rod-Push						
1029	690972	Arm-Rocker						
1036		Label-Emissions (Available From A Briggs & Stratton Authorized Dealer)						

Not for
Reproduction

Illustrations cover a range of engines. Parts shown without corresponding text may not be used on your specific engine.