



# Illustrated Parts List

## Model Series

# 21A800

TYPE NUMBERS  
0113 through 0524.

### TABLE OF CONTENTS

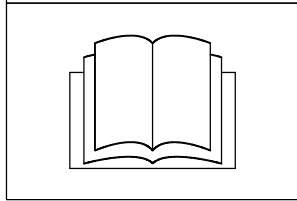
Air Cleaner .....	6
Alternator .....	9
Blower Housing .....	6
Camshaft .....	3
Carburetor .....	5
Controls .....	8
Crankshaft .....	3
Cylinder .....	2
Cylinder Head .....	4
Electric Starter .....	7
Engine Sump .....	2
Exhaust System .....	6
Flywheel .....	7
Fuel Supply .....	8
Gasket Set - Engine .....	4
Gasket Set - Valve .....	4
Governor Spring .....	8
Ignition .....	8
Intake Manifold .....	4
Kit - Carburetor Overhaul .....	5
Lubrication .....	3
Operator's Manual .....	2
Piston, Rings, Connecting Rod .....	3
Rewind Starter .....	7
Valves .....	4
Warning Label .....	2



PRINTED IN U.S.A.

COPYRIGHT by BRIGGS & STRATTON CORPORATION  
All rights reserved. No part of this material may be reproduced or transmitted, in any form or by any means, electronic or mechanical, including photocopying, recording or by any information storage and retrieval system, without permission in writing from Briggs & Stratton Corporation.

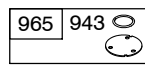
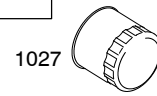
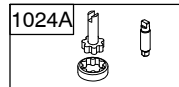
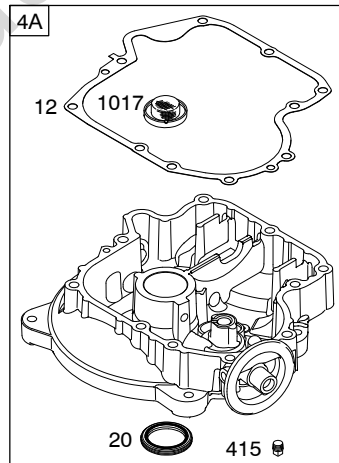
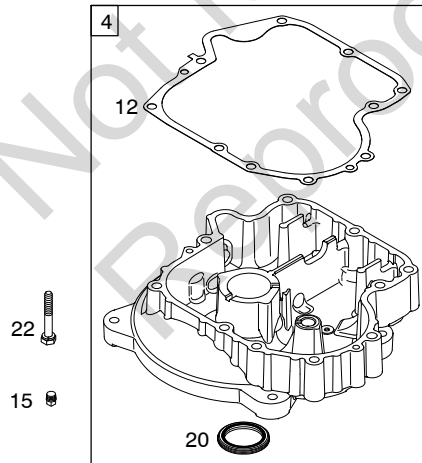
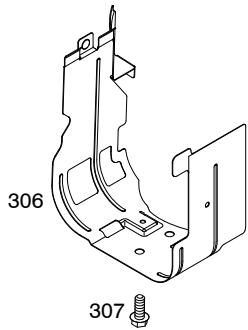
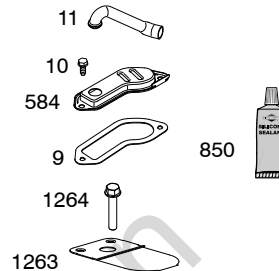
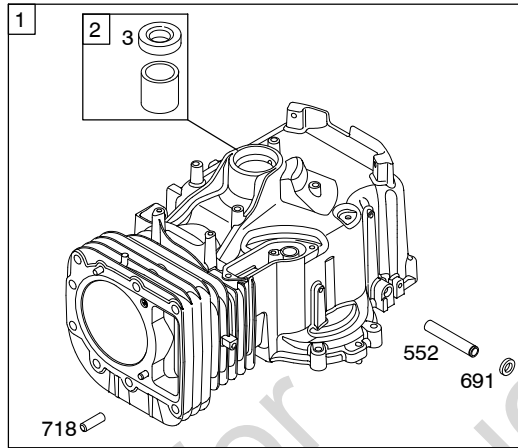
1058 OPERATOR'S MANUAL



1319 WARNING LABEL

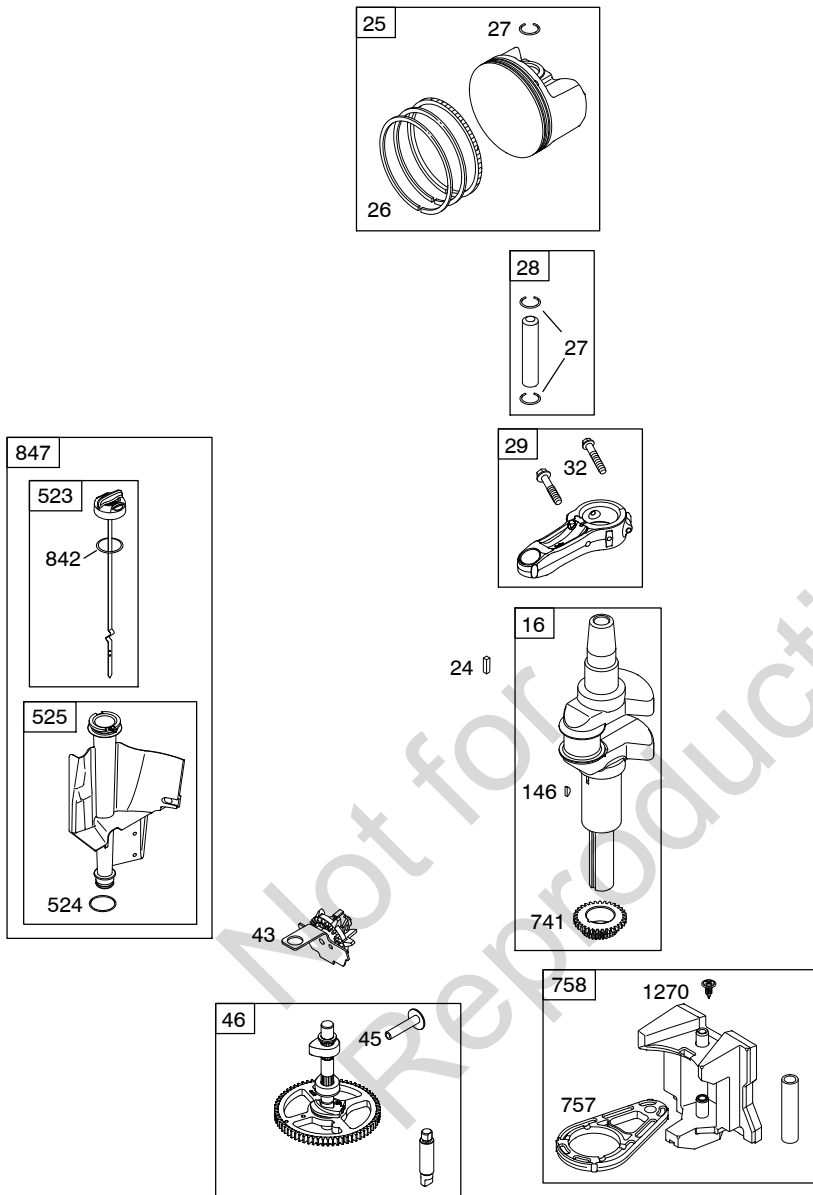
<b>WARNING</b>	
	Read and follow Operating Instructions before running engine.
	Gasoline is flammable. Allow engine to cool at least 2 minutes before refueling.
	Engines emit carbon monoxide, <b>DO NOT</b> run in enclosed area.
	Muffler area temperature may exceed 150°F. Do not touch hot parts.

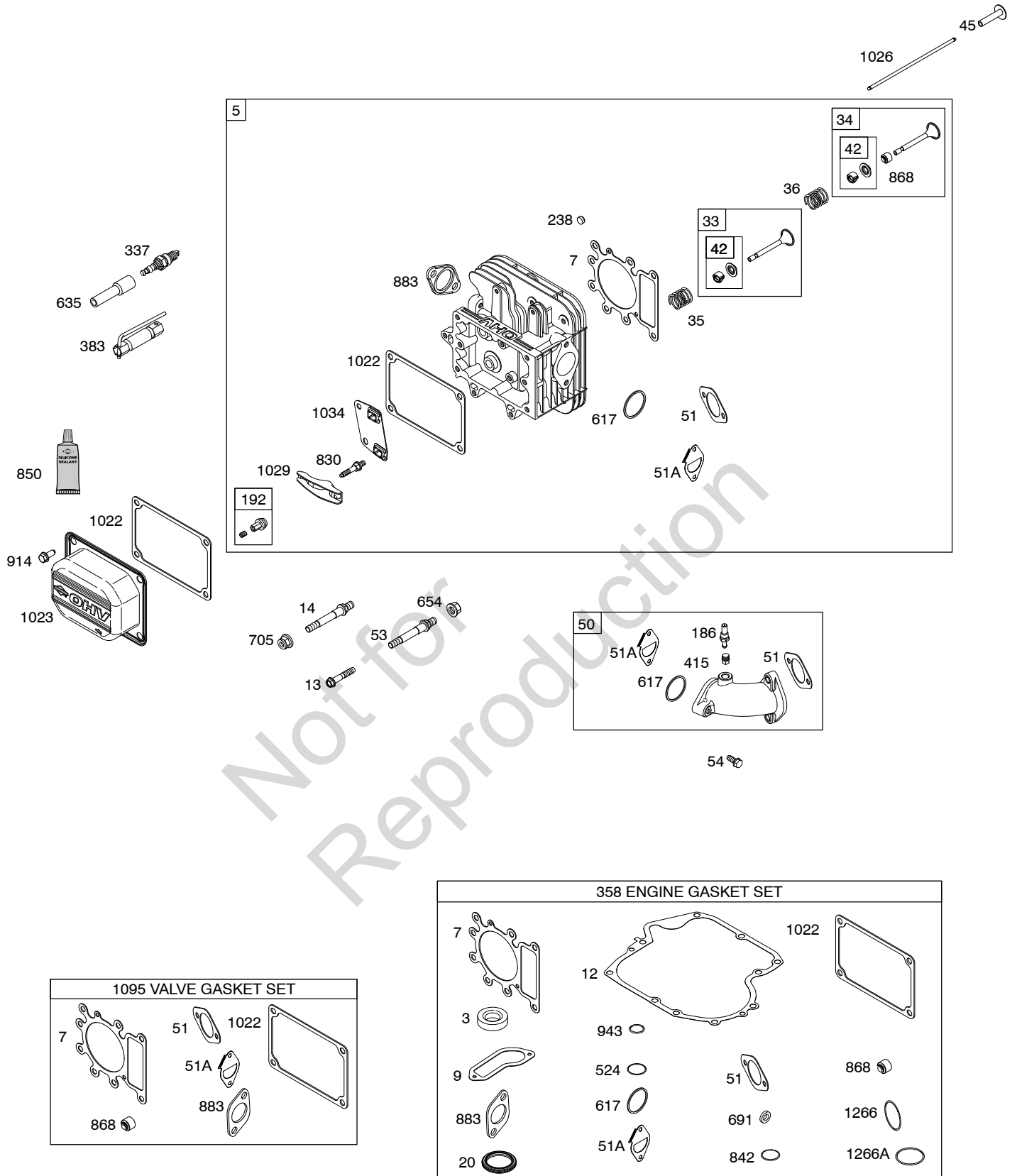
**REQUIRED** when replacing parts with warning labels affixed.



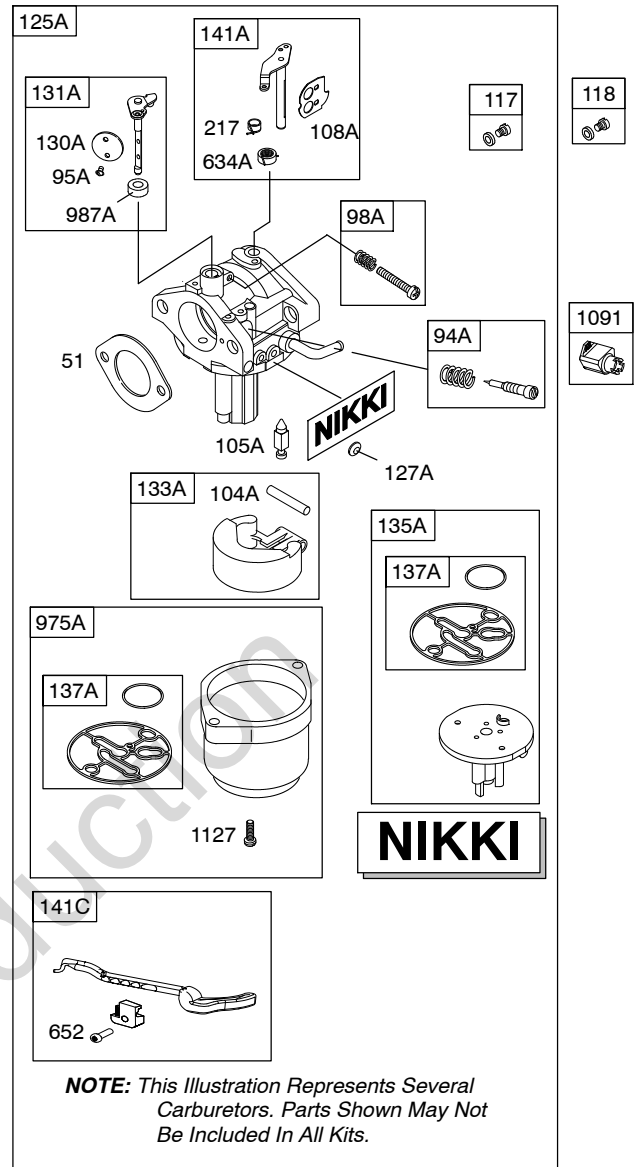
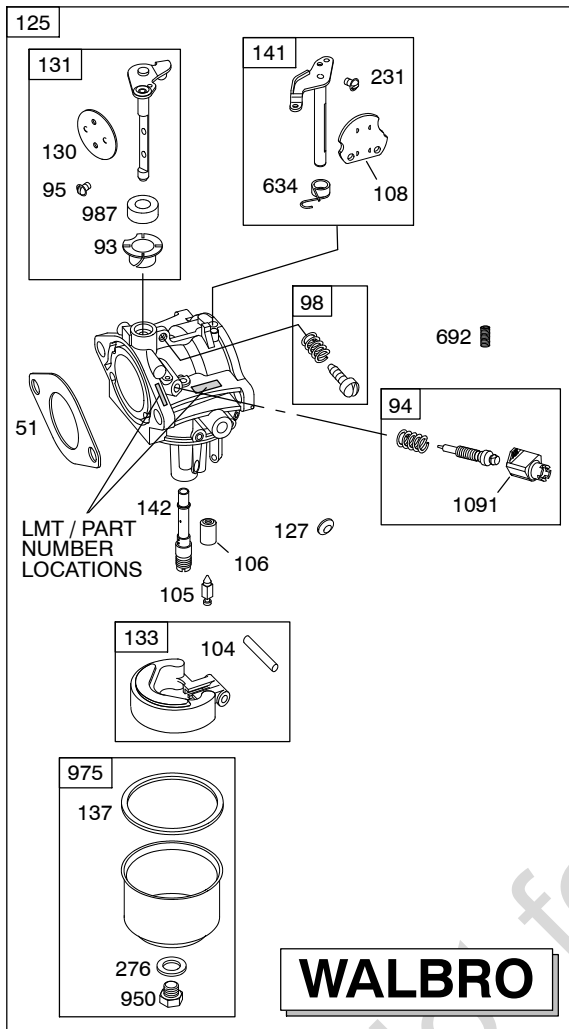
750 ⚙

Illustrations cover a range of engines. Parts shown without corresponding text may not be used on your specific engine.  
 5501-2 Assemblies include all parts shown in frames. 03/06/2009





Illustrations cover a range of engines. Parts shown without corresponding text may not be used on your specific engine.



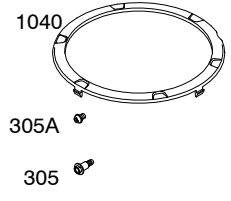
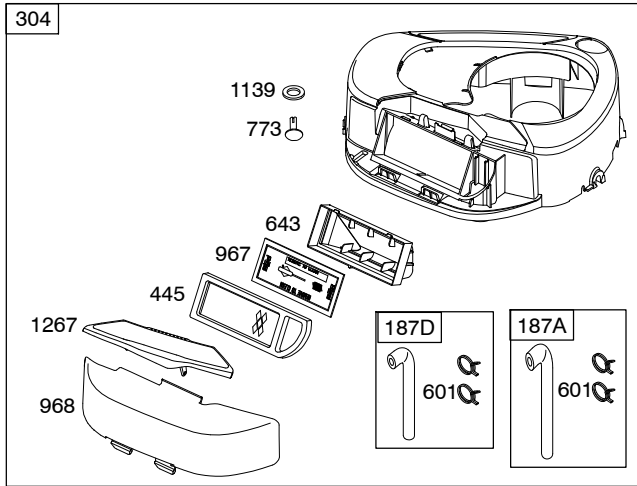
121 CARBURETOR OVERHAUL KIT			
51	104	137	987
	105	142	617
93	106	276	1266
95	127	634	1266A

977 CARBURETOR GASKET SET		
51	137	276

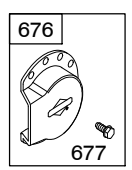
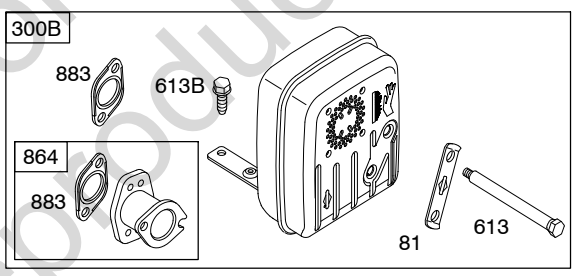
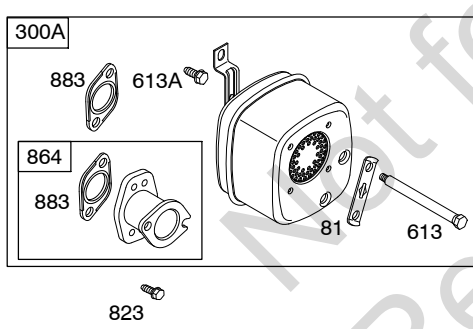
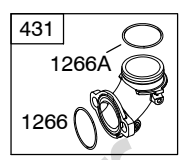
121A CARBURETOR OVERHAUL KIT			
51	98A	137A	1266
95A	987A		1266A
104A	634A	51A	617
105A	217		127A

Illustrations cover a range of engines. Parts shown without corresponding text may not be used on your specific engine.

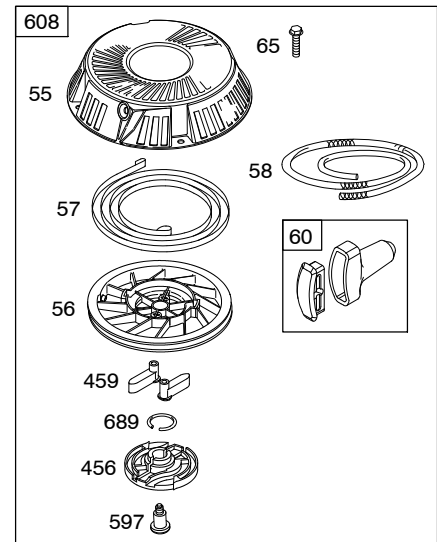
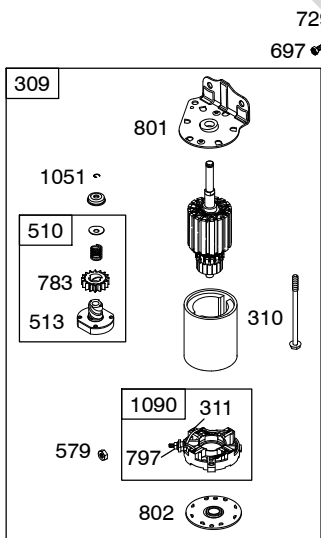
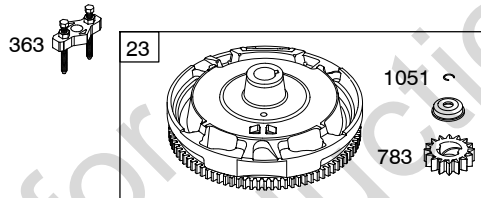
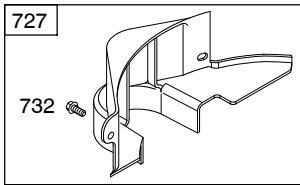
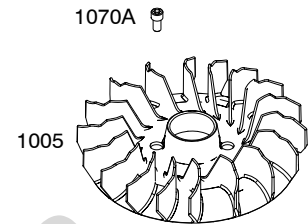
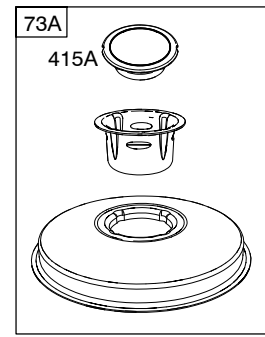
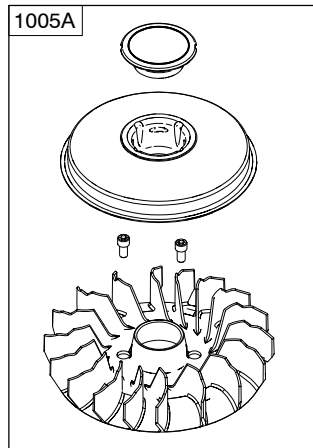
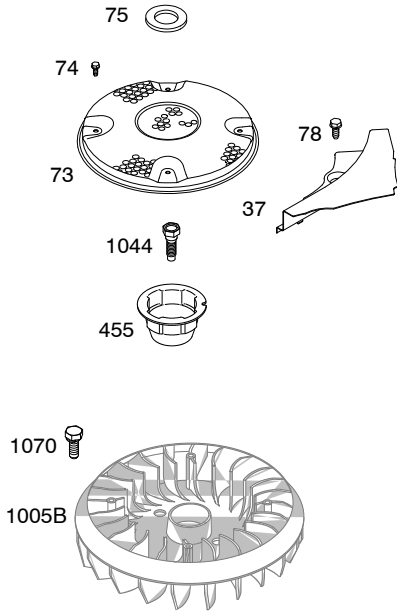
# 21A800



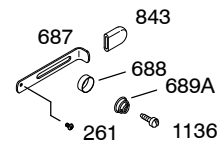
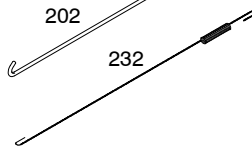
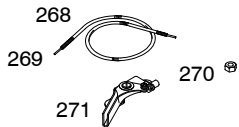
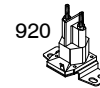
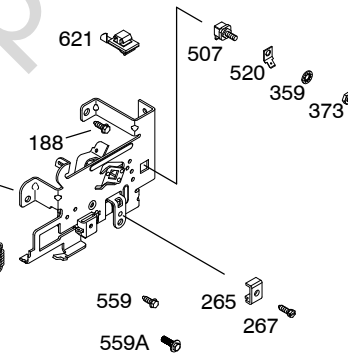
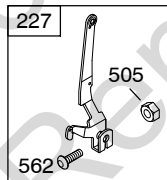
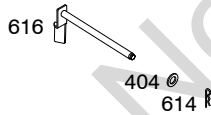
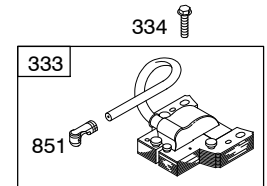
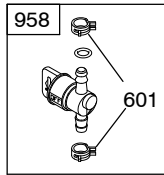
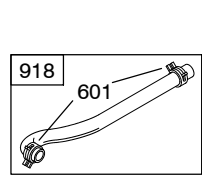
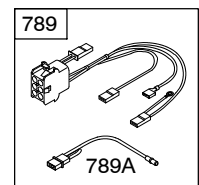
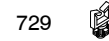
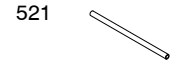
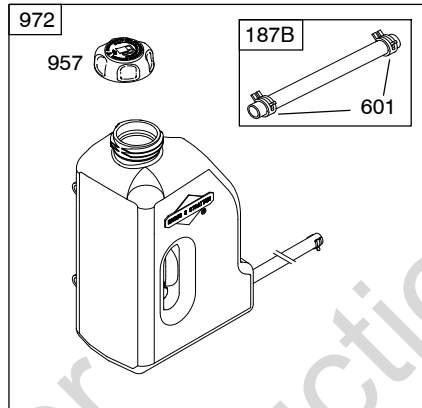
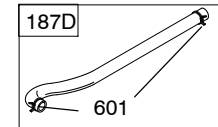
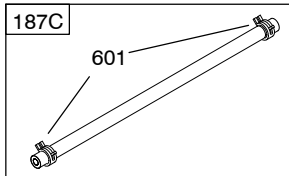
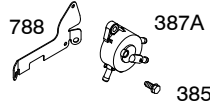
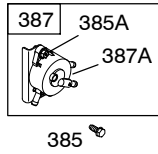
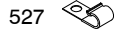
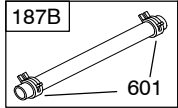
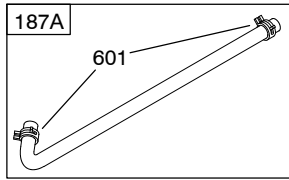
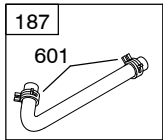
1036 EMISSIONS LABEL





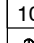
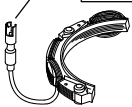


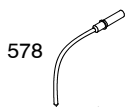

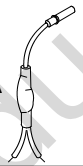


*Illustrations cover a range of engines. Parts shown without corresponding text may not be used on your specific engine.*  
 5501-6 Assemblies include all parts shown in frames. 03/06/2009




# 21A800



Illustrations cover a range of engines. Parts shown without corresponding text may not be used on your specific engine.

DC ONLY		DUAL CIRCUIT		TRI CIRCUIT	
474A	1059	474B	1059	474C	1059
877A		877		877B	
					
578		878		878A	5/9 AMP REGULATED
					
					526A
					

**NOTE:** All stators use a No. 1119 mounting screw. 

**NOTE:** The proper flywheel part number and/or the alternator magnet size will determine the alternator type or output. See repair instruction manual for additional information.

# 21A800

REF. NO.	PART NO.	DESCRIPTION	REF. NO.	PART NO.	DESCRIPTION	REF. NO.	PART NO.	DESCRIPTION
1	697377	Cylinder Assembly	12	697110	Gasket-Crankcase (.015" Thick) (Standard)	24	222698S	Key-Flywheel
2	399265	Kit-Bushing/Seal (Magneto Side)	13	690360	Screw (Cylinder Head)	25	796155	Piston Assembly (Standard) Used on Type No(s). 0115, 0116, 0118, 0124, 0163, 0214, 0215, 0236, 0238, 0241, 0285, 0333, 0524.
3	391086S	Seal-Oil (Magneto Side)	14	790560	Stud (Cylinder Head)			
4	697106	Sump-Engine (Used After Code Date 05100200). ----- Note ----- 795940 Sump-Engine (Used Before Code Date 05100200). Must Use Kit 795940, Includes Sump And Counterweight.	15	690946	Plug-Oil Drain (3/8" Standard)			
4A	697188	Sump-Engine (Used After Code Date 05100200). Used on Type No(s). 0113, 0121. ----- Note ----- 795957 Sump-Engine (Used Before Code Date 05100200). Used on Type No(s). 0113, 0121. Must Use Kit 795957, Includes Sump And Counterweight.	16	796146	Crankshaft Used on Type No(s). 0116, 0118, 0124, 0163, 0214, 0215, 0236, 0238, 0241, 0285, 0333, 0524. ----- Note ----- 697390 Crankshaft Used on Type No(s). 0113, 0115, 0119, 0120, 0121, 0123, 0130, 0164, 0165, 0166, 0167, 0168.			
5	796183	Head-Cylinder	20	795387	Seal-Oil (PTO Side)			
7	273280S	Gasket-Cylinder Head	22	692125	Screw (Crankcase Cover/Sump)			
9	697109	Gasket-Breather (Used Before Code Date 07071900). (After Date Code Use Liquid Sealant Reference 850)	23	698281	Flywheel Used on Type No(s). 0120, 0124, 0163, 0214, 0215, 0236, 0238, 0241, 0285, 0333, 0524. ----- Note ----- 790922 Flywheel Used on Type No(s). 0113, 0118, 0119, 0121, 0130. 790924 Flywheel Used on Type No(s). 0123, 0164, 0166, 0167, 0168. 790894 Flywheel Used on Type No(s). 0130. 693557 Flywheel Used on Type No(s). 0115, 0165. 698282 Flywheel Used on Type No(s). 0116.			
10	697157	Screw (Breather Assembly)						
11	794683	Tube-Breather (Used After Code Date 07071800). ----- Note ----- 697113 Tube-Breather (Used Before Code Date 07071900).						

Illustrations cover a range of engines. Parts shown without corresponding text may not be used on your specific engine.  
5501-10 Assemblies include all parts shown in frames. 03/06/2009

REF. NO.	PART NO.	DESCRIPTION	REF. NO.	PART NO.	DESCRIPTION	REF. NO.	PART NO.	DESCRIPTION
26	792306	Ring Set (Standard) Used on Type No(s). 0113, 0119, 0120, 0121, 0123, 0130, 0164, 0165, 0166, 0167, 0168. ----- Note ----- 792643 Ring Set (.020" Oversize) Used on Type No(s). 0113, 0119, 0120, 0121, 0123, 0130, 0164, 0165, 0166, 0167, 0168. 792306 Ring Set (Standard) (Used After Code Date 08090100). Used on Type No(s). 0115, 0116, 0118, 0124, 0163, 0214, 0215, 0236, 0238, 0241, 0285, 0233, 0524. 698375 Ring Set (Standard) (Used Before Code Date 08090200). Used on Type No(s). 0115, 0116, 0118, 0124, 0163, 0214, 0215, 0236, 0238, 0241, 0285, 0233, 0524. 697120 Ring Set (.020" Oversize) Used on Type No(s). 0115, 0116, 0118, 0124, 0163, 0214, 0215, 0236, 0238, 0241, 0285, 0233, 0524.	27	698469	Lock-Piston Pin	60	493926	Grip-Starter Rope Used on Type No(s). 0130, 0165.
			28	697099	Pin-Piston	65	690759	Screw (Rewind Starter) (Used After Code Date 07040800). Used on Type No(s). 0130, 0165. ----- Note ----- 697725 Screw (Rewind Starter) (Used Before Code Date 07040900).
			29	791633	Rod-Connecting (Standard) ----- Note ----- 697262 Rod- Connecting (.020" Undersize) (Used Before Code Date 05040400).	73	697133	Screen-Rotating (Used Before Code Date 07040900).
			32	791118	Screw (Connecting Rod)	73A	796308	Screen-Rotating (Used After Code Date 07040800).
			33	695760	Valve-Exhaust	74	697897	Screw (Rotating Screen) (Used Before Code Date 07040900).
			34	791935	Valve-Intake	75	690582	Washer (Flywheel)
			35	691279	Spring-Valve (Intake)	78	691003	Screw (Flywheel Guard)
			36	691279	Spring-Valve (Exhaust)	81	691178	Lock-Muffler Screw
			37	697352	Guard-Flywheel	93	690602	Bushing-Throttle Shaft (Walbro)
			42	499586	Keeper-Valve	94	794176	Kit-Idle Mixture (Walbro)
			43	691968	Slinger-Governor/Oil	94A	793610	Kit-Idle Mixture (Nikki)
			45	690564	Tappet-Valve	95	691636	Screw (Throttle Valve) (Walbro)
			46	793880	Camshaft	95A	690718	Screw (Throttle Valve) (Nikki)
			50	796188	Manifold-Intake	98	495800	Kit-Idle Speed (Walbro)
			51	692137	Gasket-Intake			
			51A	796081	Gasket-Intake			
			53	690227	Stud (Carburetor)			
			54	691148	Screw (Intake Manifold)			
			55	695130	Housing-Rewind Starter Used on Type No(s). 0130, 0165.			
			56	695129	Pulley-Starter Used on Type No(s). 0130, 0165.			
			57	695131	Spring-Rewind Starter Used on Type No(s). 0130, 0165.			
			58	695132	Rope-Starter Used on Type No(s). 0130, 0165.			

*Illustrations cover a range of engines. Parts shown without corresponding text may not be used on your specific engine.*

# 21A800

REF. NO.	PART NO.	DESCRIPTION	REF. NO.	PART NO.	DESCRIPTION	REF. NO.	PART NO.	DESCRIPTION
98A	695408	Kit-Idle Speed (Nikki)	117	796079	Jet-Main (Standard)	118	796080	Jet-Main (High Altitude)
104	690525	Pin-Float Hinge (Walbro)			(Used After Code Date 08121400).			(Used After Code Date 08121400).
104A	694918	Pin-Float Hinge (Nikki)			Used on Type No(s). 0113, 0164, 0165, 0166, 0167.			Used on Type No(s). 0113, 0164, 0165, 0166, 0167.
105	231855S	Valve-Float Needle (Walbro)			----- Note -----			----- Note -----
105A	696136	Valve-Float Needle (Nikki)		796079	Jet-Main (Standard)		796080	Jet-Main (High Altitude)
106	690577	Seat-Inlet (Walbro)(Gravity Feed)			(Used After Code Date 08110500).			(Used After Code Date 08110500).
		----- Note -----			Used on Type No(s). 0118, 0119, 0123, 0124, 0130, 0168, 0236, 0238, 0524.			Used on Type No(s). 0118, 0119, 0123, 0124, 0130, 0168, 0236, 0238, 0524.
108	691227	Valve-Choke (Walbro)		794352	Jet-Main (Standard)		791405	Jet-Main (High Altitude)
108A	698773	Valve-Choke (Nikki)			(Used After Code Date 07122500).			(Used After Code Date 07122500).
					Used on Type No(s). 0120, 0241, 0285.			Used on Type No(s). 0120, 0241, 0285.
				794352	Jet-Main (Standard)		791405	Jet-Main (High Altitude)
					(Used Before Code Date 08121500 and After Code Date 07122500).			(Used Before Code Date 08121500 and After Code Date 07122500).
					Used on Type No(s). 0113, 0164, 0165, 0166, 0167.			Used on Type No(s). 0113, 0164, 0165, 0166, 0167.
				794352	Jet-Main (Standard)		791405	Jet-Main (High Altitude)
					(Used Before Code Date 08110600 and After Code Date 07122500).			(Used Before Code Date 08110600 and After Code Date 07122500).
					Used on Type No(s). 0118, 0119, 0123, 0124, 0130, 0168, 0236, 0238, 0524.			Used on Type No(s). 0118, 0119, 0123, 0124, 0130, 0168, 0236, 0238, 0524.
				699897	Jet-Main (Standard)		699898	Jet-Main (High Altitude)
					(Used Before Code Date 07122600).			(Used Before Code Date 07122600).
					Used on Type No(s). 0113, 0116, 0118, 0119, 0120, 0123, 0124, 0130, 0163, 0164, 0166, 0167, 0168, 0214, 0215, 0236, 0238, 0241, 0285, 0333, 0524.			Used on Type No(s). 0113, 0116, 0118, 0119, 0120, 0123, 0124, 0130, 0163, 0164, 0166, 0167, 0168, 0214, 0215, 0236, 0238, 0241, 0285, 0333, 0524.

Illustrations cover a range of engines. Parts shown without corresponding text may not be used on your specific engine.  
 5501-12 Assemblies include all parts shown in frames. 03/06/2009

REF. NO.	PART NO.	DESCRIPTION	REF. NO.	PART NO.	DESCRIPTION	REF. NO.	PART NO.	DESCRIPTION
121	790031	Kit-Carburetor Overhaul (Walbro)	125A	796077	Carburetor (Nikki)(Gravity Feed) (Used After Code Date 08121400)			791266 Carburetor (Nikki)(Pump Feed) (Used Before Code Date 07122600).
121A	698787	Kit-Carburetor Overhaul (Nikki)			Used on Type No(s). 0113, 0164, 0165, 0166, 0167.			Used on Type No(s). 0113, 0116, 0118, 0119, 0120, 0123, 0124, 0130, 0163, 0164, 0166, 0167, 0168, 0214, 0215, 0236, 0238, 0241, 0285, 0333, 0524.
125	793227	Carburetor (Walbro)(Gravity Feed) ----- Note ----- 793227 Carburetor (Walbro)(Gravity Feed) (Used Before Code Date 07010800). Used on Type No(s). 0165.			----- Note ----- 796077 Carburetor (Nikki)(Gravity Feed) (Used After Code Date 08110500). Used on Type No(s). 0118, 0119, 0123, 0124, 0130, 0168, 0236, 0238, 0524.		127	694524 Plug-Welch (Walbro)
					794653 Carburetor (Nikki)(Gravity Feed) (Used Before Code Date 08121500 and After Code Date 07122500). Used on Type No(s). 0113, 0164, 0165, 0166, 0167.		127A	690727 Plug-Welch (Nikki)
					794653 Carburetor (Nikki)(Gravity Feed) (Used Before Code Date 08110500 and After Code Date 07122500). Used on Type No(s). 0118, 0119, 0123, 0124, 0130, 0168, 0236, 0238, 0524.		130	790024 Valve-Throttle (Walbro)
					794653 Carburetor (Nikki)(Gravity Feed) (Used After Code Date 07122500). Used on Type No(s). 0120, 0241, 0285.		130A	698774 Valve-Throttle (Nikki)
					791266 Carburetor (Nikki)(Pump Feed) (Used Before Code Date 07122600 and After Code Date 07010700). Used on Type No(s). 0165.		131	790901 Kit-Throttle Shaft (Walbro)
							131A	698776 Kit-Throttle Shaft (Nikki)
							133	494381 Float-Carburetor (Walbro)
							133A	694914 Float-Carburetor (Nikki)
							135A	698780 Tube-Fuel Transfer (Nikki)(Gravity Feed) (Used After Code Date 07122500). ----- Note ----- 792022 Tube-Fuel Transfer (Nikki)(Pump Feed) (Used Before Code Date 07122600).
							137	281165S Gasket-Float Bowl (Walbro)
							137A	698781 Gasket-Float Bowl (Nikki)

# 21A800

REF. NO.	PART NO.	DESCRIPTION	REF. NO.	PART NO.	DESCRIPTION	REF. NO.	PART NO.	DESCRIPTION
141	790902	Kit-Choke Shaft (Walbro)	209	692208	Spring-Governor (Green)	240A	691035	Filter-Fuel (Clear, 40 Microns)
141A	698778	Kit-Choke Shaft (Nikki)			Used on Type No(s). 0115, 0116, 0118, 0119, 0123, 0163, 0166, 0167, 0168.			Used on Type No(s). 0113, 0116, 0120, 0164, 0165, 0166, 0167.
141C	793386	Kit-Choke Shaft (Nikki Carburetor 793362 and 793365)			----- Note -----	261	697176	Screw (Control Slide) Used on Type No(s). 0120, 0165.
142	790025	Nozzle-Carburetor (Standard)			792602 Spring-Governor (Red)	265	691024	Clamp-Casing
143	790028	Nozzle-Carburetor (High Altitude)			Used on Type No(s). 0121, 0164, 0214, 0236, 0238, 0241, 0285, 0524.	267	794904	Screw (Casing Clamp)
146	691639	Key-Timing			792813 Spring-Governor (Brown)	268	691025	Casing-Control Wire (Cut To Required Length)
186	794873	Connector-Hose			Used on Type No(s). 0113, 0120, 0130, 0165.	269	691026	Wire-Control (Cut To Required Length)
187	791805	Line-Fuel (Formed)(10-1/4 Inches Long)(Cut to Required Length)			690576 Spring-Governor (Gold)	270	691027	Nut (Control Wire Casing)
187A	791806	Line-Fuel (Formed)(21 Inches Long)(Cut To Required Length)			Used on Type No(s). 0124, 0215.	271	691028	Lever-Control
187B	791766	Line-Fuel (15 Inches Long)(Cut To Required Length)			260902 Spring-Governor	276	692255	Washer-Sealing (Walbro)
187C	791745	Line-Fuel (23 Inches Long)(Cut to Required Length)			Used on Type No(s). 0333.	300A	794660	Muffler
187D	791744	Line-Fuel (14 Inches Long)(Cut to Required Length)	216	691840	Link-Choke	300B	697349	Muffler Used on Type No(s). 0165.
188	691693	Screw (Control Bracket)	217	695409	Spring-Choke Return	304	796414	Housing-Blower (Black)
192	691986	Adjuster-Rocker Arm	222	694042	Bracket-Control	305	697102	Screw (Blower Housing)
202	691841	Link-Mechanical Governor	227	691374	Lever-Governor Control	305A	793376	Screw (Blower Housing)(Lift Screw)
			231	691636	Screw (Choke Valve)	306	697359	Shield-Cylinder
			232	691842	Spring-Governor Link	307	691003	Screw (Cylinder Shield)
			238	691843	Cap-Valve	309	693551	Motor-Starter
			240	394358S	Filter-Fuel (White, 75 Microns) Used on Type No(s). 0118, 0119, 0121, 0123, 0124, 0130, 0163, 0168, 0214, 0215, 0236, 0238, 0241, 0285, 0333, 0524.	310	690323	Screw (Starter Motor)
					----- Note -----	311	497608	Brush Set
					298090s Filter-Fuel (Red, 150 Microns) Used on Type No(s). 0115.	333	795315	Armature-Magneto
						334	691061	Screw (Magneto Armature)

Illustrations cover a range of engines. Parts shown without corresponding text may not be used on your specific engine.  
 5501-14 Assemblies include all parts shown in frames. 03/06/2009

REF. NO.	PART NO.	DESCRIPTION	REF. NO.	PART NO.	DESCRIPTION	REF. NO.	PART NO.	DESCRIPTION
337	491055S	Plug-Spark Used on Type No(s). 0115, 0116, 0120, 0165, 0214, 0215, 0238, 0241, 0285.	474A	696578	Alternator (DC Only) Used on Type No(s). 0120, 0121, 0165.	552	697144	Bushing-Governor Crank
		----- Note ----- 691043 Plug-Spark Used on Type No(s). 0113, 0118, 0119, 0121, 0123, 0124, 0130, 0163, 0164, 0166, 0167, 0168, 0236, 0333, 0524.	474B	696459	Alternator (Dual Circuit) Used on Type No(s). 0113, 0115, 0118, 0119, 0124, 0130, 0163, 0214, 0215, 0236, 0238, 0241, 0285, 0333, 0524.	559	697561	Screw (Remote Choke Stop)(Assemble Remote/Manual Choke Stop Screw in "R" Hole) Used on Type No(s). 0165, 0236, 0333.
356	697397	Wire-Stop	474C	696457	Alternator (Tri Circuit) Used on Type No(s). 0116, 0123, 0164, 0166, 0167, 0168.	559A	693675	Screw (Remote Choke Stop) Used on Type No(s). 0236, 0238.
356A	398808	Wire-Stop				562	691119	Bolt (Governor Control Lever)
356B	697089	Wire-Stop	501A	691188	Regulator Used on Type No(s). 0116, 0123, 0164, 0166, 0167, 0168.	578	692306	Wire Assembly (DC Only)
356C	399222	Wire-Stop				579	691029	Nut (Starter Cable)
358	697151	Gasket Set-Engine	505	691251	Nut (Governor Control Lever)	584	794682	Cover-Breather Passage (Use With Liquid Sealant Reference 850)
359	691077	Washer (Ground Terminal)	507	691972	Insulator Used on Type No(s). 0120, 0165.	597	691696	Screw (Pawl Friction Plate) Used on Type No(s). 0130, 0165.
363	19203	Puller-Flywheel	510	693699	Drive-Starter	601	791850	Clamp-Hose (Zinc Plate)(Spring Wire)
373	691612	Nut (Ground Terminal)	513	692024	Clutch-Drive	608	695058	Starter-Rewind Used on Type No(s). 0130, 0165.
383	89838S	Wrench-Spark Plug	520	691084	Terminal-Ground Used on Type No(s). 0120, 0165.	613	691416	Screw (Muffler)
385	694476	Screw (Fuel Pump)	521	690581	Shield-Cable Used on Type No(s). 0113, 0121, 0214, 0215, 0241, 0333.	613A	691678	Screw (Muffler)
385A	690297	Screw (Fuel Pump)	523	699908	Dipstick	613B	690297	Screw (Muffler)
387	697090	Pump-Fuel (Includes Mounting Bracket) (Used Before Code Date 08073000).	524	691032	Seal-Dipstick Tube	614	691620	Pin-Cotter
387A	808656	Pump-Fuel	525	697184	Tube-Dipstick ----- Note ----- 697085 Tube-Dipstick Used on Type No(s). 0113, 0116, 0120, 0164, 0165, 0166, 0167.	616	692012	Crank-Governor
404	691691	Washer (Governor Crank)				617	692138	Seal-O Ring (Intake Manifold)
415	794903	Plug	526A	697088	Screw (Regulator)	621	692310	Switch-Stop Used on Type No(s). 0120, 0165.
415A	794129	Plug (Cover/Retainer)	527	698467	Clamp-Tube Used on Type No(s). 0236, 0238.	634	690802	Spring/Seal Assembly (Walbro)
431	697122	Elbow-Intake				634A	698779	Spring/Seal Assembly (Nikki)
445	698413	Filter-Air Cleaner Cartridge (Non Washable)						
455	695113	Cup-Flywheel Used on Type No(s). 0130, 0165.						
456	695128	Plate-Pawl Friction Used on Type No(s). 0130, 0165.						
459	281505S	Pawl-Ratchet Used on Type No(s). 0130, 0165.						

*Illustrations cover a range of engines. Parts shown without corresponding text may not be used on your specific engine.*

# 21A800

REF. NO.	PART NO.	DESCRIPTION	REF. NO.	PART NO.	DESCRIPTION	REF. NO.	PART NO.	DESCRIPTION
635	691909	Boot-Spark Plug	757	793542	Link-Counterweight	850	100100	Sealant-Liquid
643	697155	Retainer-Air Filter	758	697391	Counterweight			(Rocker Cover Gasket
652	793380	Screw			(Used After Code Date			and Breather Gasket)
		(Support Assy)			05100200).			(Used After Code Date
654	690958	Nut			----- Note -----			07071800).
		(Carburetor)			795940 Counterweight	851	692424	Terminal-Spark Plug
676	396903	Deflector-Muffler			(Used Before Code	864	794661	Adapter-Muffler
		(Direct Out)			Date 05100300).			(Length 1.75 Inches)
		----- Note -----			Must Use Kit 795940,			----- Note -----
		795036 Deflector-			Includes Sump And			796002 Adapter-
		Muffler			Counterweight.			Muffler
		(Side Out)			795957 Counterweight			(Length 2.25 Inches)
		Used on Type No(s).			(Used Before Code	868	690968	Seal-Valve
		0113, 0120, 0123,			Date 05100300).	877	393456	Wire/Connector-
		0130, 0165.			Used on Type No(s).			Alternator
677	690661	Screw			0113, 0121.			(Dual Circuit)
		(Muffler Deflector)	773	796448	Retainer	877A	393814	Wire/Connector-
687	697175	Slide-Control	783	693713	Gear-Pinion			Alternator
		Used on Type No(s).	788	699347	Bracket-Fuel Pump			(DC Only)
		0120, 0165.			(Used Before Code	877B	393537	Wire/Connector-
688	690395	Cap-Friction			Date 08073000).			Alternator
		Used on Type No(s).			Used on Type No(s).			(Tri Circuit)
		0120, 0165.			0164.	878	398661	Harness-Alternator
689	691855	Spring-Friction	789	698329	Harness-Wiring			(Dual Circuit)
		Used on Type No(s).	789A	790544	Harness-Wiring	878A	691955	Harness-Alternator
		0130, 0165.	797	693167	Nut			(Tri Circuit)
689A	690529	Spring-Friction	801	691283	Cap-Drive	883	692236	Gasket-Exhaust
		Used on Type No(s).	802	691286	Cap-End	914	691108	Screw
		0120, 0165.	823	698941	Screw			(Rocker Cover)
691	692407	Seal-Governor Shaft			(Muffler Adapter)	918	791851	Hose-Vacuum
692	691301	Spring-Detent						(Molded)
		Used on Type No(s).				920	691656	Solenoid-Starter
		0165.	830	691095	Stud-Rocker Arm			Used on Type No(s).
697	690372	Screw	842	691031	Seal-O Ring			0123.
		(Drive Cap)			(Dipstick Tube)	943	690589	Seal-O Ring
705	790561	Nut	843	697158	Sleeve-Lever			(Oil Pump Cover)
		(Fuel Tank)	847	790442	Dipstick/Tube	950	691657	Screw-Float Bowl
718	690959	Pin-Locating			Assembly	957	792647	Cap-Fuel Tank
727	490324	Cover-Starter Drive			Used on Type No(s).			(Plastic)
		Used on Type No(s).			0118, 0119, 0121,	958	698183	Valve-Fuel Shut Off
		0115.			0123, 0124, 0130,			(Plastic)
729	691335	Clip-Wire			0168, 0214, 0215,			Used on Type No(s).
		(Wire Retainer)			0236, 0238, 0241,			0121, 0166, 0167,
729A	691224	Clip-Wire			0285, 0333, 0524.			0168.
		(Starter Motor)			----- Note -----	965	499613	Cover-Oil Pump
732	691002	Screw			790443 Dipstick/Tube	967	697292	Filter-Pre Cleaner
		(Starter Drive Cover)			Assembly	968	697420	Cover-Air Cleaner
		Used on Type No(s).			Used on Type No(s).			(Black)
		0115.			0113, 0116, 0120,			
741	697128	Gear-Timing			0164, 0165, 0166,			
750	790832	Screw			0167.			
		(Oil Pump Cover)						

Illustrations cover a range of engines. Parts shown without corresponding text may not be used on your specific engine.

REF. NO.	PART NO.	DESCRIPTION	REF. NO.	PART NO.	DESCRIPTION	REF. NO.	PART NO.	DESCRIPTION
972	792168	Tank-Fuel (Plastic) Used on Type No(s). 0120, 0165.	1023	791079	Cover-Rocker	1070A	690363	Screw (Used Before Code Date 08061900 and After Code Date 07040800).
975	495933	Bowl-Float (Walbro)	1024	499054	Pump-Oil (Used Before Code Date 07051700).			
975A	698783	Bowl-Float (Nikki)	1024A	794644	Pump-Oil (Used After Code Date 07051600).	1090	691293	Retainer-Brush (Flywheel Fan)
977	690192	Gasket Set-Carburetor (Walbro)	1026	794573	Rod-Push (Exhaust)	1091	691333	Cap-Limiter
987	691326	Seal-Throttle Shaft (Walbro)			----- Note ----- 697394 Rod-Push (Intake)	1095	691581	Gasket Set-Valve
987A	698777	Seal-Throttle Shaft (Nikki)	1027	492932S	Filter-Oil	1119	691183	Screw (Alternator)
1005	796082	Fan-Flywheel (Used After Code Date 07040800).	1029	691751	Arm-Rocker	1127	695407	Screw (Float Bowl)
1005A	796200	Fan-Flywheel (Used Before Code Date 07010900).	1032	491710	Ball-Oil Pump	1136	690278	Screw (Control Bracket)(High Speed Control) Used on Type No(s). 0120, 0165.
1005B		Fan-Flywheel (No Longer Available) (See Reference 1005A For Service Flywheel Fan).	1034	690822	Guide-Push Rod Label-Emissions (Available From A Briggs & Stratton Authorized Dealer)	1139	796449	Washer
1017	796981	Screen-Oil Pump	1036		Plate-Trim	1263	697124	Reed-Breather
1022	272475S	Gasket-Rocker Cover (Used Before Code Date 07091000). (After Date Code Use liquid Sealant Reference 850)	1040	698368	Plate-Trim	1264	697104	Screw (Breather Reed)
			1044	698139	Screw (Flywheel)	1266	691917	Seal-O Ring (Intake Elbow)
			1051	691265	Ring-Retaining	1266A	697123	Seal-O Ring (Intake Elbow)
			1054	280275	Tie-Cable	1267	697419	Latch-Blower Housing (Black)
			1058	275935	Manual-Operator's Kit-Screw/Washer	1270	697156	Plug-AVS Counterweight
			1059	698516	Kit-Screw/Washer	1319	794467	Label-Warning
			1070	690372	Screw (Flywheel Fan) (Used Before Code Date 07040900).			

Illustrations cover a range of engines. Parts shown without corresponding text may not be used on your specific engine.  
5501-17 Assemblies include all parts shown in frames. 03/06/2009

Not for  
Reproduction

Not for  
Reproduction

Not for  
Reproduction

