



# Illustrated Parts List

## Model Series

# 21B800

TYPE NUMBERS  
0100 through 4123.

### TABLE OF CONTENTS

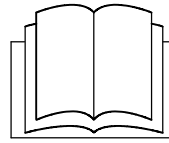
<b>Air Cleaner</b> .....	6
<b>Alternator</b> .....	9
<b>Blower Housing</b> .....	6
<b>Camshaft</b> .....	3
<b>Carburetor</b> .....	5
<b>Controls</b> .....	8
<b>Crankshaft</b> .....	3
<b>Cylinder</b> .....	2
<b>Cylinder Head</b> .....	4
<b>Electric Starter</b> .....	9
<b>Engine Sump</b> .....	2
<b>Exhaust System</b> .....	6
<b>Fuel Supply</b> .....	8
<b>Flywheel</b> .....	7
<b>Gasket Set - Engine</b> .....	4
<b>Gasket Set - Valve</b> .....	4
<b>Governor Spring</b> .....	8
<b>Ignition</b> .....	9
<b>Intake Manifold</b> .....	4
<b>Kit - Carburetor Overhaul</b> .....	5
<b>Lubrication</b> .....	3
<b>Operator's Manual</b> .....	2
<b>Piston, Rings, Connecting Rod</b> .....	3
<b>Valves</b> .....	4
<b>Warning Label</b> .....	2



PRINTED IN U.S.A.

COPYRIGHT by BRIGGS & STRATTON CORPORATION  
All rights reserved. No part of this material may be reproduced or transmitted, in any form or by any means, electronic or mechanical, including photocopying, recording or by any information storage and retrieval system, without permission in writing from Briggs & Stratton Corporation.

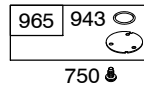
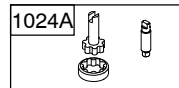
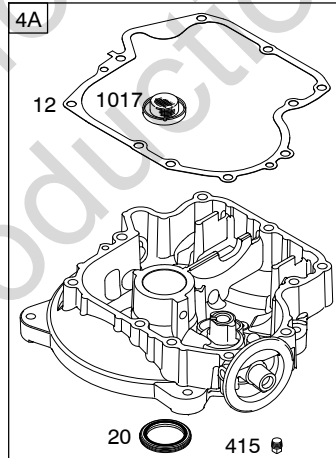
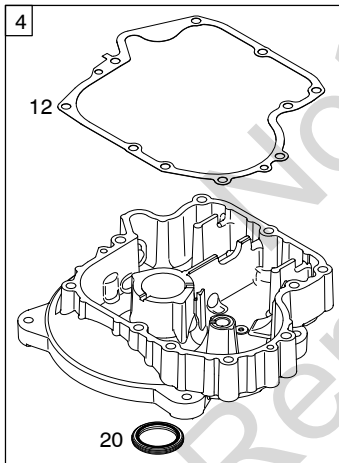
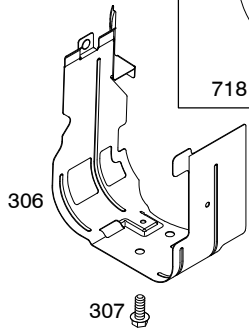
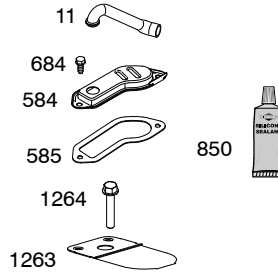
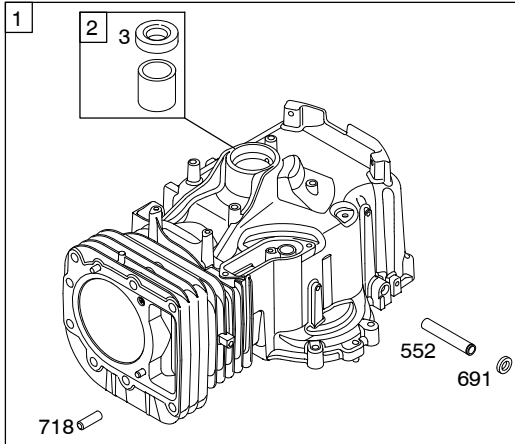
1058 OPERATOR'S MANUAL



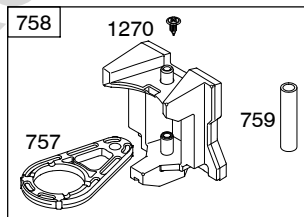
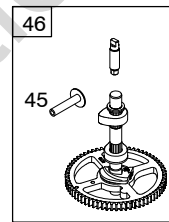
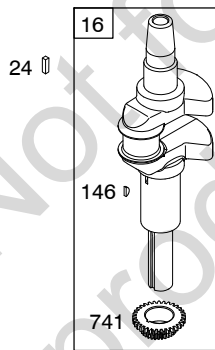
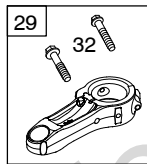
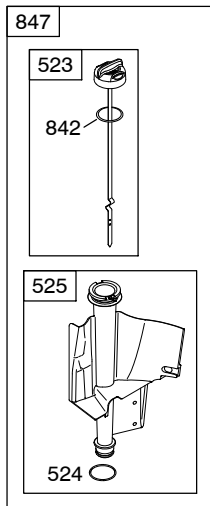
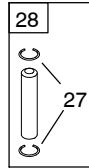
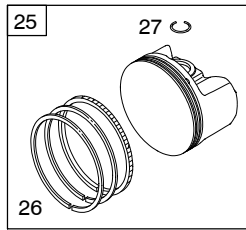
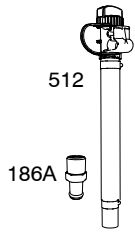
1319 WARNING LABEL

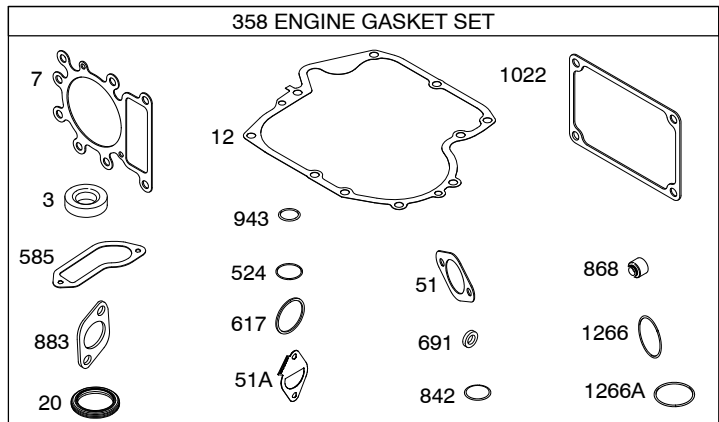
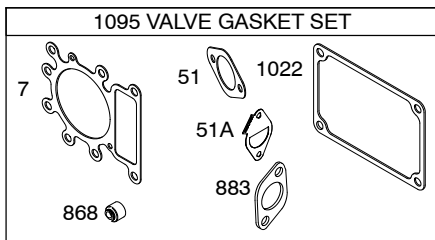
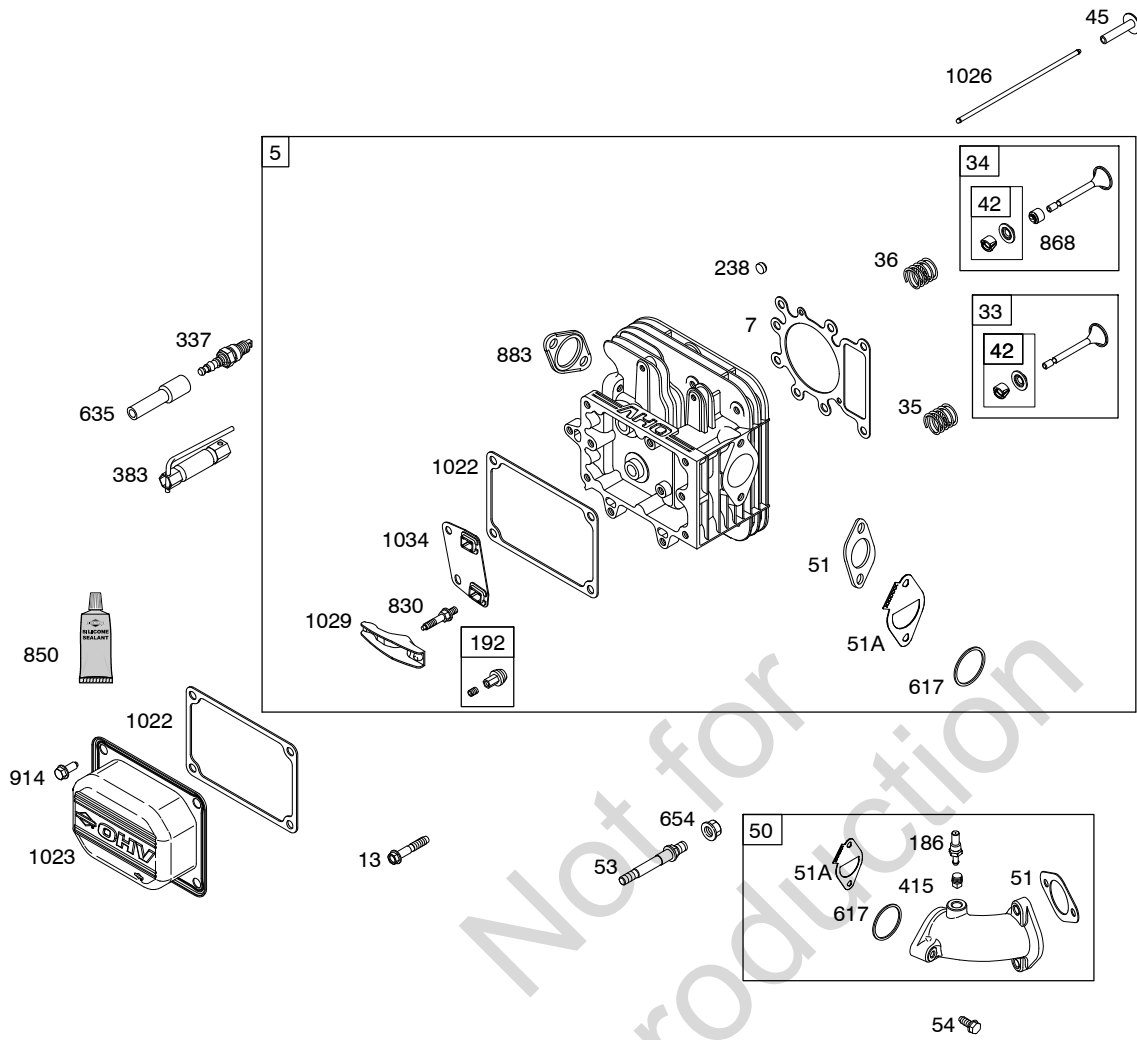
<b>WARNING</b>	
	Read and follow Operating Instructions before running engine.
	Gasoline is flammable. Allow engine to cool at least 2 minutes before refueling.
	Engines emit carbon monoxide, DO NOT run in enclosed area.
	Muffler area temperature may exceed 150°F. Do not touch hot parts.

**REQUIRED** when replacing parts with warning labels affixed.

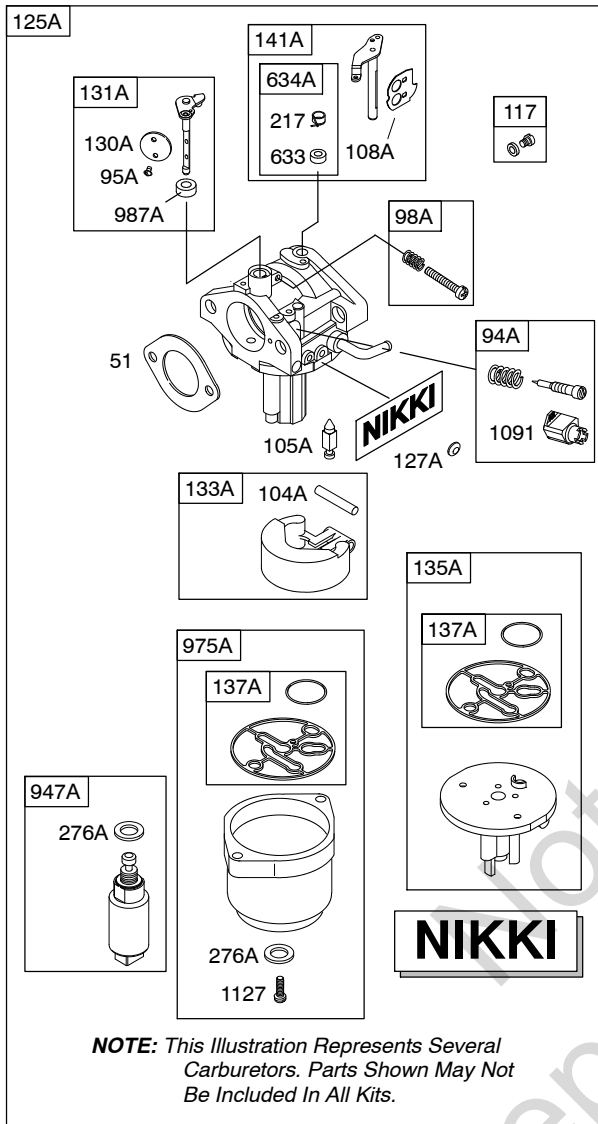


Illustrations cover a range of engines. Parts shown without corresponding text may not be used on your specific engine.



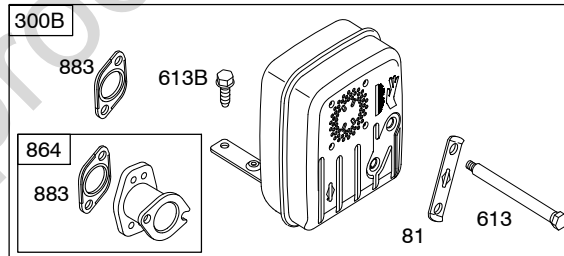
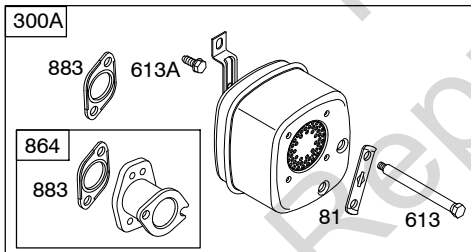
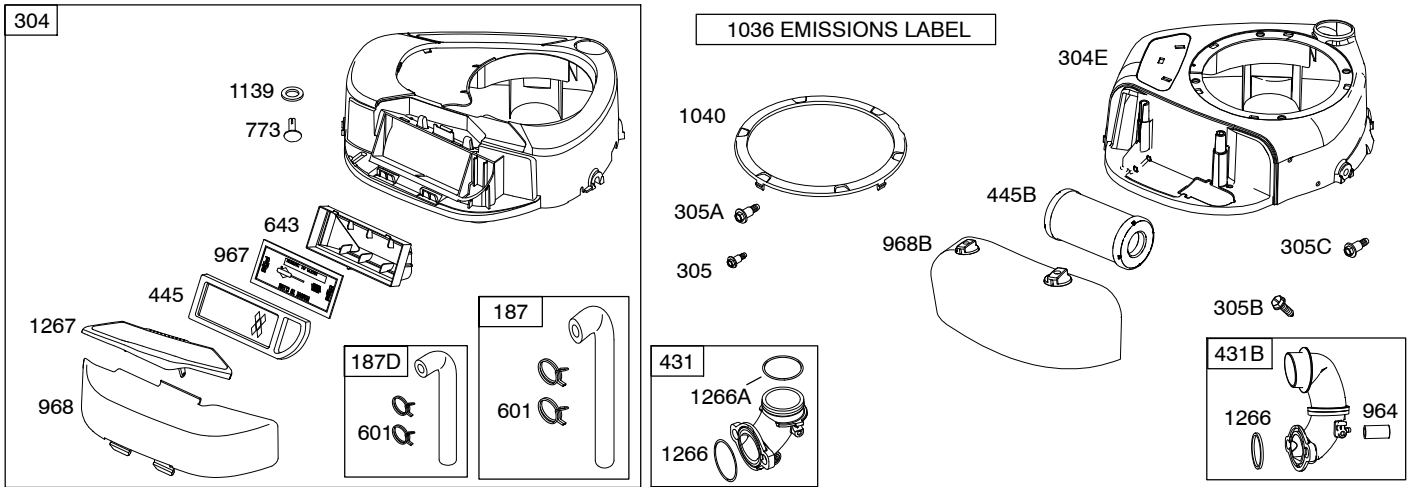


**Illustrations cover a range of engines. Parts shown without corresponding text may not be used on your specific engine.**  
**5879-4** Assemblies include all parts shown in frames. **11/05/2010**

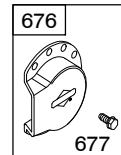


121A CARBURETOR OVERHAUL KIT			
51	127A	137A	98A
104A	987A		
105A	633	1266	217
51A	617	1266A	276A

# 21B800



823

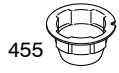


Illustrations cover a range of engines. Parts shown without corresponding text may not be used on your specific engine.  
 5879-6 Assemblies include all parts shown in frames. 11/05/2010

74 



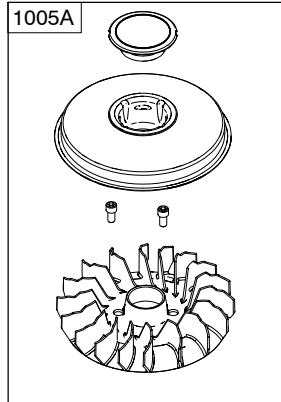
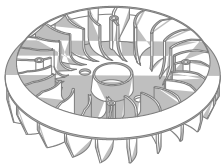
73



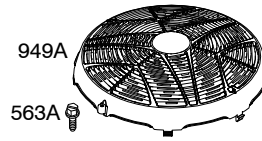
455

1070 

1005B

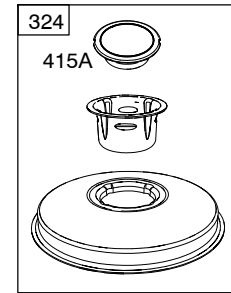


1005A




949A

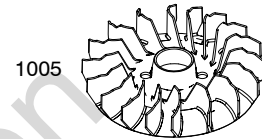
563A 



324

415A

1070A 



1005



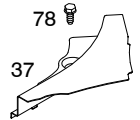
363



1044

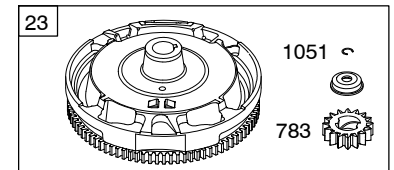


75



78 

37



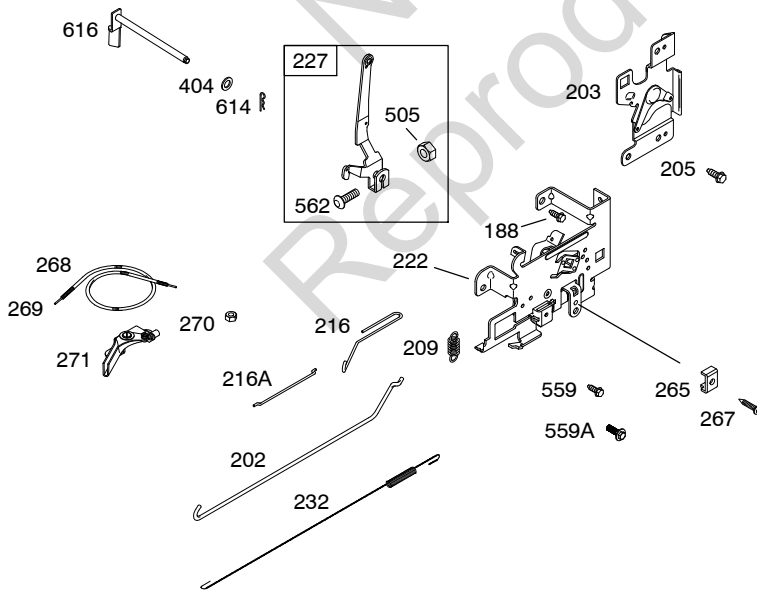
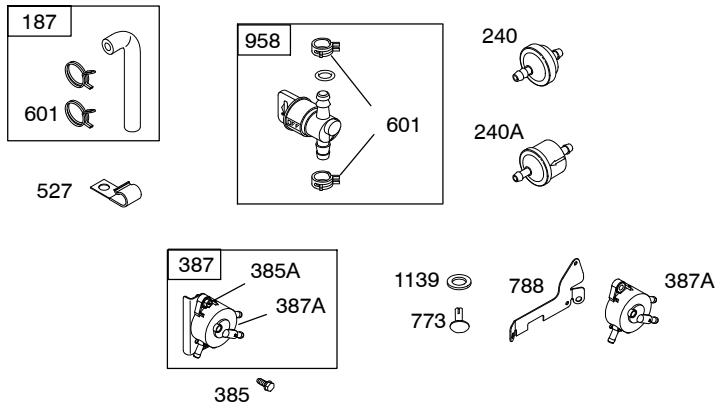
23

1051 

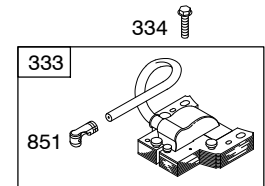
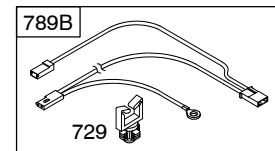
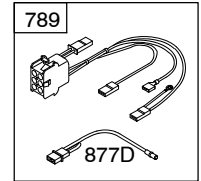
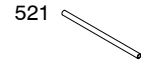
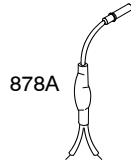
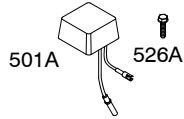
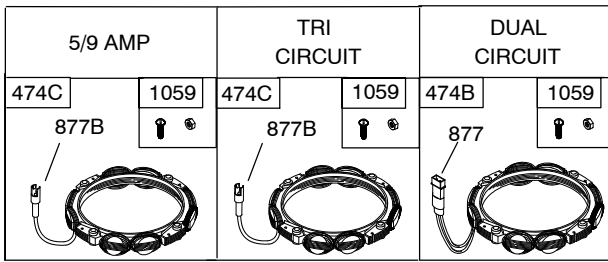
783 

Not for  
Reproduction

# 21B800

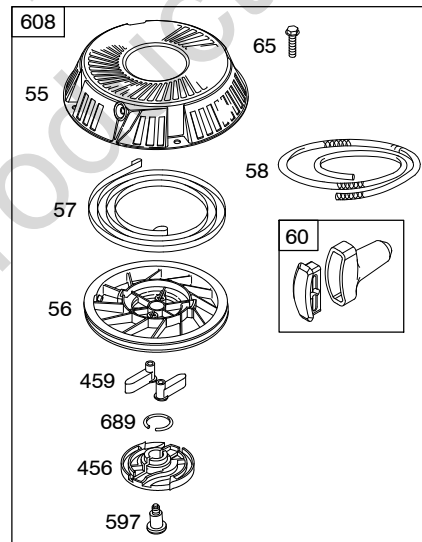
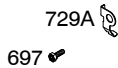
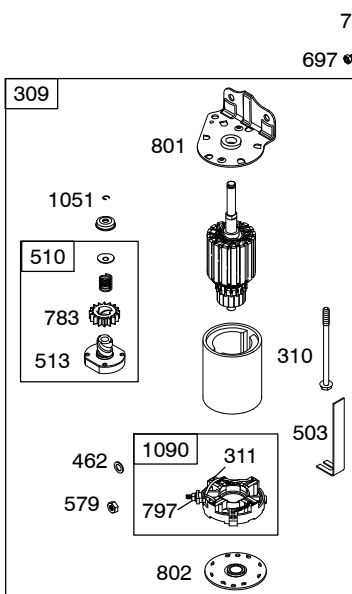


**Illustrations cover a range of engines. Parts shown without corresponding text may not be used on your specific engine.**  
5879-8 Assemblies include all parts shown in frames. 11/05/2010



**NOTE:** All stators use a No. 1119 mounting screw.

**NOTE:** The proper flywheel part number and/or the alternator magnet size will determine the alternator type or output. See repair instruction manual for additional information.



# 21B800

REF. NO.	PART NO.	DESCRIPTION	REF. NO.	PART NO.	DESCRIPTION	REF. NO.	PART NO.	DESCRIPTION
1	697377	Cylinder Assembly	20	795387	Seal-Oil (PTO Side)		792307	Piston Assembly (Standard)
2	399265	Kit-Bushing/Seal (Magneto Side)	22	692125	Screw (Crankcase Cover/Sump)			Used on Type No(s). 0112, 0113, 0114, 0115, 0116, 0117, 0119, 0120, 0121, 0122, 0123, 0125, 0126, 0127, 0130, 0132, 0133, 0135, 0136, 0137, 0138, 0139, 0142, 0168, 0326, 0453, 0505, 0649, 0667, 1167, 1169, 4120, 4123.
3	391086S	Seal-Oil (Magneto Side)	23	698281	Flywheel			
4	697106	Sump-Engine (Used After Code Date 05100200). ----- Note ----- 795940 Sump-Engine (Used Before Code Date 05100200). Must Use Kit 795940, Includes Sump And Counterweight.			----- Note ----- 698282 Flywheel Used on Type No(s). 0112, 0113, 0115, 0116, 0117, 0119, 0122, 0123, 0132, 0133, 0138, 0139, 0142, 0168, 4123. 693557 Flywheel Used on Type No(s). 0125, 0130.			
4A	697188	Sump-Engine Used on Type No(s). 0127.	24	222698S	Key-Flywheel			792728 Piston Assembly (.020" Oversize) Used on Type No(s). 0112, 0113, 0114, 0115, 0116, 0117, 0119, 0120, 0121, 0122, 0123, 0125, 0126, 0127, 0130, 0132, 0133, 0135, 0136, 0137, 0138, 0139, 0142, 0168, 0326, 0453, 0505, 0649, 0667, 1167, 1169, 4120, 4123.
5	796183	Head-Cylinder	25	797009	Piston Assembly (Standard) Used on Type No(s). 0100, 0134, 0141, 0236, 0239, 0289, 0290, 0296, 0297, 0372, 0422, 0448, 0735, 0842, 0852, 1393, 1453, 1461, 1499, 2453, 2505.			
7	273280S	Gasket -Cylinder Head			797010 Piston Assembly (.020" Oversize) Used on Type No(s). 0100, 0134, 0141, 0236, 0239, 0289, 0290, 0296, 0297, 0372, 0422, 0448, 0735, 0842, 0852, 1393, 1453, 1461, 1499, 2453, 2505.			
11	794683	Tube-Breather						
12	697110	Gasket-Crankcase (.015" Thick ) (Standard)						
13	690360	Screw (Cylinder Head)						
15	690946	Plug-Oil Drain (3/8" Standard)						
16	796146	Crankshaft Used on Type No(s). 0100, 0134, 0141, 0236, 0239, 0289, 0290, 0296, 0297, 0372, 0422, 0448, 0735, 0842, 0852, 1393, 1453, 1499, 2453, 2505. ----- Note ----- 697390 Crankshaft Used on Type No(s). 0112, 0113, 0114, 0115, 0116, 0117, 0119, 0120, 0121, 0122, 0123, 0125, 0126, 0127, 0130, 0132, 0133, 0135, 0136, 0137, 0138, 0139, 0142, 0168, 0326, 0453, 0505, 0649, 0667, 1167, 1169, 4120, 4123.						

Illustrations cover a range of engines. Parts shown without corresponding text may not be used on your specific engine.  
5879-10 Assemblies include all parts shown in frames. 11/05/2010

REF. NO.	PART NO.	DESCRIPTION	REF. NO.	PART NO.	DESCRIPTION	REF. NO.	PART NO.	DESCRIPTION
26	797011	Ring Set (Standard) Used on Type No(s). 0141, 0735, 0842, 0852, 1393, 1453, 1461, 1499. ----- Note ----- <b>797011</b> Ring Set (Standard) (Used After Code Date 09041500). Used on Type No(s). 0100, 0134, 0236, 0239, 0289, 0290, 0296, 0297, 0372, 0422, 0448, 2453, 2505. <b>792306</b> Ring Set (Standard) (Used Before Code Date 09041600 and After Code Date 08090100). Used on Type No(s). 0100, 0134, 0236, 0239, 0289, 0290, 0296, 0297, 0372, 0422, 0448, 2453, 2505. <b>698375</b> Ring Set (Standard) (Used Before Code Date 08090200). Used on Type No(s). 0100, 0134, 0236, 0239, 0289, 0290, 0296, 0297, 0372, 0422, 0448, 2453, 2505. <b>797012</b> Ring Set (.020" Oversize) Used on Type No(s). 0141, 0735, 0842, 0852, 1393, 1453, 1461, 1499. <b>797012</b> Ring Set (.020" Oversize) (Used After Code Date 09041500). Used on Type No(s). 0100, 0134, 0236, 0239, 0289, 0290, 0296, 0297, 0372, 0422, 0448, 2453, 2505.			<b>697120</b> Ring Set (.020" Oversize) (Used Before Code Date 09041600). Used on Type No(s). 0100, 0134, 0236, 0239, 0289, 0290, 0296, 0297, 0372, 0422, 0448, 2453, 2505. <b>792306</b> Ring Set (Standard) Used on Type No(s). 0112, 0113, 0114, 0115, 0116, 0117, 0119, 0120, 0121, 0122, 0123, 0125, 0126, 0127, 0130, 0132, 0133, 0135, 0136, 0137, 0138, 0139, 0142, 0168, 0326, 0453, 0505, 0649, 0667, 1167, 1169, 4120, 4123. <b>792643</b> Ring Set (.020" Oversize) Used on Type No(s). 0112, 0113, 0114, 0115, 0116, 0117, 0119, 0120, 0121, 0122, 0123, 0125, 0126, 0127, 0130, 0132, 0133, 0135, 0136, 0137, 0138, 0139, 0142, 0168, 0326, 0453, 0505, 0649, 0667, 1167, 1169, 4120, 4123.	<b>27</b> <b>698469</b> Lock-Piston Pin <b>28</b> <b>797013</b> Pin-Piston Used on Type No(s). 0141, 0735, 0842, 0852, 1393, 1453, 1461, 1499. ----- Note ----- <b>797013</b> Pin-Piston (Used Before Code Date 09041600). (Used After Code Date 09041500). Used on Type No(s). 0100, 0134, 0236, 0239, 0289, 0290, 0296, 0297, 0372, 0422, 0448, 2453, 2505. <b>697099</b> Pin-Piston (Used Before Code Date 09041600). Used on Type No(s). 0100, 0134, 0236, 0239, 0289, 0290, 0296, 0297, 0372, 0422, 0448, 2453, 2505. <b>697099</b> Pin-Piston Used on Type No(s). 0112, 0113, 0114, 0115, 0116, 0117, 0119, 0120, 0121, 0122, 0123, 0125, 0126, 0127, 0130, 0132, 0133, 0135, 0136, 0137, 0138, 0139, 0142, 0168, 0326, 0453, 0505, 0649, 0667, 1167, 1169, 4120, 4123.	<b>29</b> <b>791633</b> Rod-Connecting (Standard) <b>32</b> <b>791118</b> Screw (Connecting Rod) <b>33</b> <b>792868</b> Valve-Exhaust <b>34</b> <b>791935</b> Valve-Intake <b>35</b> <b>691279</b> Spring-Valve (Intake) <b>36</b> <b>691279</b> Spring-Valve (Exhaust)	

*Illustrations cover a range of engines. Parts shown without corresponding text may not be used on your specific engine.*  
 5879-11 Assemblies include all parts shown in frames. 11/05/2010

# 21B800

REF. NO.	PART NO.	DESCRIPTION	REF. NO.	PART NO.	DESCRIPTION	REF. NO.	PART NO.	DESCRIPTION
37	697352	Guard-Flywheel	117	796079	Jet-Main (Standard)		794352	Jet-Main (Standard)
42	499586	Keeper-Valve			(Carburetor 794458 and 794459)			(Carburetor 793371 and 793372)
43	691968	Slinger-Governor/Oil			Used on Type No(s). 0132, 0133, 0134, 0135, 0136, 0137, 0138, 0139, 0141, 0142, 0168, 0842, 0852, 1393, 1453, 1461, 1499, 2453, 2505, 4120, 4123.			(Used Before Code Date 08121500). Used on Type No(s). 0112, 0115, 0117, 0127, 0130.
45	690564	Tappet-Valve			----- Note -----			794352 Jet-Main (Standard)
46	793880	Camshaft			796079 Jet-Main (Standard)			(Carburetor 793371 and 793372)
50	796188	Manifold-Intake			(Carburetor 794458 and 794459)			(Used Before Code Date 08110600). Used on Type No(s). 0100, 0113, 0114, 0116, 0119, 0120, 0121, 0122, 0123, 0125B1, 0126, 0297, 0453, 0505, 0649, 0667, 1167, 1169.
51	692137	Gasket-Intake			(Used After Code Date 08042700).			794352 Jet-Main (Standard)
51A	796081	Gasket-Intake			Used on Type No(s). 0125G1.			(Carburetor 793371 and 793372)
53	690227	Stud (Carburetor)			796079 Jet-Main (Standard)			(Used Before Code Date 08110600).
54	691148	Screw (Intake Manifold)			(Carburetor 794458 and 794559)			Used on Type No(s). 0100, 0113, 0114, 0116, 0119, 0120, 0121, 0122, 0123, 0125B1, 0126, 0297, 0453, 0505, 0649, 0667, 1167, 1169.
55	695130	Housing-Rewind Starter			(Used After Code Date 08121400).			794352 Jet-Main (Standard)
56	695129	Pulley-Starter			Used on Type No(s). 0112, 0115, 0117, 0127, 0130.			(Carburetor 793371 and 793372)
57	695131	Spring-Rewind Starter			796079 Jet-Main (Standard)			(Used Before Code Date 08110600).
58	695132	Rope-Starter			(Carburetor 794458 and 794459)			Used on Type No(s). 0100, 0113, 0114, 0116, 0119, 0120, 0121, 0122, 0123, 0125B1, 0126, 0297, 0453, 0505, 0649, 0667, 1167, 1169.
60	493926	Grip-Starter Rope			(Used After Code Date 08110500).			794352 Jet-Main (Standard)
65	690759	Screw			Used on Type No(s). 0100, 0113, 0114, 0116, 0119, 0120, 0121, 0122, 0123, 0125B1, 0126, 0297, 0453, 0505, 0649, 0667, 1167, 1169.			(Carburetor 793371 and 793372)
73		Screen-Rotating (Used Before Code Date 07040900). (No Longer Available. See Reference 1005A For Service Flywheel Fan)			Used on Type No(s). 0112, 0115, 0117, 0127, 0130.			(Used Before Code Date 07011400). Used on Type No(s). 0239, 0289, 0290, 0296, 0326, 0372, 0422, 0448.
74	697897	Screw (Rotating Screen) (Used Before Code Date 07040900).			796079 Jet-Main (Standard)			699897 Jet-Main (Standard)
75	690582	Washer (Flywheel)			(Carburetor 794458 and 794459)			(Used Before Code Date 07011500).
78	691693	Screw (Flywheel Guard)			(Used After Code Date 08110500).			Used on Type No(s). 0236, 0239, 0289, 0290, 0296, 0326, 0372, 0422, 0448.
81	691178	Lock-Muffler Screw			Used on Type No(s). 0100, 0113, 0114, 0116, 0119, 0120, 0121, 0122, 0123, 0125B1, 0126, 0239, 0289, 0290, 0296, 0297, 0326, 0372, 0422, 0448, 0453, 0505, 0649, 0667, 1167, 1169.			794352 Jet-Main (Standard)
94A	793610	Kit-Idle Mixture			Used on Type No(s). 0100, 0113, 0114, 0116, 0119, 0120, 0121, 0122, 0123, 0125B1, 0126, 0239, 0289, 0290, 0296, 0297, 0326, 0372, 0422, 0448, 0453, 0505, 0649, 0667, 1167, 1169.			(Carburetor 793371 and 793372)
95A	690718	Screw (Throttle Valve)			Used on Type No(s). 0100, 0113, 0114, 0116, 0119, 0120, 0121, 0122, 0123, 0125B1, 0126, 0239, 0289, 0290, 0296, 0297, 0326, 0372, 0422, 0448, 0453, 0505, 0649, 0667, 1167, 1169.			(Used Before Code Date 08042800).
98A	695408	Kit-Idle Speed			Used on Type No(s). 0125G1.			Used on Type No(s). 0372, 0422, 0448.
104A	694918	Pin-Float Hinge						
105A	696136	Valve-Float Needle						
108A	698773	Valve-Choke						

Illustrations cover a range of engines. Parts shown without corresponding text may not be used on your specific engine. 5879-12 Assemblies include all parts shown in frames. 11/05/2010

REF. NO.	PART NO.	DESCRIPTION	REF. NO.	PART NO.	DESCRIPTION	REF. NO.	PART NO.	DESCRIPTION	
118	796080	Jet-Main (High Altitude) (Carburetor 794458 and 794459) Used on Type No(s). 0132, 0133, 0134, 0135, 0136, 0137, 0138, 0139, 0141, 0142, 0168, 0842, 0852, 1393, 1453, 1461, 1499, 2453, 2505, 4120, 4123. ----- Note ----- <b>796080</b> Jet-Main (Carburetor 794458 and 794459) (Used After Code Date 08042700). Used on Type No(s). 0125G1. <b>796080</b> Jet-Main (High Altitude) (Carburetor 794458 and 794459) (Used After Code Date 08121400). Used on Type No(s). 0112, 0115, 0117, 0127, 0130. <b>796080</b> Jet-Main (High Altitude) (Carburetor 794458 and 794459) (Used After Code Date 08110500). Used on Type No(s). 0100, 0113, 0114, 0116, 0119, 0120, 0121, 0122, 0123, 0125B1, 0126, 0239, 0289, 0290, 0296, 0297, 0326, 0372, 0422, 0448, 0453, 0505, 0649, 0667, 1167, 1169. <b>794105</b> Jet-Main (High Altitude) (Carburetor 793371 and 793372) (Used Before Code Date 08042800). Used on Type No(s). 0125G1.			<b>794105</b> Jet-Main (High Altitude) (Carburetor 793371 and 793372) (Used Before Code Date 08121500). Used on Type No(s). 0112, 0115, 0117, 0127, 0130. <b>794105</b> Jet-Main (High Altitude) (Carburetor 793371 and 793372) (Used Before Code Date 08110600). Used on Type No(s). 0100, 0113, 0114, 0116, 0119, 0120, 0121, 0122, 0123, 0125B1, 0126, 0297, 0453, 0505, 0649, 0667, 1167, 1169. <b>791405</b> Jet-Main (High Altitude) (Carburetor 793371 and 793372) (Used Before Code Date 08110600 and After Code Date 07011400). Used on Type No(s). 0239, 0289, 0290, 0296, 0326, 0372, 0422, 0448. <b>699898</b> Jet-Main (High Altitude) (Used Before Code Date 07011500). Used on Type No(s). 0236, 0239, 0289, 0290, 0296, 0326, 0372, 0422, 0448.				----- Note ----- <b>796078</b> Carburetor (Nikki) (Used After Code Date 08042700). Used on Type No(s). 0125G1. <b>796078</b> Carburetor (Nikki) (Used After Code Date 08121400). Used on Type No(s). 0112, 0115, 0117, 0127, 0130. <b>796078</b> Carburetor (Nikki) (Used After Code Date 08110500). Used on Type No(s). 0100, 0113, 0114, 0116, 0119, 0120, 0121, 0122, 0123, 0125B1, 0126, 0239, 0289, 0290, 0296, 0297, 0326, 0372, 0422, 0448, 0453, 0505, 0649, 0667, 1167, 1169. <b>794294</b> Carburetor (Nikki) (Used Before Code Date 08042800). Used on Type No(s). 0125G1. <b>790023</b> Carburetor (Nikki) (Used Before Code Date 08121500). Used on Type No(s). 0112, 0115, 0117, 0127, 0130. <b>794294</b> Carburetor (Nikki) (Used Before Code Date 08110600). Used on Type No(s). 0100, 0113, 0114, 0116, 0119, 0120, 0121, 0122, 0123, 0125B1, 0126, 0239, 0289, 0290, 0296, 0297, 0326, 0372, 0422, 0448, 0453, 0505, 0649, 0667, 1167, 1169.
			121	796184	Kit-Carburetor Overhaul				
			125A	796078	Carburetor (Nikki) Used on Type No(s). 0132, 0133, 0134, 0135, 0136, 0137, 0138, 0139, 0141, 0142, 0168, 0842, 0852, 1393, 1453, 1461, 1499, 2453, 2505, 4120, 4123.				

# 21B800

REF. NO.	PART NO.	DESCRIPTION	REF. NO.	PART NO.	DESCRIPTION	REF. NO.	PART NO.	DESCRIPTION
127A	690727	Plug-Welch	209	792602	Spring-Governor	269	691026	Wire-Control
130A	698774	Valve-Throttle			Used on Type No(s).			(Cut to Required Length)
131A	698776	Kit-Throttle Shaft			0100, 0112, 0113,	270	691027	Nut
133A	694914	Float-Carburetor			0122, 0126, 0132,			(Control Wire Casing)
135A	698780	Tube-Fuel Transfer			0133, 0134, 0139,	271	691028	Lever-Control
		(Gravity Feed)			0168, 0239, 0289,	276A	695410	Washer-Sealing
		----- Note -----			0290B1, 0296, 0297,	300A	796000	Muffler
		792022 Tube-Fuel			0326, 0453, 0505,	300B	795997	Muffler
		Transfer			0852, 1167, 1169,			Used on Type No(s).
		(Pump Feed)			1393, 1453, 1461,			0122, 0142.
137A	698781	Gasket-Float Bowl			1499, 2453, 2505.	304	796414	Housing-Blower
141A	698778	Kit-Choke Shaft			----- Note -----	304E	799012	Housing-Blower
146	691639	Key-Timing			796260 Spring-			(Black) (Cylinder Style)
186	794873	Connector-Hose			Governor			Used on Type No(s).
186A	796532	Connector-Hose			Used on Type No(s).			0136, 0137, 0138,
		(Oil Drain)			0114, 0115, 0116,			0141, 0142, 0842,
187	791805	Line-Fuel			0117, 0119, 0120,			0852, 1499, 4120,
		(Formed)(10-1/4			0123, 0135, 0136,			4123.
		Inches Long)(Cut to			0137, 0138, 0141,	305	697102	Screw
		Required Length)			0142, 0290E1, 0448,			(Blower Housing)
187D	791744	Line-Fuel			0649, 0667, 0735,	305A	793376	Screw
		(Formed)(14 Inches			0842, 4120, 4123.			(Panel Filter Blower
		Long)(Cut to Required			690576 Spring-			Housing)
		Length)			Governor	305B	795891	Screw
188	691693	Screw			Used on Type No(s).			(Blower Housing To
		(Control Bracket)			0121, 0236.			Intake Elbow)
192	691986	Adjuster-Rocker Arm			260902 Spring-	305C	799370	Screw
202	691841	Link-Mechanical			Governor			(Cylinder Filter Blower
		Governor			Used on Type No(s).			Housing)
203	691381	Crank-Bell			0372, 0422.	306	697359	Shield-Cylinder
		Used on Type No(s).			792813 Spring-	307	691693	Screw
		0122, 0142.			Governor			(Cylinder Shield)
205	691693	Screw			Used on Type No(s).	309	693551	Motor-Starter
		(Bell Crank)			0125, 0127, 0130.			----- Note -----
			216	691840	Link-Choke			693552 Motor-Starter
			216A	691281	Link-Choke			Used on Type No(s).
					Used on Type No(s).			0130.
					0122, 0142.	310	690323	Bolt
					217 695409 Spring-Choke			(Starter Motor)
					222 694042 Bracket-Control	311	497608	Brush Set
					227 691374 Lever-Governor	324	796308	Screen-Rotating
					Control			(Used After Code Date
					232 691842 Spring-Governor Link			07040800).
					238 691843 Cap-Valve	333	795315	Armature-Magneto
					240 394358S Filter-Fuel	334	691061	Screw
					(White, 75 Microns)			(Magneto Armature)
			240A	691035	Filter-Fuel			
					(Clear, 40 Microns)			
					Used on Type No(s).			
					0112, 0115, 0117,			
					0127, 0130, 0133.			
			265	691024	Clamp-Casing			
			267	794904	Screw			
					(Casing Clamp)			
			268	691025	Casing-Control Wire			
					(Cut to Required			
					Length)			

Illustrations cover a range of engines. Parts shown without corresponding text may not be used on your specific engine.  
 5879-14 Assemblies include all parts shown in frames. 11/05/2010

REF. NO.	PART NO.	DESCRIPTION	REF. NO.	PART NO.	DESCRIPTION	REF. NO.	PART NO.	DESCRIPTION
337	491055S	Plug-Spark ----- <b>Note</b> ----- <b>691043</b> Plug-Spark Used on Type No(s). 0112, 0113, 0115, 0116, 0117, 0119, 0120, 0122, 0123, 0125, 0127, 0132, 0133, 0134, 0138, 0139, 0141, 0142, 0289, 0372, 0505, 0842, 1167, 1169, 1393, 1461, 1499, 2505, 4120, 4123. <b>792015</b> Plug-Spark Used on Type No(s). 0121, 0126, 0136, 0137, 0168, 0422, 0448, 0649, 0667, 0735.	462	691261	Washer (Starter Cable)	562	691119	Bolt (Governor Control Lever)
356B	697089	Wire-Stop	474B	696459	Alternator (Dual Circuit) Used on Type No(s). 0100, 0120, 0121, 0125, 0126, 0127, 0130, 0134, 0141, 0168, 0236, 0239, 0289, 0290, 0296, 0297, 0326, 0372, 0422, 0448, 0453, 0505, 0649, 0667, 0735, 0842, 0852, 1167, 1169, 1393, 1453, 1461, 1499, 2453, 2505, 4120.	563A	799359	Screw (Guard-Debris Screen)
358	796181	Gasket Set-Engine	474C	696457	Alternator (5/9 Amp Regulated Or Tri Circuit) Used on Type No(s). 0112, 0113, 0114, 0115, 0116, 0117, 0119, 0122, 0123, 0132, 0133, 0135, 0136, 0137, 0138, 0139, 0142, 4123.	579	691029	Nut (Starter Cable)
363	19203	Flywheel Puller	501A	794360	Regulator	584	794682	Cover-Breather Passage (Use With Liquid Sealant Reference 850)
383	89838S	Wrench-Spark Plug	503	691532	Strap-Starter	585	697109	Gasket-Breather (Used Before Code Date 07071900). (After Date Code Use Liquid Sealant Reference 850)
385	694476	Screw (Fuel Pump)	505	691251	Nut (Governor Control Lever)	597	691696	Screw (Pawl Friction Plate)
385A	690297	Screw (Fuel Pump)	510	693699	Drive-Starter	601	791850	Clamp-Hose (Green) ----- <b>Note</b> ----- <b>691038</b> Clamp-Hose (Black)
387	697090	Pump-Fuel (Used Before Code Date 08073000). Used on Type No(s). 0115, 0117.	512	796530	Hose-Oil Drain	608	695058	Starter-Rewind
387A	808656	Pump-Fuel Used on Type No(s). 0112, 0115, 0117, 0127, 0130, 0133.	513	692024	Clutch-Drive	613	691416	Screw (Muffler)
404	691691	Washer (Governor Crank)	521	690581	Shield-Cable	613A	691678	Screw (Muffler)
415	794903	Plug	523	699908	Dipstick	613B	690297	Screw (Muffler)
415A	794129	Plug (Cover/Retainer)	524	691032	Seal-Dipstick Tube	614	691620	Pin-Cotter
431	697122	Elbow-Intake	525	697184	Tube-Dipstick ----- <b>Note</b> ----- <b>697085</b> Tube-Dipstick Used on Type No(s). 0112, 0115, 0117, 0127, 0130, 0133.	616	692012	Crank-Governor
431B	797901	Elbow-Intake Used on Type No(s). 0136, 0137, 0138, 0139, 0141, 0142, 0842, 0852, 1499, 4120, 4123.	526A	697088	Screw (Regulator)	617	692138	Seal-O Ring (Intake Manifold)
445	698413	Filter-Air Cleaner Cartridge	527	698467	Clamp-Tube	633	699813	Seal-Choke/Throttle Shaft
445B	796032	Filter-Air Cleaner Cartridge	552	697144	Bushing-Governor Crank	634A	698779	Spring/Seal Assembly
455	695113	Cup-Flywheel	559	697561	Screw (Remote Choke Stop) (Length .375 Inches)	635	691909	Boot-Spark Plug
456	695128	Plate-Pawl Friction	559A	693675	Screw (Remote Choke Stop) (Length .419 Inches)	643	697155	Retainer-Air Filter
459	281505s	Pawl-Ratchet (Non Washable)				654	690958	Nut (Carburetor)
						676	795036	Deflector-Muffler Used on Type No(s). 0119, 0122, 0125, 0130, 0142.
						676A	396903	Deflector-Muffler Used on Type No(s). 0127.
						677	690661	Screw (Muffler Deflector)
						684	697157	Screw (Breather Assembly)

Illustrations cover a range of engines. Parts shown without corresponding text may not be used on your specific engine.  
5879-15 Assemblies include all parts shown in frames. 11/05/2010

# 21B800

REF. NO.	PART NO.	DESCRIPTION	REF. NO.	PART NO.	DESCRIPTION	REF. NO.	PART NO.	DESCRIPTION
689	691855	Spring-Friction	851	692424	Terminal-Spark Plug	1023	797421	Cover-Rocker
691	692407	Seal-Governor Shaft	864	794661	Adapter-Muffler	1024A	794644	Pump-Oil
697	791680	Screw (Drive Cap)			(Length 1.75 Inches)	1026	794573	Rod-Push (Exhaust)
718	690959	Pin-Locating			----- Note -----			----- Note -----
729	691335	Clip-Wire (Wire Retainer)			796002 Adapter-Muffler			697394 Rod-Push (Intake)
729A	691224	Clip-Wire (Starter Motor)	868	690968	Seal-Valve	1027	492932S	Filter-Oil (Standard)
741	697128	Gear-Timing	877	393456	Wire/Connector-Alternator	1029	691751	Arm-Rocker
757	793242	Link-Counterweight	877B	393537	Wire/Connector-Alternator	1034	690822	Guide-Push Rod
750	790832	Screw (Oil Pump Cover)	877D	790544	Harness-Wiring	1036		Label-Emissions (Available From A Briggs & Stratton Authorized Dealer)
758	697391	Counterweight (Used After Code Date 05100200).	878	398661	Harness-Alternator			Plate-Trim
		----- Note -----	878B	691955	Harness-Alternator	1040	698368	Plate-Trim
		795940 Counterweight (Used Before Code Date 05100300).	883	692236	Gasket-Exhaust	1044	698139	Screw (Flywheel)
		Must Use Kit 795940, Includes Sump And Counterweight.	914	697551	Screw (Rocker Cover)	1051	691265	Ring-Retaining
			920	691656	Solenoid-Starter Used on Type No(s). 0119.	1058	276344	Owner's Manual
			943	690589	Seal-O Ring (Oil Pump Cover)	1059	698516	Kit-Screw/Washer
759	697392	Pin-Counterweight	947A	699915	Solenoid-Fuel	1070	690363	Screw (Flywheel Fan) (Used Before Code Date 07040900).
773	796448	Retainer	949A	799358	Guard-Debris Screen			Screw (Flywheel Fan) (Used Before Code Date 08061900 and After Code Date 07040800).
783	693713	Gear-Pinion	958	698183	Valve-Fuel Shut Off (Plastic)	1070A	791680	Screw (Flywheel Fan) (Used Before Code Date 08061900 and After Code Date 07040800).
788	699347	Bracket (Used Before Code Date 08073000).	964	799159	Cap-Connector	1090	691293	Retainer-Brush
789	698329	Harness-Wiring	965	499613	Cover-Oil Pump	1091	691333	Cap-Limiter
789B	692037	Harness-Wiring	967	697292	Filter-Pre Cleaner	1095	796189	Gasket Set-Valve
797	693167	Nut (Brush Retainer)	968	697420	Cover-Air Cleaner (Black)	1119	691183	Screw (Alternator)
801	691283	Cap-Drive	968B	799016	Cover-Air Cleaner (Black)	1127	695407	Screw (Float Bowl)
802	691286	Cap-End	975A	699502	Bowl-Float	1139	796449	Washer
823	698941	Screw (Muffler Adapter)	977A	790032	Gasket Set-Carburetor	1263	697124	Reed-Breather
830	691095	Stud-Rocker Arm	987A	698777	Seal-Throttle Shaft	1264	697104	Screw (Breather Reed)
842	691031	Seal-O Ring (Dipstick Tube)	1005	796082	Fan-Flywheel (Used After Code Date 07040800).	1266	691917	Seal-O Ring (Intake Elbow)
847	790442	Dipstick/Tube Assembly	1005A	796200	Fan-Flywheel (Used Before Code Date 07040900).	1266A	697123	Seal-O Ring (Intake Elbow)
		----- Note -----	1005B		Fan-Flywheel (No Longer Available) (See Reference 1005A For Service Flywheel Fan).	1267	697419	Latch-Blower Housing (Black)
		790443 Dipstick/Tube Assembly Used on Type No(s). 0112, 0115, 0117, 0127, 0130, 0133.	1017	796981	Screen-Oil Pump	1270	793243	Plug
850	100106	Sealant-Liquid (Rocker Cover Gasket and Breather Gasket) (Used After Code Date 07071800).	1022	272475S	Gasket-Rocker Cover (Used Before Code Date 07091000). (After Date Code Use Liquid Sealant Reference 850)	1319	794467	Label-Warning

Illustrations cover a range of engines. Parts shown without corresponding text may not be used on your specific engine.  
 5879-16 Assemblies include all parts shown in frames. 11/05/2010

Not for  
Reproduction

Not for  
Reproduction

Not for  
Reproduction

Not for  
Reproduction

