



Illustrated Parts List

Model Series

21M300

TYPE NUMBERS
0111 through 1355.

TABLE OF CONTENTS

Alternator	9
Blower Housing/Shrouds	6, 7
Camshaft	2
Carburetor	4
Controls	8
Crankcase Cover	2
Crankshaft	2
Cylinder	2
Cylinder Head	3
Electric Starter	9
Exhaust System	5
Flywheel	7
Fuel Supply	9
Gasket Set - Engine	3
Gasket Set - Valve	3
Governor Spring	8
Ignition	9
Kit - Carburetor Overhaul	4
Lubrication	2
Operator's Manual	2
Piston/Rings/Connecting Rod	2
Rewind Starter	7
Valves	3
Warning Label	2

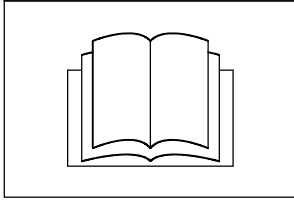


PRINTED IN U.S.A.

COPYRIGHT by BRIGGS & STRATTON CORPORATION
All rights reserved. No part of this material may be reproduced or transmitted, in any form or by any means, electronic or mechanical, including photocopying, recording or by any information storage and retrieval system, without permission in writing from Briggs & Stratton Corporation.

21M300

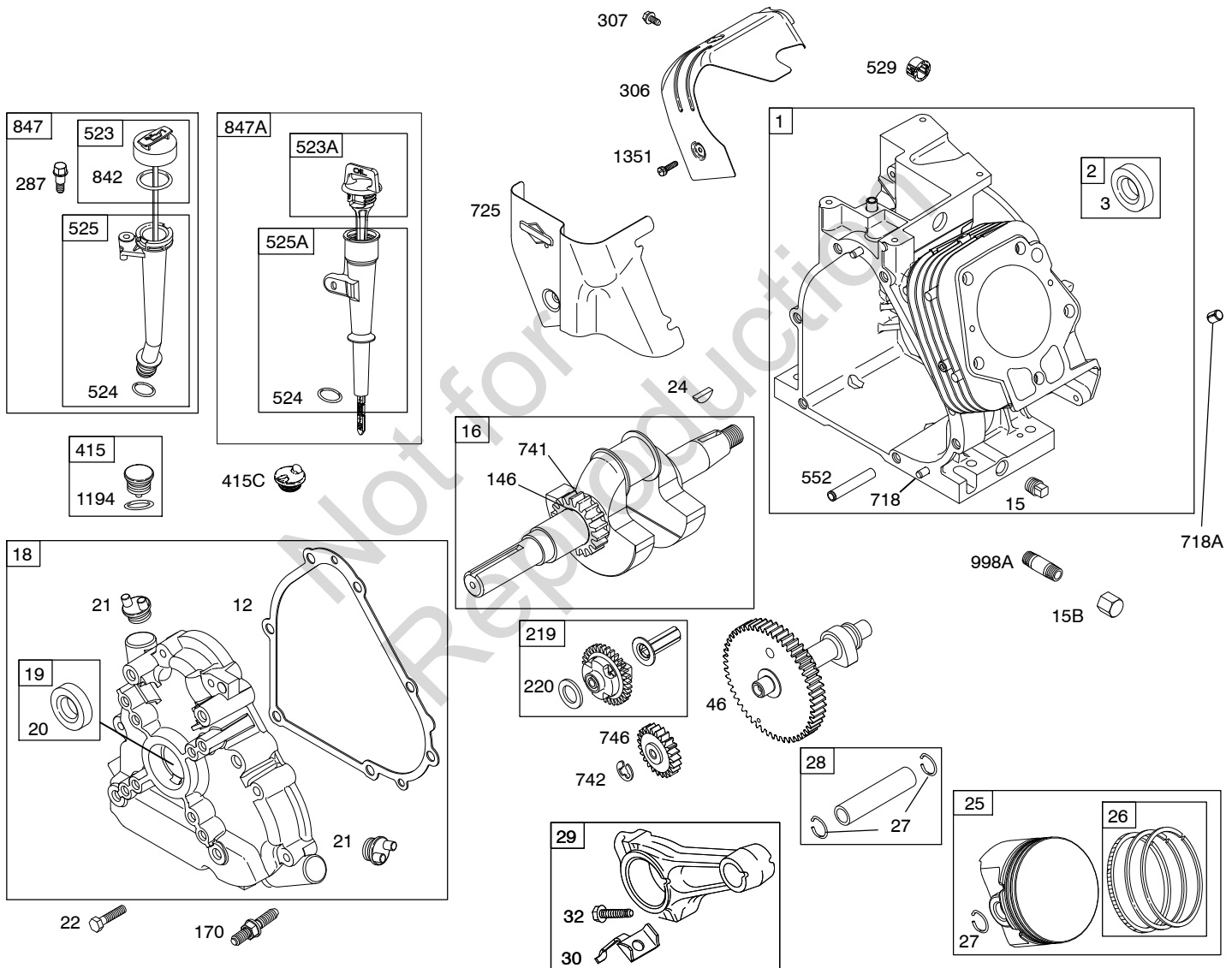
1058 OPERATOR'S MANUAL



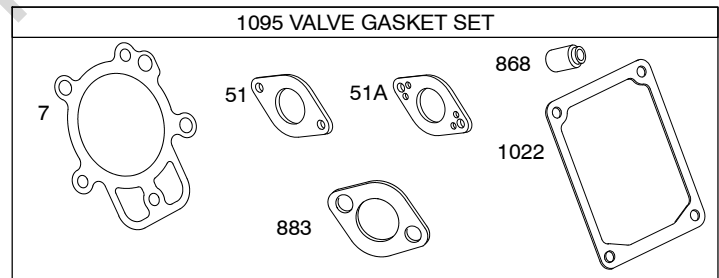
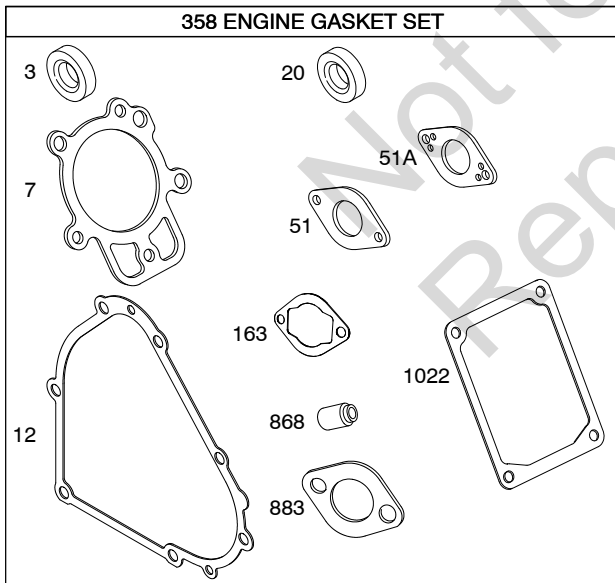
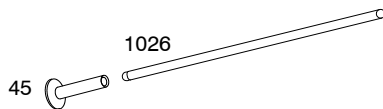
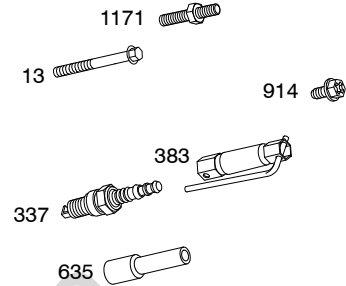
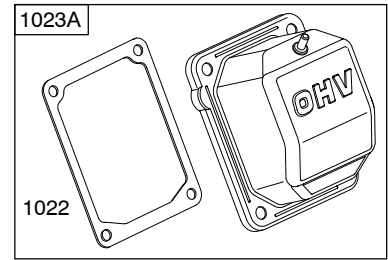
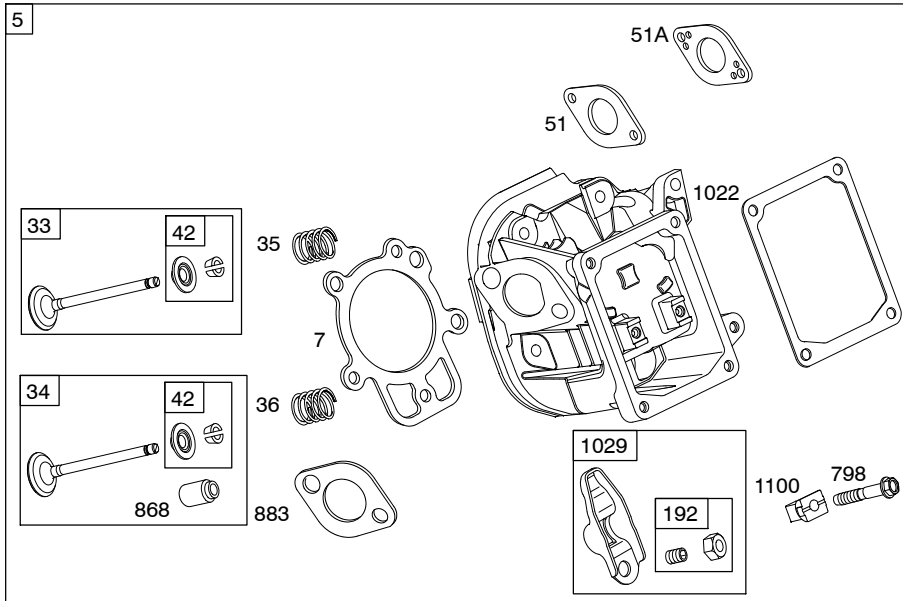
1319 WARNING LABEL

WARNING	
	Read and follow Operating Instructions before running engine.
	Gasoline is flammable. Allow engine to cool at least 2 minutes before refueling.
	Engines emit carbon monoxide, DO NOT run in enclosed area.
	Muffler area temperature may exceed 150°F. Do not touch hot parts.

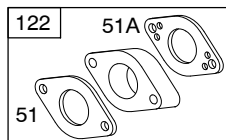
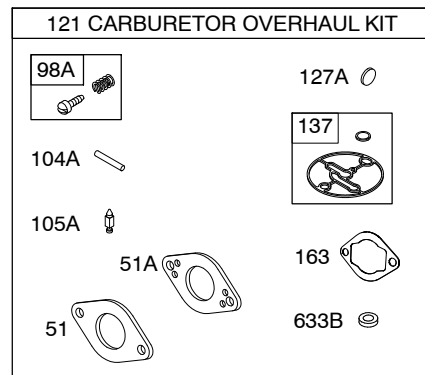
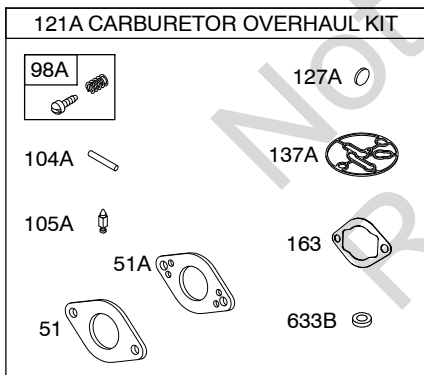
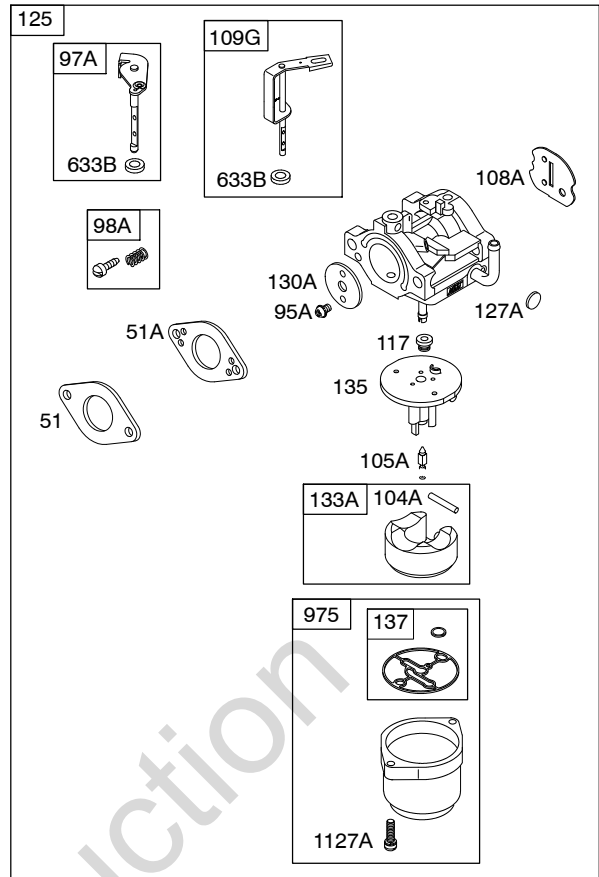
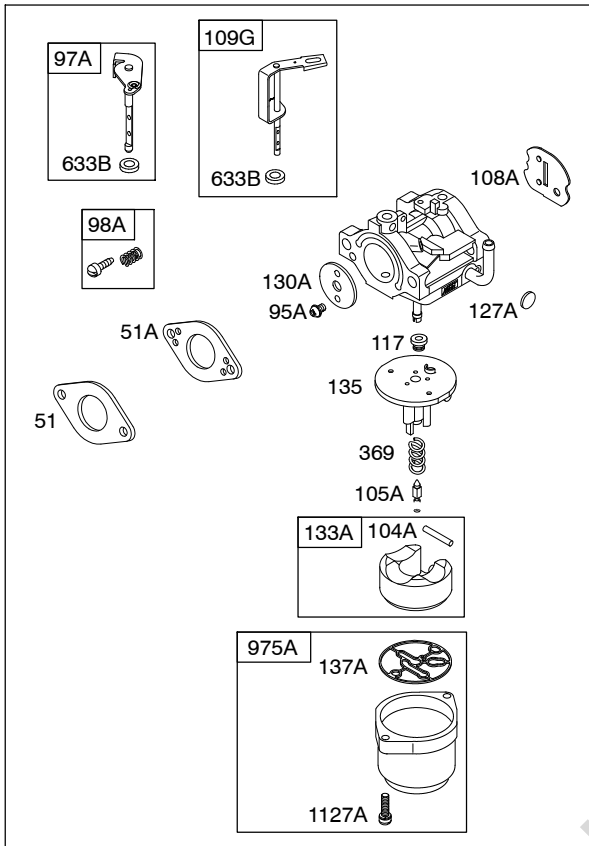
REQUIRED when replacing parts with warning labels affixed.



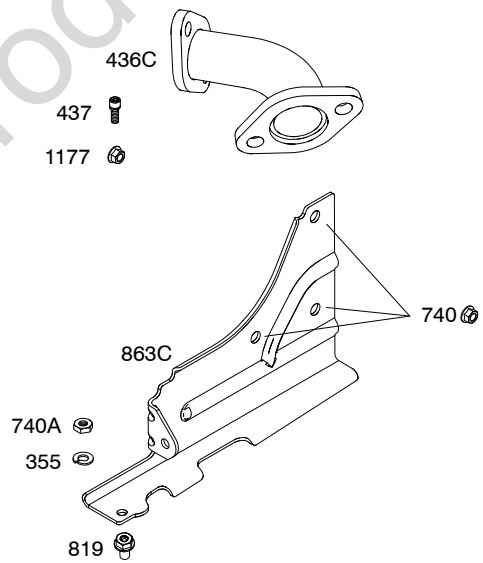
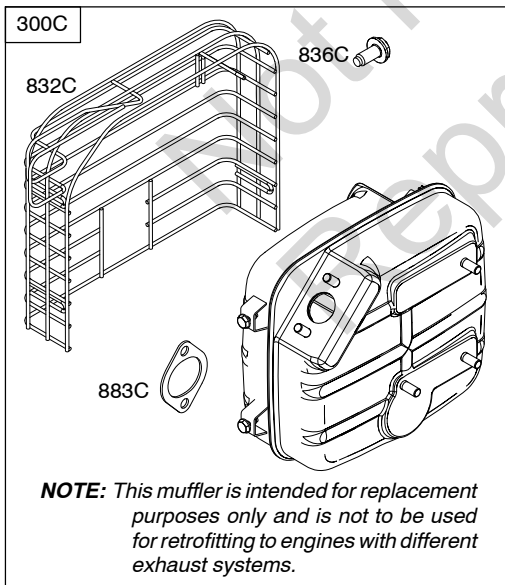
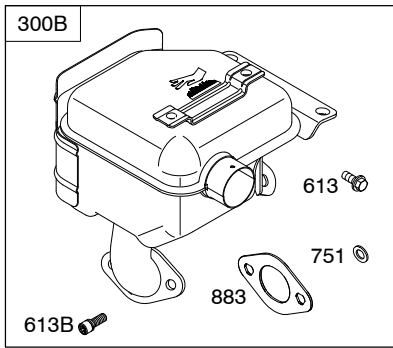
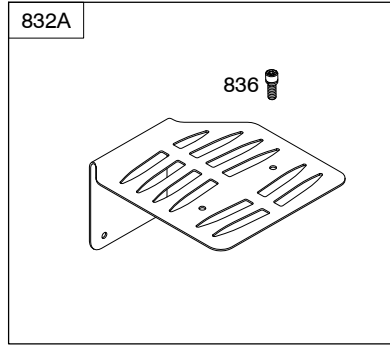
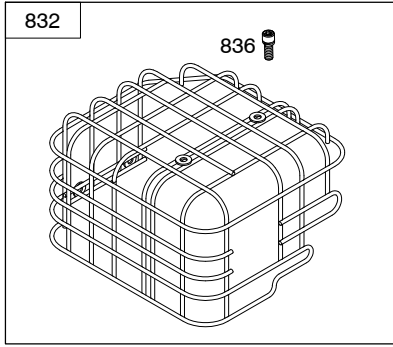
Illustrations cover a range of engines. Parts shown without corresponding text may not be used on your specific engine.
 4270-2 Assemblies include all parts shown in frames. 06/12/2009



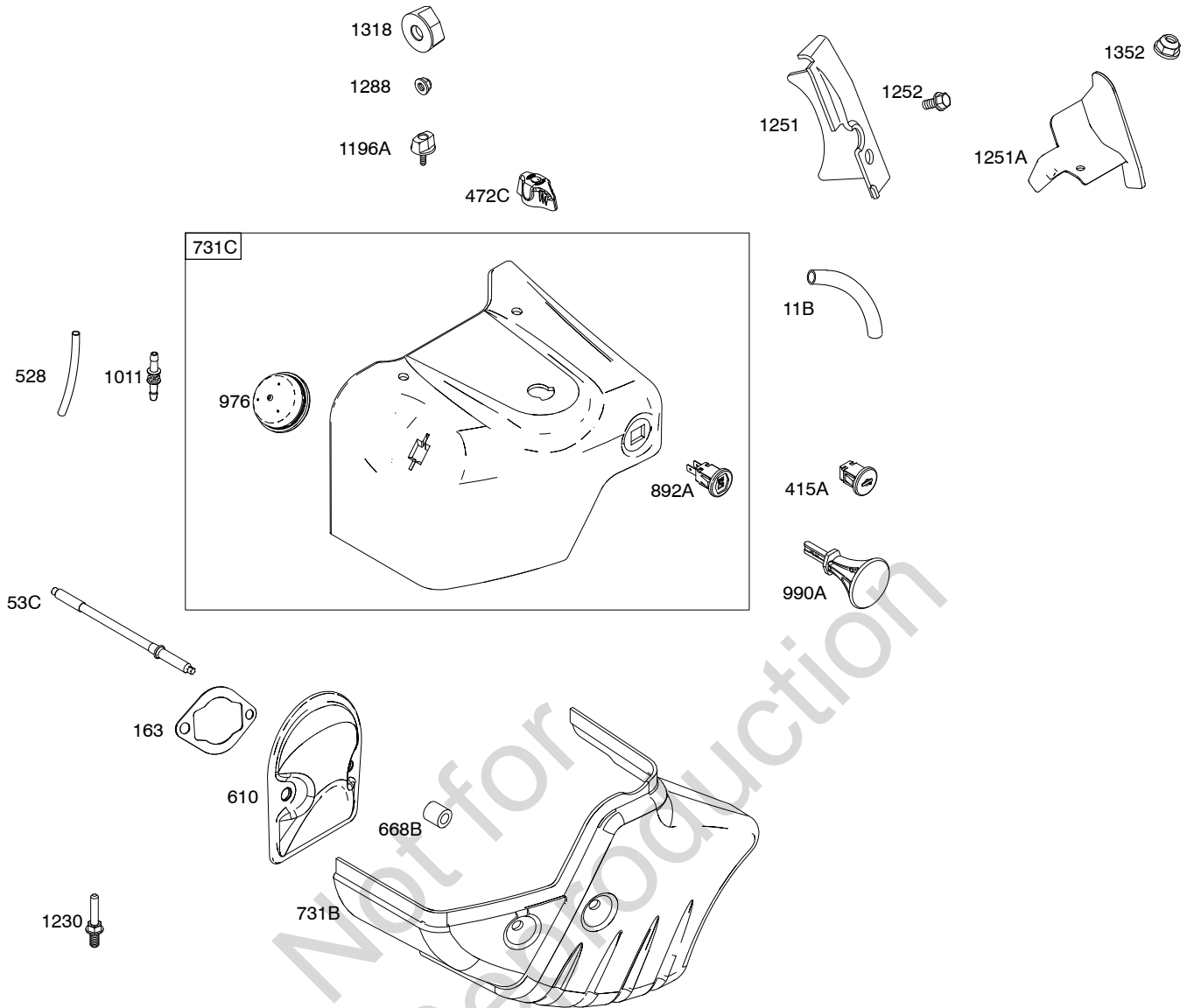
21M300



Illustrations cover a range of engines. Parts shown without corresponding text may not be used on your specific engine.
 4270-4 Assemblies include all parts shown in frames. 06/12/2009

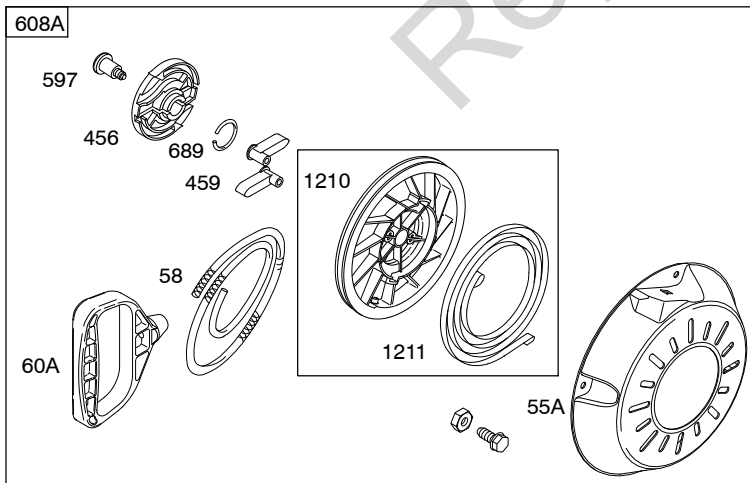
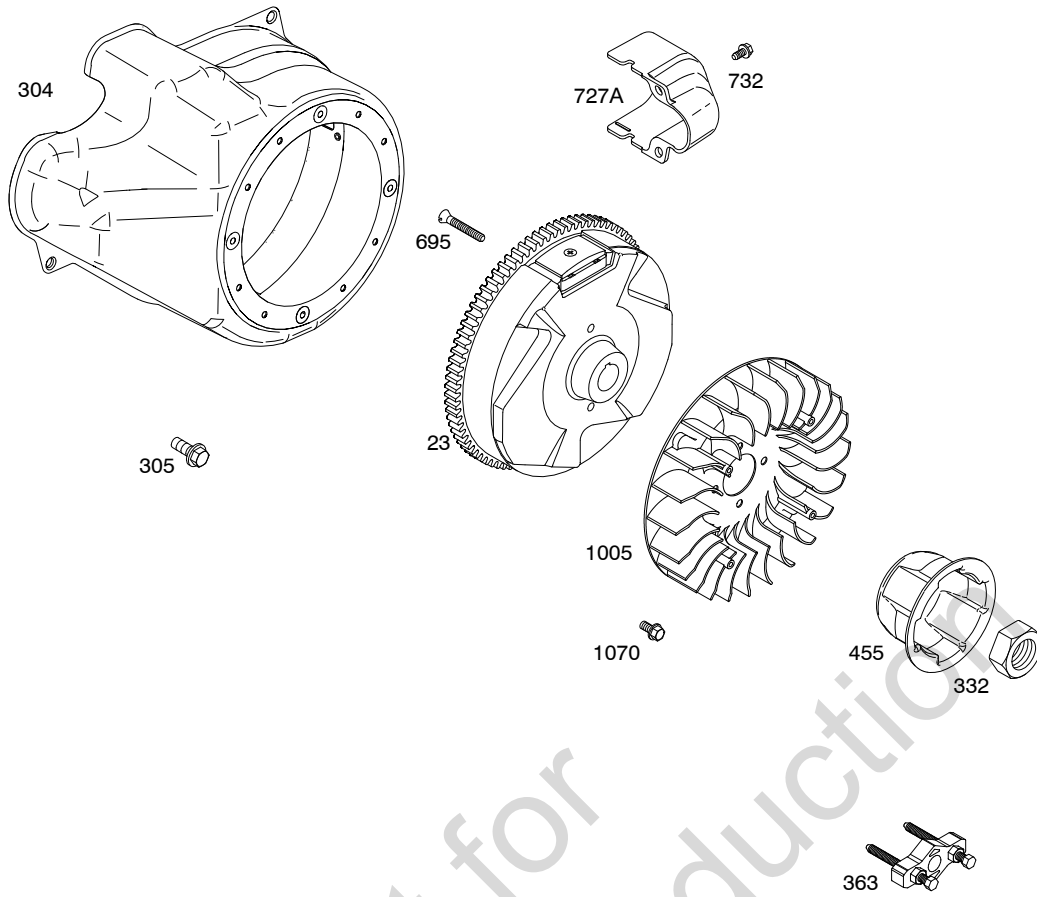


21M300



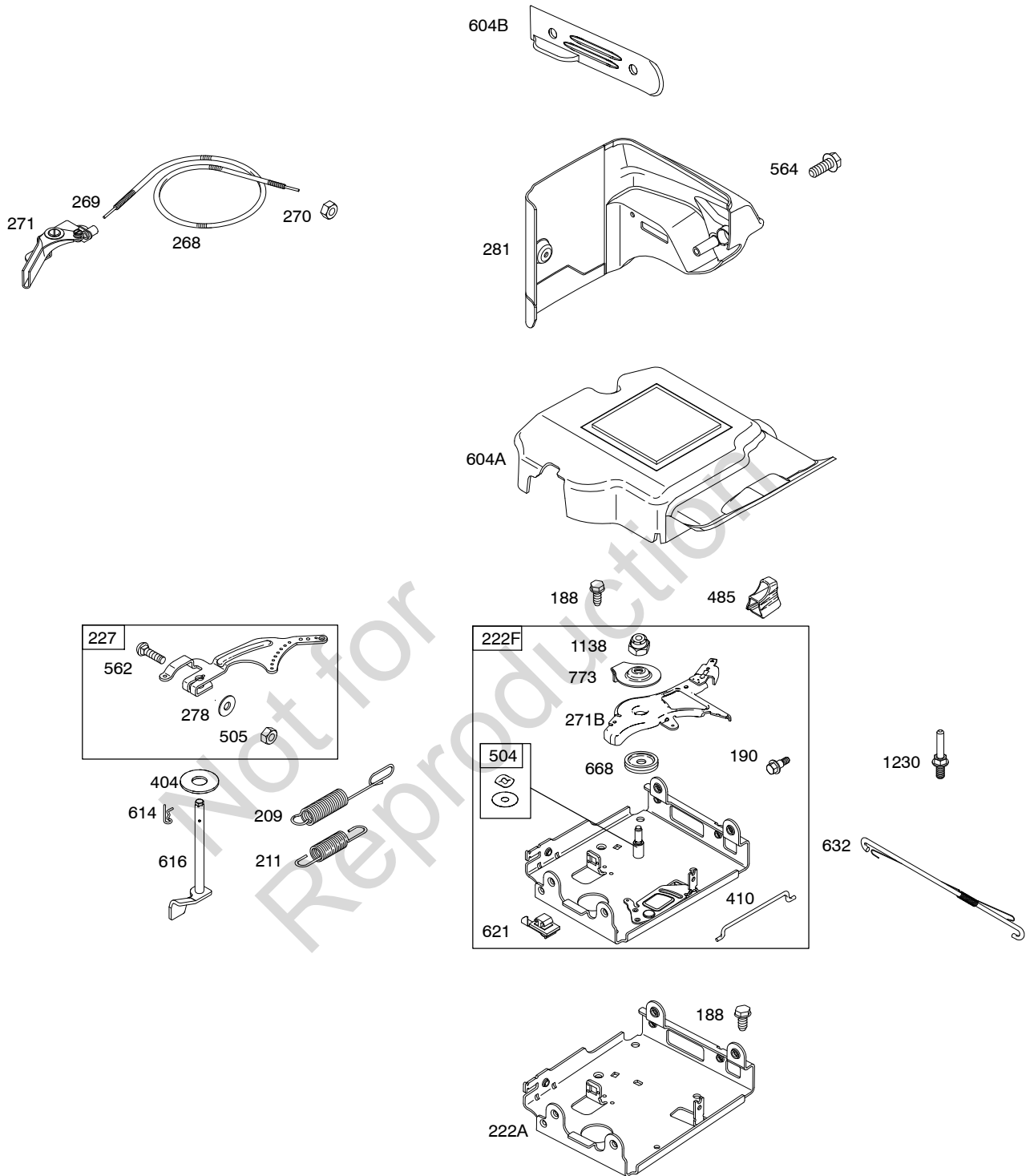
Illustrations cover a range of engines. Parts shown without corresponding text may not be used on your specific engine.
4270-6 **Assemblies include all parts shown in frames.** 06/12/2009

1036 EMISSIONS LABEL



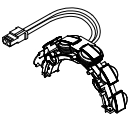







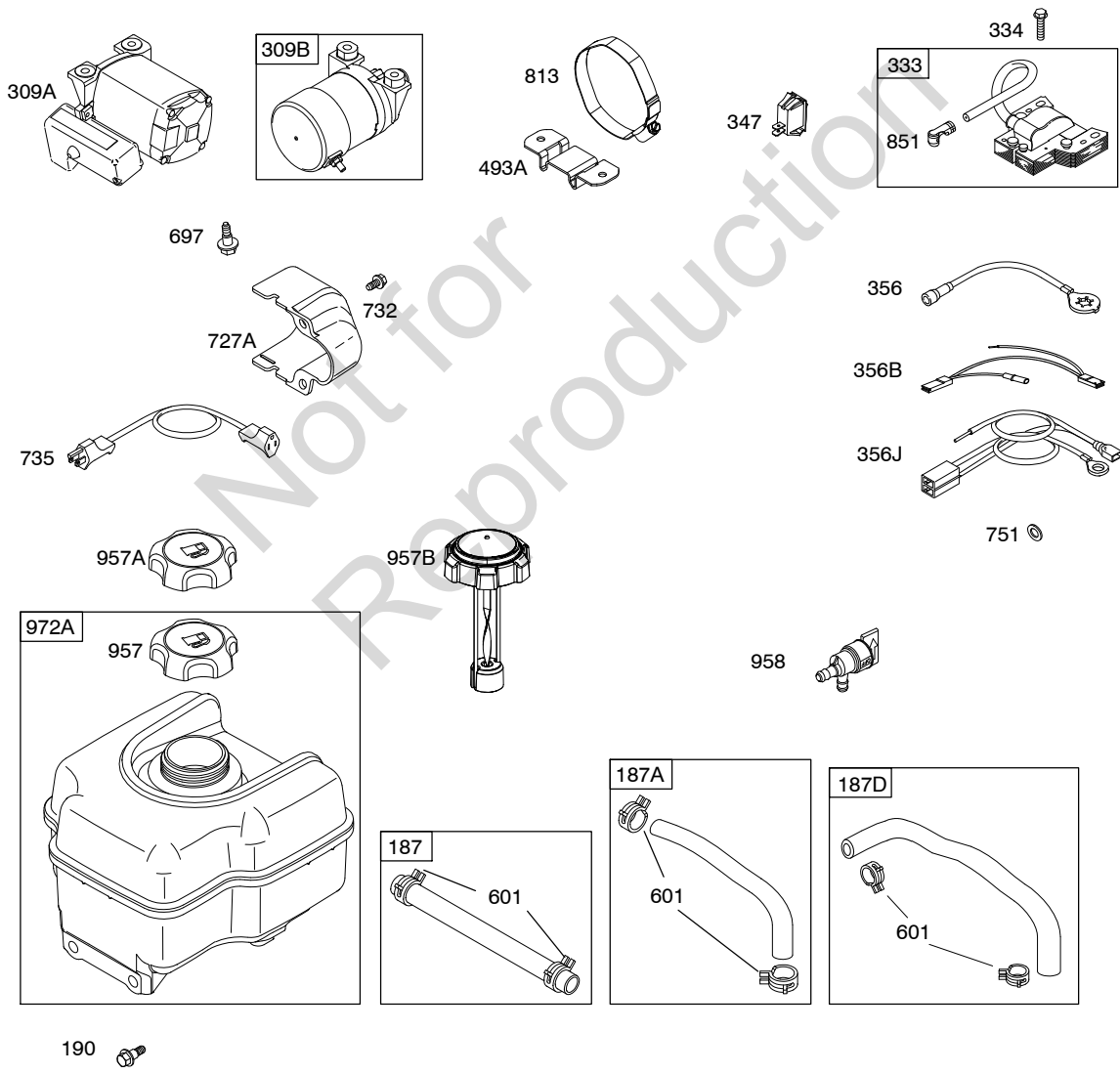
Illustrations cover a range of engines. Parts shown without corresponding text may not be used on your specific engine.
4270-7 Assemblies include all parts shown in frames. 06/12/2009

21M300



Illustrations cover a range of engines. Parts shown without corresponding text may not be used on your specific engine.
4270-8 Assemblies include all parts shown in frames. 06/12/2009

DUAL CIRCUIT	10 - 16 AMP	AC ONLY	DUAL CIRCUIT
474B	474D	474G	474H
			
<p>NOTE: All stators use a No. 1119 mounting screw. </p> <p>NOTE: The proper flywheel part number and/or the alternator magnet size will determine the alternator type or output. See repair instruction manual for additional information.</p>			
878 	526  501 		



Illustrations cover a range of engines. Parts shown without corresponding text may not be used on your specific engine.
 4270-9 Assemblies include all parts shown in frames. 06/12/2009

21M300

REF. NO.	PART NO.	DESCRIPTION	REF. NO.	PART NO.	DESCRIPTION	REF. NO.	PART NO.	DESCRIPTION
1	794850	Cylinder Assembly	35	694865	Spring-Valve (Intake)	122	694876	Spacer-Carburetor
2	698340	Kit-Bushing/Seal (Magneto Side)	36	694865	Spring-Valve (Exhaust)	125	796122	Carburetor
3	391086S	Seal-Oil (Magneto Side)	42	499586	Keeper-Valve	127A	690727	Plug-Welch
5	794871	Head-Cylinder	45	690977	Tappet-Valve	130A	696139	Valve-Throttle
7	697690	Gasket-Cylinder Head	46	795697	Camshaft	133A	694914	Float-Carburetor
11B	696750	Tube-Breather	51	694874	Gasket-Intake	135	698780	Tube-Fuel Transfer (Used After Code Date 08050600).
12	694953	Gasket-Crankcase	51A	694875	Gasket-Intake	----- Note -----		
13	794829	Screw (Cylinder Head)	53C	795017	Stud (Carburetor)	137	698781	Gasket-Float Bowl (Used After Code Date 08050600).
15	691686	Plug-Oil Drain	55A	696710	Housing-Rewind Starter	137A	695426	Gasket-Float Bowl (Used Before Code Date 08050700).
15B	695757	Plug-Oil Drain	58	693389	Rope-Starter (Cut To Required Length)	146	690979	Key-Timing
16	794716	Crankshaft Used on Type No(s). 0113, 0114, 0115, 0641.	60A	699334	Grip-Starter Rope	163	692277	Gasket-Air Cleaner
----- Note -----			65	699851	Screw (Rewind Starter)	170	794833	Stud (Crankcase Cover/Sump)
18	791965	Cover-Crankcase	95A	690718	Screw (Throttle Valve)	187	791766	Line-Fuel (15 Inches Long) (Cut To Required Length)
19	698340	Kit-Bushing/Seal (PTO Side)	97A	696387	Shaft-Throttle	187A	791869	Line-Fuel
20	391086S	Seal-Oil (PTO Side)	98A	695408	Kit-Idle Speed	187D	791879	Line-Fuel
21	281658S	Cap-Oil Fill	104A	694918	Pin-Float Hinge	188	699479	Screw (Control Bracket)
22	794825	Screw (Crankcase Cover/Sump)	105A	696136	Valve-Float Needle	190	699220	Screw (Fuel Tank)
23	794812	Flywheel	108A	696143	Valve-Choke	192	690083	Adjuster-Rocker Arm
24	222698S	Key-Flywheel	109G	793520	Shaft-Choke	209	695491	Spring-Governor
25	793318	Piston Assembly (Standard)	117	796080	Jet-Main (Standard) (Used After Code Date 08050600).	----- Note -----		
----- Note -----			118	796128	Jet-Main (High Altitude) (Used After Code Date 08050600).	211	695307	Spring-Governed Idle (Used on Type No(s). 0113, 0114, 0115, 1355.
26	793319	Ring Set (Standard)	----- Note -----			219	693578	Gear-Governor
----- Note -----			121	796137	Kit-Carburetor Overhaul (Used After Code Date 08050600).	220	691724	Washer (Governor Gear)
27	690975	Lock-Piston Pin	121A	696146	Kit-Carburetor Overhaul (Used Before Code Date 08050700).	222A	794801	Bracket-Control
28	696581	Pin-Piston	----- Note -----			222F	794800	Bracket-Control (Used on Type No(s). 0113, 0114, 0115, 1355.
29	694691	Rod-Connecting	696135	Jet-Main (High Altitude) (Used Before Code Date 08050700).				
30	694692	Dipper-Connecting Rod						
32	690976	Screw (Connecting Rod)						
33	499596	Valve-Exhaust						
34	795199	Valve-Intake						

Illustrations cover a range of engines. Parts shown without corresponding text may not be used on your specific engine.

21M300

REF. NO.	PART NO.	DESCRIPTION	REF. NO.	PART NO.	DESCRIPTION	REF. NO.	PART NO.	DESCRIPTION
227	694864	Lever-Governor Control	337	491055S	Plug-Spark Used on Type No(s). 0641.	474B	793118	Alternator Used on Type No(s). 0641, 1355.
268	691025	Casing-Control Wire (Cut To Required Length)			----- Note -----	474D	695466	Alternator (10-16 Amp Regulated) Used on Type No(s). 0115.
269	691026	Wire-Control (Cut To Required Length)			691043 Plug-Spark Used on Type No(s). 0111, 0113, 0114, 0115, 0117.	474H	698230	Alternator Used on Type No(s). 0111.
270	691027	Nut (Control Wire Casing)			793541 Plug-Spark Used on Type No(s). 1355.	474G	797090	Alternator Used on Type No(s). 0113, 0114, 0117.
271	691028	Lever-Control	347	698338	Switch-Rocker	485	695755	Knob-Control Used on Type No(s). 0113, 0114, 0115, 1355.
271B	698035	Lever-Control	355	794842	Washer (Muffler Bracket)	493A	691177	Bracket-Mounting Used on Type No(s). 0115.
278	792008	Washer (Governor Control Lever)	356	692603	Wire-Stop	501	691185	Regulator Used on Type No(s). 0115.
281	697268	Panel-Control	356B	699340	Wire-Stop Used on Type No(s). 0115.	504	695383	Washer Set-Friction
287	699629	Screw (Dipstick Tube)	356J	793206	Wire-Stop Used on Type No(s). 0113, 0114, 1355.	505	691251	Nut (Governor Control Lever)
300B	794948	Muffler	358	795201	Gasket Set-Engine	523	695344	Dipstick Used on Type No(s). 1355.
300C	793701	Muffler (This muffler is intended for replacement purposes only and is not to be used for retrofitting to engines with different exhaust systems)	363	19203	Puller-Flywheel	523A	790477	Dipstick
304	795699	Housing-Blower	369	695422	Spring-Float Bowl (Used Before Code Date 08050700).	524	691876	Seal-Dipstick Tube
305	699481	Screw (Blower Housing)	383	19374S	Wrench-Spark Plug	525	695343	Tube-Dipstick Used on Type No(s). 1355.
306	697240	Shield-Cylinder	404	795759	Washer (Governor Crank)	525A	792041	Tube-Dipstick
307	794822	Screw (Cylinder Shield)	410	695382	Link-Control	526	690297	Screw (Regulator) Used on Type No(s). 0115.
309A	795909	Motor-Starter ----- Note -----	415	691363	Plug	528	793006	Hose-Primer (Cut to Required Length)
		792157 Motor-Starter Used on Type No(s). 0113.	415A	699337	Plug Used on Type No(s). 0115.	529	791822	Grommet
309B	698162	Motor-Starter Used on Type No(s). 0115.	415C	693463	Plug Used on Type No(s). 0113, 0114, 0115, 1355.			
332	794824	Nut (Flywheel)	436C	792374	Manifold-Exhaust			
333	492341	Armature-Magneto	437	794844	Screw (Exhaust Manifold)			
334	699477	Screw (Magneto Armature)	455	795011	Cup-Flywheel			
			456	692299	Plate-Pawl Friction			
			459	281505S	Pawl-Ratchet			
			472C	791948	Knob-Choke Shaft			

Illustrations cover a range of engines. Parts shown without corresponding text may not be used on your specific engine.

21M300

REF. NO.	PART NO.	DESCRIPTION	REF. NO.	PART NO.	DESCRIPTION	REF. NO.	PART NO.	DESCRIPTION
552	694674	Bushing-Governor Crank	725	696756	Shield-Heat	883	695398	Gasket-Exhaust
562	793216	Bolt (Governor Control Lever)	727A	697465	Cover-Starter Drive	883C	710250	Gasket-Exhaust
564	699854	Screw (Control Cover)	731B	794540	Hood-Snow	892A	791944	Switch-Key
597	691696	Screw (Pawl Friction Plate)	731C	793621	Hood-Snow	914	794827	Screw (Rocker Cover)
601	791850	Clamp-Hose	732	699200	Screw (Starter Drive Cover)	930	696709	Guard-Rewind
604A	696758	Cover-Control	735	795901	Cord-Starter	957	795027	Cap-Fuel Tank (Plastic)
604B	790473	Cover-Control	740	710090	Nut (Muffler Bracket)	957A	792647	Cap-Fuel Tank (Plastic) (Fresh Start)
608A	699335	Starter-Rewind	740A	794843	Nut (Muffler Bracket)	957B	698109	Cap-Fuel Tank Used on Type No(s). 0111, 0117, 1355.
610	794541	Arrester-Intake	741	691288	Gear-Timing	958	698180	Valve-Fuel Shut Off (Plastic)
613	794846	Screw (Muffler)	742	692564	Retainer-E Ring	972A	694260	Tank-Fuel (Plastic)
613B	794844	Screw (Muffler)	746	694679	Gear-Idler	975	698783	Bowl-Float (Used After Code Date 08050600).
614	691620	Pin-Cotter (Governor Crank)	751	794839	Washer (Stop Wire)	975A	696138	Bowl-Float (Used Before Code Date 08050700).
616	795758	Crank-Governor	773	694258	Retainer	976	793382	Primer-Carburetor
621	692310	Switch-Stop Used on Type No(s). 0113, 0114, 0115, 1355.	798	697890	Screw (Rocker Arm)	990A	794696	Key Set
632	695917	Spring/Link-Mechanical Governor	813	690635	Clamp	998A	696683	Pipe-Oil
633B	690998	Seal-Choke/Throttle Shaft	819	794832	Screw (Muffler Bracket)	1005	794815	Fan-Flywheel
635	691909	Boot-Spark Plug (Alternator)	832	795078	Guard Muffler	1011	794544	Tube-Vent
668	694257	Spacer (Control Bracket)	832A	797095	Guard Muffler Used on Type No(s). 0114, 0117, 1355.	1022	690971	Gasket-Rocker Cover
668B	794539	Spacer (Snow Hood)	836	699234	Screw (Muffler Guard)	1023A	698042	Cover-Rocker
689	691855	Spring-Friction	836C	710023	Screw (Muffler Guard)	1026	695177	Rod-Push
695	698807	Screw (Ring Gear)	842	691031	Seal-O Ring (Dipstick Tube)	1029	690972	Arm-Rocker
697	795012	Screw (Drive Cap)	847	695342	Dipstick/Tube Assembly Used on Type No(s). 1355.	1036		Label-Emissions (Available From A Briggs & Stratton Authorized Dealer)
718	690959	Pin-Locating (Cylinder)	847A	790476	Dipstick/Tube Assembly	1058	277104	Manual Operator's
718A	695178	Pin-Locating (Head)	851	692424	Terminal-Spark Plug	1070	794821	Screw (Flywheel Fan)
			863C	793700	Bracket-Muffler	1095	795200	Gasket Set-Valve
			868	794086	Seal-Valve	1100	791959	Pivot-Rocker Arm
			878	398661	Wire/Connector-Alternator	1119	699772	Screw (Alternator)

Illustrations cover a range of engines. Parts shown without corresponding text may not be used on your specific engine.

21M300

REF. NO.	PART NO.	DESCRIPTION	REF. NO.	PART NO.	DESCRIPTION	REF. NO.	PART NO.	DESCRIPTION
1127A	695407	Screw (Float Bowl)	1210	498144	Pulley/Spring Assembly (Pulley)	1288	794838	Nut (Snow Hood)
1138	694255	Nut (Control Bracket)	1211	498144	Pulley/Spring Assembly (Spring)	1318	698111	Knob-Snow Hood
1171	794828	Stud (Rocker Cover)	1230	699847	Stud (Control Bracket)	1319	794467	Label-Warning
1177	710090	Nut (Muffler)	1251	696762	Shield-Snow	1351	794847	Stud (Cylinder Shield)
1194	691876	Seal-O Ring (Plug)	1251A	790471	Shield-Snow	1352	795016	Nut (Spark Plug Shield)
1196A	696692	Screw (Snow Hood)	1252	699481	Screw (Snow Shield)			

Not for
Reproduction