



Illustrated Parts List

Model Series

31A500

TYPE NUMBERS
0111 THROUGH 0743.

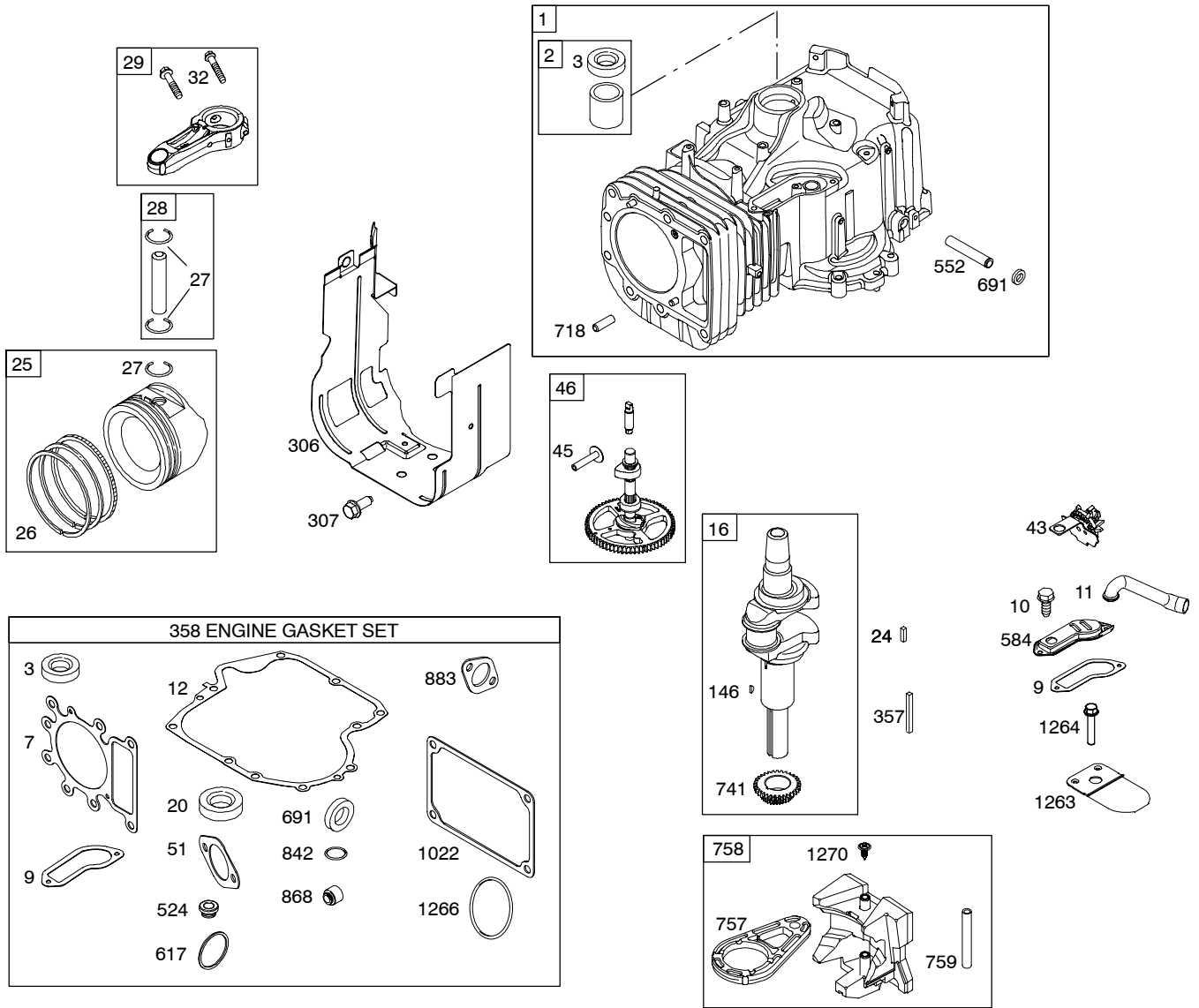
TABLE OF CONTENTS

Air Cleaner	5
Alternator	7
Blower Housing	5
Camshaft	2
Carburetor	4
Controls	7
Crankshaft	2
Cylinder	2
Cylinder Head	3
Electric Starter	7
Exhaust System	5
Engine Sump	2
Flywheel	6
Fuel Supply	4
Gasket Set - Engine	2
Gasket Set - Valve	3
Governor Spring	7
Ignition	7
Kit - Carburetor Overhaul	4
Lubrication	3
Piston, Rings, Connecting Rod	2
Valves	3



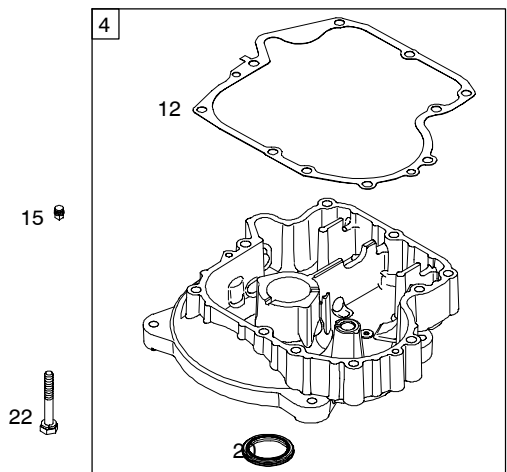
PRINTED IN U.S.A.

COPYRIGHT by BRIGGS & STRATTON CORPORATION
All rights reserved. No part of this material may be reproduced or transmitted, in any form or by any means, electronic or mechanical, including photocopying, recording or by any information storage and retrieval system, without permission in writing from Briggs & Stratton Corporation.

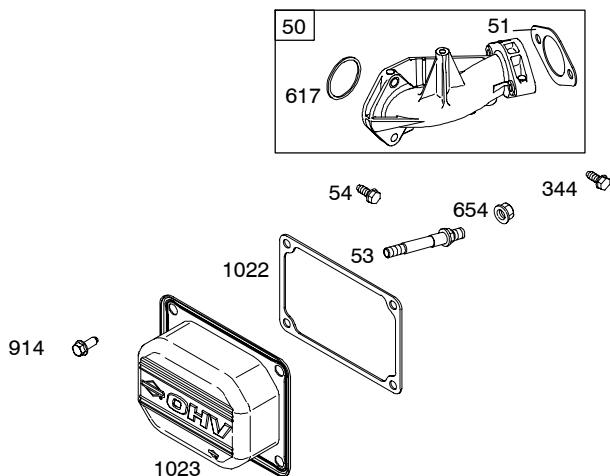
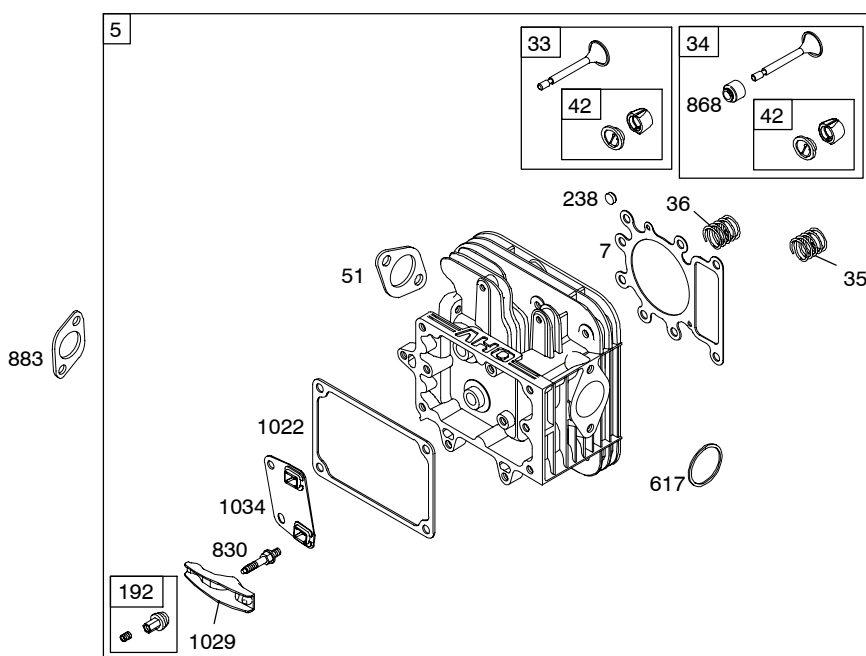
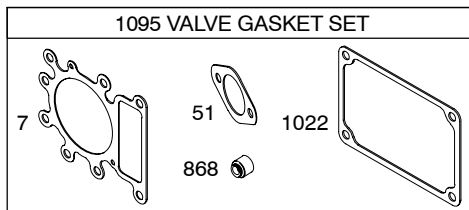
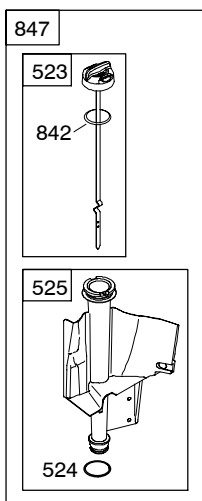


1058 OPERATOR'S MANUAL

1330 REPAIR MANUAL

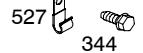
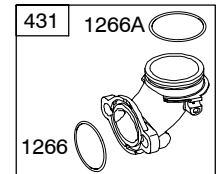
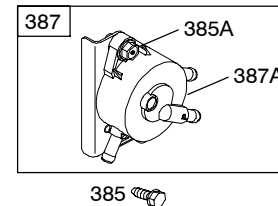
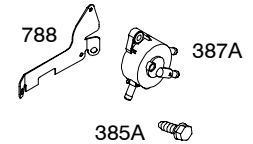
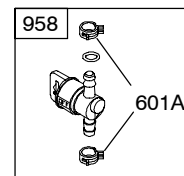
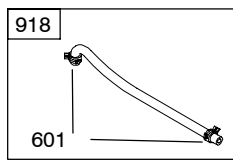
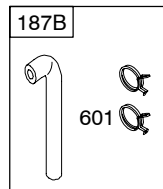
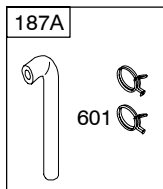
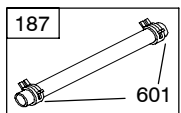
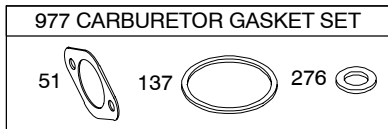
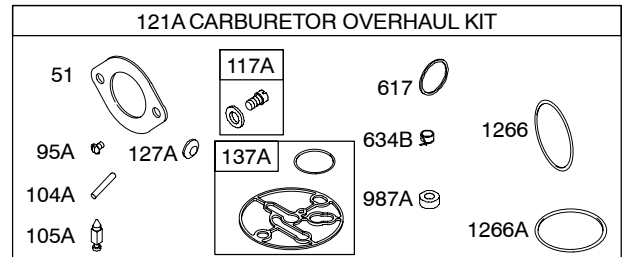
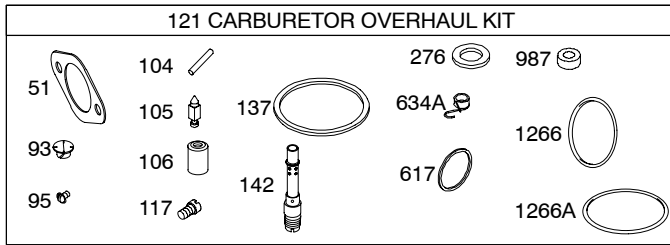
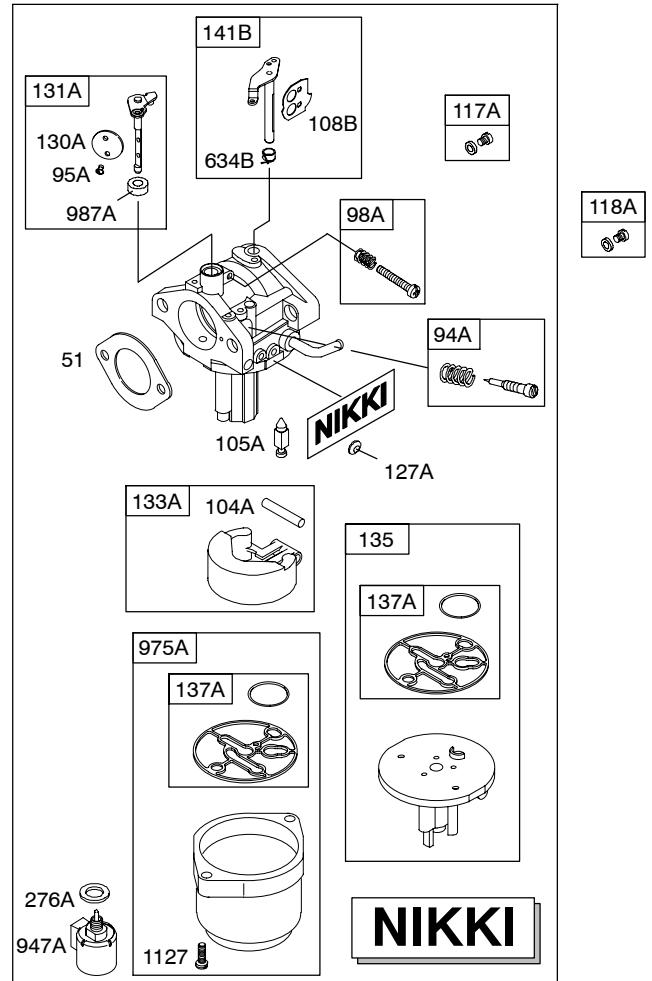
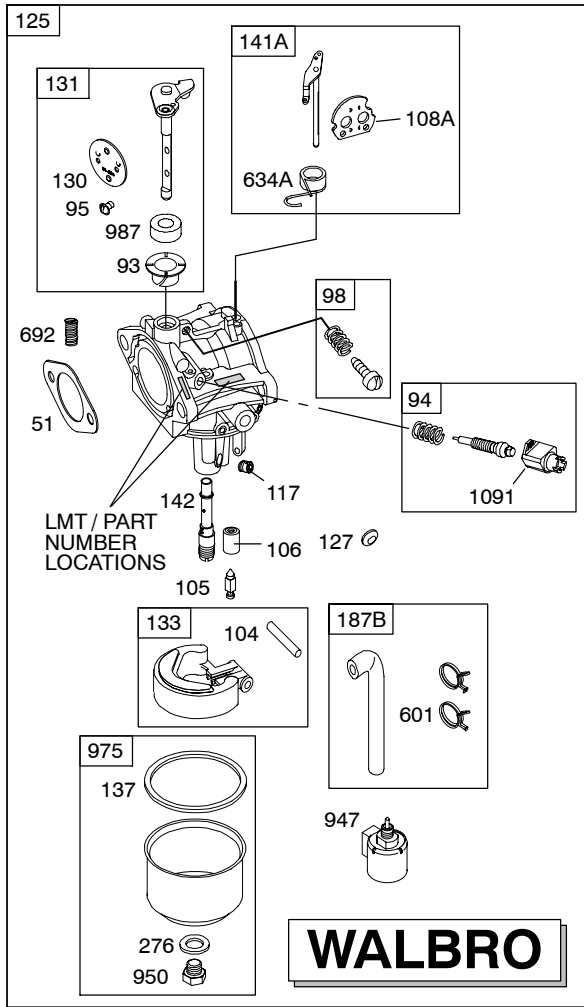


Illustrations cover a range of engines. Parts shown without corresponding text may not be used on your specific engine.

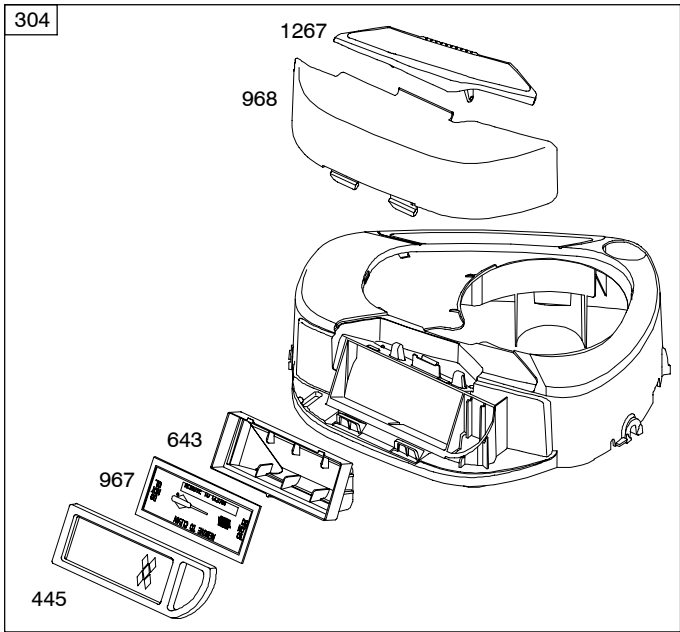


Illustrations cover a range of engines. Parts shown without corresponding text may not be used on your specific engine.

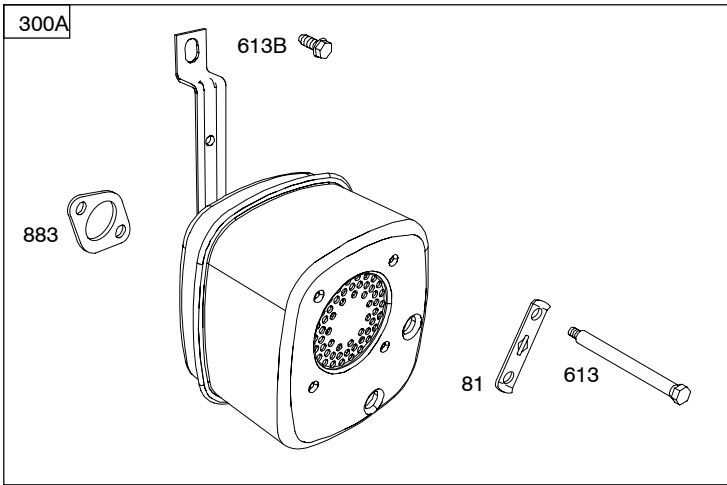
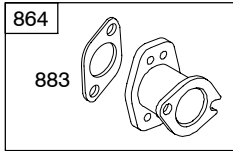
31A500



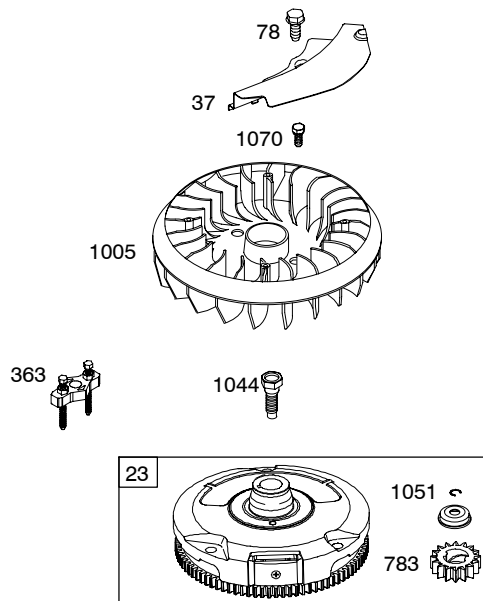
Illustrations cover a range of engines. Parts shown without corresponding text may not be used on your specific engine.



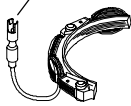


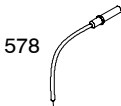

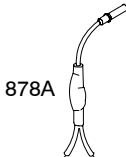
1036 EMISSIONS LABEL



Illustrations cover a range of engines. Parts shown without corresponding text may not be used on your specific engine.



Illustrations cover a range of engines. Parts shown without corresponding text may not be used on your specific engine.

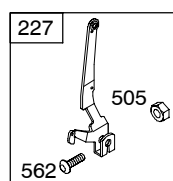
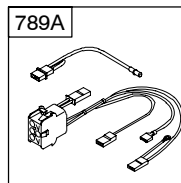
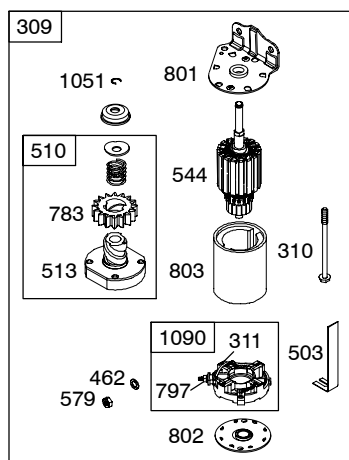
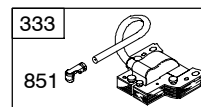
DC ONLY	DUAL CIRCUIT	TRI CIRCUIT
474 877A 	474A 1059 877 	474B 1059 877B 
578 	878 	878A 

NOTE: All stators use a No. 1119 mounting screw. 

NOTE: The proper flywheel part number and/or the alternator magnet size will determine the alternator type or output. See repair instruction manual for additional information.



334 



Illustrations cover a range of engines. Parts shown without corresponding text may not be used on your specific engine.

31A500

REF. NO.	PART NO.	DESCRIPTION	REF. NO.	PART NO.	DESCRIPTION	REF. NO.	PART NO.	DESCRIPTION
1	697174	Cylinder Assembly	27	698469	Lock-Piston Pin	108A	692344	Valve-Choke
2	399265	Kit-Bushing/Seal (Magneto Side)	28	697099	Pin-Piston (Standard)	108B	695419	Valve-Choke
3	★391086s	Seal-Oil (Magneto Side)	29	791631	Rod-Connecting (Standard)	117	●694352	Jet-Main (Standard)
4	697106	Sump-Engine	32	791118	Screw (Connecting Rod)	117A	●699457	Jet-Main (Standard)
5	792360	Head-Cylinder	33	791934	Valve-Exhaust	118	697228	Jet-Main (High Altitude)
7	△★699168	Gasket-Cylinder Head	34	791935	Valve-Intake	118A	699458	Jet-Main (High Altitude)
9	★697109	Gasket-Breather	35	691279	Spring-Valve (Intake)	121	697241	Kit-Carburetor Overhaul (Walbro Carburetor)
10	697157	Screw (Breather Assembly)	36	691279	Spring-Valve (Exhaust)	121A	699521	Kit-Carburetor Overhaul (Nikki Carburetor)
11	697113	Tube-Breather	37	697352	Guard-Flywheel	125	791888	Carburetor (Walbro)(Gravity Feed)(Use to replace pump and gravity feed carburetors)
12	★697110	Gasket-Crankcase	42	499586	Keeper-Valve	127	695005	Plug-Welch
13	690360	Screw (Cylinder Head)	43	691968	Slinger-Governor/Oil	127A	●690727	Plug-Welch
15	690946	Plug-Oil Drain (Square Head)	45	690564	Tappet-Valve	130	691750	Valve-Throttle
16	697127	Crankshaft	46	793583	Camshaft	130A	699500	Valve-Throttle
20	★791892	Seal-Oil (PTO Side)	50	690193	Manifold-Intake	131	790901	Kit-Throttle Shaft
22	692125	Screw (Crankcase Cover/ Sump)	51△★●692137	Gasket-Intake	131A	699501	Kit-Throttle Shaft	
23	790835	Flywheel (Painted Flywheel) Used on Type No(s). 0111, 0117. ----- Note ----- 693557 Flywheel Used on Type No(s). 0113, 0471, 0743. 790894 Flywheel (Painted Flywheel) Used on Type No(s). 0116.	53	690227	Stud (Carburetor)	133	494381	Float-Carburetor
24	222698s	Key-Flywheel	54	691148	Screw (Intake Manifold)	133A	694914	Float-Carburetor
25	792507	Piston Assembly (Standard) ----- Note ----- 792648 Piston Assembly (.020 Oversize)	73	697133	Screen-Rotating	135	698780	Tube-Fuel Transfer
26	792506	Ring Set (Standard) ----- Note ----- 792649 Ring Set (.020" Oversize)	74	697897	Screw (Rotating Screen)	137●♦281165s	Gasket-Float Bowl	
			78	691003	Screw (Flywheel Guard)	137A	●698781	Gasket-Float Bowl
			93	●690602	Bushing- Throttle Shaft	141A	790902	Kit-Choke Shaft
			94	498030	Kit-Idle Mixture	141B	698778	Kit-Choke Shaft
			94A	695425	Kit-Idle Mixture	142	●697140	Nozzle-Carburetor (Standard)
			95	●691636	Screw (Throttle Valve)	146	691639	Key-Timing
			95A	●690718	Screw (Throttle Valve)			
			98	495800	Kit-Idle Speed			
			98A	695408	Kit-Idle Speed			
			104	●690525	Pin-Float Hinge			
			104A	●694918	Pin-Float Hinge			
			105	●231855s	Valve-Float Needle			
			105A	●696136	Valve-Float Needle			
			106	●690577	Seat-Inlet (Gravity Feed) (Carburetor Part No. 697203) ----- Note ----- ●691780 Seat-Inlet Pump Feed) (Carburetor Part No. 697202)			

★ Included in Engine Gasket Set-Ref. No.358.

● Included in Carburetor Overhaul Kit-Ref. No. 121 & 121A.

◆ Included in Carburetor Gasket Set-Ref. No. 977.

△ Included in Valve Gasket Set-Ref. No 1095.

Illustrations cover a range of engines. Parts shown without corresponding text may not be used on your specific engine.

REF. NO.	PART NO.	DESCRIPTION	REF. NO.	PART NO.	DESCRIPTION	REF. NO.	PART NO.	DESCRIPTION
187	791766	Line-Fuel (Cut To Required Length)			----- Note ----- 792629 Screw (Casing Clamp) Used on Type No(s). 0471, 0743.	356	697089	Wire-Stop
187A	791806	Line-Fuel (Formed) (21 Inches Long) (Cut To Required Length)	268	691025	Casing-Control Wire (Cut To Required Length)	357	691483	Key-Drive Pulley Used on Type No(s). 0111.
187B	791805	Line-Fuel (Formed) (10 1/4 Inches Long) (Cut To Required Length)	269	691026	Wire-Control	358	697151	Gasket Set-Engine
188	691693	Screw (Control Bracket)	270	691027	Nut (Control Wire Casing)	363	19203	Puller-Flywheel
192	691986	Adjuster-Rocker Arm	271	691028	Lever-Control	383	89838	Wrench-Spark Plug
202	691841	Link-Mechanical Governor	276	◆692255	Washer-Sealing	385	694476	Screw (Fuel Pump)
209	692208	Spring-Governor Used on Type No(s). 0113, 0116, 0117, 0743.	276A	◆695410	Washer-Sealing	385A	690297	Screw (Fuel Pump)
		----- Note ----- 690576 Spring-Governor Used on Type No(s). 0111, 0471.	304	698599	Housing-Blower (Black) Used on Type No(s). 0111, 0113.	387	697090	Pump-Fuel (Includes Mounting Bracket) Used on Type No(s). 0111.
216	691840	Link-Choke			----- Note ----- 698402 Housing-Blower (Red) Used on Type No(s). 0116, 0117, 0471, 0743.	387A	808656	Pump-Fuel Used on Type No(s). 0111.
222	694042	Bracket-Control	305	697102	Screw (Blower Housing)	404	691691	Washer (Governor Crank)
227	691374	Lever-Governor Control	305A	697103	Screw (Blower Housing)	431	697122	Elbow-Intake
232	691842	Spring-Governor Link	306	697107	Shield-Cylinder	445	698083	Filter-Air Cleaner Cartridge (Non Washable)
238	691843	Cap-Valve	307	691003	Screw (Cylinder Shield)	462	691261	Washer (Starter Cable)
240	394358s	Filter-Fuel (White, 75 Microns) Used on Type No(s). 0113, 0116, 0117, 0471, 0743.	309	693551	Motor-Starter	474A	696459	Alternator (Dual Circuit) Used on Type No(s). 0113, 0116, 0471, 0743.
240B	691035	Filter-Fuel (Includes Paper Element With A 40 Micron Rating) Used on Type No(s). 0111.	310	690323	Bolt (Starter Motor)	474B	696457	Alternator (Tri Circuit) Used on Type No(s). 0111, 0117.
265	691024	Clamp-Casing	311	497608	Brush Set	501	691188	Regulator
267	690804	Screw (Casing Clamp) Used on Type No(s). 0111, 0113, 0116, 0117.	333	492341	Armature-Magneto	503	691532	Strap-Starter
			334	691061	Screw (Magneto Armature)	505	691251	Nut (Governor Control Lever)
			337	691043	Plug-Spark Used on Type No(s). 0111, 0116, 0117, 0743.	510	693699	Drive-Starter
					----- Note ----- 491055s Plug-Spark Used on Type No(s). 0113.	513	692024	Clutch-Drive
					792015 Plug-Spark Used on Type No(s). 0471.	521	690581	Shield-Cable
			344	693675	Screw (Cable Clamp) Used on Type No(s). 0471, 0743.	523	699908	Dipstick
					----- Note ----- 697085 Tube-Dipstick Used on Type No(s). 0113, 0116, 0117, 0471, 0743.	524	★691032	Seal-Dipstick Tube
						525	697184	Tube-Dipstick Used on Type No(s). 0113, 0116, 0117, 0471, 0743.

★ Included in Engine Gasket Set-Ref. No.358.

● Included in Carburetor Overhaul Kit-Ref. No. 121 & 121A.

◆ Included in Carburetor Gasket Set-Ref. No. 977.

△ Included in Valve Gasket Set-Ref. No 1095.

Illustrations cover a range of engines. Parts shown without corresponding text may not be used on your specific engine.

31A500

REF. NO.	PART NO.	DESCRIPTION	REF. NO.	PART NO.	DESCRIPTION	REF. NO.	PART NO.	DESCRIPTION		
526	697088	Screw (Regulator)	789A	698329	Harness-Wiring Used on Type No(s). 0111, 0117.	1005	699043	Fan-Flywheel		
527	698467	Clamp-Tube Used on Type No(s). 0471, 0743.	797	693167	Nut (Brush Retainer)	1017	690770	Screen-Oil Pump		
544	692034	Armature-Starter	801	691283	Cap-Drive	1022	Δ★272475s	Gasket-Rocker Cover		
552	697144	Bushing-Governor Crank	802	691286	Cap-End	1023	791079	Cover-Rocker		
559	697561	Screw (Remote Choke Stop) Used on Type No(s). 0471, 0743.	803		Housing-Starter (Not Serviced Separately, Order Starter Motor 693551)	1026	692003	Rod-Push (Intake) ----- Note -----		
562	691119	Bolt (Governor Control Lever)	830	691095	Stud-Rocker Arm	1029	691751	Rod-Push (Exhaust)		
579	691029	Nut (Starter Cable)	842	★691031	Seal-O Ring (Dipstick Tube)	1034	690822	Arm-Rocker		
584	697112	Cover-Breather Passage	847	790442	Dipstick/Tube Assembly Used on Type No(s). 0113, 0116, 0117, 0471, 0743. ----- Note -----	1036		Guide-Push Rod Label-Emissions (Available from an Authorized Briggs & Stratton Service Dealer)		
601	791850	Clamp-Hose			790443 Dipstick/Tube Assembly Used on Type No(s). 0111.	1040	698368	Plate-Trim		
601A	691038	Clamp-Hose	851	692424	Terminal-Spark Plug	1044	691658	Screw (Flywheel)		
614	691620	Pin-Cotter	868	Δ★690968	Seal-Valve	1051	691265	Ring-Retaining		
616	692012	Crank-Governor	877	393456	Wire/Connector- Alternator (Dual Circuit)	1054	280275	Tie-Cable		
617	★692138	Seal-O Ring (Intake Manifold)	877B	393537	Wire/Connector- Alternator (Tri Circuit)	1058	276344	Operator's Manual		
634A	690802	Spring/Seal Assembly			878	398661	Kit-Screw/Washer			
634B	698779	Spring/Seal Assembly			878A	691955	Screw (Flywheel Fan)			
635	691909	Boot-Spark Plug			883	★692236	Retainer-Brush			
643	698401	Retainer-Air Filter			914	691108	Cap-Limiter			
654	690958	Nut (Carburetor)			918	791851	Gasket Set-Valve			
691	★692407	Seal-Governor Shaft			947	694393	Screw (Alternator)			
692	690572	Spring-Detent			947A	699915	Screw (Float Bowl)			
697	690372	Screw (Drive Cap)			950	695407	Screw (Bottom Of Bowl)			
718	690959	Pin-Locating			958	698183	Valve-Fuel Shut Off (Plastic)			
729	691335	Clip-Wire (Wire Saddle)			967	697015	Filter-Pre Cleaner			
729A	691224	Clip-Wire (Aluminum Coated Steel)			968	698403	Cover-Air Cleaner			
741	697128	Gear-Timing			975	495933	Bowl-Float			
757	793242	Link-Counterweight			975A	699502	Bowl-Float			
758	697134	Counterweight			977	690192	Gasket Set-Carburetor			
759	697392	Pin-Counterweight			987	691326	Seal-Throttle Shaft			
783	693713	Gear-Pinion			987A	698777	Seal-Throttle Shaft			
788	699347	Bracket-Fuel Pump								
								1095	691581	Gasket Set-Valve
								1119	691183	Screw (Alternator)
								1127	695407	Screw (Float Bowl)
								1263	697124	Reed-Breather
								1264	697104	Screw (Breather Reed)
								1266	★691917	Seal-O Ring (Intake Elbow)
								1266A	697123	Seal-O Ring (Intake Elbow)
								1267	697419	Latch-Blower Housing (Black)
								1270	793243	Plug-AVS Counterweight
								1330	272147	Repair Manual

★ Included in Engine Gasket Set-Ref. No.358.

● Included in Carburetor Overhaul Kit-Ref. No. 121 & 121A.

◆ Included in Carburetor Gasket Set-Ref. No. 977.

Δ Included in Valve Gasket Set-Ref. No 1095.

Illustrations cover a range of engines. Parts shown without corresponding text may not be used on your specific engine.