



# Illustrated Parts List

## Model Series

### 31P800

TYPE NUMBERS  
0110 THROUGH 0608.

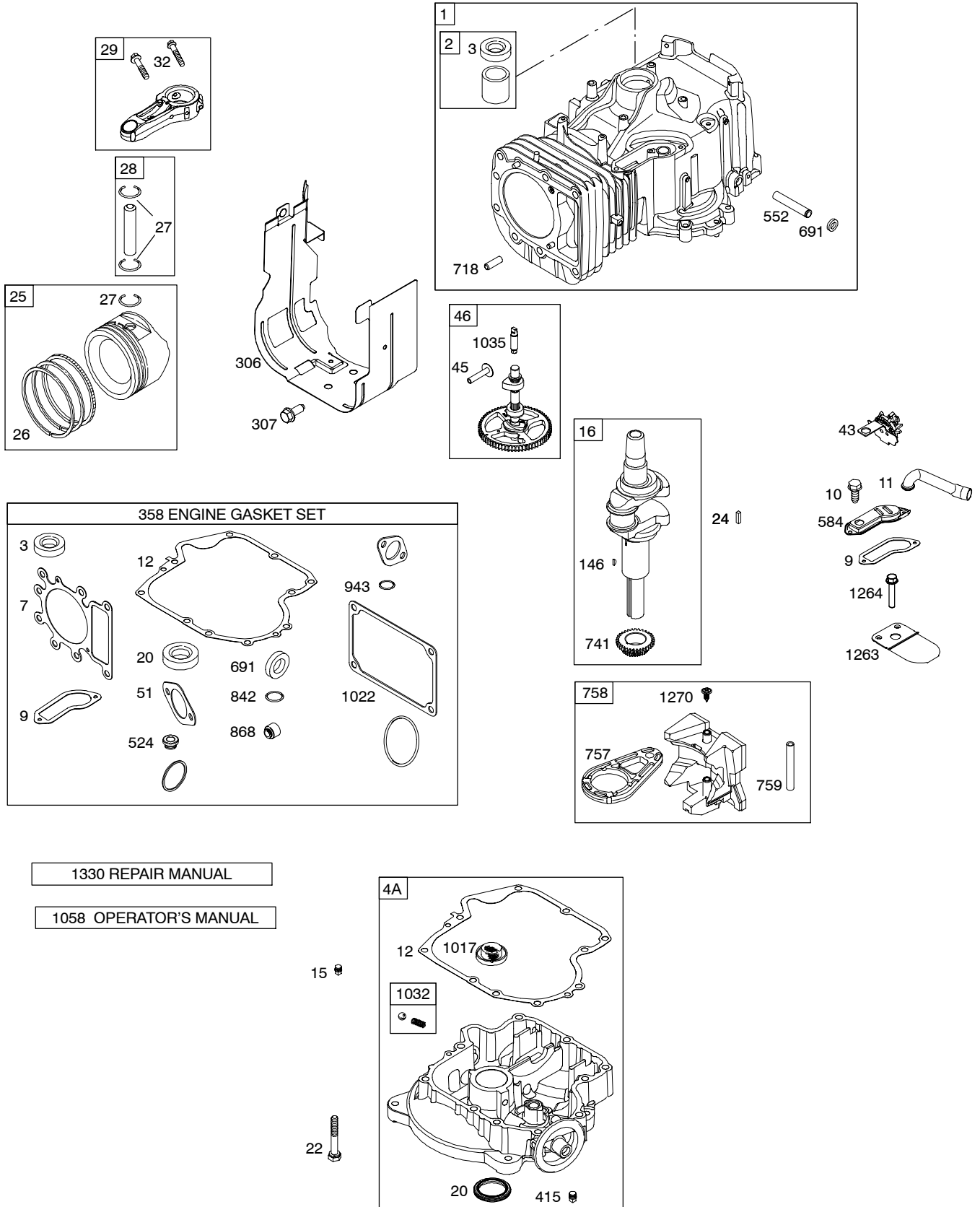
#### TABLE OF CONTENTS

Air Cleaner .....	5
Alternator .....	7
Blower Housing .....	5
Camshaft .....	2
Carburetor .....	4
Controls .....	7
Crankshaft .....	2
Cylinder .....	2
Cylinder Head .....	3
Electric Starter .....	7
Engine Sump .....	2
Exhaust System .....	5
Flywheel .....	6
Fuel Supply .....	4
Gasket Set-Engine .....	2
Gasket Set-Valve .....	3
Governor Spring .....	7
Ignition .....	7
Intake Manifold .....	3
Kit-Carburetor Overhaul .....	4
Lubrication .....	3
Piston, Rings, and Connecting Rod ...	2
Valves .....	3

PRINTED IN U.S.A.



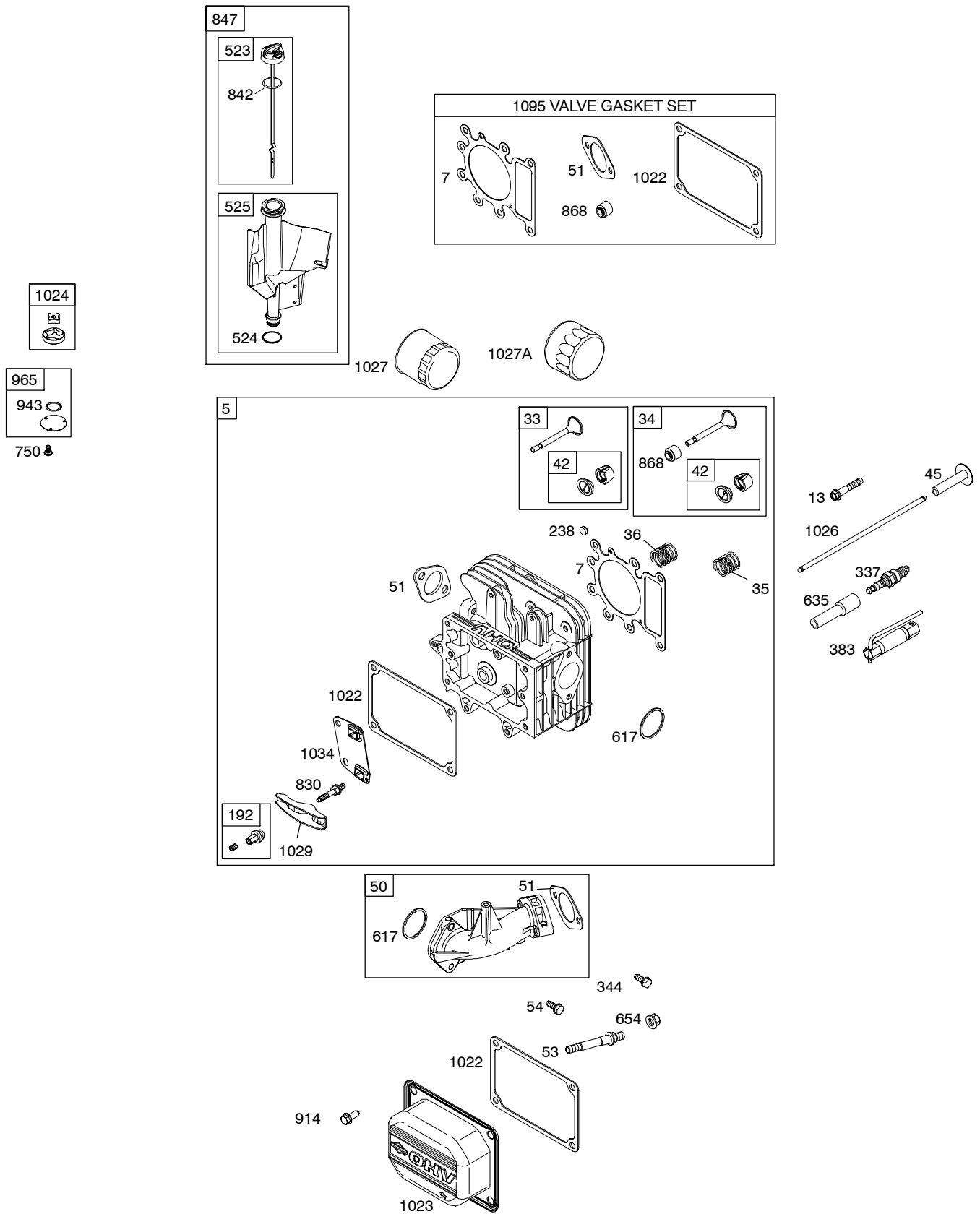
COPYRIGHT by BRIGGS & STRATTON CORPORATION  
All rights reserved. No part of this material may be reproduced or transmitted, in any form or by any means, electronic or mechanical, including photocopying, recording or by any information storage and retrieval system, without permission in writing from Briggs & Stratton Corporation.



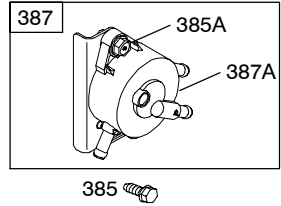
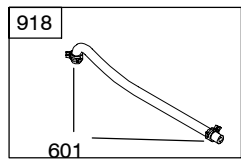
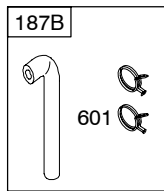
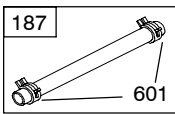
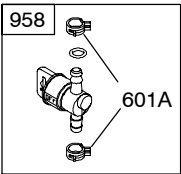
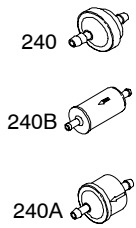
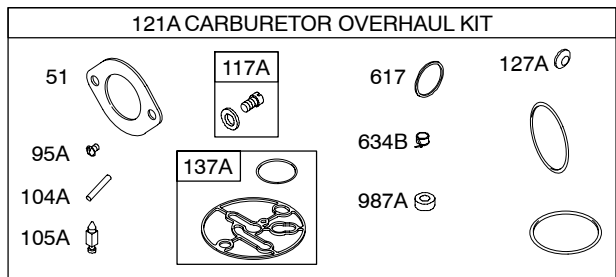
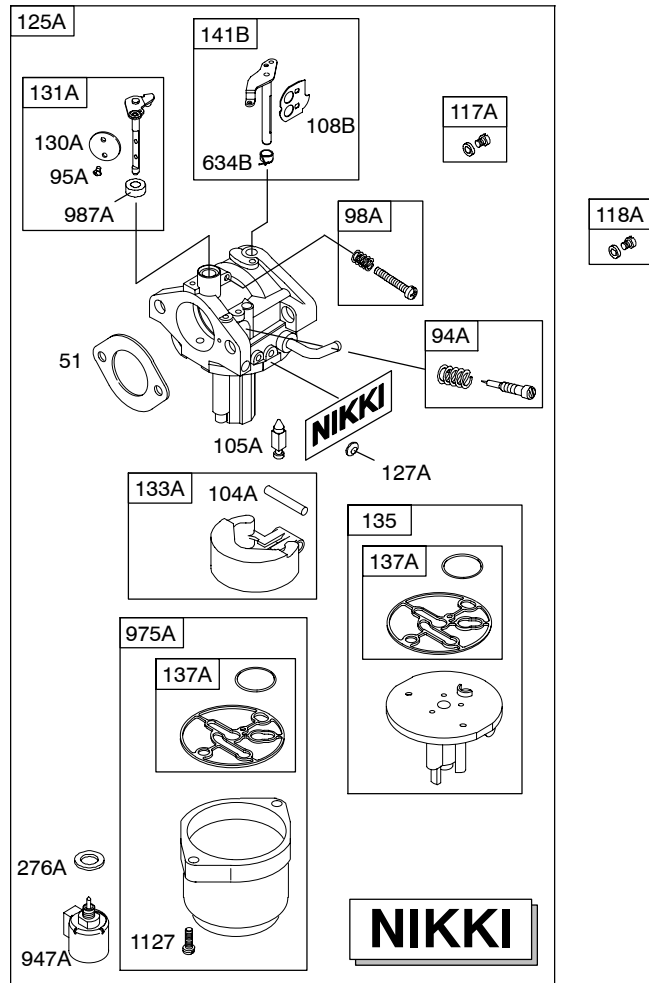
1330 REPAIR MANUAL

1058 OPERATOR'S MANUAL

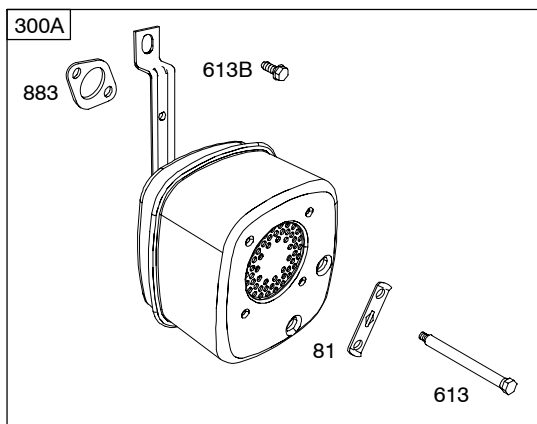
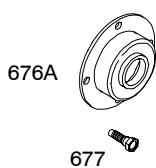
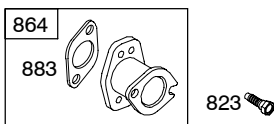
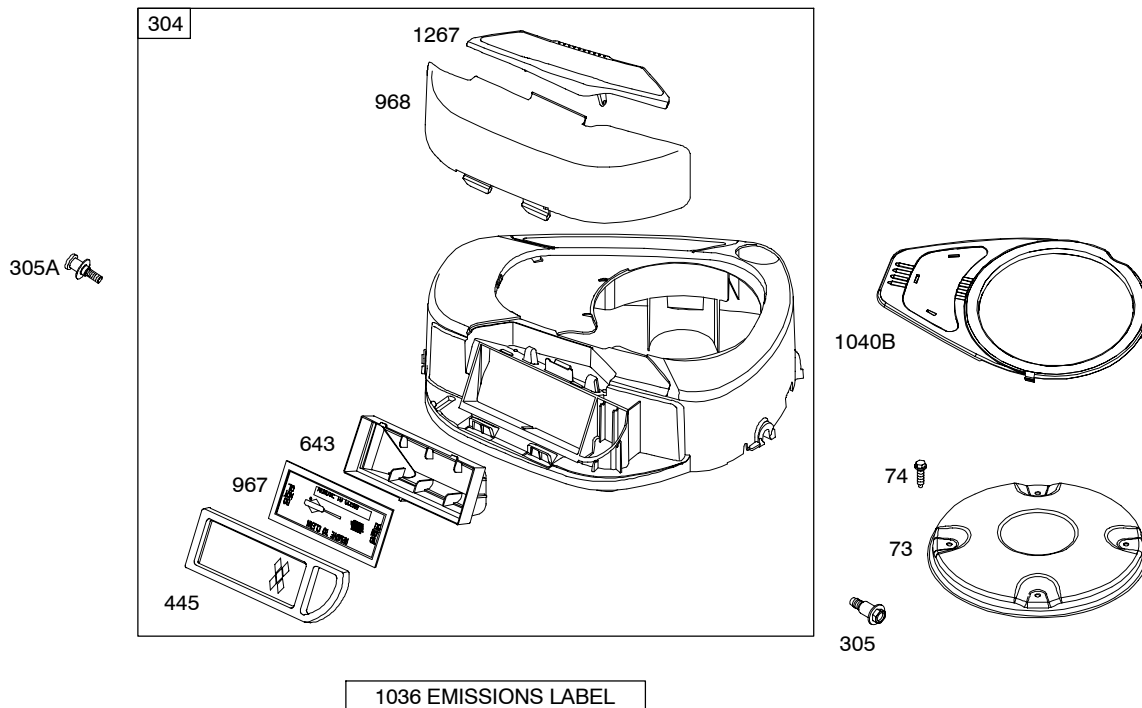
Illustrations cover a range of engines. Parts shown without corresponding text may not be used on your specific engine.



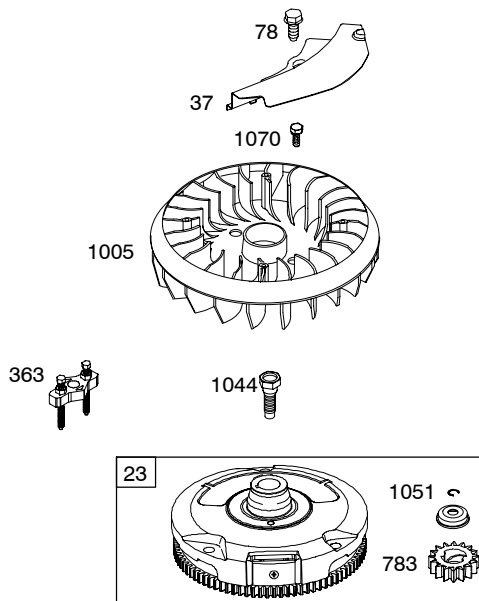
Illustrations cover a range of engines. Parts shown without corresponding text may not be used on your specific engine.



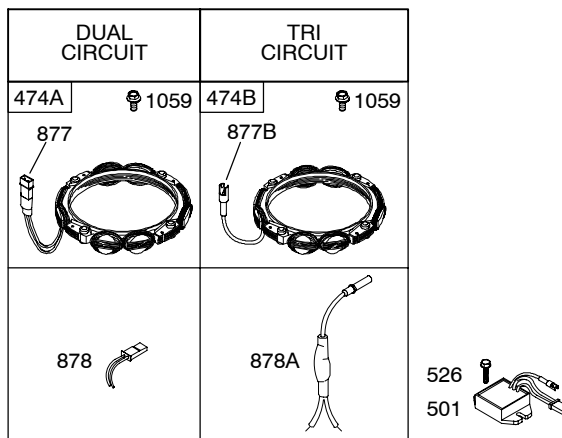
*Illustrations cover a range of engines. Parts shown without corresponding text may not be used on your specific engine.*



*Illustrations cover a range of engines. Parts shown without corresponding text may not be used on your specific engine.*

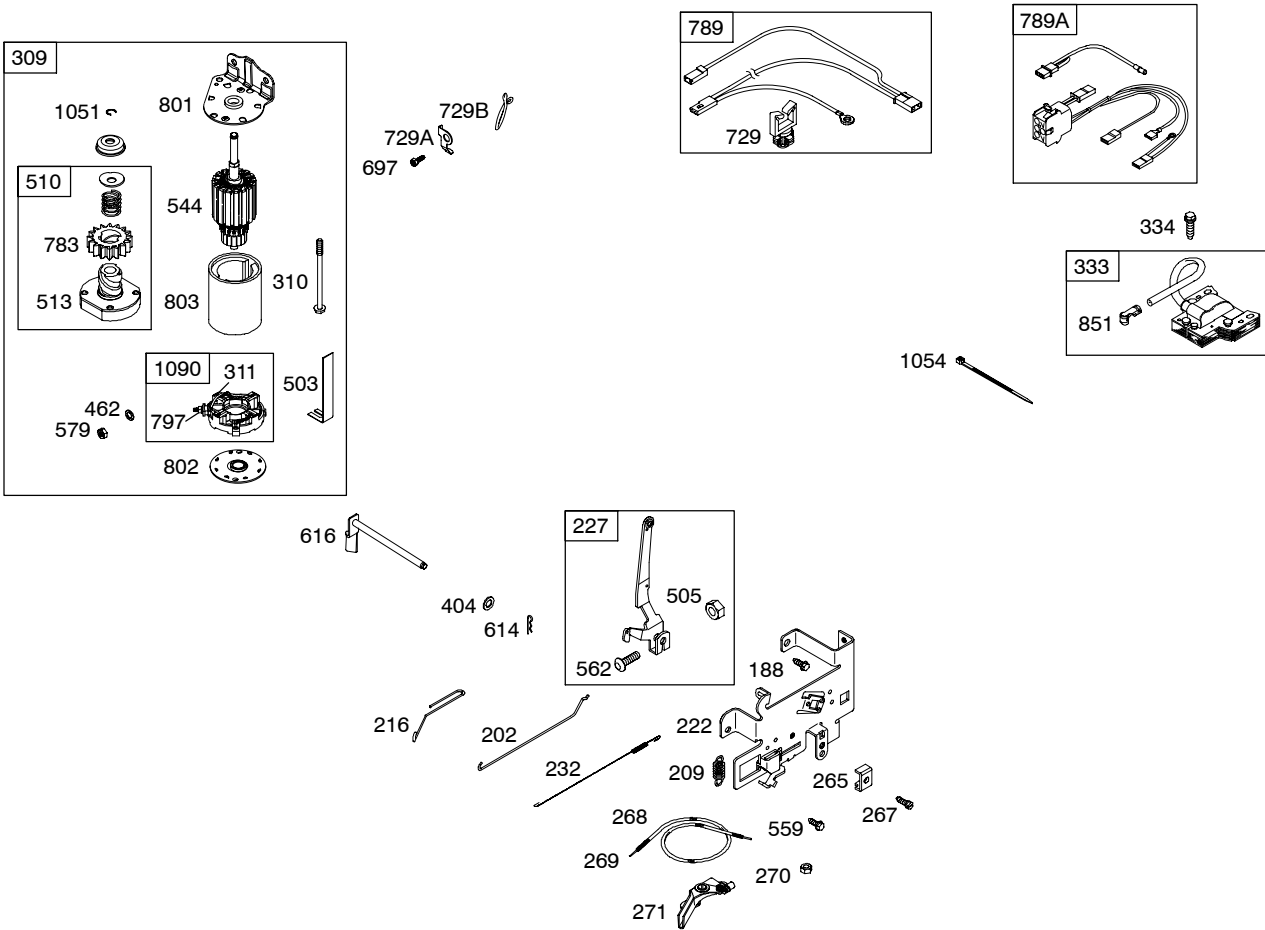


*Illustrations cover a range of engines. Parts shown without corresponding text may not be used on your specific engine.*



**NOTE:** All stators use a No. 1119 mounting screw.

**NOTE:** The proper flywheel part number and/or the alternator magnet size will determine the alternator type or output. See repair instruction manual for additional information.



Illustrations cover a range of engines. Parts shown without corresponding text may not be used on your specific engine.

# 31P800

REF. NO.	PART NO.	DESCRIPTION	REF. NO.	PART NO.	DESCRIPTION	REF. NO.	PART NO.	DESCRIPTION
1	697174	Cylinder Assembly	33	791934	Valve-Exhaust	127A	690727	Plug-Welch
2	399265	Kit-Bushing/Seal (Magneto Side)	34	791935	Valve-Intake	130A	699500	Valve-Throttle
3	391086s	Seal-Oil (Magneto Side)	35	691279	Spring-Valve (Intake)	131A	699501	Kit-Throttle Shaft
4A	697188	Sump-Engine	36	691279	Spring-Valve (Exhaust)	133A	694914	Float-Carburetor
5	792360	Head-Cylinder	37	697352	Guard-Flywheel	135	792022	Tube-Fuel Transfer ----- <b>Note</b> ----- <b>698780</b> Tube-Fuel Transfer
7	699168	Gasket-Cylinder Head	42	499586	Keeper-Valve			Used on Type No(s). 0608.
9	697109	Gasket-Breather	43	691968	Slinger-Governor/Oil	137A	698781	Gasket-Float Bowl
10	697157	Screw (Breather Assembly)	45	690564	Tappet-Valve	141B	698778	Kit-Choke Shaft
11	697113	Tube-Breather	46	791942	Camshaft	146	690979	Key-Timing
12	697110	Gasket-Crankcase (.015" Thick) (Standard)	50	690193	Manifold-Intake	187	791766	Line-Fuel (15 Inches Long)(Cut To Required Length)
13	690360	Screw (Cylinder Head)	51	692137	Gasket-Intake			(Formed)(10-1/4 Inches Long)(Cut to Required Length)
15	690946	Plug-Oil Drain (Square Head)	53	690227	Stud (Carburetor)	187B	791805	Line-Fuel (Formed)(10-1/4 Inches Long)(Cut to Required Length)
16	697516	Crankshaft	54	691148	Screw (Intake Manifold)			Screw (Control Bracket)
20	791892	Seal-Oil (PTO Side)	73	697133	Screen-Rotating	188	691693	Screw (Control Bracket)
22	692125	Screw (Crankcase Cover/Sump)	74	697897	Screw (Rotating Screen)	192	691986	Adjuster-Rocker Arm
23	698282	Flywheel ----- <b>Note</b> ----- <b>693556</b> Flywheel Used on Type No(s). 0036. <b>693557</b> Flywheel Used on Type No(s). 0608. <b>790894</b> Flywheel Used on Type No(s). 0122.	78	691003	Screw (Flywheel Guard)	202	691841	Link-Mechanical Governor
24	222698s	Key-Flywheel	81	691178	Lock-Muffler Screw	209	692208	Spring-Governor Used on Type No(s). 0036, 0110, 0608. ----- <b>Note</b> ----- <b>691795</b> Spring-Governor Used on Type No(s). 0118. <b>792602</b> Spring-Governor Used on Type No(s). 0121, 0122.
25	792507	Piston Assembly (Standard) ----- <b>Note</b> ----- <b>792648</b> Piston Assembly (.020" Oversize)	94A	695425	Kit-Idle Mixture	216	691840	Link-Choke
26	791936	Ring Set (Standard) ----- <b>Note</b> ----- <b>791947</b> Ring Set (.020" Oversize)	95A	690718	Screw (Throttle Valve)	222	694042	Bracket-Control
27	698469	Lock-Piston Pin	98A	695408	Kit-Idle Speed	227	691374	Lever-Governor Control
28	697099	Pin-Piston (Standard)	104A	694918	Pin-Float Hinge	232	691842	Spring-Governor Link
29	791632	Rod-Connecting	105A	696136	Valve-Float Needle	238	691843	Cap-Valve
32	791118	Screw (Connecting Rod)	108B	695419	Valve-Choke	240	394358s	Filter-Fuel (White, 75 Microns) Used on Type No(s). 0608.
			117A	699732	Jet-Main (Standard)			
			118A	699458	Jet-Main (High Altitude) ----- <b>Note</b> ----- <b>697228</b> Jet-Main (High Altitude) Used on Type No(s). 0608.			
			121A	699521	Kit-Carburetor Overhaul (Nikki Carburetor)			
			125A	792171	Carburetor (Nikki Carburetor) ----- <b>Note</b> ----- <b>792358</b> Carburetor (Nikki Carburetor) Used on Type No(s). 0608.			

★ Included in Engine Gasket Set-Ref. No.358.

● Included in Carburetor Overhaul Kit-Ref. No. 121B.

△ Included in Valve Gasket Set-Ref. No 1095.

**Illustrations cover a range of engines. Parts shown without corresponding text may not be used on your specific engine.**

# 31P800

REF. NO.	PART NO.	DESCRIPTION	REF. NO.	PART NO.	DESCRIPTION	REF. NO.	PART NO.	DESCRIPTION
<b>240A</b>	<b>691035</b>	Filter-Fuel (Includes Paper Element With A 40 Micron Rating) Used on Type No(s). 0036, 0110, 0118, 0122.	<b>265</b>	<b>691024</b>	Clamp-Casing			
			<b>267</b>	<b>690804</b>	Screw (Casing Clamp)			
					----- <b>Note</b> -----			
					<b>695134</b> Screw (Casing Clamp) Used on Type No(s). 0036.			
<b>240B</b>	<b>695666</b>	Filter-Fuel (Includes 30 Micron Paper Element) Used on Type No(s). 0121.			<b>792629</b> Screw (Casing Clamp) Used on Type No(s). 0608.			

★ Included in Engine Gasket Set-Ref. No.358.

△ Included in Valve Gasket Set-Ref. No 1095.

● Included in Carburetor Overhaul Kit-Ref. No. 121.

**Illustrations cover a range of engines. Parts shown without corresponding text may not be used on your specific engine.**

3509-9

Assemblies include all parts shown in frames.

01/24/2007

# 31P800

REF. NO.	PART NO.	DESCRIPTION	REF. NO.	PART NO.	DESCRIPTION	REF. NO.	PART NO.	DESCRIPTION
268	691025	Casing-Control Wire (Cut To Required Length)	387	697090	Pump-Fuel	614	691620	Pin-Cotter
269	691026	Wire-Control (Cut To Required Length)	387A	808656	Pump-Fuel	616	692012	Crank-Governor
270	691027	Nut (Control Wire Casing)	404	691691	Washer (Governor Crank)	617	692138	Seal-O Ring (Intake Manifold)
271	691028	Lever-Control	415	690283	Plug (Sump)	634B	698779	Spring/Seal Assembly
276A	695410	Washer-Sealing	445	698083	Filter-Air Cleaner Cartridge (Non Washable)	635	691909	Boot-Spark Plug
300A	698356	Muffler Used on Type No(s). 0122.	462	691261	Washer (Starter Cable)	643	698401	Retainer-Air Filter
304	699829	Housing-Blower (Black) ----- <b>Note</b> ----- 790929 Housing-Blower (Red) Used on Type No(s). 0122.	474A	696459	Alternator (Dual Circuit) Used on Type No(s). 0122, 0608.	654	690958	Nut (Carburetor)
305	697102	Screw (Blower Housing)	474B	696457	Alternator (Tri Circuit) Used on Type No(s). 0036, 0110, 0118, 0121.	676A	396903	Def;ectpr-Muffler Used on Type No(s). 0122.
305A	697103	Screw (Blower Housing)	501	691188	Regulator	677	690661	Screw (Muffler Deflector)
306	697107	Shield-Cylinder	503	691532	Strap-Starter	691	692407	Seal-Governor Shaft
307	691003	Screw (Cylinder Shield)	505	691251	Nut (Governor Control Lever)	697	690372	Screw (Drive Cap)
309	693551	Motor-Starter	510	693699	Drive-Starter	718	690959	Pin-Locating
310	690323	Screw (Starter Motor)	513	692024	Clutch-Drive	729	691335	Clip-Wire
311	497608	Brush Set	523	699908	Dipstick	729A	691224	Clip-Wire
333	492341	Armature-Magneto	524	691032	Seal-Dipstick Tube	729B	694123	Clip-Wire
334	691061	Screw (Magneto Armature)	525	697085	Tube-Dipstick ----- <b>Note</b> ----- 697184 Tube-Dipstick Used on Type No(s). 0608.	741	697128	Gear-Timing
337	491055s	Plug-Spark Used on Type No(s). 0036, 0110, 0608. ----- <b>Note</b> ----- 691043 Plug-Spark Used on Type No(s). 0122. 792015 Plug-Spark Used on Type No(s). 0118, 0121.	526	697088	Screw (Regulator)	750	790832	Screw (Oil Pump Cover)
344	693675	Screw (Cable Clamp) Used on Type No(s). 0121.	544	692034	Armature-Starter	757	697607	Link-Counterweight
358	697191	Gasket Set-Engine	552	697144	Bushing-Governor Crank	758	697134	Counterweight
363	19203	Puller-Flywheel	559	697561	Screw (Remote Choke Stop)	759	697392	Pin-Counterweight
383	89838s	Wrench-Spark Plug	562	691119	Bolt (Governor Control Lever)	783	693713	Gear-Pinion
385	694476	Screw (Fuel Pump)	579	691029	Nut (Starter Cable)	789	692037	Harness-Wiring Used on Type No(s). 0122.
385A	690297	Screw (Fuel Pump)	584	697112	Cover-Breather Passage	789A	698329	Harness-Wiring
			601	791850	Clamp-Hose	797	693167	Nut (Brush Retainer)
			601A	691038	Clamp-Hose	801	691283	Cap-Drive
			613	691416	Screw (Muffler)	802	691286	Cap-End
			613B	691678	Screw (Muffler)	803		Housing-Starter (Not Serviced Separately, Order Starter Motor 693551)
						823	698941	Screw (Muffler Adapter)
						830	691095	Stud-Rocker Arm
						842	691031	Seal-O Ring (Dipstick Tube)
						847	790443	Dipstick/Tube Assembly ----- <b>Note</b> ----- 790442 Dipstick/Tube Assembly Used on Type No(s). 0608.

★ Included in Engine Gasket Set-Ref. No.358.

● Included in Carburetor Overhaul Kit-Ref. No. 121B.

△ Included in Valve Gasket Set-Ref. No 1095.

**Illustrations cover a range of engines. Parts shown without corresponding text may not be used on your specific engine.**

REF. NO.	PART NO.	DESCRIPTION	REF. NO.	PART NO.	DESCRIPTION	REF. NO.	PART NO.	DESCRIPTION
851	692424	Terminal-Spark Plug	975A	699502	Bowl-Float	1040B	699852	Plate-Trim
864	697346	Adapter-Muffler Used on Type No(s). 0122.	987A	698777	Seal-Throttle Shaft	1044	698139	Screw (Flywheel)
868	690968	Seal-Valve	1005	699043	Fan-Flywheel	1051	691265	Ring-Retaining
877	393456	Wire/Connector- Alternator (Dual Circuit)	1017	690770	Screen-Oil Pump	1054	280275	Tie-Cable
877B	393537	Wire/Connector- Alternator (Tri Circuit)	1022	272475s	Gasket-Rocker Cover	1058	276344	Operator's Manual
878	398661	Harness-Alternator (Dual Circuit)	1023	791079	Cover-Rocker	1059	698516	Kit-Screw/Washer
878A	691955	Harness-Alternator	1024	499054	Pump-Oil	1070	690372	Screw (Flywheel Fan)
883	692236	Gasket-Exhaust (Tri Circuit)	1026	692003	Rod-Push (Intake)	1090	691293	Retainer-Brush
914	691108	Screw (Rocker Cover)			----- <b>Note</b> ----- 692011 Rod-Push (Exhaust)	1095	690190	Gasket Set-Valve
918	791851	Hose-Vacuum	1027	492932s	Filter-Oil Used on Type No(s). 0036, 0110, 0118, 0122, 0608.	1119	691183	Screw (Alternator)
943	690589	Seal-O Ring (Oil Pump Cover)	1027A	696854	Filter-Oil Used on Type No(s). 0121.	1127	695407	Screw (Float Bowl)
947A	699915	Solenoid-Fuel	1029	691751	Arm-Rocker	1263	697124	Reed-Breather
958	698183	Valve-Fuel Shut Off (Plastic)	1032	491710	Ball-Oil Pump	1264	697104	Screw (Breather Reed)
965	499613	Cover-Oil Pump	1034	690822	Guide-Push Rod	1267	697419	Latch-Blower Housing (Black)
967	697015	Filter-Pre Cleaner	1035	693784	Shaft-Pump Label-Emissions (Available from an Authorized Briggs & Stratton Service Dealer)			----- <b>Note</b> ----- 697424 Latch-Blower Housing (Red) Used on Type No(s). 0122.
968	699986	Cover-Air Cleaner (Black)	1036			1270	697156	Plug-AVS Counterweight
		----- <b>Note</b> ----- 699848 Cover-Air Cleaner (Red) Used on Type No(s). 0122.				1330	272147	Repair Manual

★ Included in Engine Gasket Set-Ref. No.358.

△ Included in Valve Gasket Set-Ref. No 1095.

● Included in Carburetor Overhaul Kit-Ref. No. 121.

**Illustrations cover a range of engines. Parts shown without corresponding text may not be used on your specific engine.**