



Illustrated Parts List

Model Series

331700

TYPE NUMBERS
0115 through 1457.

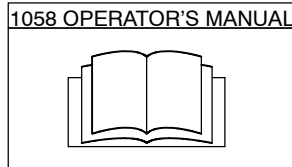
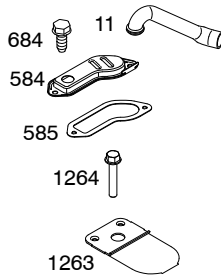
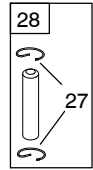
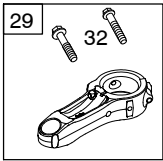
TABLE OF CONTENTS

Air Cleaner	5
Alternator	7
Blower Housing	5
Camshaft	2
Carburetor	4
Controls	7
Crankshaft	2
Cylinder	2
Cylinder Head	3
Electric Starter	7
Engine Sump	2
Flywheel	6
Fuel Supply	4
Gasket Set-Engine	2
Gasket Set-Valve	3
Governor Spring	7
Ignition	7
Intake Manifold	3
Kit-Carburetor Overhaul	4
Lubrication	3
Operator's Manual	2
Piston, Rings, and Connecting Rod ..	2
Valves	3
Warning Label	2



PRINTED IN U.S.A.

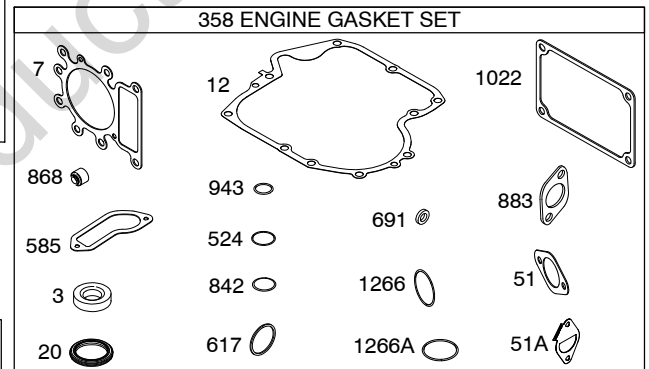
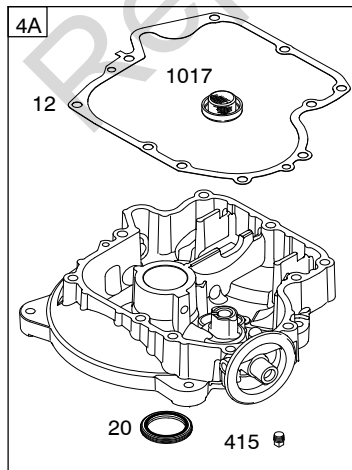
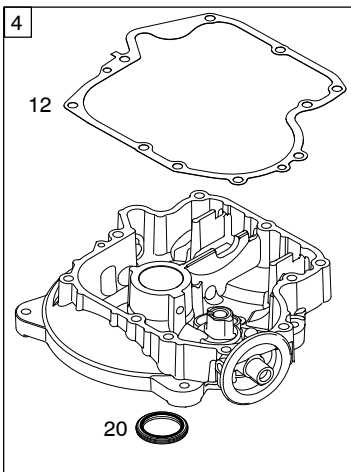
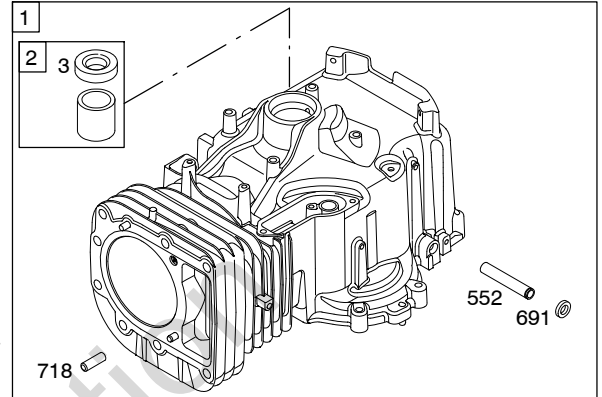
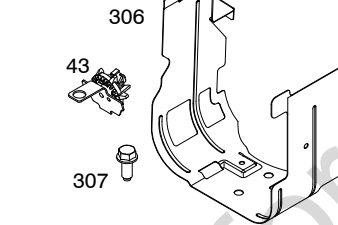
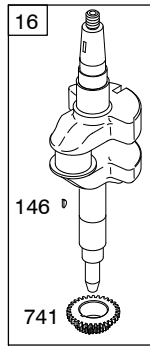
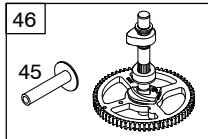
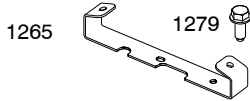
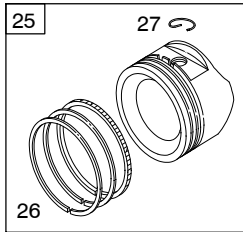
COPYRIGHT by BRIGGS & STRATTON CORPORATION
All rights reserved. No part of this material may be reproduced or transmitted, in any form or by any means, electronic or mechanical, including photocopying, recording or by any information storage and retrieval system, without permission in writing from Briggs & Stratton Corporation.



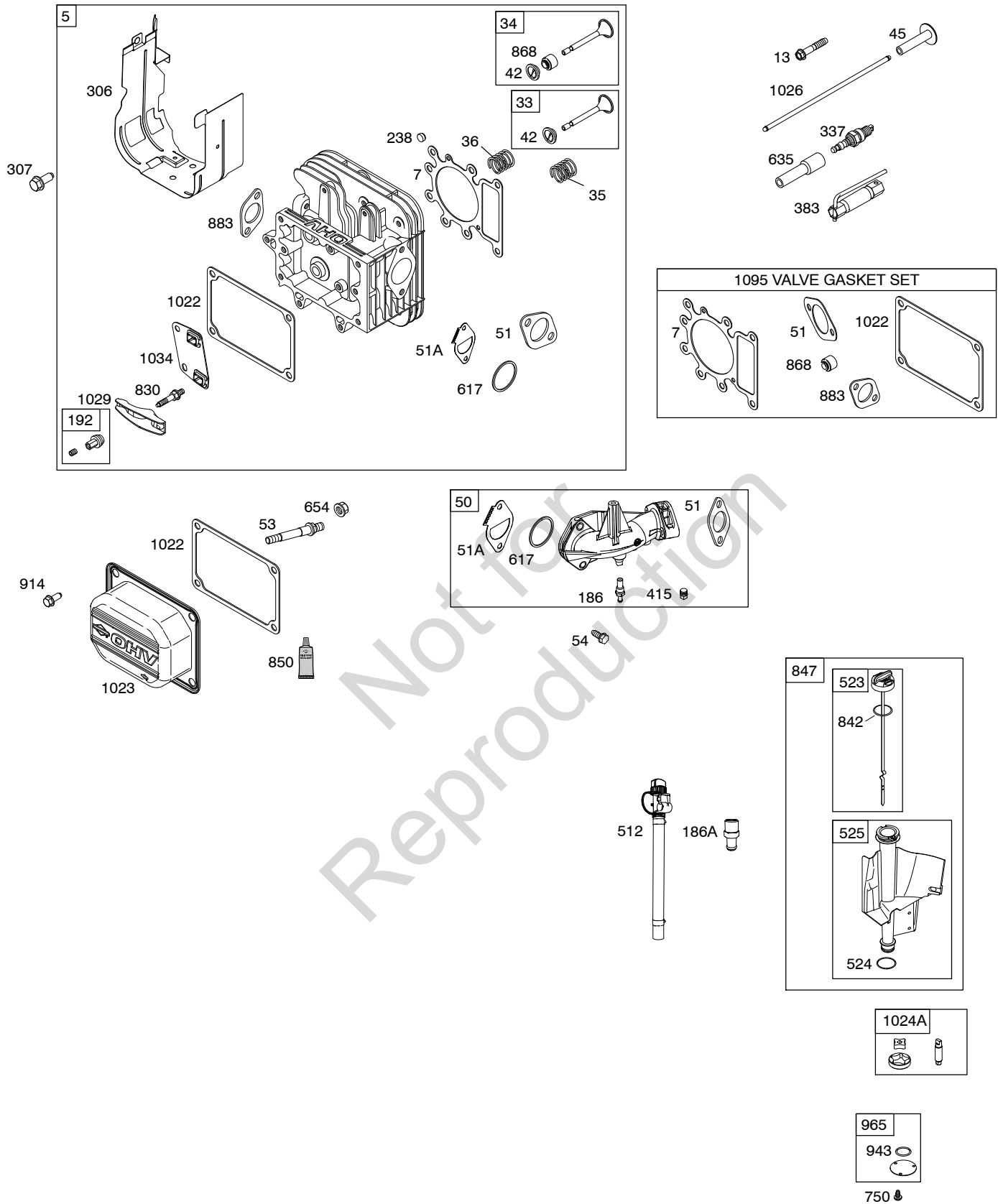
1319 WARNING LABEL

WARNING	
	Read and follow Operating Instructions before running engine.
	Gasoline is flammable. Allow engine to cool at least 2 minutes before refueling.
	Engines emit carbon monoxide. DO NOT run in enclosed area.
	Muffler area temperature may exceed 150°F. Do not touch hot parts.

REQUIRED when replacing parts with warning labels affixed.



Illustrations cover a range of engines. Parts shown without corresponding text may not be used on your specific engine.



1095 VALVE GASKET SET

7, 51, 1022, 868, 883

50, 51A, 617, 186, 415, 54, 51

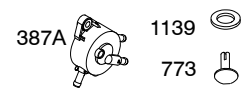
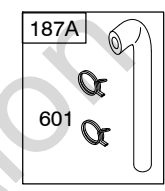
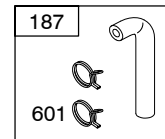
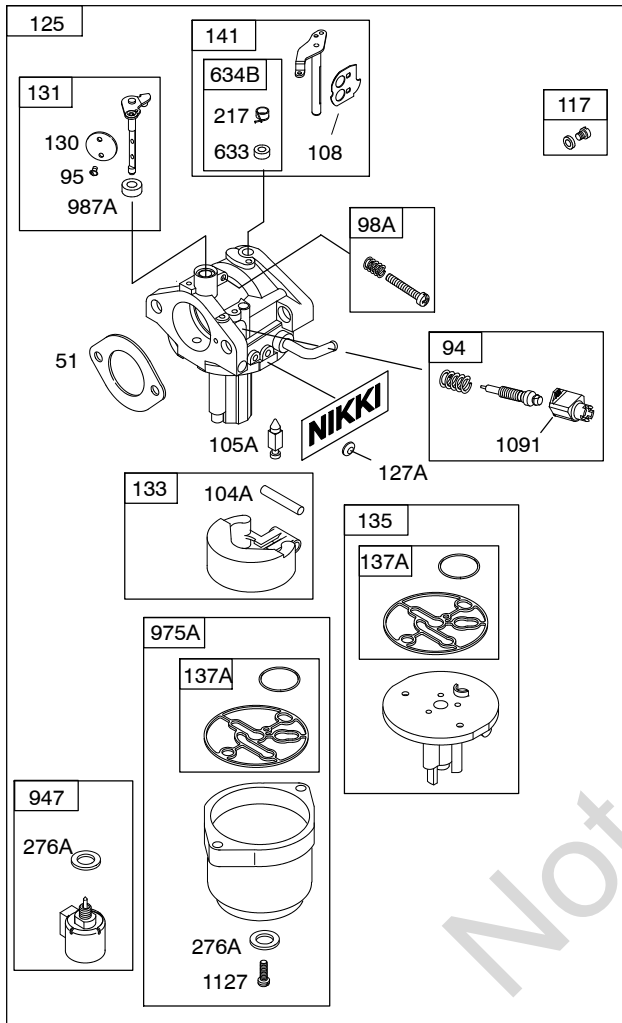
847, 523, 842, 525, 524

1024A

965, 943, 750

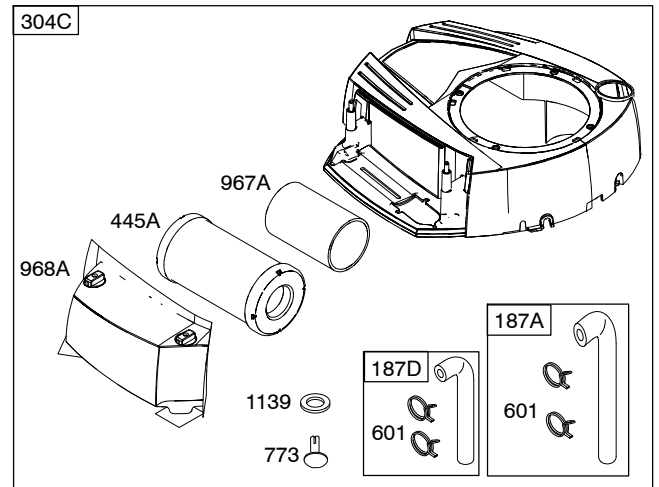
Illustrations cover a range of engines. Parts shown without corresponding text may not be used on your specific engine.
 4022-3 Assemblies include all parts shown in frames. 07/15/2010




331700



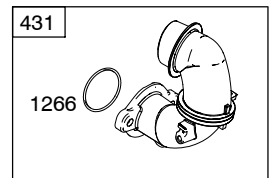
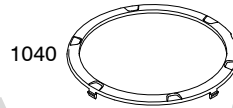
121A CARBURETOR OVERHAUL KIT			
51	127A	137A	98A
104A	987A		
105A	633	1266	217
51A	617	1266A	276A

Illustrations cover a range of engines. Parts shown without corresponding text may not be used on your specific engine.
 4022-4 Assemblies include all parts shown in frames. 07/15/2010



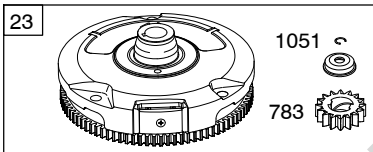
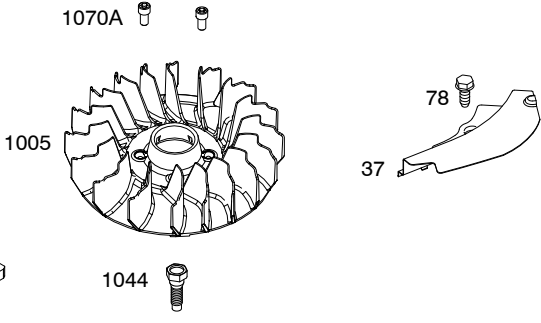
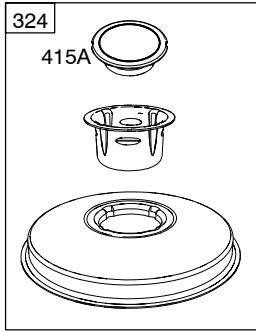
- 305 
- 305A 
- 305B 

1036 EMISSIONS LABEL

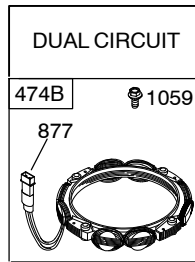


- 305B 

Not for
Reproduction

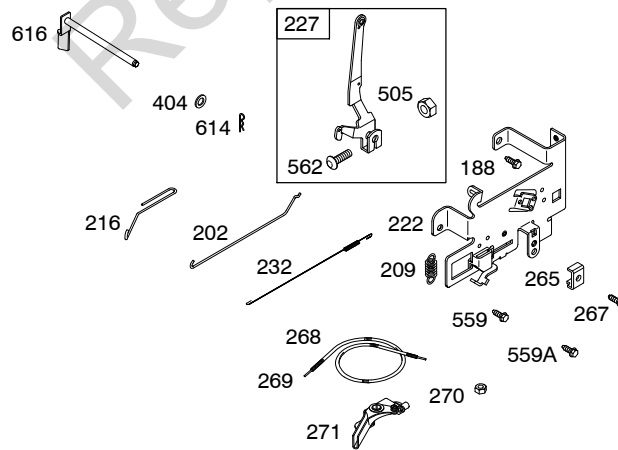
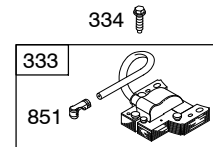
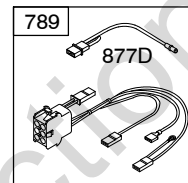
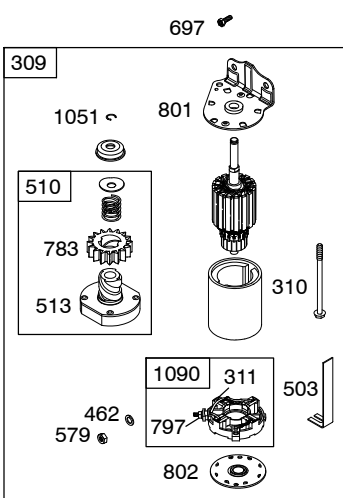


Not for
Reproduction



NOTE: All stators use a No. 1119 mounting screw.

NOTE: The proper flywheel part number and/or the alternator magnet size will determine the alternator type or output. See repair instruction manual for additional information.



331700

REF. NO.	PART NO.	DESCRIPTION	REF. NO.	PART NO.	DESCRIPTION	REF. NO.	PART NO.	DESCRIPTION
1	794128	Cylinder Assembly	20	795387	Seal-Oil (PTO Side)	29	794122	Rod-Connecting ----- Note -----
2	399265	Kit-Bushing/Seal (Magneto Side)	22	692125	Screw (Crankcase Cover/Sump)			794571 Rod-Connecting Used on Type No(s). 0956, 1107, 1192.
3	391086s	Seal-Oil (Magneto Side)	23	693557	Flywheel ----- Note -----	32	791118	Screw (Connecting Rod)
4	697106	Sump-Engine (Used After Code Date 05100200). Used on Type No(s). 0115B1, 0115G1. ----- Note -----			698281 Flywheel Used on Type No(s). 0815, 0819, 1372, 1457.	33	792868	Valve-Exhaust
		795903 Sump-Engine (Used Before Code Date 05100300). Used on Type No(s). 0115B1. (Must Use Kit 795903, Includes Sump And Counterweight).	24	796335	Key-Flywheel	34	791935	Valve-Intake
4A	697188	Sump-Engine (Used After Code Date 05100200). ----- Note -----	25	794124	Piston Assembly (Standard) (Used Before Code Date 08100700). ----- Note -----	35	691279	Spring-Valve (Intake)
		795938 Sump-Engine (Used Before Code Date 05100300). (Must Use Kit 795938, Includes Sump And Counterweight).			794125 Piston Assembly (.020" Oversize) (Used Before Code Date 08100700).	36	691279	Spring-Valve (Exhaust)
5	796026	Head-Cylinder	25A	795858	Piston Assembly (Standard) (Used After Code Date 08100600). ----- Note -----	37	699882	Guard-Flywheel
7	794114	Gasket-Cylinder Head			795877 Piston Assembly (.020" Oversize) (Used After Code Date 08100600).	42	499586	Keeper-Valve
11	794683	Tube-Breather				43	691968	Slinger-Governor/Oil
12	697110	Gasket-Crankcase (.015" Thick) (Standard)	26	794126	Ring Set (Standard) ----- Note -----	45	690564	Tappet-Valve
13	793988	Screw (Cylinder Head)			794127 Ring Set (.020" Oversize)	46	793880	Camshaft
15	690946	Plug-Oil Drain (Square Head)	27	698469	Lock-Piston Pin	50	796180	Manifold-Intake
16	797579	Crankshaft Used on Type No(s). 0815, 0819, 1372, 1457. ----- Note -----	28	795861	Pin-Piston (Standard) (Used After Code Date 08100600). ----- Note -----	51	692137	Gasket-Intake
		797585 Crankshaft Used on Type No(s). 0956, 1107, 1192.			794143 Pin-Piston (Standard) (Used Before Code Date 08100700).	51A	796081	Gasket-Intake
		797579 Crankshaft Used on Type No(s). 0115, 0546, 0946.				53	690227	Stud (Carburetor)
						54	691148	Screw (Intake Manifold)
						74	697897	Screw (Rotating Screen)
						78	691003	Screw (Flywheel Guard)
						94	793610	Kit-Idle Mixture
						95	690718	Screw (Throttle Valve)
						98A	695408	Kit-Idle Speed
						104A	694918	Pin-Float Hinge
						105A	696136	Valve-Float Needle
						108	695419	Valve-Choke

Illustrations cover a range of engines. Parts shown without corresponding text may not be used on your specific engine.
4022-8 Assemblies include all parts shown in frames. 07/15/2010

REF. NO.	PART NO.	DESCRIPTION	REF. NO.	PART NO.	DESCRIPTION	REF. NO.	PART NO.	DESCRIPTION
117	796521	Jet-Main (Standard) (Used After Code Date 09021100). ----- Note ----- 791501 Jet-Main (Standard) (Used Before Code Date 09021200). 796521 Jet-Main (Standard) (Used After Code Date 08092800). Used on Type No(s). 0115G1, 0946G1. 791501 Jet-Main (Standard) (Used Before Code Date 08092900). Used on Type No(s). 0115G1, 0946G1.	125	796587	Carburetor (Nikki Carburetor) (Used After Code Date 09021100). ----- Note ----- 794136 Carburetor (Nikki Carburetor) (Used Before Code Date 09021200). 796587 Carburetor (Nikki Carburetor) (Used After Code Date 08092800). Used on Type No(s). 0115G1, 0946G1. 794136 Carburetor (Nikki Carburetor) (Used Before Code Date 08092900). Used on Type No(s). 0115G1, 0946G1.	187A	791806	Line-Fuel (Formed)(21 Inches Long)(Cut To Required Length)
118	791406	Jet-Main (High Altitude) (Used After Code Date 09021100). ----- Note ----- 843099 Jet-Main (High Altitude) (Used Before Code Date 09021200). 791406 Jet-Main (High Altitude) (Used After Code Date 08092800). Used on Type No(s). 0115G1, 0946G1. 843099 Jet-Main (High Altitude) (Used Before Code Date 08092900). Used on Type No(s). 0115G1, 0946G1.	127A	690727	Plug-Welch	187D	791744	Line-Fuel (Formed)(14 Inches Long)(Cut To Required Length)
121	796184	Kit-Carburetor Overhaul (Nikki Carburetor)	130	792747	Valve-Throttle	188	691693	Screw (Control Bracket)
			131	792765	Kit-Throttle Shaft	192	691986	Adjuster-Rocker Arm
			133	694914	Float-Carburetor	202	691841	Link-Mechanical Governor
			135	698780	Tube-Fuel Transfer (Gravity Feed) ----- Note ----- 792022 Tube-Fuel Transfer (Pump Feed)	209	796260	Spring-Governor ----- Note ----- 690576 Spring-Governor Used on Type No(s). 0815.
			137A	698781	Gasket-Float Bowl	216	691840	Link-Choke
			141	792777	Kit-Choke Shaft	217	695409	Spring-Choke
			146	691639	Key-Timing	222	694042	Bracket-Control
			186	794873	Hose-Connector	227	691374	Lever-Governor Control
			186A	796352	Hose-Connector (Oil Drain)	232	691842	Spring-Governor Link
			187	791805	Line-Fuel (Formed)(10-1/4 Inches Long)(Cut to Required Length)	238	691843	Cap-Valve
						240	394358s	Filter-Fuel (White, 75 Microns)
						240A	691035	Filter-Fuel (Includes 40 Micron Paper Element)
						265	691024	Clamp-Casing
						267	794904	Screw (Casing Clamp)
						268	691025	Casing-Control Wire (Cut To Required Length)
						269	691026	Wire-Control (Cut To Required Length)

Illustrations cover a range of engines. Parts shown without corresponding text may not be used on your specific engine.
4022-9 Assemblies include all parts shown in frames.

07/15/2010

331700

REF. NO.	PART NO.	DESCRIPTION	REF. NO.	PART NO.	DESCRIPTION	REF. NO.	PART NO.	DESCRIPTION
270	691027	Nut (Control Wire Casing)	474B	696459	Alternator (Dual Circuit)	718	690959	Pin-Locating
271	691028	Lever-Control	503	691532	Strap-Starter	729	691224	Clip-Wire
276A	695410	Washer-Sealing	505	691251	Nut (Governor Control Lever)	741	697128	Gear-Timing
304C	798670	Housing-Blower (Black)	510	693699	Drive-Starter	750	790832	Screw (Oil Pump Cover)
305	697102	Screw (Blower Housing)	512	796530	Oil Drain	757	793242	Link-Counterweight
305A	793376	Screw (Blower Housing)	513	692024	Clutch-Drive	758	793763	Counterweight (Used After Code Date 05100200).
305B	798670	Screw (Blower Housing to Elbow)	523	699908	Dipstick	----- Note -----		
306	794953	Shield-Cylinder	524	691032	Seal-Dipstick Tube	795938	Counterweight (Used Before Code Date 05100300).	
307	691003	Screw (Cylinder Shield)	525	697184	Tube-Dipstick	----- Note -----		
309	693551	Motor-Starter	697085 Tube-Dipstick Used on Type No(s). 1457.		552	697144	Bushing-Governor Crank	
310	690323	Screw (Starter Motor)	559	697561	Screw (Remote Choke Stop .375 Inches)	559A	693675	Screw (Remote Choke Stop .419 Inches)
311	497608	Brush Set	559A	693675	Screw (Remote Choke Stop .419 Inches)	562	691119	Bolt (Governor Control Lever)
324	796309	Screen-Rotating	579	691029	Nut (Starter Cable)	579	691029	Nut (Starter Cable)
333	795315	Armature-Magneto (Used After Code Date 07100700).	584	794682	Cover-Breather Passage (Use With Liquid Sealant Reference 850)	584	794682	Cover-Breather Passage (Use With Liquid Sealant Reference 850)
		----- Note -----	585	697109	Gasket-Breather	759	697392	Pin-Counterweight
		492341 Armature- Magneto (Used Before Code Date 07100800).	601	791850	Clamp-Hose	773	796448	Retainer
334	691061	Screw (Magneto Armature)	614	691620	Pin-Cotter	783	693713	Gear-Pinion
337	491055s	Plug-Spark	616	692012	Crank-Governor	789	698329	Harness-Wiring
		----- Note -----	617	692138	Seal-O Ring (Intake Manifold)	797	693167	Nut (Brush Retainer)
		491055s Plug-Spark Used on Type No(s). 0115G1.	633	699813	Seal-Choke/Throttle Shaft	801	691283	Cap-Drive
		691043 Plug-Spark Used on Type No(s). 0115B1, 0819.	634B	698779	Spring/Seal Assembly	802	691286	Cap-End
		792015 Plug-Spark Used on Type No(s). 0815.	635	691909	Boot-Spark Plug	830	691095	Stud-Rocker Arm
358	796187	Gasket Set-Engine	654	690958	Nut (Carburetor)	842	691031	Seal-O Ring (Dipstick Tube)
363	19203	Puller-Flywheel	684	697157	Screw (Breather Assembly)	847	790442	Dipstick/Tube Assembly
383	89838s	Wrench-Spark Plug	691	692407	Seal-Governor Shaft	----- Note -----		
387A	808656	Pump-Fuel	697	791680	Screw (Drive Cap)	790443	Dipstick/Tube Assembly Used on Type No(s). 1457.	
404	691691	Washer (Governor Crank)				850	100106	Sealant-Liquid (Used After Code Date 07071800).
415	690283	Plug						
415A	794129	Plug (Cover/Retainer)						
431	794145	Elbow-Intake						
445	793569	Filter-Air Cleaner Cartridge						
462	691261	Washer (Starter Cable)						

Illustrations cover a range of engines. Parts shown without corresponding text may not be used on your specific engine.
4022-10 Assemblies include all parts shown in frames. 07/15/2010

REF. NO.	PART NO.	DESCRIPTION	REF. NO.	PART NO.	DESCRIPTION	REF. NO.	PART NO.	DESCRIPTION
851	692424	Terminal-Spark Plug	1023	797421	Cover-Rocker	1051	691265	Ring-Retaining
868	690968	Seal-Valve	1024A	794644	Pump-Oil	1058	277675	Operator's Manual
877	393456	Wire/Connector-Alternator (Dual Circuit)	1026	692003	Rod-Push (Intake)	1059	698516	Kit-Screw/Washer
877D	790544	Wire/Connector-Alternator			----- Note -----	1070A	690363	Screw (Flywheel Fan)
878	398661	Harness-Alternator (Dual Circuit)	1027	696854	692011 Rod-Push (Exhaust)	1090	691293	Retainer-Brush
914	697551	Screw (Rocker Cover)			Filter-Oil (Premium) (Yellow)	1091	691333	Cap-Limiter
943	690589	Seal-O Ring (Oil Pump Cover)			----- Note -----	1095	794152	Gasket Set-Valve
947	699915	Solenoid-Fuel	1029	691751	492932S Filter-Oil (Standard) (Black)	1119	691183	Screw (Alternator)
965	499613	Cover-Oil Pump	1032	491710	Arm-Rocker	1127	695407	Screw (Float Bowl)
967A	793685	Filter-Pre Cleaner			Ball-Oil Pump (Used Before Code Date 04062800).	1139	796449	Washer
968A	795757	Cover-Air Cleaner (Black)	1034	690822	Guide-Push Rod	1263	697124	Reed-Breather
975A	699502	Bowl-Float	1035	693784	Shaft-Pump	1264	697104	Screw (Breather Reed)
987	698777	Seal-Throttle Shaft	1036		Label-Emissions (Available From A Briggs & Stratton Authorized Dealer)	1265	794151	Support-Blower Housing
1005	796084	Fan-Flywheel	1040	698368	Plate-Trim	1266	691917	Seal-O Ring (Intake Elbow)
1017	690770	Screen-Oil Pump	1044	698139	Screw (Flywheel)	1270	793243	Plug-AVS Counterweight
1022	272475S	Gasket-Rocker Cover (Used Before Code Date 07091000). (After Date Code Use Liquid Sealant Reference 850)				1279	697551	Screw (Blower Housing Support)
						1319	794467	Label-Warning

Illustrations cover a range of engines. Parts shown without corresponding text may not be used on your specific engine.
4022-11 Assemblies include all parts shown in frames. 07/15/2010

Not for
Reproduction

