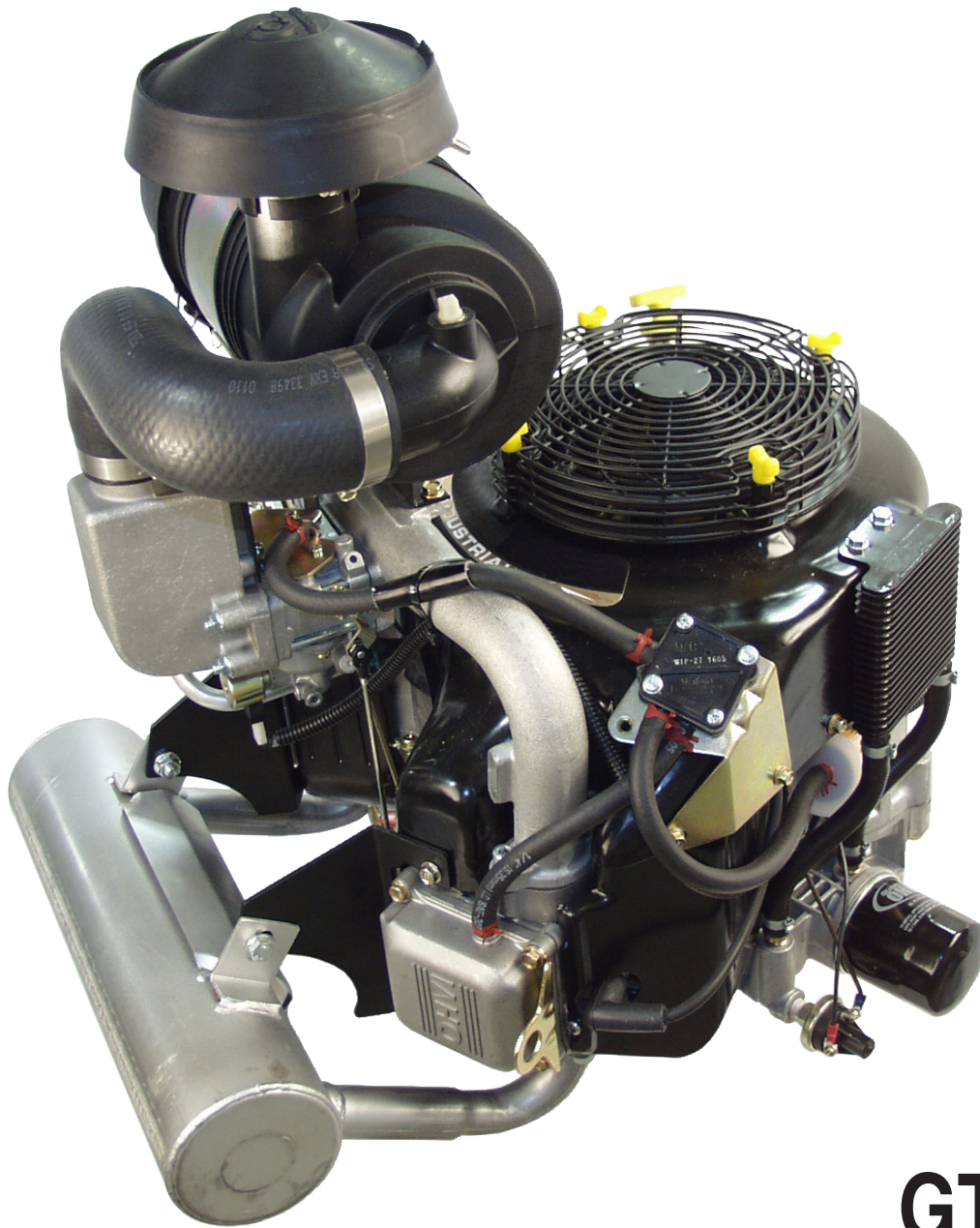


GENERAC[®]

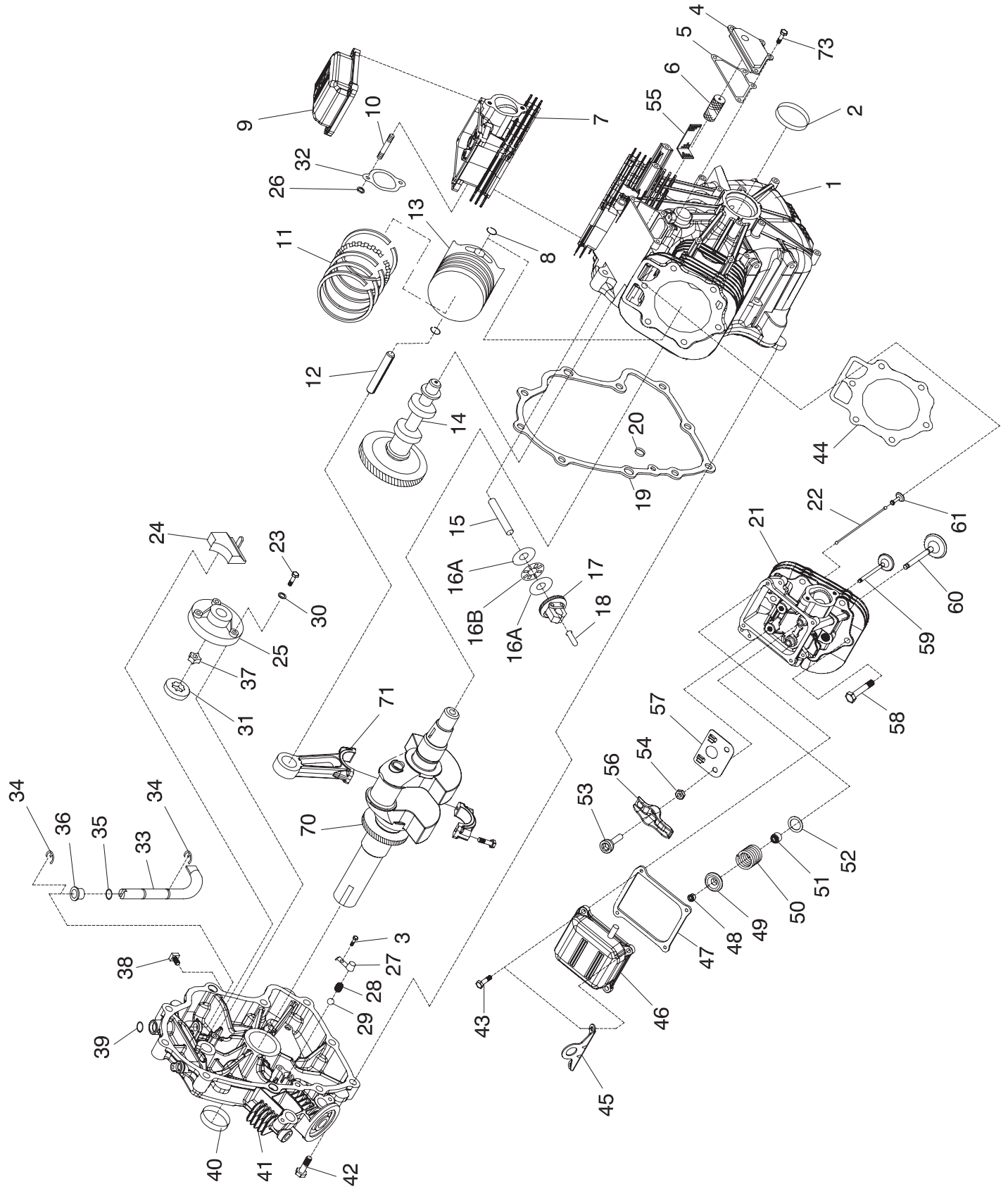
POWER SYSTEMS, INC.

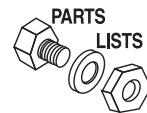


GTV990

Engine Parts Manual

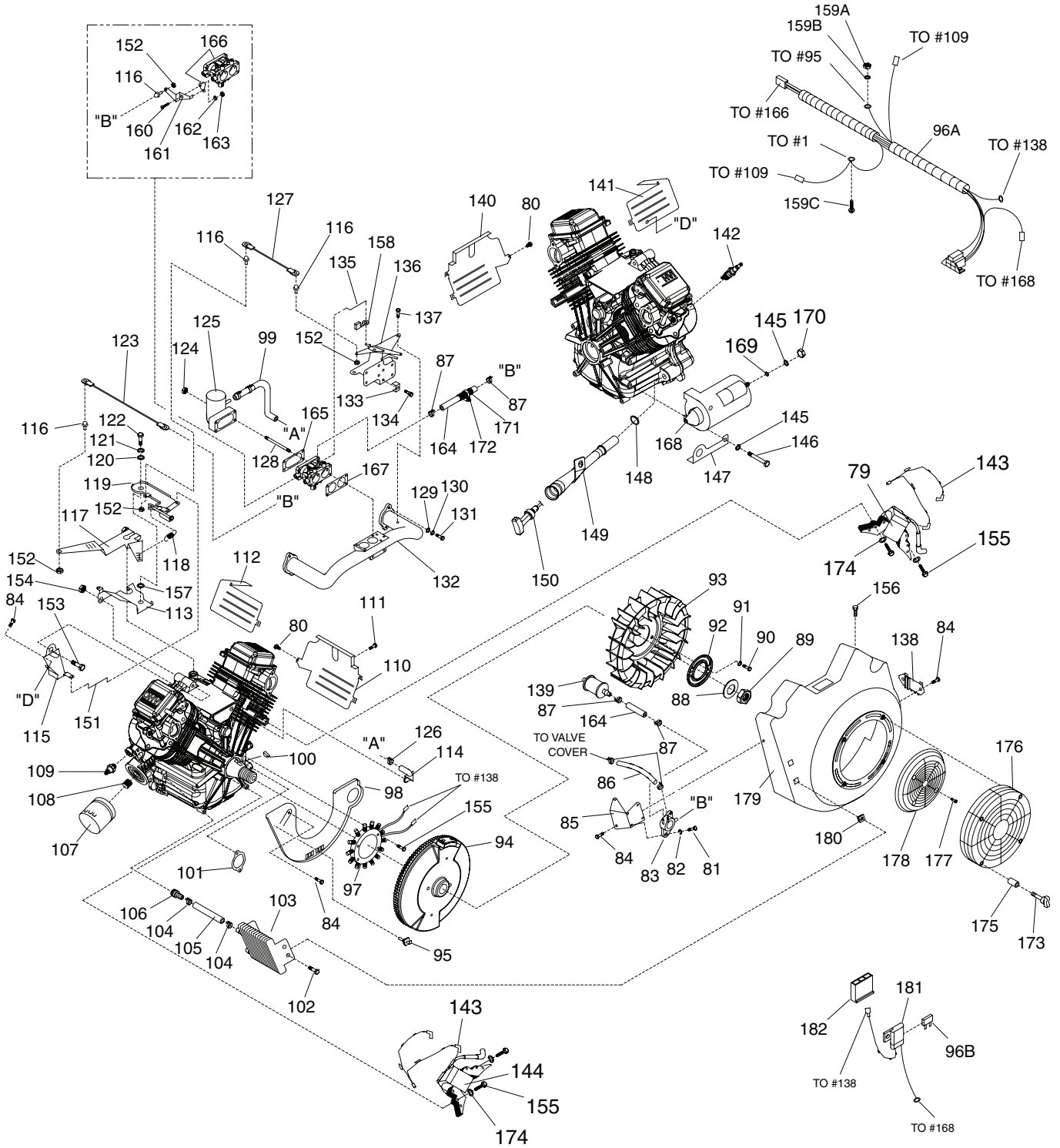
Model: 005009-0

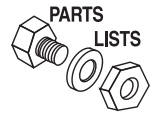




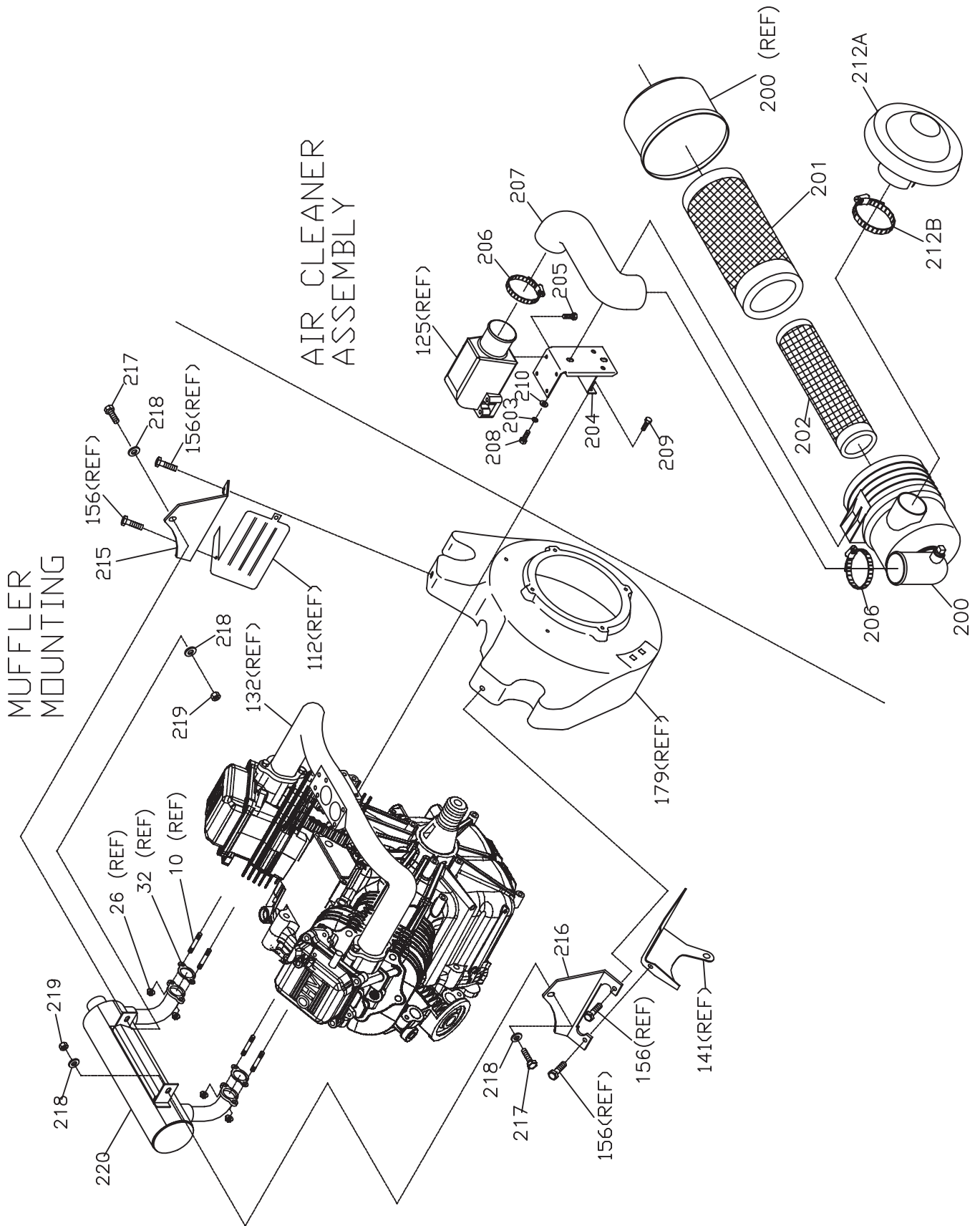
| ITEM | PART NO. | QTY. | DESCRIPTION | ITEM | PART NO. | QTY. | DESCRIPTION |
|------|------------|------|--------------------------------|------|------------|------|--|
| 1 | 0C5730B | 1 | ASSY,CRANKCASE VS W/SLEEVE | 38 | 0D4788 | 1 | PLUG, DRAIN |
| 2 | 0E9843 | 1 | SEAL, 38 I.D. CRANKSHAFT | 39 | 0C2993 | 1 | SEAL, GOVERNOR SHAFT |
| 3 | 090388 | 2 | SCREW, HHTT M6-1.0 X 12 YC | 40 | 0E9842 | 1 | SEAL, 42 I.D. CRANKSHAFT |
| 4 | 0C5372 | 1 | ASSEMBLY, BREATHER | 41 | 0C57320SRV | 1 | ASSEMBLY, SUMP WITH SLEEVE |
| 5 | 0C3005 | 1 | GASKET, BREATHER COVER | 42 | 0C3006 | 9 | SCREW, HHFC M10-1.5 X 55 |
| 6 | 0E3372A | 1 | SEPARATOR, OIL BREATHER GTV | 43 | 080318 | 8 | SCREW HHFC M6-1.0 X 25 |
| 7 | 0D8067A | 1 | ASSEMBLY, HEAD #1 | 44 | 0C2978 | 2 | GASKET, HEAD |
| 8 | 071983 | 4 | RETAINER, PISTON PIN 20 | 45 | 0C8808 | 1 | HOOK, LIFTING |
| 9 | 0C2981C | 1 | ROCKER, COVER NO OIL FILL | 46 | 0D7477A | 1 | ASSEMBLY, ROCKER COVER W/ BARB FOR PULSE |
| 10 | 045761A | 4 | STUD M8-1.25/10MM X 30 G5 ZINC | 47 | 0C2979 | 2 | GASKET, VALVE COVER |
| 11 | 0215330SRV | 2 | SET, PISTON RING 90MM | 48 | 086515 | 4 | KEEPER, VALVE SPRING (SET OF 2) |
| 12 | 0E1466 | 2 | PIN, PISTON 20 DIA X 48 L | 49 | 0D2274 | 4 | RETAINER, VALVE SPRING |
| 13 | 0E2950 | 2 | PISTON, DISH TOP DIA 90 | 50 | 0D3867 | 4 | SPRING, VALVE |
| 14 | 0D4041 | 1 | ASSEMBLY, CAMSHAFT & GEAR | 51 | 078672 | 2 | SEAL, VALVE STEM D7 |
| 15 | 0C2983 | 1 | SHAFT, GOVERNOR | 52 | 0C5371 | 4 | WASHER, VALVE SPRING |
| 16A | 0C2985A | 2 | ROLLER BEARING, GOVERNOR PLATE | 53 | 072694 | 4 | STUD, ROCKER ARM PIVOT |
| 16B | 0C2985B | 1 | ROLLER BEARING, GOVERNOR | 54 | 0D3998 | 4 | NUT, HEX M8-1.0 G8 YEL CHR |
| 17 | 0E2743 | 1 | ASSEMBLY,GOVERNOR GEAR | 55 | 0E3273 | 1 | SCREEN C'CASE BREATHER GTV |
| 18 | 0A7811 | 1 | SPOOL, GOVERNOR MACHINED | 56 | 0D5313 | 4 | ROCKER ARM |
| 19 | 0C2977 | 1 | GASKET, CRANK CASE | 57 | 0D6024 | 2 | PLATE, PUSH ROD GUIDE |
| 20 | 0C5943 | 1 | SEAL, OIL PASSAGE | 58 | 0C2976 | 12 | SCREW HHFC M8-1.25 X 65 |
| 21 | 0D8067B | 1 | ASSEMBLY, HEAD #2 | 59 | 086516 | 2 | VALVE, EXHAUST |
| 22 | 0D9853D | 4 | PUSHROD, 147 | 60 | 0C2229 | 2 | VALVE, INTAKE |
| 23 | 021374 | 3 | SCREW SHC M6-1.0 X 30 G8.8 | 61 | 083897 | 4 | TAPPET, SOLID |
| 24 | 0C2994 | 1 | SCREEN, OIL PICKUP | *62 | 0D40150SRV | 1 | KIT, OIL RELIEF |
| 25 | 0C2997 | 1 | COVER, GEROTOR | *63 | 0D94190SRV | 1 | KIT, SUMP |
| 26 | 0F0462 | 4 | NUT W/TOOTH WSHR M8-1.25 | *64 | 0E9422AESV | 1 | KIT, GASKET |
| 27 | 0C3011 | 2 | COVER, OIL RELIEF | *65 | 0E29500SRV | 1 | KIT, PISTON & RINGS |
| 28 | 0C3009 | 2 | SPRING, OIL RELIEF | *66 | 0E43550SRV | 1 | KIT, BREATHER ASSY GTV |
| 29 | 0C3010 | 2 | BALL, 1/2D OIL RELIEF | *67 | 0E27430SRV | 1 | KIT, GOVERNOR ASSEMBLY |
| 30 | 093873 | 3 | WASHER, LOCK RIB M6 | *68 | 0D8675ASRV | 1 | KIT, HEAD ASSEMBLY CYLINDER 1 |
| 31 | 0C2996 | 1 | GEROTOR, OUTER | *69 | 0D8675BSRV | 1 | KIT, HEAD ASSEMBLY CYLINDER 2 |
| 32 | 0C4138 | 2 | GASKET, EXHAUST | 70 | 0E4357J | 1 | ASSY C'SHAFT & GEAR 100MM |
| 33 | 0D1667 | 1 | ARM, GOVERNOR | 71 | 0E3223 | 2 | CONNECTING ROD |
| 34 | 0C2991 | 2 | E-RING, GOVERNOR ARM | 73 | 0D6147 | 4 | SCREW, HHFC M6-1.0 X 10mm |
| 35 | 0C2988 | 1 | THRUST WASHER, GOVERNOR | | | | |
| 36 | 0C2992 | 1 | BUSHING, GOVERNOR LOWER | | | | |
| 37 | 0C2995 | 1 | GEROTOR, INNER | | | | |

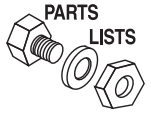
* See Back Cover for Itemized Kits.





| ITEM | PART NO. | QTY. | DESCRIPTION | ITEM | PART NO. | QTY. | DESCRIPTION |
|------|----------|------|--------------------------------------|------|----------|------|---------------------------------------|
| 79 | 0E7743 | 1 | ASSY, IGNITION COIL 270mm CYLINDER 1 | 132 | 0E3052 | 1 | MANIFOLD,INTAKE VERT 2BBL CARB |
| 80 | 0D6147 | 2 | SCREW, HHFC M6-1.0 X 10mm | 133 | 0E4190 | 4 | CLAMP, 3/16" COATED CABLE |
| 81 | 047411 | 2 | SCREW, HHC M6-1.0 X 16 | 134 | 0F5579 | 4 | SCREW, HHC W/SHLDR M5-0.8 X 20 |
| 82 | 022097 | 2 | WASHER, LOCK M6 | 135 | 0D8559 | 1 | ROD, CHOKE |
| 83 | 0F6263 | 1 | PUMP, IMPULSE | 136 | 0D7237 | 1 | ASSY, BELDEN BRACKET W/ BELLCRANK |
| 84 | 045756 | 21 | SCREW, HHTT M6-1.0X 10 YC | 137 | 0E5139 | 3 | SCREW HHFC M6-1.0 X 8mm |
| 85 | 0D6027 | 1 | BRACKET, FUEL PUMP | 138 | 0A2702 | 1 | REGULATOR, 20 AMP |
| 86 | 030340P | 1 | HOSE 1/4" ID X 7" LONG | 139 | 0F0106 | 1 | FILTER, FUEL |
| 87 | 048031C | 6 | CLAMP HOSE BAND 1/4 | 140 | 0D1142A | 1 | WRAPPER, LOWER CYLINDER 2 |
| 88 | 0C3033 | 1 | WASHER, M24 | 141 | 0D1143 | 1 | WRAPPER, UPPER CYLINDER 2 |
| 89 | 0C3034 | 1 | NUT,HEX M24 | 142 | 0E6037 | 2 | SPARKPLUG NGK #BKR4E |
| 90 | 048571 | 2 | SCREW, HHC M8-1.25 X 10 G8.8 | 143 | 0F1177 | 1 | ASSEMBLY, GROUND WIRE |
| 91 | 0A5992 | 2 | WASHER, SHAKEPROOF INT M8 SS | 144 | 0C3052 | 1 | ASSY, IGNITION COIL GV-990 CYLINDER 2 |
| 92 | 0C3032 | 1 | PLATE, FAN | 145 | 022129 | 3 | WASHER, LOCK M8-5/16 |
| 93 | 0C3031 | 1 | FAN, NYLON | 146 | 061906 | 2 | SCREW, HHC M8-1.25 X 85 G8.8 |
| 94 | 0C9182 | 1 | FLYWHEEL ASSEMBLY W/ L.C. MAGNETS | 147 | 0D6026 | 1 | LIFT HOOK, STARTER |
| 95 | 0E4997 | 1 | CONNECTOR, GROUND WIRE | 148 | 090072 | 1 | O-RING, OIL CLR |
| 96A | 0F0911 | 1 | VS WIRE HARNESS | 149 | 0D6655 | 1 | TUBE, DIPSTICK |
| 96B | 0E7237 | 1 | 30 AMP FUSE | 150 | 0C8434C | 1 | ASSEMBLY, DIPSTICK W/ HANDLE |
| 97 | 0F1153B | 1 | STATOR, OUTLINE W/ LUGS 14.25" | 151 | 0D9863 | 1 | ROD, IDLE ADJUSTMENT |
| 98 | 0C3016C | 1 | PLATE, BACKING GT990 WITH OIL COOL | 152 | 0D9784 | 4 | NUT, LOCK HEX M3-0.5 |
| 99 | 0E4845 | 1 | ASSEMBLY,BREATHER TUBE GTV | 153 | 0E0486 | 1 | SCREW, SHC M10-1.5 X 75 G10.9 |
| 100 | 082774 | 1 | KEY, WOODRUFF 4 X 19D | 154 | 0E5343 | 1 | NUT, LOCK FL-SERRATED M10-1.5 |
| 101 | 0C3043 | 2 | GASKET, MANIFOLD / PORT | 155 | 092079 | 8 | SCREW, TAPTITE M6-1.0 X 25 |
| 102 | 0C9764 | 4 | PLASTITE,1/4-15 X 3/4 | 156 | 0C8566 | 4 | SCREW, HHC M6-1.0 X 20 |
| 103 | 0C3026 | 1 | COOLER, OIL | 157 | 0E5113 | 1 | WASHER NYLON 0.375" I.D. |
| 104 | 0F6301 | 4 | CLAMP, HOSE OETIKER 16.5mm | 158 | 0D1366 | 1 | BUSHING, GOVERNOR ROD |
| 105 | 0C9806 | 2 | HOSE, 3/8" I.D. X 6" LONG | 159A | 022471 | 1 | NUT HEX #8-32 |
| 106 | 035461 | 2 | BARBED STR 1/4NPT X 3/8 | 159B | 022264 | 1 | WASHER LOCK #8-M4 |
| 107 | 070185B | 1 | FILTER, OIL BLACK 75mm LONG | 159C | 0F2094 | 1 | SCREW PPHM M3-0.5 X 8 SEMS |
| 108 | 0C7292 | 1 | NIPPLE, 3/4"-16 UNF | 160 | 036933 | 1 | SCREW, PPHM #10-32 X 3/8" |
| 109 | 0F0830 | 1 | SWITCH, OIL PRESSURE | 161 | 0D6311 | 1 | BRACKET, THROTTLE |
| 110 | 0C3019 | 1 | WRAPPER, LOWER CYLINDER 1 | 162 | 022152 | 1 | WASHER, LOCK #10 |
| 111 | 0E5153 | 2 | SCREW THTT #10-24 X 3/8" | 163 | 022158 | 1 | NUT, HEX #10-32 |
| 112 | 0C3018 | 1 | WRAPPER, UPPER CYLINDER 1 | 164 | 030340R | 2 | HOSE 1/4" ID X 10" LONG |
| 113 | 0D3868 | 1 | BRACKET, SUPPORT-GOVERNOR ADJUST | 165 | 0D4026 | 1 | GASKET,ARBX TO SPCR/CARB |
| 114 | 0E4804 | 1 | HOSE, BLOWER HSG TO BREATHER | 166 | 0E8951 | 1 | CARBURETOR DENI GTV990 |
| 115 | 0E0553 | 1 | ASSY, IDLE SPEED SUPPORT BRACKET | 167 | 0D4023 | 1 | GASKET,MANIFOLD TO CARB |
| 116 | 0D6342 | 4 | STUD, BALL M3-0.5 | 168 | 0E4271 | 1 | STARTER, DELCO REMY SD80 |
| 117 | 0E0552 | 1 | ASSY, GOVERNOR LEVER | 169 | 022145 | 1 | WASHER, FLAT M8 |
| 118 | 0E1150 | 1 | SPRING, GOVERNOR | 170 | 0F5467 | 1 | NUT, HEX M8-1.25 YELLOW ZINC |
| 119 | 0D9884 | 1 | ASSY, IDLE SPEED ADJUST W/ GROMMET | 171 | 086061G | 1 | SLEEVING, 1/2" ID X 2" LG |
| 120 | 0D3876 | 1 | WASHER, FLAT M5 | 172 | 029333A | 1 | TIE WRAP, UL 7.4" X .19" BLK |
| 121 | 049226 | 1 | WASHER, LOCK M5 | 173 | 0C5136 | 4 | KNOB, AIR CLEANER |
| 122 | 045770 | 1 | SCREW, HHC M5-0.8 X 10 | 174 | 022097 | 4 | WASHER, LOCK M6-1/4" |
| 123 | 0D6257 | 1 | ROD, GOVERNOR | 175 | 0E3146 | 4 | SPACER, ROTATING SCREEN GUARD |
| 124 | 052857 | 4 | NUT LOCK FLANGE M6-1.0 | 176 | 0D7815A | 1 | GUARD, ROTATING SCREEN |
| 125 | 0D3959A | 1 | ADAPTOR,CARB-AIRBOX,M6 BOSSES | 177 | 0D7115 | 4 | SCREW, #10 SHEET METAL |
| 126 | 048031N | 1 | HOSE CLAMP, BAND 12mm I.D. | 178 | 0D9684A | 1 | SCREEN, ROTATING |
| 127 | 0D9999 | 1 | ASSY, IDLE SPEED ADJUSTMENT ROD | 179 | 0E4046E | 1 | HOUSING, BLOWER VERTICAL L&G |
| 128 | 0D6021 | 4 | STUD, METRIC | 180 | 0C9763 | 4 | NUT, GROMMET 1/4 PLUG |
| 129 | 070008 | 4 | WASHER, FLAT M8 | 181 | 0F1155A | 1 | ASSY, FUSE WIRE W/ RING LUG |
| 130 | 070006 | 4 | WASHER, LOCK M8 | 182 | 0F1150 | 1 | HOUSING CONN PACKARD 56 SERIES |
| 131 | 049821 | 4 | SCREW, SHC M8-1.25 X 30 | | | | |





| ITEM | PART NO. | QTY. | DESCRIPTION | ITEM | PART NO. | QTY. | DESCRIPTION |
|-----------------------------|----------|------|---------------------------------|-------------------------|----------|------|-----------------------------|
| AIR CLEANER ASSEMBLY | | | | MUFFLER MOUNTING | | | |
| 200 | 0F7642 | 1 | CLEANER, AIR WITH MOUNTING BASE | 215 | 0E3502A | 1 | SUPPORT, MUFFLER RH |
| 201 | 0E3557 | 1 | FILTER, AIR PRIMARY | 216 | 0E3502B | 1 | SUPPORT, MUFFLER LH |
| 202 | 0E3656 | 1 | FILTER, AIR SAFETY | 217 | 039253 | 2 | SCREW HHC M8-1.25 X 20 G8.8 |
| 203 | 022129 | 2 | WASHER LOCK M8-5/16 | 218 | 022145 | 4 | WASHER FLAT 5/16-M8 ZINC |
| 204 | 0E2990 | 1 | BRKT, AIR CLEANER SUPPORT GTV | 219 | 067989 | 2 | NUT, HEX FL WHIZ M8-1.25 |
| 205 | 0E1644 | 4 | SCREW BHSC M6-1.0 X 12 SS | 220 | 0F0880 | 1 | MUFFLER, RH |
| 206 | 0E1680 | 2 | CLAMP HOSE #32 1.563-2.500 | | | | |
| 207 | 0E4326 | 1 | HOSE AIR CLEANER GTV | | | | |
| 208 | 042907 | 2 | SCREW HHC M8-1.25 X 16 G8.8 | | | | |
| 209 | 0D6147 | 2 | SCREW HHFC M6-1.0 X 10 G8.8 | | | | |
| 210 | 022145 | 2 | WASHER FLAT 5/16-M8 ZINC | | | | |
| 212A | 0E0136A | 1 | HOOD, INLET | | | | |
| 212B | 0E0136B | 1 | CLAMP, HOSE | | | | |

◆ **CARBURETOR OVERHAUL KIT — P/N TBD**

| PART NO. | QTY. | DESCRIPTION |
|----------|------|---------------------------------|
| — | 1 | GASKET, MANIFOLD TO CARB GTH990 |
| — | 1 | GASKET, ARBX TO SPCR/CARB H990 |
| — | 1 | "O"RING, FLOAT BOWL DRAIN |
| — | 1 | ASSY, NEEDLE VALVE |
| — | 1 | SPRING, NEEDLE |
| — | 1 | PIN, NEEDLE |
| — | 1 | "O"RING, FLOAT BOWL |
| — | 1 | GASKET, FLOAT BOWL |
| — | 1 | CARB BOWL FLOAT |

◆ **CARBURETOR BOWL GASKET KIT — P/N TBD**

| PART NO. | QTY. | DESCRIPTION |
|----------|------|---------------------------|
| — | 1 | "O"RING, FLOAT BOWL DRAIN |
| — | 1 | "O"RING, FLOAT BOWL |
| — | 1 | GASKET, FLOAT BOWL |

◆ **SOLENOID, FUEL SHUT OFF — 0F1932**



◆ OIL RELIEF KIT — 0D40150SRV

| PART NO. | QTY. | DESCRIPTION |
|----------|------|-----------------------|
| 0C3009 | 2 | SPRING, OIL RELIEF |
| 0C3010 | 2 | BALL, 1/2D OIL RELIEF |
| 0C3011 | 2 | COVER, OIL RELIEF |

◆ SUMP KIT ASSEMBLY — 0D94190SRV

| PART NO. | QTY. | DESCRIPTION |
|----------|------|------------------------------|
| 0C2988 | 1 | THRUST WASHER |
| 0C2991 | 2 | E-RING, GOVERNOR ARM |
| 0C2992 | 1 | BUSHING, GOVERNOR LOWER |
| 0C3009 | 2 | SPRING, OIL RELIEF |
| 0C3010 | 2 | BALL, 1/2D OIL RELIEF |
| 0C3011 | 2 | COVER, OIL RELIEF |
| 0D1667 | 1 | ARM, GOVERNOR |
| 0E9842 | 1 | SEAL CRANKSHAFT PTO SIDE |
| 090388 | 2 | SCREW, HHTT M6-1.0 X 12 ZINC |

◆ GASKET KIT — 0E9422AESV

| PART NO. | QTY. | DESCRIPTION |
|----------|------|-------------------------------|
| 0C2977 | 1 | GASKET, C'CASE |
| 0C2978 | 2 | GASKET, CYLINDER HEAD |
| 0C2979 | 2 | GASKET, VALVE COVER |
| 0C2993 | 1 | SEAL, GOVERNOR SHAFT |
| 0C3005 | 1 | GASKET, BREATHER COVER |
| 0C3043 | 2 | GASKET, INTAKE PORT |
| 0C4138 | 2 | GASKET, EXHAUST PORT |
| 0C5943 | 1 | SEAL, OIL PASSAGE |
| 0D4026 | 1 | GASKET, CARB TO SPACER |
| 0D4023 | 1 | GASKET, MANIFOLD TO CARB |
| 0E9842 | 1 | SEAL CRANKSHAFT PTO SIDE |
| 0E9843 | 1 | SEAL CRANKSHAFT FLYWHEEL SIDE |
| 090072 | 1 | O-RING 9/16 X 3/4 X 3/32 |

◆ BREATHER ASSEMBLY KIT — 0E43550SRV

| PART NO. | QTY. | DESCRIPTION |
|----------|------|-------------------------|
| 0C3005 | 1 | GASKET, BREATHER COVER |
| 0C5372 | 1 | ASSY, BREATHER |
| 0E3273 | 1 | SCREEN, C'CASE BREATHER |
| 0E3372A | 1 | SEPARATOR, OIL BREATHER |

◆ GOVERNOR KIT ASSEMBLY — 0E27430SRV

| PART NO. | QTY. | DESCRIPTION |
|----------|------|------------------------------|
| 0A7811 | 1 | SPOOL, GOVERNOR MACHINED |
| 0C2985A | 2 | BEARING ROLLER GOV TOP |
| 0C2985B | 1 | BEARING ROLLER GOV W/ROLLERS |
| 0E2743 | 1 | ASSY, GOV GEAR-LIGHT FLYWGT |

◆ HEAD ASSEMBLY KIT - CYL #1 — 0D8675ASRV

| PART NO. | QTY. | DESCRIPTION |
|----------|------|-------------------------------------|
| 0C2229 | 1 | VALVE, INTAKE |
| 0C2976 | 6 | SCREW, HHFC M8-1.25 X 65 |
| 0C2978 | 1 | GASKET, CYLINDER HEAD |
| 0C2979 | 1 | GASKET, VALVE COVER |
| 0C3043 | 2 | GASKET, INTAKE PORT |
| 0C4138 | 2 | GASKET, EXHAUST PORT |
| 0C5371 | 2 | WASHER, VALVE SPRING |
| 0D2274 | 2 | RETAINER, VALVE SPRING |
| 0D3867 | 2 | SPRING, VALVE |
| 0D3998 | 2 | NUT, HEX M8-1.0 G8 YEL CHR |
| 0D5313 | 2 | ROCKER ARM |
| 0D6024 | 1 | PLATE, PUSH ROD GUIDE |
| 0D8067A | 1 | ASSY, CYL HEAD GUIDES & SEATS CYL 1 |
| 0D9853D | 2 | PUSHROD 147 LENGTH |
| 072694 | 1 | STUD, ROCKER ARM PIVOT |
| 078672 | 1 | SEAL, VALVE STEM D7 |
| 086515 | 2 | KEEPER, VALVE SPRING (SET OF 2) |
| 086516 | 1 | VALVE, EXHAUST |

◆ HEAD ASSEMBLY KIT - CYL #2 — 0D8675BSRV

| PART NO. | QTY. | DESCRIPTION |
|----------|------|-------------------------------------|
| 0C2229 | 1 | VALVE, INTAKE |
| 0C2976 | 6 | SCREW, HHFC M8-1.25 X 65 |
| 0C2978 | 1 | GASKET, CYLINDER HEAD |
| 0C2979 | 1 | GASKET, VALVE COVER |
| 0C3043 | 2 | GASKET, INTAKE PORT |
| 0C4138 | 2 | GASKET, EXHAUST PORT |
| 0C5371 | 2 | WASHER, VALVE SPRING |
| 0D2274 | 2 | RETAINER, VALVE SPRING |
| 0D3867 | 2 | SPRING, VALVE |
| 0D3998 | 2 | NUT, HEX M8-1.0 G8 YEL CHR |
| 0D5313 | 2 | ROCKER ARM |
| 0D6024 | 1 | PLATE, PUSH ROD GUIDE |
| 0D8067B | 1 | ASSY, CYL HEAD GUIDES & SEATS CYL 2 |
| 0D9853D | 2 | PUSHROD 147 LENGTH |
| 072694 | 1 | STUD, ROCKER ARM PIVOT |
| 086515 | 2 | KEEPER, VALVE SPRING (SET OF 2) |
| 086516 | 1 | VALVE, EXHAUST |

◆ PISTON KIT — 0E29500SRV

| PART NO. | QTY. | DESCRIPTION |
|----------|------|----------------------------------|
| 0E1466 | 2 | PIN, PISTON 20 DIA X 48 |
| 0E2950 | 2 | PISTON, 8.5:1 90MM DIA LOW COMPR |
| 021533A | 2 | RING, PISTON TOP 90MM |
| 021533B | 2 | RING, PISTON 2ND 90MM |
| 021533C | 4 | RING, OIL RAIL 90MM |
| 021533D | 2 | RING, OIL SPACER 90MM |
| 071983 | 4 | RETAINER, PISTON PIN 20 |