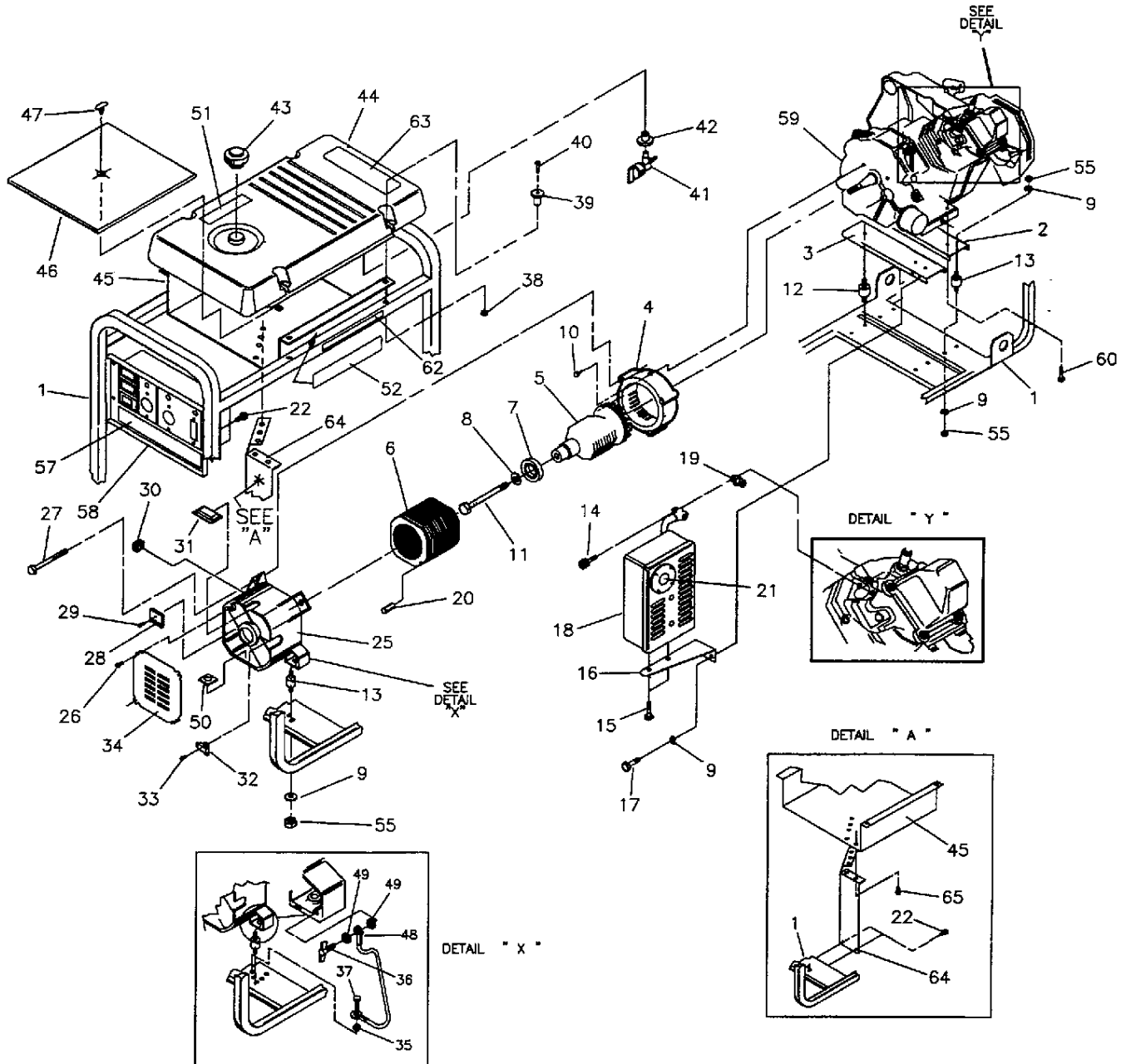


EXPLODED VIEW — GENERATOR



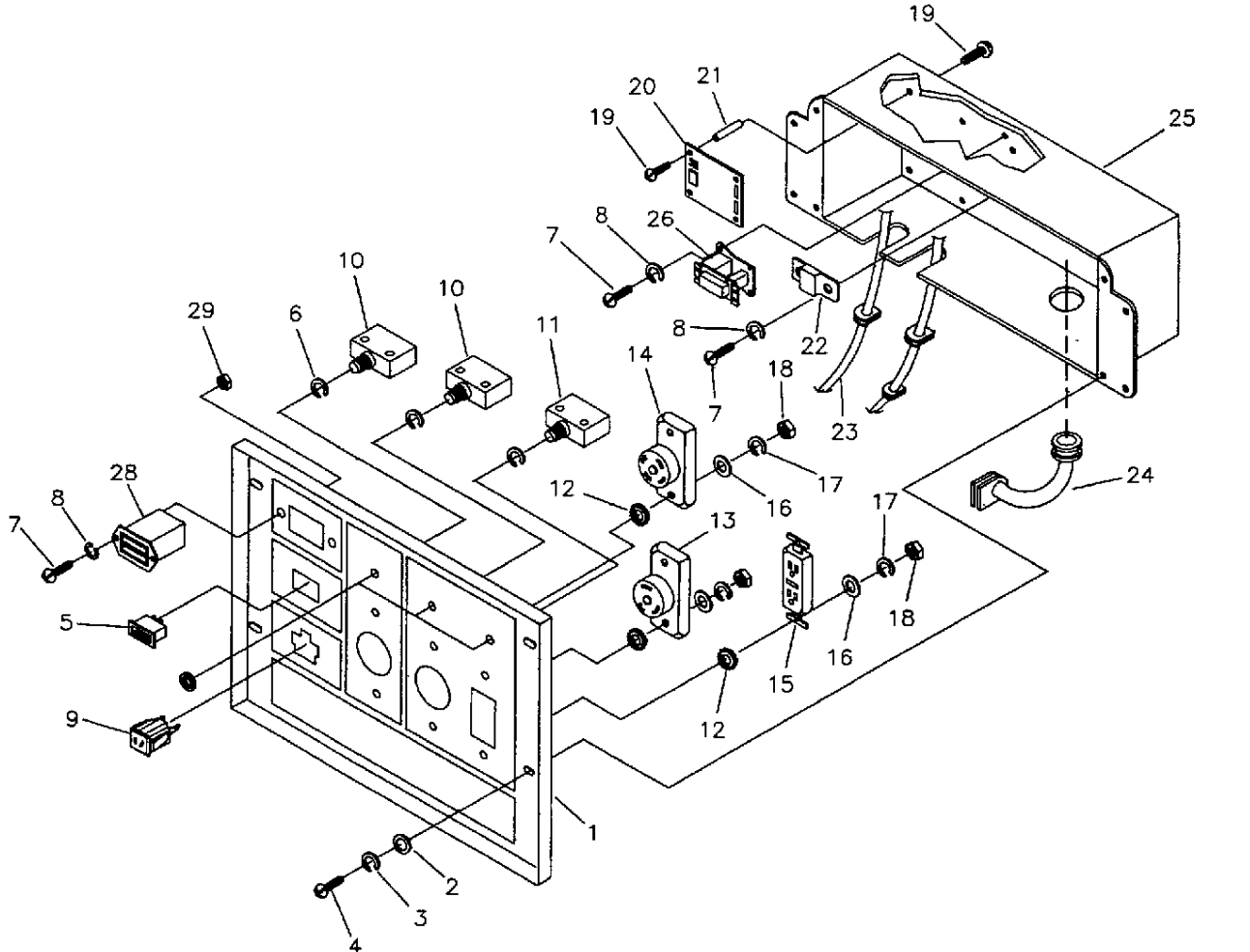
EXPLODED VIEW — GENERATOR

ITEM	DESCRIPTION	PART NO.	QTY.	ITEM	DESCRIPTION	PART NO.	QTY.
1	CRADLE	92432	1	33	TAPTITE, M5-0.8 x 16	66849	2
2	SUPPORT, Engine	92531	1	34	COVER, Bearing Carrier	67025	1
3	SUPPORT, Engine & Muffler	92731	1	35	WASHER, #10 Int. Shakeproof	22769	1
4	HOUSING, Engine Adapter	92247	1	36	SCREW, M6-1.0 x 16 Wing	86494	1
5	ASSEMBLY, Rotor	92679G	1	37	SCREW, #10 Self Drilling	86292	1
6	ASSEMBLY, Stator	92681G	1	38	NUT, M6 Flange Lock	77395	4
7	BEARING	65791	1	39	GROMMET, Tank	83465	4
8	WASHER, M8 Flat	67451	1	40	HHMS, M6-1.0 x 60 (blk)	78831B	4
9	WASHER, M8 Lock	22129	14	41	VALVE, Tank	80270	1
10	SCREW, 5/16-24 x 3/4 Mach.	86307	4	42	BUSHING, Plastic Tank	78299	1
11	SCREW, 5/16-24 x 9-7/8"	25254	1	43	CAP, Fuel	94834	1
12	MOUNT, Vibration	92609	2	44	TANK, Fuel	93595	1
13	MOUNT, Vibration	82857	4	45	SHIELD, Heat	92039	1
14	SCREW, M8 - 1.25 x 20	40976	2	46	INSULATION, #2-1/4"	92665	1
15	CAPSCREW, M6 - 1.0 x 12mm	66476	2	47	CLIP, Insulation	85000	1
16	BRACKET, Muffler	92532	1	48	WIRE, Ground	143-53621	1
17	SCREW, 5/16 - 18 x 3/4"	22142	2	49	WASHER, M6 Shakeproof	26850	2
18	MUFFLER	91153	1	50	MOUNT, Cable Tie	57593	1
19	GASKET, Muffler	90239	1	51	DECAL, Danger	92982	1
20	PIN, 4mm x 10 Roll	81917	1	52	DECAL, Heat Shield	B1223	2
21	SCREEN, Spark Arrest	83083	1	55	NUT, 5/16-18 Hex	25244	12
22	SCREW, #12 Self Drilling	B2153	6	57	DECAL, Control Panel	B1224	1
25	CARRIER, Rear Bearing	66825C	1	58	ASSEMBLY, Control Box	92631	1
26	TAPTITE, M5-0.8 x 10	74908	4	59	ENGINE, 13 HP, EHF 00958-0	NSP	1
27	BOLT, M6-1 x 165mm Stator	86308B	4	60	HHCS, 5/16-18 x 1-3/4	22531	2
28	RECTIFIER, Battery Charge	65795	1	62	DECAL, Cradle	93221	1
29	TAPTITE, M5-0.8 x 20	66849A	1	63	DECAL, Start Instructions	93826	1
30	GROMMET, Rubber	67022	1	64	SHIELD, Heat	96068	1
31	ASSEMBLY, Power Regulator	84132	1	65	CRIMPTITE, 10-24 x 1/2	56893	5
32	ASSEMBLY, Brush Holder	66386	1				

Accessories not pictured:

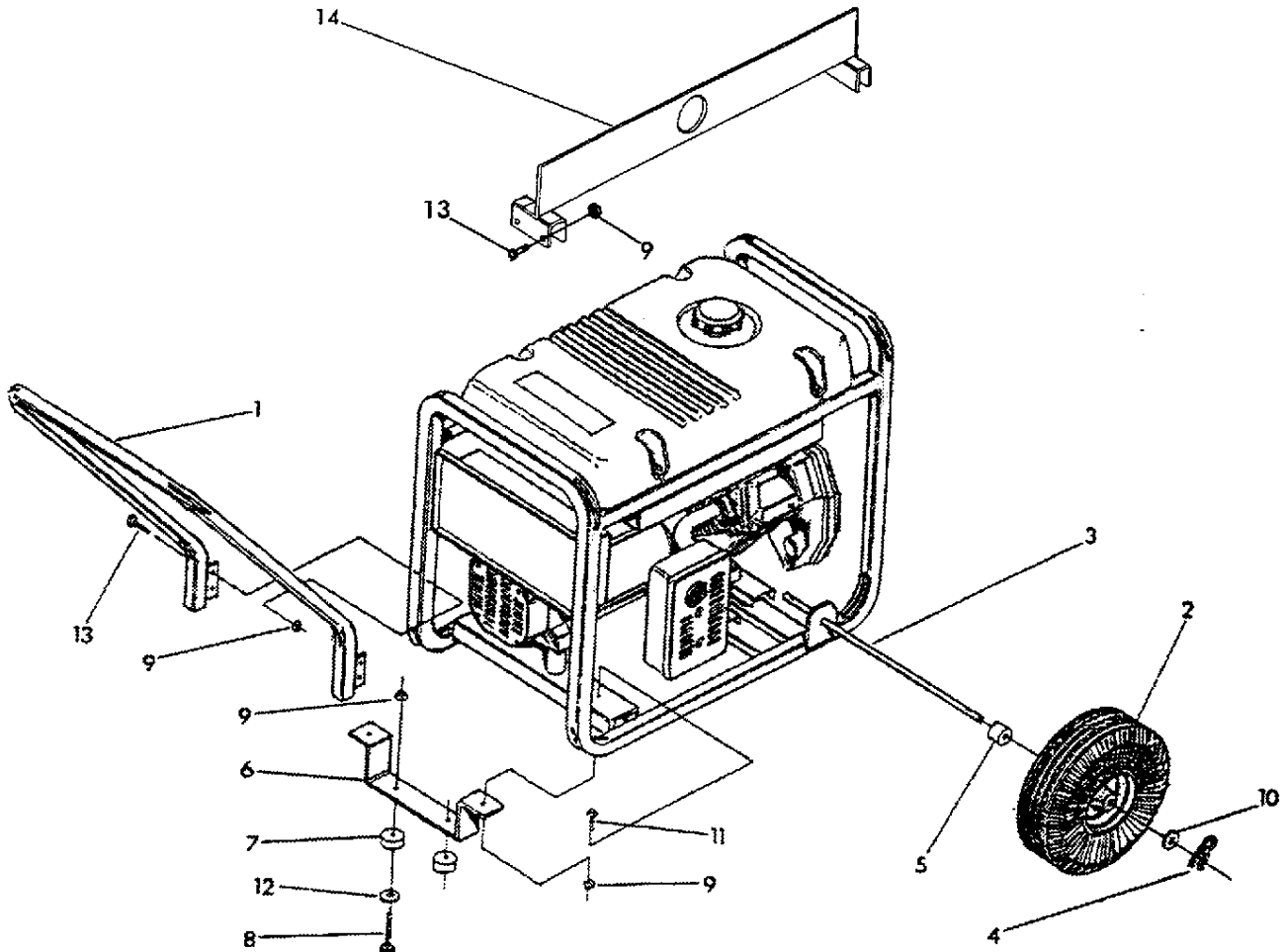
- Owner's Manual (order #B1225)
- Outlet Extension Plug, 125 volts, 30 amp (order #37806)
- Outlet Extension Plug, 125/250 volts, 30 amp (order #43438)
- Battery Charge Cable (order #65787)
- Spark Plug (order #72347)
- Spark Plug Wrench (order #84882)

EXPLODED VIEW — CONTROL PANEL



ITEM	PART NO.	QTY.	DESCRIPTION	ITEM	PART NO.	QTY.	DESCRIPTION
1	92570	1	PANEL, Control	15	80409	1	RECEPTACLE, Duplex GFCI 20A
2	23897	4	FLAT WASHER, #10 M5	16	43180	6	FLAT WASHER, M4
3	49226	4	LOCK WASHER, M5	17	22264	6	LOCK WASHER, #8 M4
4	91526	4	SCREW, M5-0.8 x 12 mm	18	51715	6	NUT, M4 - 0.7 Hex
5	82538	1	SWITCH, RKR On - Off	19	64526	8	SCREW, #6-32 x 3/8"
6	82881	3	LOCK WASHER, 7/16" Int.	20	83970	1	BOARD, System Control
7	43181	4	SCREW, M3 - 0.5 x 10 mm	21	64525	4	3/4" Hex Standoff
8	43182	4	LOCK WASHER, M3	22	87962	1	CIRCUIT BREAKER, 10A (automatic), 12V
9	90418	1	OUTLET, 12 VDC Snap	23	84335	1	ASSEMBLY, Wire Harness
10	75207A	2	CIRCUIT BREAKER, 30 AMP	24	84134	1	GROMMET, Rubber Connector
11	75207	1	CIRCUIT BREAKER, 20 AMP	25	92069	1	BOX, Control Panel
12	23365	6	WASHER, #8 Shakeproof	26	84028	1	TRANSFORMER, Idle Control
13	68868	1	OUTLET, 30A, 120V Locking Type	28	77604	1	HOURMETER
14	43437	1	OUTLET, 30A, 120V/240V Locking Type	29	51714	2	NUT, M3 - 0.5 Hex

EXPLODED VIEW — WHEEL KIT AND LIFT KIT



ITEM	DESCRIPTION	PART NO.	QTY.
1	Handle	93393A	1
2	Wheel	89742	2
3	Axle	93693A	1
4	Retaining Pin	87005	2
5	Wheel Spacer	89635	2
6	Support Leg	93696	1
7	Vibration Mount	27007	2
8	Capscrew, Hex Hd. M8-1.25 x 30 Long	42909	2
9	Lock Nut-M8	52858	12
10	Washer (Wheel)	22247	2
11	Capscrew, Hex Hd. - M8-1.25 x 20 Long	39253	2
12	Washer (Vibration Mtg.)	22145	2
13	HHCS - M8-1.25 x 45 Long GR 10.9	B1214	8
14	Lift Kit Assy.	B1212	1