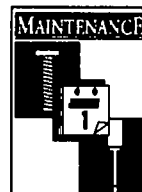
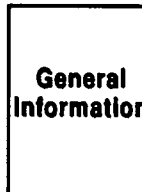
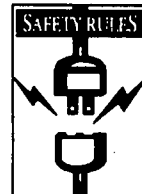
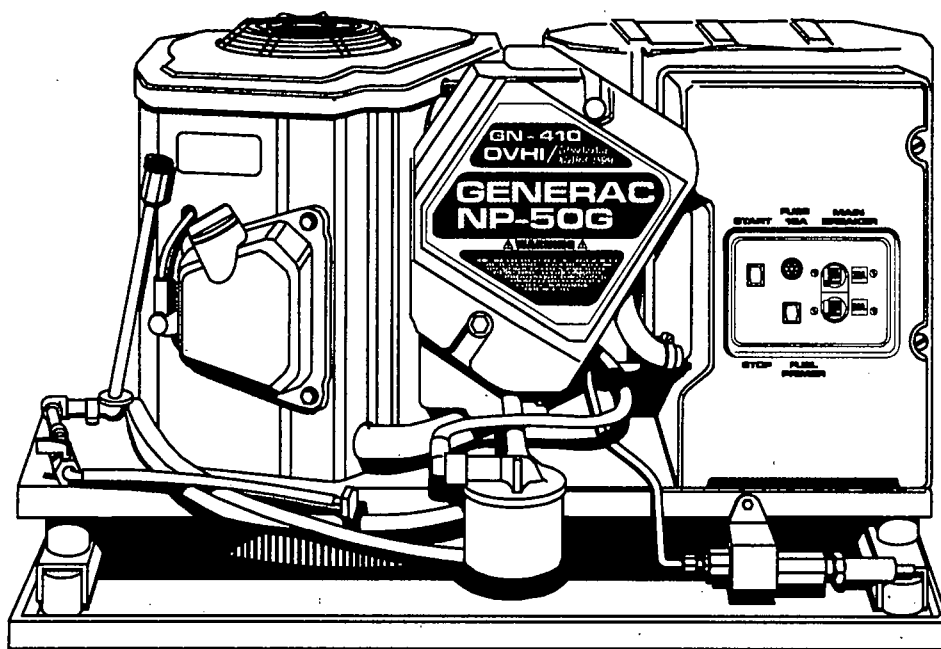


# GENERAC<sup>®</sup>

## Air-cooled Recreational Vehicle Generator

# OWNER'S MANUAL



# GENERAC<sup>®</sup>

POWER SYSTEMS INC.

Model No. 00916-1 Series NP-50G



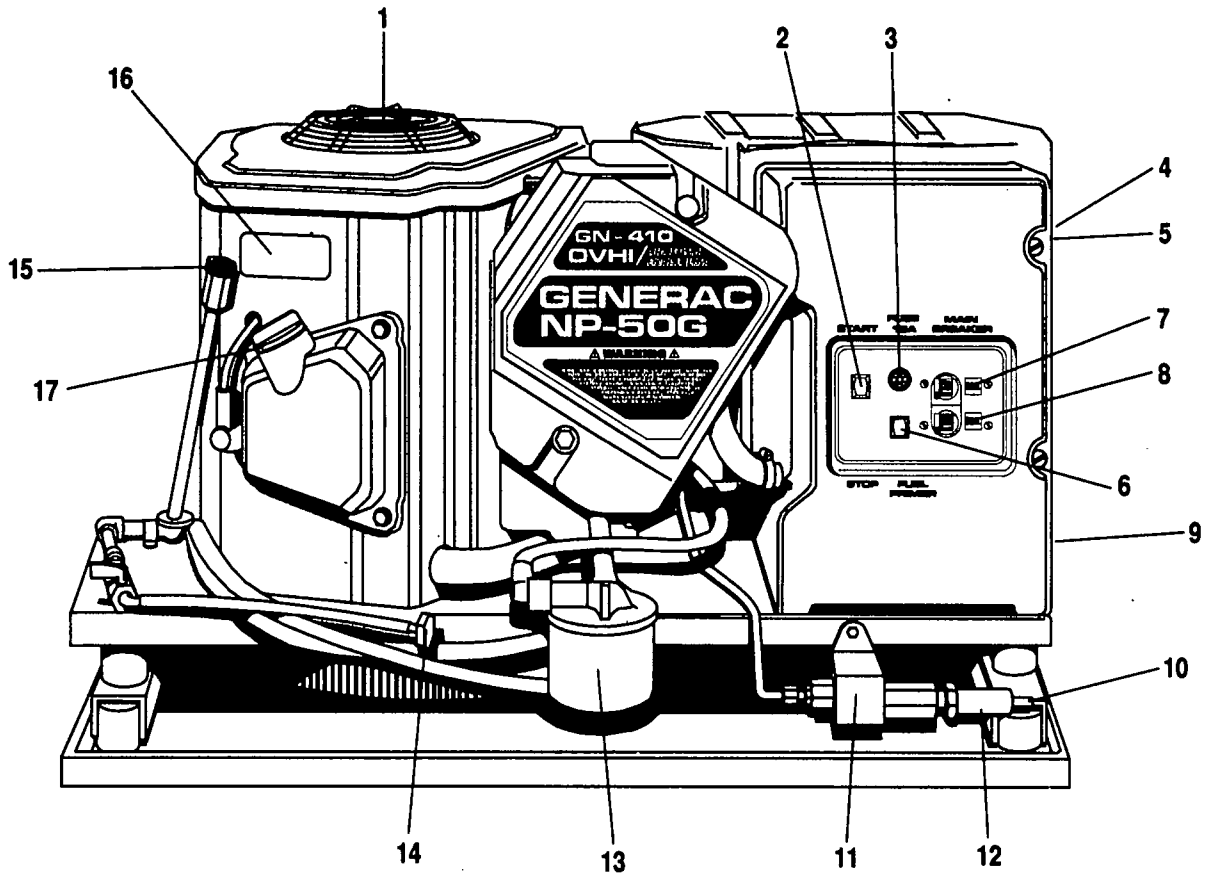
THIS SYMBOL POINTS OUT IMPORTANT SAFETY INSTRUCTIONS, WHICH, IF NOT FOLLOWED, COULD ENDANGER THE PERSONAL SAFETY AND/OR PROPERTY OF YOURSELF AND OTHERS. READ AND FOLLOW ALL INSTRUCTIONS IN THE MANUAL BEFORE ATTEMPTING TO OPERATE THIS UNIT.

**IDENTIFICATION  
RECORD**

Please record the following information from the generator DATA DECAL or information decal.

1. Model Number \_\_\_\_\_ 2. Serial Number \_\_\_\_\_

3. kW Rating \_\_\_\_\_ 4. Rated Voltage \_\_\_\_\_



**REFERENCE NUMBER IDENTIFICATION**

- |                                     |                    |
|-------------------------------------|--------------------|
| 1. Generator Air Intake Screen      | 10. Fuel Inlet     |
| 2. Engine Start/Stop Switch         | 11. Fuel Pump      |
| 3. Fuse                             | 12. Fuel Filter    |
| 4. Optional Remote Panel Receptacle | 13. Oil Filter     |
| 5. Generator AC Output Leads        | 14. Oil Drain Plug |
| 6. Fuel Primer Switch               | 15. Oil Dipstick   |
| 7. Circuit Breaker                  | 16. Data Decal     |
| 8. Circuit Breaker                  | 17. Oil Fill       |
| 9. Starter Contactor                |                    |



## FUEL REQUIREMENTS

The "NP" series generator is equipped with a gasoline fuel system. Specific installations may provide either a separate fuel tank for the generator, or the generator may "share" the vehicle engine's fuel tank.

**NOTE:** Some installations using a "shared" fuel tank may have a generator fuel pickup tube that is shorter than the vehicle engine's pickup tube. Such an arrangement causes the generator engine to "run out of gas" while adequate fuel for the vehicle remains in the tank.

To reduce lead and carbon deposits use high quality UNLEADED gasoline with the generator. Leaded REGULAR grade gasoline is an acceptable substitute.

**NOTE:** Using "Unleaded" gasoline contributes to longer engine valve life by reducing lead and carbon deposits.



**CAUTION:** Generac does not recommend using any gasoline containing alcohol (such as "gasohol"). If you use any gasoline containing alcohol, it must not contain more than 10 percent ethanol and it must be removed from the generator during storage. Do NOT use any gasoline containing methanol. If you use gasoline with alcohol, inspect more frequently for fuel leaks and other abnormalities.

## ENGINE OIL REQUIREMENTS

Use only high quality detergent oil rated with API service classification SF, SG, or SH. The recommended oil weights include the following:

- During summer months: SAE 30. An acceptable substitute is SAE 10W-30.
- During winter months: SAE 5W30. DO NOT USE SAE 10W40.

Crankcase and oil filter capacity is about 1400ml or about 1.5 U.S. quarts. Use no special additives. See "Maintenance" section for oil level check and fill procedures.

## SPECIFICATIONS

### ENGINE

|                                   |                                     |
|-----------------------------------|-------------------------------------|
| Type of Engine .....              | GN-410, single-cylinder             |
| Cooling Method .....              | Air-cooled                          |
| Rated Horsepower .....            | 15 at 4200 RPM                      |
| Displacement .....                | 407cc                               |
| Cylinder Block .....              | Aluminum with cast iron sleeve      |
| Type of Governor .....            | Mechanical, fixed speed             |
| Air Cleaner .....                 | Paper element with foam pre-cleaner |
| Starter .....                     | 12 volt DC electric                 |
| Ignition System.....              | Solid State with flywheel magneto   |
| Recommended Spark Plugs           |                                     |
| Champion .....                    | RC12YC                              |
| AC .....                          | R45S                                |
| Fram Autolite.....                | .65                                 |
| Spark Plug Gap.....               | 0.030 inch (0.76mm)                 |
| Recommended Minimum Battery ..... | 400 CCA (cold cranking amps)        |

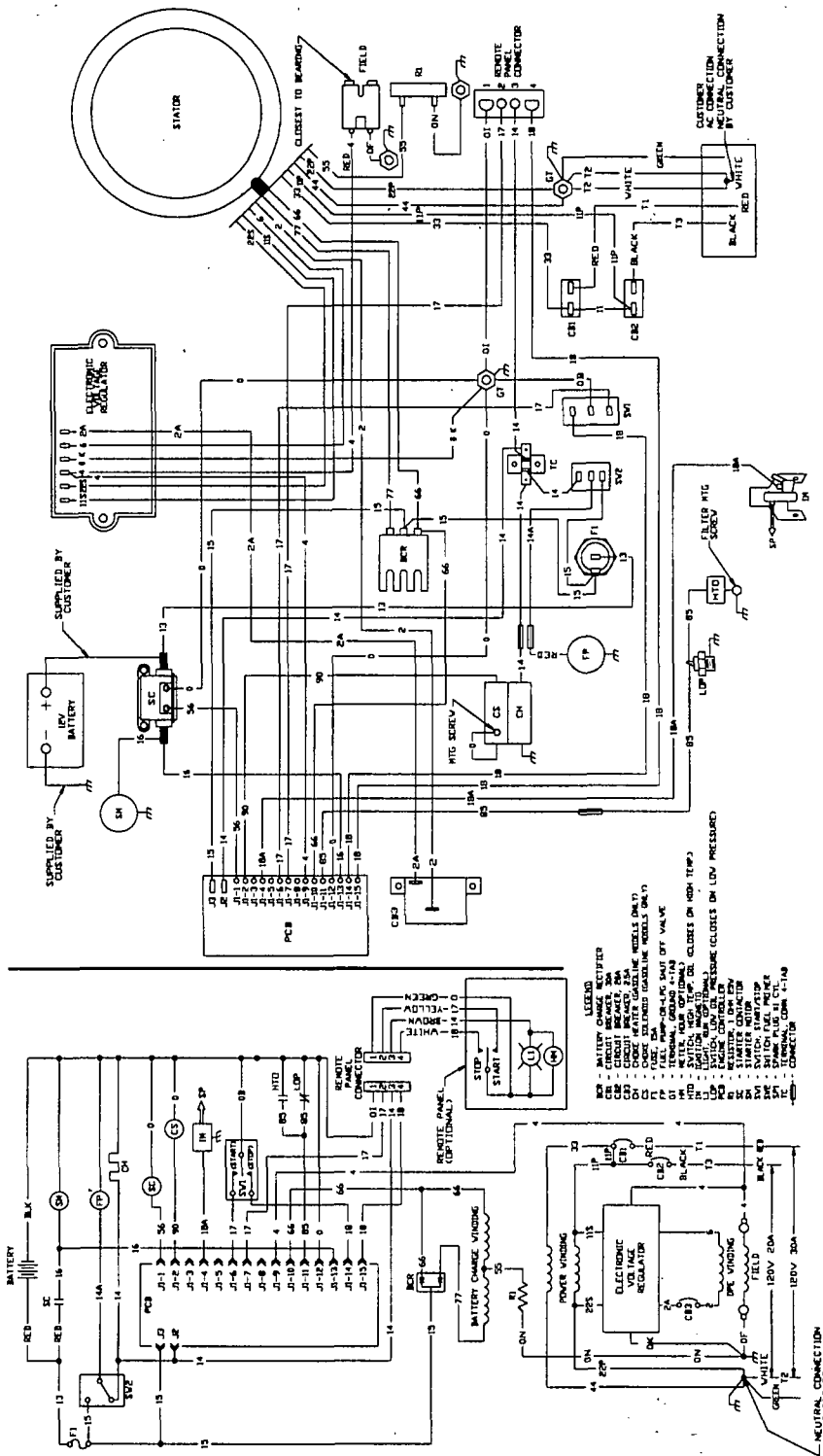
### GENERATOR

|   |                      |
|---|----------------------|
| Rotor RPM .....                           | 3600                 |
| Rotor Poles.....                          | 2                    |
| Engine RPM.....                           | 2571                 |
| Rated Maximum Continuous                  |                      |
| AC Output .....                           | 4800 watts (4.8 kW)  |
| Voltage .....                             | 120 volts AC*        |
| Rated Maximum Continuous AC Current ..... | 40 amperes**         |
| Phase .....                               | single               |
| Frequency.....                            | 60 Hertz             |
| Battery Charge Voltage .....              | 14 Volts DC          |
| Battery Charge Current.....               | 2 amperes (max)      |
| Weight .....                              | 197 pounds (93 kg)   |
| Length .....                              | 25 inches (635mm)    |
| Width .....                               | 18.5 inches (470mm)  |
| Height .....                              | 15.75 inches (400mm) |

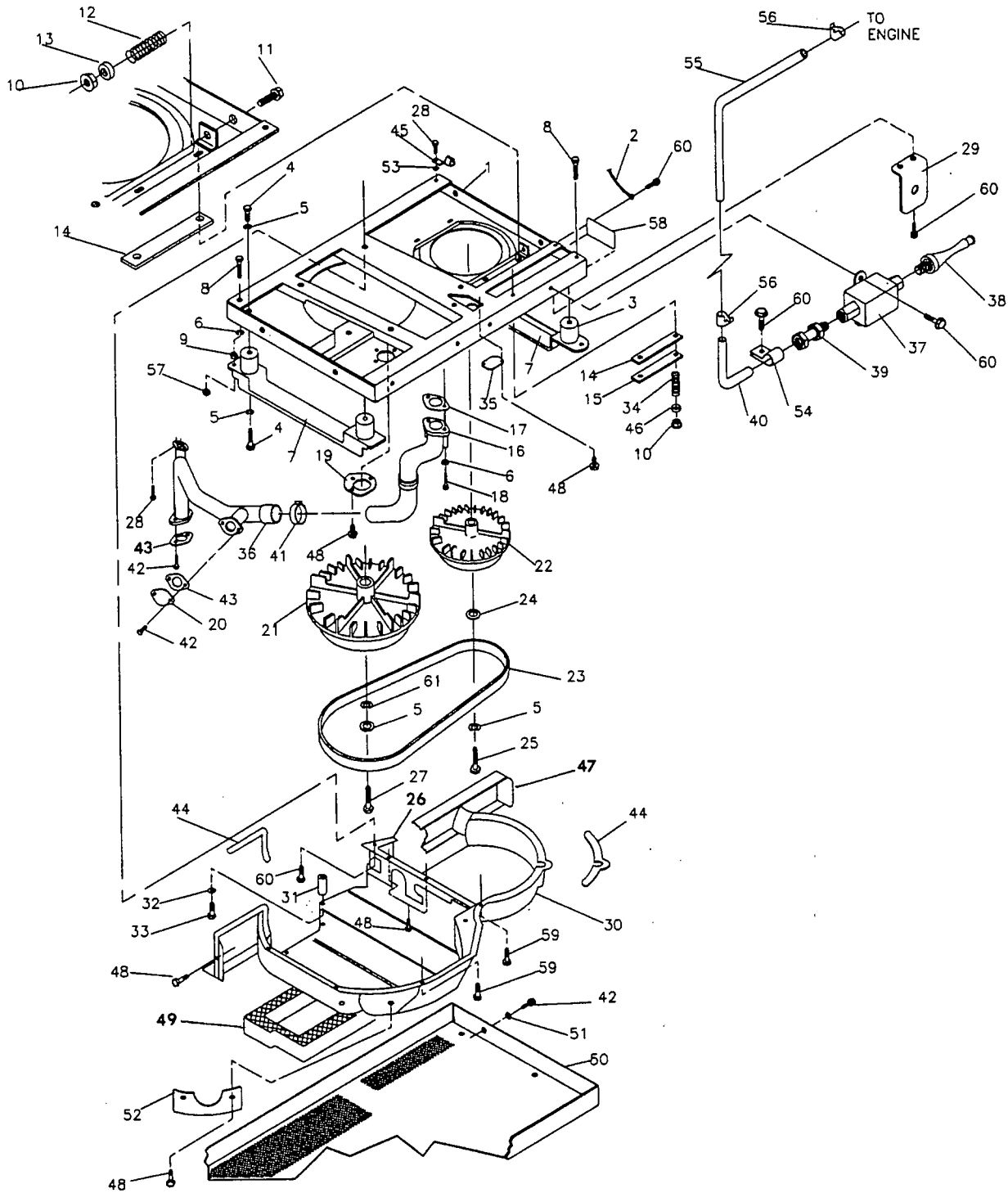
\* All units are reconnectable to 120 and/or 240 volts, dual voltage output. Units are no longer listed per RVIA/ANSI when reconnected for dual voltage output.

\*\* If reconnected for dual voltage, the ampere rating for 240 volts is 20 AC amperes.

**ELECTRICAL DATA**



**EXPLODED VIEW — BASE AND PULLEYS**

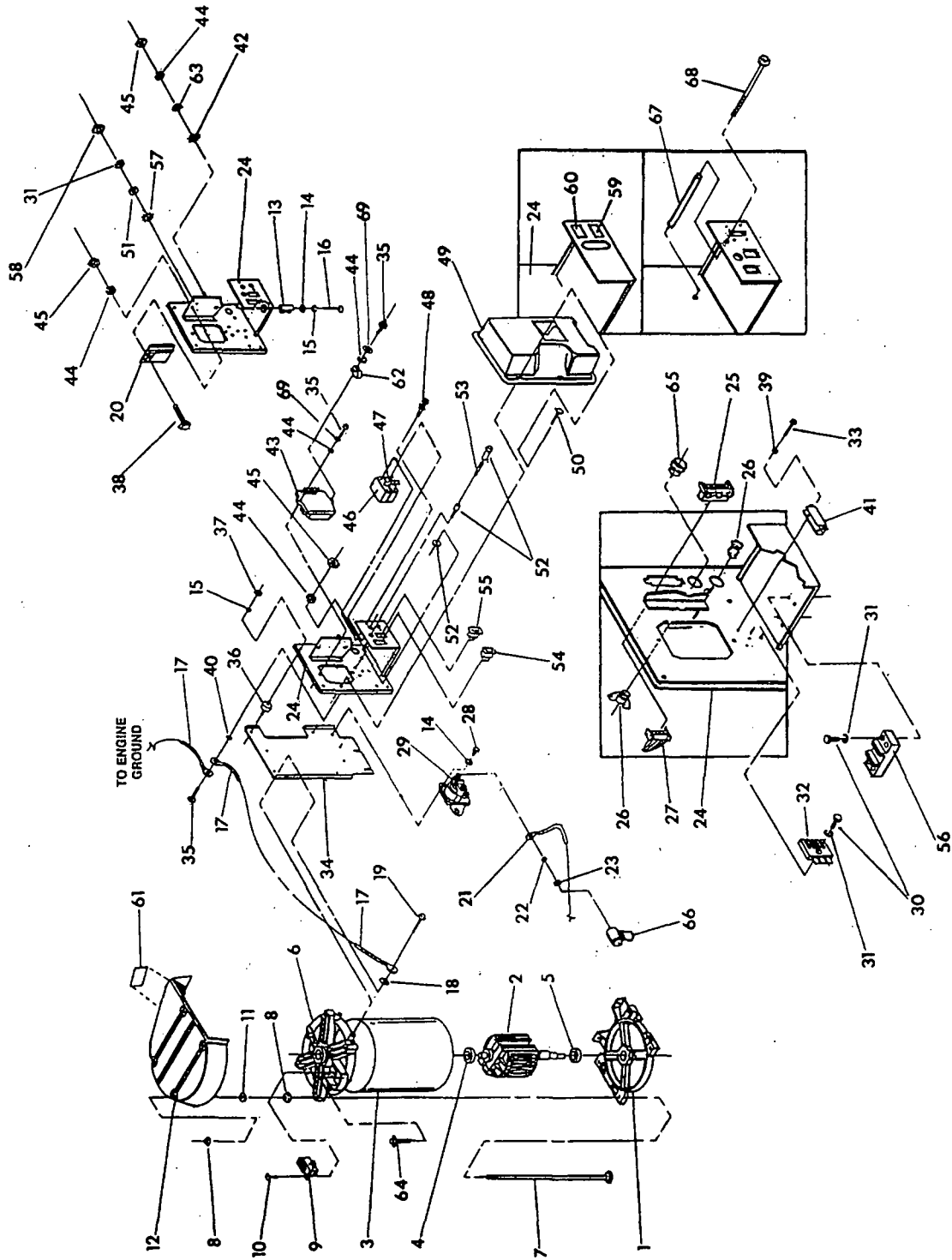


Recreational Vehicle Generator

## REPAIR PARTS — BASE AND PULLEYS

| ITEM | DESCRIPTION                               | PART NO. | QTY. | ITEM | DESCRIPTION                    | PART NO. | QTY.   |
|------|---|----------|------|------|--------------------------------|----------|--------|
| 1    | Mounting Base                             | 92603    | 1    | 32   | M5 Lock Washer                 | 22152    | 1      |
| 2    | Ground Cable                              | 90141    | 1    | 33   | M5-0.80 x 80mm Screw           | 77682    | 1      |
| 3    | Rubber Mount                              | 46911    | 4    | 34   | Generator Set Mt. Spring       | 75242    | 4      |
| 4    | 3/8"-16 x 1/2" Capscrew                   | 25017    | 8    | 35   | Exh. Base Cover Plate          | 92203    | 1      |
| 5    | M10 Lock Washer                           | 46526    | 10   | 36   | Universal Exh. Adaptor         | 91146    | 1      |
| 6    | M8 Lock Washer                            | 22129    | 4    | 37   | Fuel Pump                      | 90475    | 1      |
| 7    | Rubber Mount Skid                         | 72391    | 2    | 38   | Fuel Filter                    | 87769    | 1      |
| 8    | 5/16-18 x 3-1/2 Safety Bolt               | 77603    | 2    | 39   | 1/8 Pipe to 1/4 Tube Fitting   | 87768    | 1      |
| 9    | 5/16-18 Hex Nut                           | 22259    | 2    | 40   | Metal Fuel Tube                | 91634    | 1      |
| 10   | M8-1.25 Flanged Lock Nut                  | 52858    | 6    | 41   | 1-1/4 Dia. Exh. Pipe Clamp     | 96289    | 1      |
| 11   | M8-1.25 x 60mm Capscrew                   | 51730    | 2    | 42   | M6-1.0 x 16 HHCS & Lock Washer | 79246    | 8      |
| 12   | Belt Tension                              | 29459    | 2    | 43   | Exh. Pipe Gasket               | 77643    | 2      |
| 13   | Spring Cntr. Washer                       | 75215    | 2    | 44   | Foam Tape                      | 29289    | 10 Ft. |
| 14   | Nylon Slide                               | 73146    | 4    | 45   | Grounding Lug                  | 62684    | 1      |
| 15   | Nylon Slide Support                       | 75209    | 2    | 46   | Spring Retainer Washer         | 75237    | 4      |
| 16   | Exhaust Manifold                          | 91032    | 1    | 47   | Air Opening Cover              | 75226    | 1      |
| 17   | Exhaust Manifold Gasket                   | 90239    | 1    | 48   | #10-24 x .5 Screw              | 56893    | 14     |
| 18   | M8-1.25 x 65 Socket Hd. Capscrew          | 57636    | 2    | 49   | Foam Slide Pan Gasket          | 75229    | 1      |
| 19   | Collector Pan Gasket                      | 92645    | 1    | 50   | Slide Pan                      | 75227    | 1      |
| 20   | External Cover Plate                      | 90859    | 1    | 51   | M6 Flat Washer                 | 22473    | 4      |
| 21   | Engine Pulley                             | 75224B   | 1    | 52   | Exhaust Outlet Cover           | 72384C   | 1      |
| 22   | Alt. Pulley                               | 73106B   | 1    | 53   | M6 Shakeproof Lock Washer      | 22447    | 2      |
| 23   | 40" Belt (Poly V 4L)                      | 75216    | 1    | 54   | Vinyl Coated Clamp             | 90088    | 2      |
| 24   | Pulley Retainer Washer                    | 49451    | 1    | 55   | 1/4 Dia. 250mm Fuel Hose       | 44249B   | 1      |
| 25   | 3/8"-24 x 1 Socket Hd. Capscrew (Grade 5) | 42633    | 1    | 56   | Hose Clamp                     | 48031    | 2      |
| 26   | Blower Housing Guide                      | 77017    | 1    | 57   | 5/16-18 Flange Nut (Special)   | 81105    | 2      |
| 27   | 3/8"-24 x 2-1/2" Capscrew                 | 73118    | 1    | 58   | Ground Decal                   | 67210    | 1      |
| 28   | M6-1.00 x 20 Screw                        | 74906    | 2    | 59   | M5-0.8 x 10 Taptite Screw      | 74908    | 9      |
| 29   | Fuel Pump Bracket                         | 91123    | 1    | 60   | M6-1.0 x 10 Taptite Screw      | 45756    | 9      |
| 30   | Blower Housing                            | 72375    | 1    | 61   | M10 Flat Washer                | 22131    | 1      |
| 31   | Blower Housing Spacer                     | 73185    | 1    |      |                                |          |        |

**EXPLODED VIEW — ALTERNATOR AND PANEL**

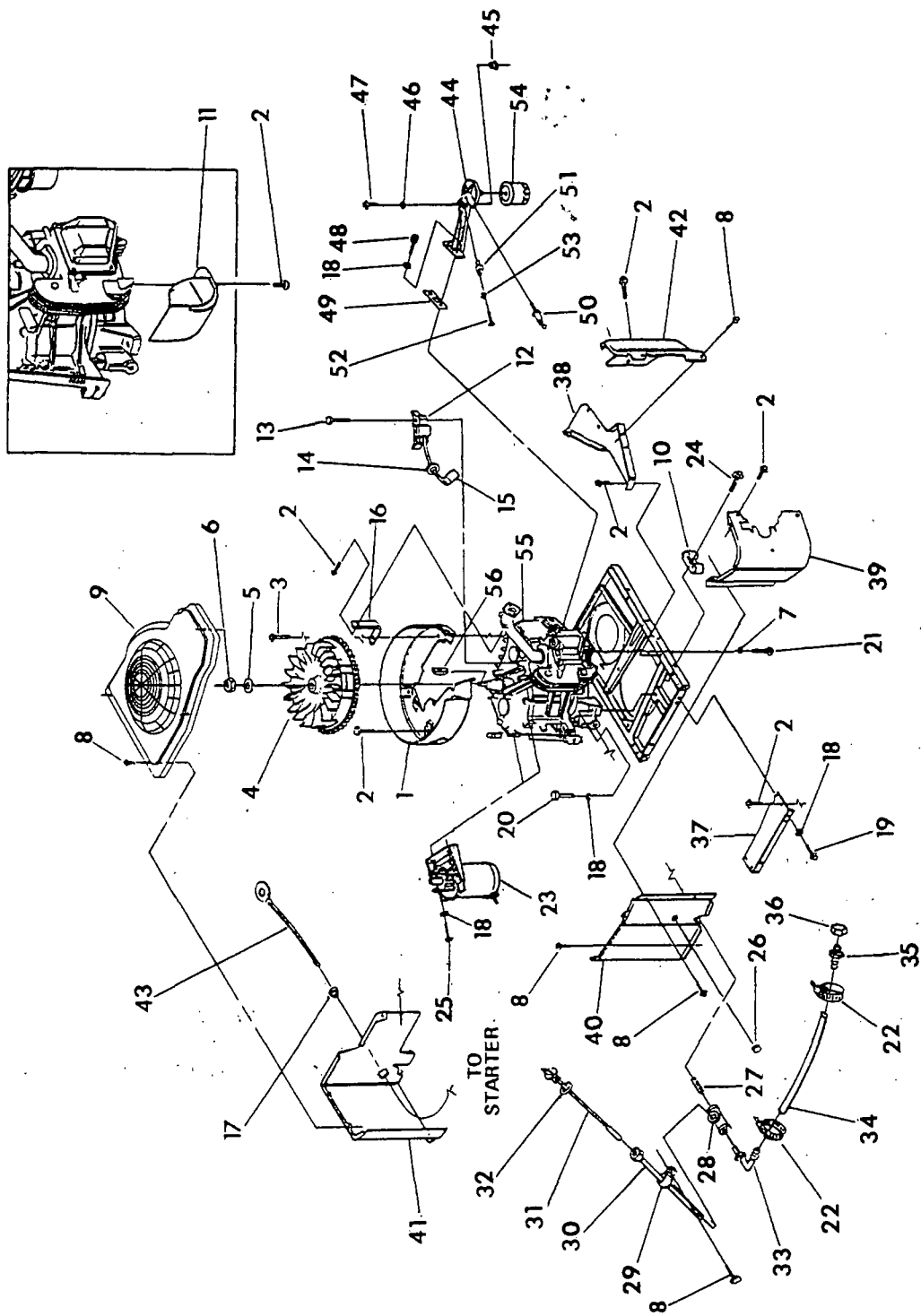


Recreational Vehicle Generator

**REPAIR PARTS — ALTERNATOR AND PANEL**

| ITEM | DESCRIPTION                          | PART NO. | QTY. | ITEM | DESCRIPTION                                   | PART NO. | QTY. |
|------|--------------------------------------|----------|------|------|---|----------|------|
| 1    | Lower Bearing Carrier                | 75995    | 1    | 35   | M5-0.8 x 30 Capscrew                          | 75235    | 3    |
| 2    | 50 Rotor Assembly                    | 926050   | 1    | 36   | Vibration Mount                               | 82737    | 4    |
| 3    | 50 Stator Assembly                   | 926040   | 1    | 37   | M6-1.0 Hex Nut                                | 49813    | 4    |
| 4    | Ball Bearing                         | 73159    | 1    | 38   | M5-0.8 x 16 Capscrew                          | 55440    | 1    |
| 5    | Ball Bearing                         | 31971    | 1    | 39   | M3 Lock Washer                                | 43182    | 2    |
| 6    | Upper Bearing Carrier                | 72379    | 1    | 41   | 2.5A.-ON Circuit Breaker                      | 53623    | 1    |
| 7    | Stator Stud                          | 77006    | 4    | 42   | M5 Shakeproof Washer                          | 22769    | 2    |
| 8    | M8-1.25 Flange Lock Nut              | 52858    | 8    | 43   | Regulator Voltage                             | 83049    | 1    |
| 9    | Brush Holder                         | 66386    | 1    | 44   | M5 Lock Washer                                | 22152    | 6    |
| 10   | M5-0.8 x 16 Taptite                  | 66849    | 2    | 45   | M5-0.8 Hex Nut                                | 51716    | 4    |
| 11   | Nylon Washer                         | 27756    | 4    | 46   | 20A. Circuit Breaker                          | 90144    | 1    |
| 12   | Generator Top Housing                | 86314    | 1    | 47   | 30A All Units Cir. Breaker                    | 90145    | 1    |
| 13   | Resistor                             | 75234    | 1    | 48   | #6-32 w/Lockwasher Screw                      | 25105    | 4    |
| 14   | M6 Flat Washer                       | 22473    | 3    | 49   | Panel Cover                                   | 86315    | 1    |
| 15   | M6 Lock Washer                       | 22097    | 5    | 50   | M4-0.7 x 16 Screw w/Lock Washer & Flat Washer | 90734    | 4    |
| 16   | M6-1.0 x 60 Capscrew                 | 74095    | 1    | 51   | M4 Flat Washer                                | 22985    | 1    |
| 17   | Ground Cable                         | 90141    | 2    | 52   | Fuse Holder                                   | 32300    | 1    |
| 18   | Shakeproof Lock Washer               | 22447    | 1    | 53   | 15A. AGC Fuse                                 | 22676    | 1    |
| 19   | M6-1.0 x 20 Taptite                  | 74906    | 4    | 54   | 6A (Start/Stop) S.P.D.T. Switch               | 87798    | 1    |
| 20   | P.C.B. Controller                    | 94039    | 1    | 55   | S.P.D.T. Switch (Fuel Pump)                   | 92113    | 1    |
| 21   | Starter Cable                        | 10-74260 | 1    | 56   | Terminal Block                                | 75210A   | 1    |
| 22   | 5/16 Lock Washer                     | 22129    | 2    | 57   | M4 Shakeproof Washer                          | 23365    | 1    |
| 23   | 5/16-18 Hex Nut                      | 22259    | 2    | 58   | M4-0.7 Hex Nut                                | 51715    | 1    |
| 24   | Panel Sheet Metal                    | 86316    | 1    | 59   | 30A. CB Rating Decal                          | 90157    | 1    |
| 25   | 4-Pin Connector                      | 53650    | 1    | 60   | 20A. CB Rating Decal                          | 90156    | 1    |
| 26   | Connector                            | 91915    | 1    | 61   | Cust. Connection Decal                        | 89438A   | 1    |
| 27   | Remote Harness                       | 75244    | 1    | 62   | Hose Clamp                                    | 31791    | 1    |
| 28   | M6-1.0 x 12mm Capscrew w/Lock Washer | 66476    | 2    | 63   | M5 Flat Washer                                | 23365    | 1    |
| 29   | Starter Contactor                    | 86729    | 1    | 64   | M5 x 10 Taptite                               | 74908    | 2    |
| 30   | M4-0.7 x 16 Capscrew                 | 75476    | 3    | 65   | Bushing                                       | 23484S   | 1    |
| 31   | M4 Lock Washer                       | 22264    | 4    | 66   | Battery Cable Boot                            | 75763A   | 1    |
| 32   | Battery Charge Rectifier             | 65795    | 1    | 67   | Plastic Spacer                                | 94070    | 1    |
| 33   | M3-0.5 x 15 Capscrew                 | 90987    | 2    | 68   | M6-0.8 x 110 PPHMS.                           | 94071    | 1    |
| 34   | Panel Support Bracket                | 86317    | 1    |      |   |          |      |

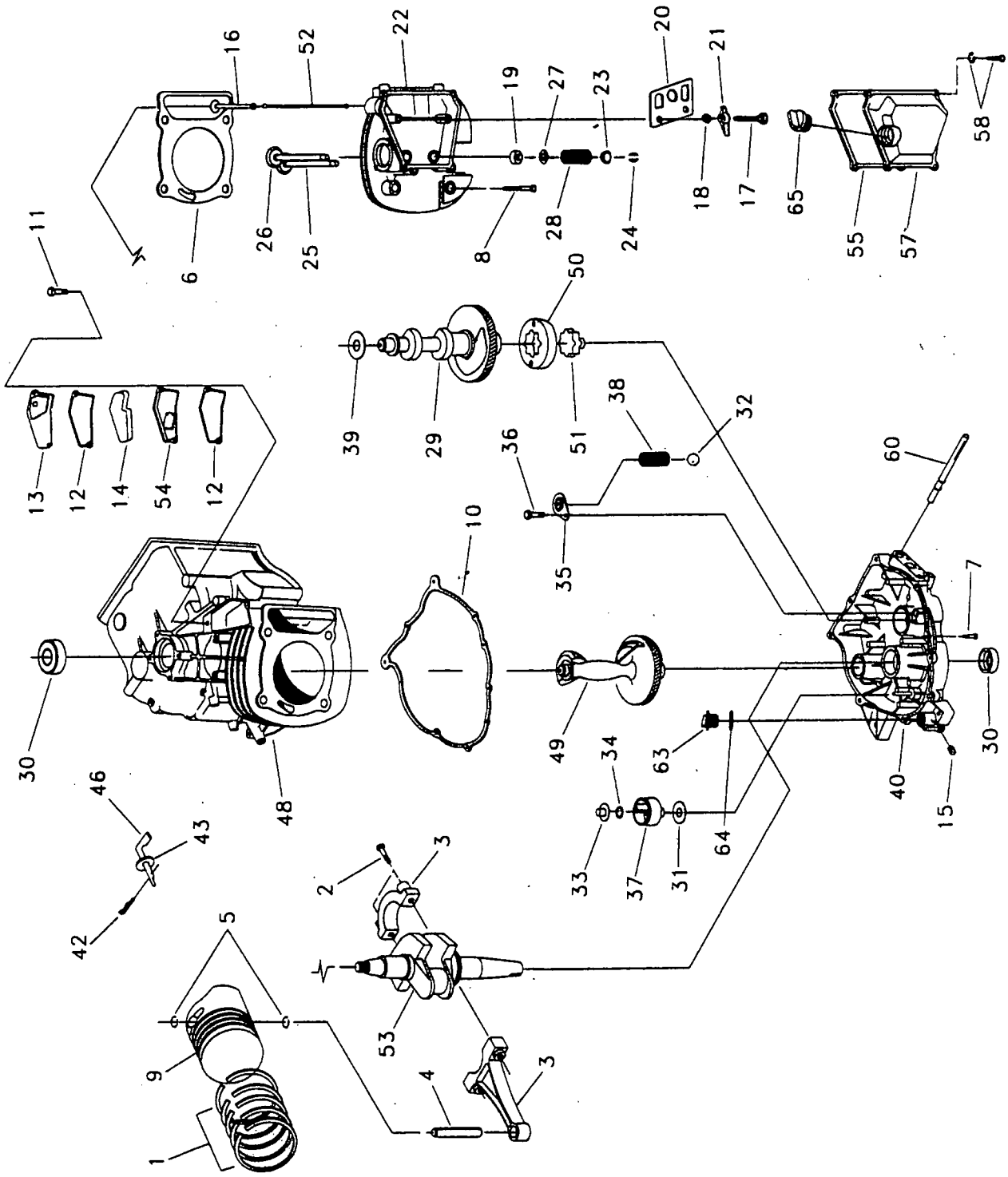
**EXPLODED VIEW — ENGINE SHEET METAL**



## REPAIR PARTS — ENGINE SHEET METAL

| ITEM | PART NO. | QTY. | DESCRIPTION                             | ITEM | PART NO. | QTY. | DESCRIPTION                                       |
|------|----------|------|---|------|----------|------|---|
| 1    | 90953    | 1    | SCROLL, FLYWHEEL                        | 27   | 35467    | 1    | CLOSE NIPPLE 3/8" NPT                             |
| 2    | 45756    | 8    | SCREW, TAPTITE<br>M6-1.0 X 10 LG.       | 28   | 27738-A  | 1    | PIPE TEE 3/8" NPT                                 |
| 3    | 90388    | 1    | SCREW, TAPTITE<br>M6-1.0 X 12 LG.       | 29   | 55934-T  | 1    | CLAMP-VINYL COATED                                |
| 4    | 91222-D  | 1    | FLYWHEEL (21 DEG.)                      | 30   | 91519    | 1    | TUBE - DIPSTICK                                   |
| 5    | 67198-N  | 1    | WASHER, BELLVILLE M20                   | 31   | 91520    | 1    | ASSY., CAP AND DIPSTICK                           |
| 6    | 67890    | 1    | NUT, M20 X 1.5                          | 32   | 91648    | 1    | "O" RING DIA.-14 X 3 WALL                         |
| 7    | A4456    | 1    | 3/8" SPECIAL LOCK WASHER                | 33   | 43791    | 1    | ELBOW, 3/8" I.D.-BRASS                            |
| 8    | 56893    | 23   | SCREW, CRIMPTITE<br>#10-24 X .5 LG.     | 34   | 47290    | 1    | HOSE, 3/8" I.D.                                   |
| 9    | 98769    | 1    | COVER, TOP FLYWHL NP50                  | 35   | 35461    | 1    | BARB FITTING-1/4" NPT-<br>3/8" HOSE               |
| 10   | 65852    | 1    | CLIP, HOSE RETAINER                     | 36   | 69811    | 1    | CAP - 1/4" NPT                                    |
| 11   | 91646    | 1    | DEFLECTOR, EXH. PORT                    | 37   | 90951    | 1    | COVER-BASE, STARTER SIDE                          |
| 12   | A8600    | 1    | ASSY. IGNITION COIL                     | 38   | 90952    | 1    | COVER-BASE CARB. SIDE                             |
| 13   | 92097    | 2    | SCREW, TAPTITE<br>M6-1.0 X 25MM         | 39   | 91137    | 1    | WRAPPER, ENG. SPARK PLUG                          |
| 14   | 22717-A  | 1    | GROMMET, RUBBER                         | 40   | 90954    | 1    | WRAPPER, STARTER SIDE                             |
| 15   | 73132    | 1    | BOOT, SPARK PLUG                        | 41   | 90955    | 1    | WRAPPER, REAR GEAR CASE                           |
| 16   | 91643    | 1    | BRACKET, INTAKE<br>MANIFOLD SUPPORT     | 42   | 90956    | 1    | WRAPPER, CARB. SIDE                               |
| 17   | 22717-B  | 1    | GROMMET, RUBBER                         | 43   | 74260-10 | 1    | ASSEMBLY., WIRE -<br>STARTER (#16)                |
| 18   | 22129    | 8    | LOCK WASHER - M8                        | 44   | 90892    | 1    | SUPPORT, OIL FILTER                               |
| 19   | 42907    | 2    | CAPSCR., HEX HD.<br>M8-1.25 X 16 LG.    | 45   | 90059    | 1    | BUSHING, RUBBER                                   |
| 20   | 57821    | 2    | CAPSCR., HEX HD.<br>M8-1.25 X 40 LG.    | 46   | 91160    | 1    | WASHER, RUBBER                                    |
| 21   | 59637    | 2    | SCREW, TAPTITE<br>3/8"-16 X .75 LG.     | 47   | 91161    | 1    | BOLT, SHOULDER-M6 X 15 LG.                        |
| 22   | 48031-E  | 2    | HOSE CLAMP                              | 48   | 49821    | 2    | BOLT, SOCKET HD. CAPSCR.<br>M8-1.25 X 30 LG.      |
| 23   | 21544    | 1    | MOTOR, STARTER-12VOLT                   | 49   | 86999    | 1    | GASKET, OIL FILTER SUPPT.                         |
| 24   | 74908    | 1    | SCREW, TAPTITE<br>M5-0.8 X 10 LG.       | 50   | 60108    | 1    | SWITCH, OIL PRESS.-10 PSI                         |
| 25   | 40976    | 2    | SOCKET HD. CAPSCR.,<br>M8-1.25 X 20 LG. | 51   | 75281    | 1    | SWITCH, OIL TEMPERATURE                           |
| 26   | 25034    | 1    | PLUG, BUTTON - 1.06                     | 52   | 74027    | 2    | SCREW, PHILLIPS PAN HD.<br>MACH. - M3-0.5 X 5 LG. |
|      |          |      |   | 53   | 43182    | 2    | LOCK WASHER - M3                                  |
|      |          |      |   | 54   | 70185    | 1    | FILTER, OIL                                       |
|      |          |      |   | 55   | A7629    | 1    | ENGINE, LONG BLOCK -<br>GN410VSRV                 |
|      |          |      |   | 56   | 82774    | 1    | KEY, WOODRUFF 4 X 19 DIA.                         |

**EXPLODED VIEW — GN-410 ENGINE**

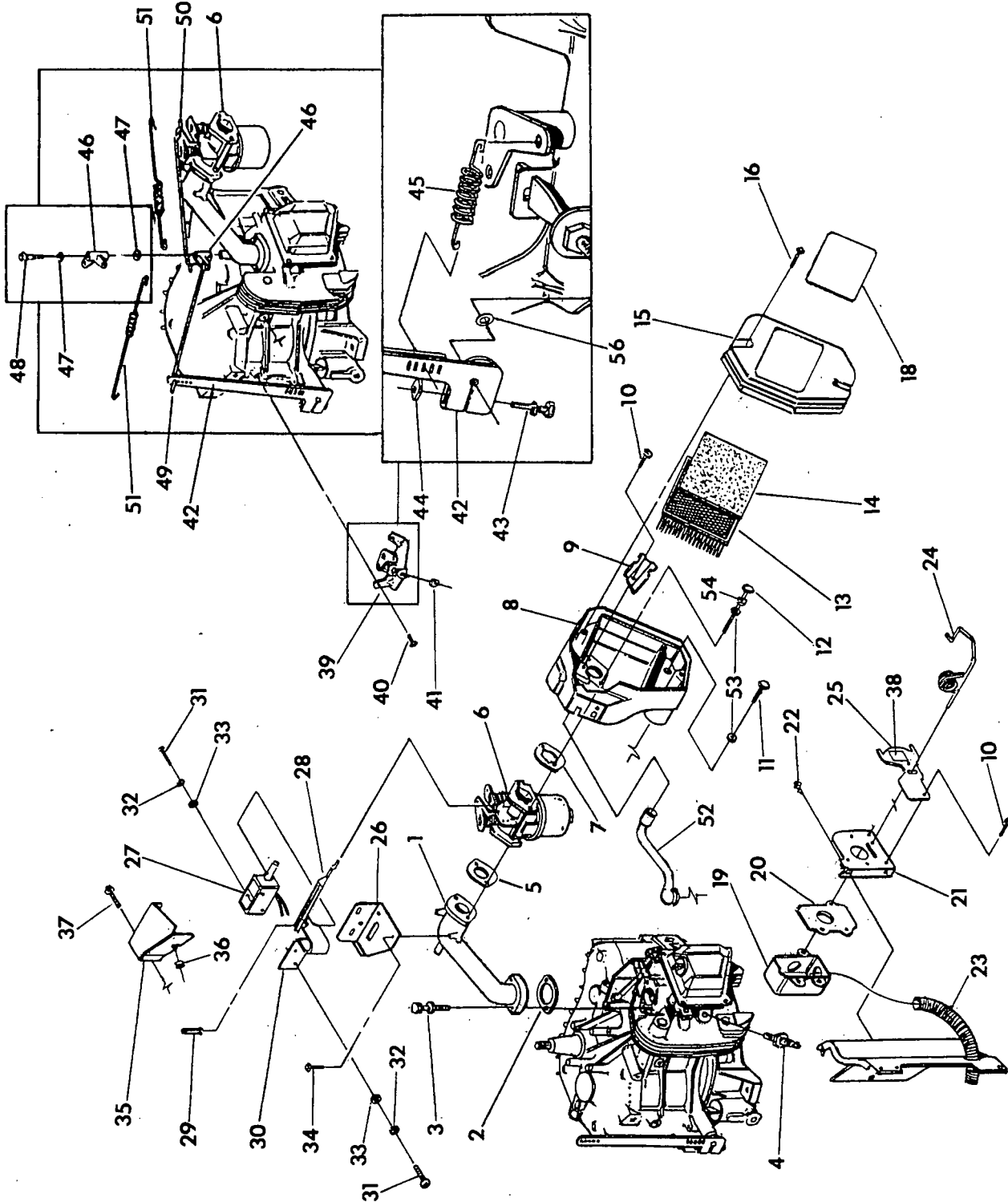


Recreational Vehicle Generator

**REPAIR PARTS — GN-410 ENGINE**

| ITEM | DESCRIPTION                               | PART NO. | QTY. | ITEM | DESCRIPTION                                   | PART NO. | QTY. |
|------|---|----------|------|------|---|----------|------|
| 1    | PISTON RING SET                           | 21533    | 1    | 32   | PRESSURE RELIEF BALL                          | A5776    | 1    |
| 2    | CONNECTING ROD BOLT                       | 71979    | 2    | 33   | GOVERNOR SPOOL                                | A7308    | 1    |
| 3    | CONNECTING ROD WITH CAP<br>AND BOLT       | 71978    | 1    | 34   | GOVERNOR RETAINER (C-RING)                    | 78645    | 1    |
| 4    | PISTON PIN                                | 71980    | 1    | 35   | OIL PRESSURE SPRING RETAINER                  | 78691    | 1    |
| 5    | PISTON PIN RETAINER                       | 71983    | 2    | 36   | M5-0.8X8MM SCREW (THD. FORMING)               | 74908    | 1    |
| 6    | CYLINDER HEAD GASKET                      | 21713B   | 1    | 37   | GOVERNOR GEAR ASSEMBLY                        | 83912    | 1    |
| 7    | FLANGED HEX HD. CAPSCREW                  | 73144    | 8    | 38   | OIL PRESSURE SPRING                           | A5771    | 1    |
| 8    | M10 X 100MM HEAD BOLT                     | 73149    | 4    | 39   | SPRING WASHER                                 | B2104    | 2    |
| 9    | PISTON                                    | 96699    | 1    | 40   | OIL SUMP                                      | 83981    | 1    |
| 10   | CRANKCASE GASKET                          | 76701    | 1    | 41   | SLEEVE BEARING                                | 72654    | 1    |
| 11   | M6 SCREW (THD. FORMING)                   | 45756    | 2    | 42   | GOVERNOR ARM "R" PIN                          | 78658    | 1    |
| 12   | BREATHER GASKET                           | 80308    | 2    | 43   | THRUST WASHER                                 | 78659    | 2    |
| 13   | BREATHER COVER                            | 80309    | 1    | 44   | SLEEVE DOWEL PIN DIA. 12                      | 78699B   | 1    |
| 14   | OIL BREATHER SEPARATOR                    | 80338    | 1    | 45   | SLEEVE DOWEL PIN DIA. 14                      | 78699C   | 2    |
| 15   | PIPE PLUG-3/8"                            | 26925    | 1    | 46   | GOVERNOR ARM                                  | 83948    | 1    |
| 16   | TAPPET                                    | 83897    | 2    | 47   | DOWEL PIN DIA. 12 X 20 LONG                   | 88590    | 1    |
| 17   | PIVOT BALL STUD                           | 72694    | 2    | 48   | CRANKCASE SUB ASSEMBLY                        | 89288C   | 1    |
| 18   | JAM NUT (ROCKER ARM)                      | 72696    | 2    | 49   | BALANCER                                      | 84430    | 1    |
| 19   | SEAL, VALVE STEM                          | 78672    | 1    | 50   | OUTER GEROTER                                 | 86002    | 1    |
| 20   | PUSH ROD GUIDE PLATE                      | 78694    | 1    | 51   | INNER GEROTER                                 | 86026    | 1    |
| 21   | ROCKER ARM                                | 83907    | 2    | 52   | PUSH ROD                                      | 88396B   | 2    |
| 22   | CYLINDER HEAD W/VALVE SEATS<br>AND GUIDES | 21714    | 1    | 53   | CRANKSHAFT ASSEMBLY                           | 90416A   | 1    |
| 23   | VALVE SPRING RETAINER                     | 86514    | 2    | 54   | BREATHER VALVE ASSEMBLY                       | 90747    | 1    |
| 24   | VALVE SPRING KEEPER                       | 88515    | 4    | 55   | ROCKER COVER GASKET                           | 70987    | 1    |
| 25   | EXHAUST VALVE                             | 86516    | 1    | 57   | ROCKER COVER W/FILL                           | 92362    | 1    |
| 26   | INTAKE VALVE                              | 86517    | 1    | 58   | M6-1.00 X 16MM PAN HD. SCR.<br>AND LOCKWASHER | 79246    | 4    |
| 27   | WASHER, VALVE SPRING                      | 89673    | 2    | 59   | BEARING TUBE SHAFT                            | 83921    | 1    |
| 28   | VALVE SPRING                              | 91308    | 2    | 60   | OIL SCREEN PICKUP ASSEMBLY                    | 77158    | 1    |
| 29   | CAMSHAFT ASSEMBLY                         | A7081    | 1    | 61   | "O" RING 14 I.D. X 2.4 THICK                  | 80342    | 2    |
| 30   | CAMSHAFT SEAL                             | 72655    | 2    | 63   | OIL FILL PLUG                                 | 76329    | 1    |
| 31   | THRUST WASHER                             | 76361    | 1    | 64   | "O" RING 17.8 I.D. X 2.4 THICK                | 86254    | 1    |
|      |   |          |      | 65   | OIL FILL CAP ASSEMBLY                         | 93064    | 1    |

**EXPLODED VIEW — ENGINE ACCESSORIES**



Recreational Vehicle Generator

**REPAIR PARTS — ENGINE ACCESSORIES**

| ITEM | DESCRIPTION                             | PART NO. | QTY. | ITEM | DESCRIPTION                      | PART NO. | QTY. |
|------|---|----------|------|------|----------------------------------|----------|------|
| 1    | Intake Manifold                         | 90896    | 1    | 28   | Choke Linkage                    | 91642    | 1    |
| 2    | Manifold Head Gasket                    | 91039    | 1    | 29   | Cotter Pin                       | 36544    | 1    |
| 3    | M6-1.0 x 20 Capscrew & Lock Washer Bolt | 68527    | 2    | 30   | Choke Heater Assy.               | 89473    | 1    |
| 4    | #RC12YC Champ Spark Plug                | 72347    | 1    | 31   | #4-40 x .19 Phillips Screw       | 47488    | 4    |
| 5    | Carb./Manifold Gasket                   | 89228    | 1    | 32   | #4 Lock Washer                   | 22159    | 4    |
| 6    | Carburetor                              | 91188A   | 1    | 33   | #4 Flat Washer                   | 31879    | 4    |
| 7    | Carb./Air Filter Gasket                 | 90970    | 1    | 34   | M5 x 10 Taptite Screw            | 74908    | 2    |
| 8    | Air Filter Base                         | 73108    | 1    | 35   | Choke Assy. Cover                | 91677    | 1    |
| 9    | Carb. Shield Plate                      | 91204    | 1    | 36   | Rubber Grommet                   | 22717A   | 1    |
| 10   | #8 x .37" Plastite Screw                | 59635    | 4    | 37   | #8 x .37 Crimptite Screw         | 63036    | 1    |
| 11   | M6 x 12 Capscrew & Lock Washer Bolt     | 66476    | 2    | 38   | Summer/Winter Decal              | 92252    | 1    |
| 12   | 80 Lg. Carb. Mount. Bolt                | 92695    | 2    | 39   | Gov. Spring Adj. Brkt. Assy.     | 92164    | 1    |
| 13   | Air Filter                              | 73111    | 1    | 40   | M8 x 15 Taptite Bolt             | 83512    | 2    |
| 14   | Air Filter Pre-Cleaner                  | 81646    | 1    | 41   | M5-0.8 Locking Nut               | 83503    | 1    |
| 15   | Air Filter Cover                        | 73104B   | 1    | 42   | Gov. Arm Lever                   | 90968    | 1    |
| 16   | Air Filter Cover Bolt                   | 78609    | 2    | 43   | M6 x 30 Washer/Lock Washer Bolt  | 83532    | 1    |
| 18   | NP-50G (360 Eng. only) A/C Data Decal   | 91554    | 1    | 44   | M6 Special Nut                   | 86681    | 1    |
|      | NP-50G (410 Eng. only) A/C Data Decal   | 91554B   | 1    | 45   | Governor Spring                  | 91638    | 1    |
| 19   | Heat Riser Box                          | 92364    | 1    | 46   | Gov. Rods Bellcrank              | 91633    | 1    |
| 20   | Heat Riser Box Gasket                   | 92363    | 1    | 47   | Felt Washer                      | 92586    | 2    |
| 21   | Air Clnr. Support Bracket               | 91367    | 1    | 48   | M6 x 15 Shoulder Bolt            | 91161    | 1    |
| 22   | M6-1.0 x 10 Taptite Bolt                | 45756    | 2    | 49   | Linkage Gov. Lever Bellcrank Rod | 91636    | 1    |
| 23   | 7" Lg. Heat Riser Tube                  | 92182    | 1    | 50   | Carb. Link. Bellcrank Rod        | 91637    | 1    |
| 24   | Winter/Summer Lever Assy.               | 91994    | 1    | 51   | A/L Gov. Lever Bellcrank Spring  | 91649    |      |
| 25   | Summer/Winter Valve Guide Plate         | 91992    | 1    | 52   | Breather Tube                    | 91645    | 1    |
| 26   | Choke Assy. Bracket                     | 91641    | 1    | 53   | M6 Flat Washer                   | 22473    | 4    |
| 27   | Choke Solenoid Assy.                    | 91306    | 1    | 54   | M6 Flat Washer                   | 22097    | 2    |
|      |   |          |      | 55   | .26 I.D. Washer Spring           | A4009    | 1    |