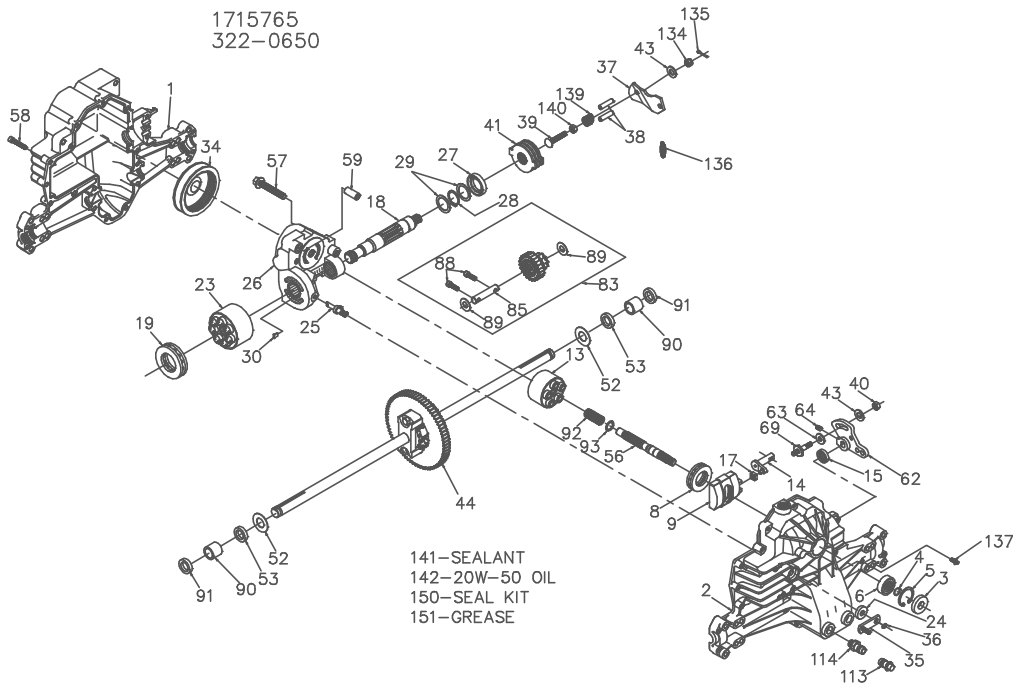


1715765
322-0650



Hydro-Gear
P.1 of 2. 70268-55

1715765
322-0650

ITEM NO	HYDRO-GEAR PART NO	QTY	DESCRIPTION	ITEM NO	HYDRO-GEAR PART NO	QTY	DESCRIPTION
1	5007ARM	1	HOUSING, LOWER	43	44130	2	WASHER-7/16 X 7/8 X .060
2	70255	1	ASSEMBLY, UPPER HOUSING	44	70226	1	DIFFERENTIAL ASSEMBLY
		1	HOUSING, UPPER			1	GEAR-DIFF. 50T
		1	BEARING-TRUNNION JOURNAL			2	DIFF. HOUSING
3	9008000-0128	1	SEAL-LIP			2	GEAR-BEVEL 14T
4	2003016	1	RING-WIRE RETAINING			2	GEAR-PLANET 10T
5	2003052	1	RING-RETAINING			2	RING-RETAINING
6	2003043	1	BEARING-SHAFT BALL			2	BOLT- DIFF. LOCKING
8	50551	1	BEARING-THRUST 30X52X13			1	AXLE SHAFT, RH
9	2003087	1	SWASHPLATE-VARIABLE			1	AXLE SHAFT, LH
13	70331	1	BLOCK-CYLINDER ASS'Y.			1	SPACER-DIFF.
		5	BLOCK-CYLINDER			2	WASHER-3/4 X 1.5 X .13
		5	PISTON			2	SEAL-.75 X 1.25 X .250
		5	PISTON SPRING			1	SHAFT-INPUT
		5	PISTON SPRING WASHER			3	BOLT, 3/8-24 X 2.5
14	2003005	1	ARM-TRUNNION			21	BOLT- 1/4-20 X 1.38
15	9008000-0126	1	SEAL-LIP			2	PIN-.5 00 X .43 ID X .750
17	2000016	1	GUIDE-SLOT			1	ARM-CONTROL
18	50449	1	SHAFT-MOTOR			1	PUCK-DAMPENER
19	50552	1	BEARING-THRUST 42X68X16			64	SET SCREW
23	70082	1	BLOCK-CYLINDER (MOTOR) ASSY			69	5/16-24 STUD
		1	BLOCK-CYLINDER			83	70292
		7	PISTON			1	JACK SHAFT/PINION GEAR ASSEMBLY
		7	PISTON SPRING			1	JACK SHAFT
		7	PISTON SPRING WASHER			1	JACK SHAFT
24	45074	1	SEAL-LIP 10X26X7			1	17T-23T CLUSTER ASSEMBLY
25	2003555	1	ACTUATOR-BYPASS			1	CLUSTER ASSEMBLY
26	70250	1	CENTERSECTION ASSEMBLY			2	CAPSCREW 6M X 20 LG
		2	PLATE-BYPASS			2	WASHER 7/16 X 1 X .5
		2	CHECK PLUG ASSEMBLY			1	JACK SHAFT
		1	CENTER SECTION			88	50154
		1	DI BEARING			2	CAPSCREW 6M X 20 LG
		3	BOLT-3/8-24 X 2.5			2	WASHER 7/16 X 1 X .5
		1	BUSHING			2	SLEEVE BEARING
27	45075	1	SEAL-LIP 26X42X8			2	SEAL LIP 0.75X1.00X0.158
28	50007	1	RING-RETAINING			1	SPRING, BLOCK
29	44872	2	WASHER-26X35X1			1	WASHER, BLOCK THRUST
30	2003554	1	BYPASS PLATE			1	CAP-VALVE ASSEMBLY
34	44964	1	OIL FILTER ELEMENT			1	CAP-PROPET VALVE
35	50126	1	ARM-BYPASS			1	PLASTIC VENT
36	44870	1	RING-RETAINING			1	FITTING-ORING ASSEMBLY
37	50130	1	ARM-ACTUATING			1	ORING
38	44891	2	PIN-ACTUATING			1	PLASTIC HOSE FITTING
39	50316	1	BOLT-5/16-18 X 1-3/4			1	CASTLE NUT, 5/16-24
40	50317	1	NUT-HEX LOCK 5/16-24			1	COTTER PIN
41	70135	4	BRAKE ROTOR/STATOR KIT			1	EXTENSION SPRING
		4	STATOR-BRAKE			1	SCREW, 10-32 X 1/2
		2	ROTOR-BRAKE			1	COMPRESSION SPRING
						1	NUT, HEX 5/16-24
						1	SEALANT
						81oz	20W-50 OIL
						1	SEAL KIT
						1	GREASE

Hydro-Gear
P.2 of 2. 70268-55