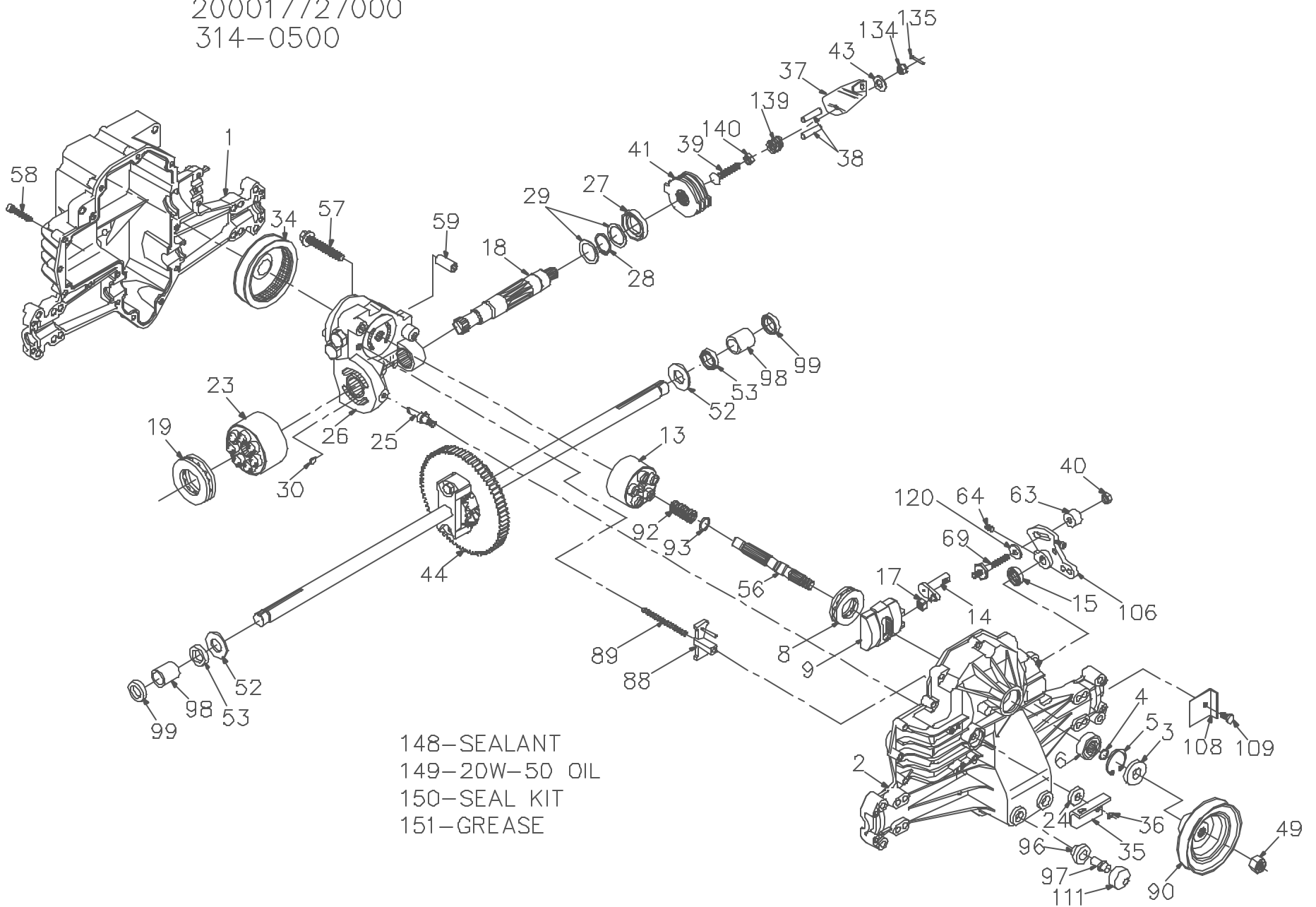


200017727000
314-0500



P.1 of 2. 70105-S14

200017727000
314-0500

ITEM NO	HYDRO-GEAR PART NO	QTY	DESCRIPTION	ITEM NO	HYDRO-GEAR PART NO	QTY	DESCRIPTION
1	44863RM	1	HOUSING, LOWER	39	50316	1	BOLT-5/16-24 X 2
2	70123	1	ASSEMBLY, UPPER HOUSING	40	50317	1	NUT-HEX LOCK 5/16-24 UNJC
		1	UPPER HOUSING	41	70135	1	BRAKE ROTOR/STATOR KIT
		1	TRUNNION JOURNAL BEARING			4	BRAKE STATOR
		1	PIN			2	BRAKE ROTOR
3	9008000-0128	1	SEAL-LIP	43	44130	1	WASHER-7/16 X 7/8 X .060
4	2003016	1	RING-WIRE RETAINING	44	70127	1	DIFFERENTIAL ASSEMBLY
5	2003052	1	RING-RETAINING			2	AXLE SHAFT
6	2003043	1	BEARING-SHAFT BALL			1	72T DIFFERENTIAL GEAR
8	50551	1	BEARING-THRUST 30X52X13			2	DIFFERENTIAL HOUSING
9	2003087	1	SWASHPLATE-VARIABLE			2	14T BEVEL GEAR
13	70331	1	BLOCK-CYLINDER ASS'Y.			2	10T PLANET GEAR
		1	BLOCK-CYLINDER			2	RETAINING RING
		5	PISTON			2	DIFFERENTIAL LOCKING BOLT
		5	PISTON SPRING			1	DIFFERENTIAL SPACER
		5	PISTON SPRING WASHER	49	44133	1	NUT, HEX HEAD JAM 1/2-20
14	2003005	1	ARM-TRUNNION	52	44875	2	WASHER-3/4 X 1.5 X .13
15	9008000-0126	1	SEAL-LIP	53	45076	2	SEAL-.75 X 1.25 X .250
17	50123	1	GUIDE-SLOT	56	50005	1	SHAFT-INPUT
18	50449	1	SHAFT-MOTOR	57	50016	3	BOLT, 3/8-24 X 2.5
19	50552	1	BEARING-THRUST 42X68X16	58	44876	20	BOLT- 1/4-20 X 1.38
23	70082	1	BLOCK-CYLINDER ASS'Y.	59	50002	2	PIN-.5 OD X .43 ID X .750
		1	BLOCK-CYLINDER	63	50278	1	SPACER
		7	PISTON	64	50018	1	SET SCREW
		7	PISTON SPRING	69	50284	1	5/16-24 STUD
		7	PISTON SPRING WASHER	88	50148	1	LEVELER
24	45074	1	SEAL-LIP 10X25X7	89	50149	1	SPRING, LEVELER
25	2003555	1	ACTUATOR-BYPASS	90	50122	1	PULLEY
26	70134	1	CENTERSECTION ASSEMBLY KIT	92	2003014	1	SPRING, BLOCK
		1	BYPASS PLATE	93	2003017	1	WASHER, BLOCK THRUST
		2	BALL	96	50133	1	BUSHING, VENT
		1	CHECK VALVE PLATE	97	50134	1	VENT
		4	SOCKET HEAD CAP SCREW	98	50137	2	SLEEVE BEARING
		1	CENTERSECTION	99	50941	2	SEAL, LIP 0.75X1.00X0.158
		3	BOLT, 3/8-24 X 2.5	106	70424	1	CONTROL ARM ASSEMBLY
		2	NEUTRAL VALVE			1	ARM-CONTROL
		1	DU BEARING			1	SET SCREW
		1	MOTOR SHAFT			1	SCREW, SPEED ADJUSTMENT
		2	SPRING, HELICAL COMP.	108	50176	1	STOP, BRAKE
27	45075	1	SEAL-LIP 26X42X8	109	50186	1	SCREW, 1/4-20 X 1/2
28	50007	1	RING-RETAINING	111	50196	1	CAP, VENT
29	44872	2	WASHER-26X35X1	120	50281	1	PUCK, FRICTION
30	2003554	1	BYPASS PLATE	134	44142	1	SLOTTED NUT
34	44964	1	OIL FILTER ELEMENT	135	44101	1	COTTER PIN
35	50177	1	ARM-BYPASS	139	50431	1	COMPRESSION SPRING
36	44870	1	RING-RETAINING	140	50269	1	NUT, HEX 5/16-24
37	50127	1	ARM-ACTUATING	148	50928	1	SEALANT
38	44891	2	PIN-ACTUATING	149		77oz	20W-50 OIL
				150	70312	1	SEAL KIT
				151	50416	1	GREASE



P.2 of 2. 70105-S14