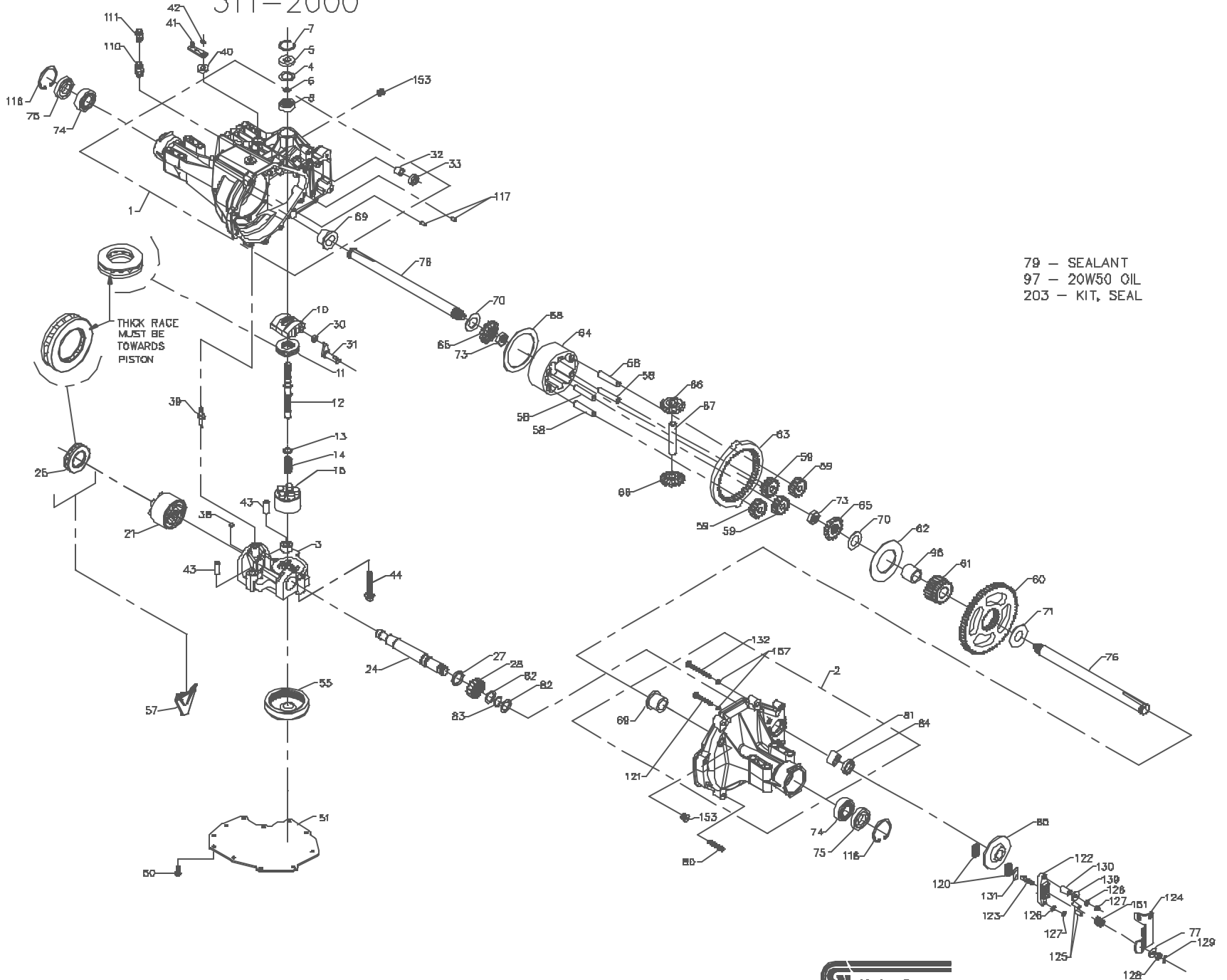


K1132-11112  
311-2000



79 - SEALANT  
97 - 20W50 OIL  
203 - KIT, SEAL

K1132-11112  
311-2000

ITEM #	PART #	QTY	DESCRIPTION	ITEM #	PART #	QTY	DESCRIPTION	ITEM #	PART #	QTY	DESCRIPTION
1	70433	1	HOUSING, MAIN ASSEMBLY	57	50796	1	RETAINER, MOTOR BEARING	157	50977	2	O-RING .070X.239
		1	HOUSING, MAIN	58	50776	4	PIN, CARRIER	203	70492	1	KIT, SEAL
		2	BEARING, CRADLE	59	50763	4	GEAR, 15T PLANET				
		1	BUSHING, TRUNNION	60	50646	1	GEAR, 67T SPUR				
		1	SEAL, LIP12X25X7	61	50645	1	GEAR, 21 TOOTH SUN				
2	70298	1	BEARING, FLANGE	62	50769	1	PLATE, PLANET THRUST				
		1	HOUSING, R.H. ASSEMBLY	63	50764	1	GEAR, 51T RING				
		1	HOUSING, R.H.	64	50765	1	CARRIER, PLANETARY				
		1	BEARING, FLANGE	65	50647	2	GEAR, MITER DIFF. (SPLINED)				
		2	O-RING .070X.239	66	50648	2	GEAR, MITER DIFF.				
		1	BOLT, 2" RIB NECK	67	50766	1	SHAFT, DIFFERENTIAL				
		1	BOLT, 3" RIB NECK	68	50767	1	PLATE, DIFF. THRUST				
		1	BEARING, NEEDLE .875X1.125X.750	69	50768	2	BEARING, FLANGE				
		1	SEAL, LIP .875X1.375X.250	70	50770	2	WASHER 1.0X1.75X.04				
3	70405	1	CENTER SECTION ASSEMBLY	71	50788	1	WASHER 1.0X2.25X.04				
		1	CENTER SECTION	73	50791	2	NUT, HEX JAM 5/8-18				
		1	BUSHING .90x1.02x.75	74	50771	2	BEARING, BALL 25.4X52X15				
		2	CHECK PLUG ASSEMBLY	75	50772	2	SEAL 1.000X2.049X.375				
		1	SPACER	76	50663	2	SHAFT, AXLE				
4	2003018	1	SEAL, LIP 15x35x7	77	44130	1	WASHER .34x.88x.06				
5	9008000-0128	1	RING, WIRE RETAINING	79	50928	1	SEALANT				
6	2003016	1	RING, WIRE RETAINING	80	50868	9	SCREW, TORX HEAD 5/16-18				
7	2003052	1	RING, RETAINING	81	44752	1	BEARING, NEEDLE .875X1.125X.750				
8	2003043	1	BEARING, BALL 15X25X11	82	50777	2	WASHER .88x1.25x.04				
10	2003087	1	SWASHPLATE, VARIABLE	83	50775	1	RING, RETAINING				
11	50551	1	BEARING, THRUST 30X52X13	84	50773	1	SEAL, LIP .875X1.375X.250				
12	50005	1	SHAFT, INPUT	85	50779	1	DISK, BRAKE				
13	2003017	1	WASHER, BLOCK THRUST	96	50866	1	BEARING, SLEEVE 1.0X1.31X1.34				
14	2003014	1	SPRING, BLOCK	97		126.7oz	20W-50 OIL				
15	70331	1	BLOCK, 10cc CYLINDER ASSEMBLY	110	70110	1	FITTING, O-RING ASS'Y				
		1	BLOCK, 10cc CYLINDER	111	70109	1	FITTING, PLASTIC HOSE				
		5	PISTON, 10cc				O-RING				
		5	SPRING, 10cc PISTON	116	50859	2	RING, RETAINING				
		5	WASHER, PISTON SEAT	117	9004800-2506	2	PIN, STD HDLS				
21	70082	1	BLOCK, 21cc CYLINDER ASSEMBLY	120	44132	2	PUCK, BRAKE				
		1	BLOCK, 21cc CYLINDER	121	50874	1	BOLT, 2" RIB NECK				
		7	WASHER, PISTON SEAT	122	50879	1	YOKE, BRAKE				
		7	PISTON, 21cc	123	44138	1	BOLT, SQUARE HEAD				
		7	SPRING, 21cc PISTON	124	50911	1	ARM, BRAKE				
24	50862	1	SHAFT, OUTPUT	125	44127	2	PINS, BRAKE				
25	50552	1	BEARING, THRUST 42X68X16	126	43177	2	LOCKWASHER, 1/4"				
27	50774	1	SPACER	127	43178	2	NUT 1/4-20				
28	50661	1	GEAR, 16T PINION	128	44142	1	NUT, CASTLE				
30	2000015	1	GUIDE, SLOT	129	44101	1	PIN, COTTER				
31	2003005	1	ARM, TRUNNION	130	23711	1	SPACER				
32	2003009	1	BUSHING, TRUNNION	131	44134	1	PLATE, PUCK				
33	9008000-0126	1	SEAL, LIP 12X25X7	132	50865	1	BOLT, 3" RIB NECK				
38	2003554	1	PLATE, BYPASS	139	44278	1	WASHER, .875X.265X.125				
39	2003555	1	ACTUATOR, BYPASS	151	50919	1	SPRING, COMP. BRAKE ANTI-Drag				
40	45074	1	SEAL, LIP 10X25X7	153	9005110-5600	2	PLUG, STRAIGHT THREAD				
41	50126	1	ARM, BYPASS								
42	4487D	1	RING, RETAINING								
43	50002	2	PIN								
44	50016	3	SCREW 3/8-24X2.5								
50	50752	11	SCREW 1/4-20X.75								
51	51128	1	COVER, LOWER								
55	50990	1	FILTER								