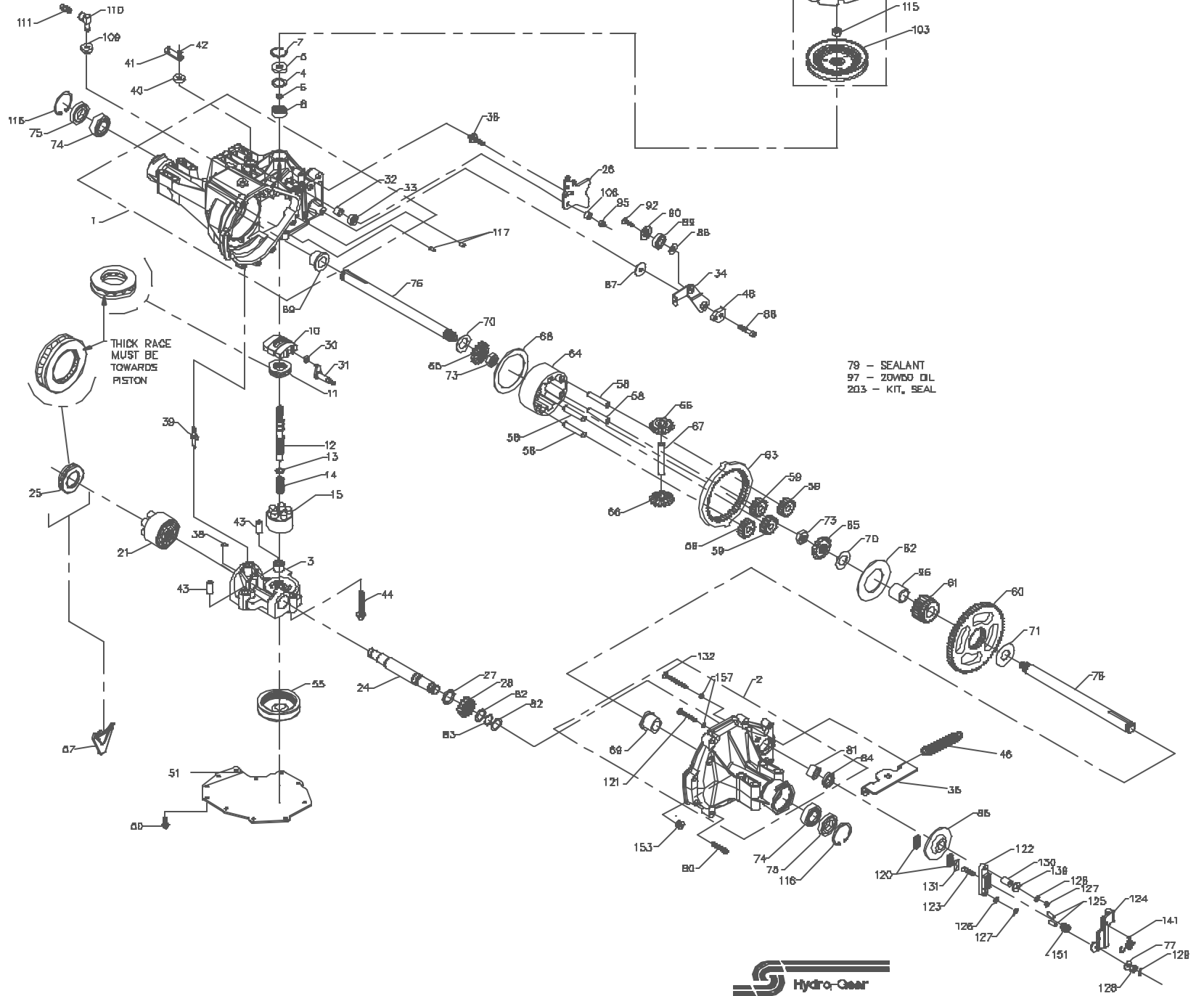


104-2465
312-2000



Hydra-Gear
P.1 of 2. 70585-S2

104-2465
312-2000

ITEM #	PART #	QTY	DESCRIPTION	ITEM #	PART #	QTY	DESCRIPTION	ITEM #	PART #	QTY	DESCRIPTION
1	70297	1	MAIN HOUSING ASSEMBLY	34	51257	1	RETURN ARM	111	70109	1	CAP-VENT ASSEMBLY
		1	MAIN HOUSING	35	51243	1	BRACKET, BELL CRANK			1	PLASTIC VENT
		1	LIP SEAL	36	50426	1	5/16-24 STUD			1	CAP-VENT
		1	FLANGE BEARING	38	2003554	1	BYPASS PLATE	115	44133	1	HEX NUT 1/2-20
		1	TRUNNION BUSHING	39	2003555	1	BYPASS ACTUATOR	116	50859	2	RETAINING RING
2	70300	2	CRADLE BEARING					117	9004800-2506	2	STD HDLS PIN
		1	R.H. HOUSING ASSEMBLY	40	45074	1	LIP SEAL	120	44132	2	PUCK, BRAKE
		1	R.H. HOUSING	41	50270	1	BYPASS ARM	121	50874	1	RIB NECK BOLT, 2"
		1	FLANGE BEARING	42	44870	1	RETAINING RING	122	50879	1	BRAKE YOKE
		2	O RING	43	50002	2	PIN	123	44138	1	BOLT, SQUARE HEAD
		1	RIB NECK BOLT, 2"	44	50016	3	SCREW	124	51361	1	ARM, BRAKE
		1	RIB NECK BOLT, 3"	46	51199	1	RETURN SPRING	125	44127	2	PINS, BRAKE
		1	NEEDLE BEARING (SCE1412)	48	51097	1	ADJUSTING PUCK	126	43177	2	LOCKWASHER, 1/4"
		1	LIP SEAL (.875I.D.x.1.30.D.x.25)	50	50752	11	SCREW, 1/4-20 X .75	127	43178	2	NUT, 1/4-20
3	70564	1	KIT, CENTER SECTION	51	51128	1	LOWER COVER	128	44142	1	NUT, CASTLE
		1	CENTER SECTION	55	50990	1	FILTER	129	44101	1	COTTER PIN
		1	BUSHING	57	50796	1	RETAINER, MOTOR BEARING	130	23711	1	SPACER
		1	NO BLEED CHECK PLUG ASSEMBLY	58	50776	4	PIN, CARRIER	46	51199	1	RETURN SPRING
		1	.027 BLEED CHECK PLUG ASSEMBLY	59	50763	4	15T PLANET GEAR	131	44134	1	PUCK PLATE
4	2003018	1	SPACER	60	50646	1	67T SPUR GEAR	132	50865	1	RIB NECK BOLT, 3"
5	9008000-0128	1	SEAL-LIP	61	50645	1	21 TOOTH SUN GEAR	139	44278	1	WASHER, 7/80D X .265ID X .125 THK
6	2003016	1	WIRE RETAINING RING	62	50769	1	PLANET THRUST PLATE	141	50884	1	SPRING, BRAKE ARM BIAS
7	2003052	1	RETAINING RING	63	50764	1	51T RING GEAR	151	50919	1	COMP. SPRING, BRAKE ANTI-Drag
8	2003043	1	BALL BEARING	64	50765	1	PLANETARY CARRIER	153	9005110-5800	1	PLUG, STRAIGHT THREAD
10	2003087	1	VARIABLE SWASHPLATE	65	50647	2	MITER GEAR, DIFF. (SPLINED)	155	70489	1	KIT, FAN/PULLEY
11	50551	1	THRUST BEARING 30 X 52 X 13	66	50648	2	MITER GEAR, DIFF.			1	PULLEY
12	50005	1	INPUT SHAFT	67	50766	1	SHAFT, DIFFERENTIAL			1	FAN
13	2003017	1	BLOCK THRUST WASHER	68	50767	1	DIFF. THRUST PLATE			3	SCREW
14	2003014	1	BLOCK SPRING	69	50768	2	FLANGE BEARING			1	HEX NUT 1/2-20
15	70331	1	10cc CYLINDER BLOCK ASSEMBLY	70	50770	2	WASHER	157	50977	2	O-RING, 0.070X0.239
		1	10cc CYLINDER BLOCK	71	50788	1	WASHER	203	70492	1	KIT, SEAL
		5	10cc PISTON	73	50791	2	HEX JAM NUT, 5/8-18				
		5	10cc PISTON SPRING	74	50771	2	BALL BRG 6205-1				
		5	PISTON SEAT WASHER	75	50772	2	SEAL 1"ID x 2.0472" x .375"				
21	70082	1	21cc CYLINDER BLOCK ASSEMBLY	76	50863	2	SHAFT, AXLE				
		1	21cc CYLINDER BLOCK	77	44130	1	WASHER				
		7	PISTON SEAT WASHER	79	50928	1	SEALANT				
		7	21cc PISTON	80	50868	9	TORX HEAD SCREW, 5/16-18				
		7	21cc PISTON SPRING	81	44752	1	NEEDLE BEARING (SCE1412)				
24	50662	1	OUTPUT (MOTOR) SHAFT	82	50777	2	WASHER				
25	50552	1	THRUST BEARING 42 X 68 X 16	83	50775	1	RETAINING RING				
26	51250	1	CONTROL ARM	84	50773	1	LIP SEAL (.875I.D.x.1.30.D.x.25)				
27	50774	1	SPACER	85	50779	1	BRAKE DISK				
28	50861	1	18T PINION GEAR	86	50132	1	WASHER .5 X 1.0 X .03				
30	2000015	1	SLOT GUIDE	87	50836	1	WASHER				
31	50807	1	TRUNNION ARM	88	50837	1	SCREW, 5/16-24 X 1-1/2				
32	2003009	1	TRUNNION BUSHING	89	44147	1	BEARING				
33	9008000-0126	1	LIP SEAL	90	51200	1	SPACER, LOCATING				
				92	50870	1	COUNTERSUNK SCREW				
				95	50108	1	HEX LOCK NUT 5/16-24				
				96	50866	1	SLEEVE BEARING				
				97		121.6oz	20W-50 OIL				
				103	51242	1	PULLEY				
				104	50848	1	FAN				
				106	50850	1	SPACER, TRUNNION				
				107	50851	3	SCREW				
				109	50133	1	BUSHING, RUBBER				
				110	50308	1	FITTING				

Hydra-Gear
P.2 of 2. 70565-S2