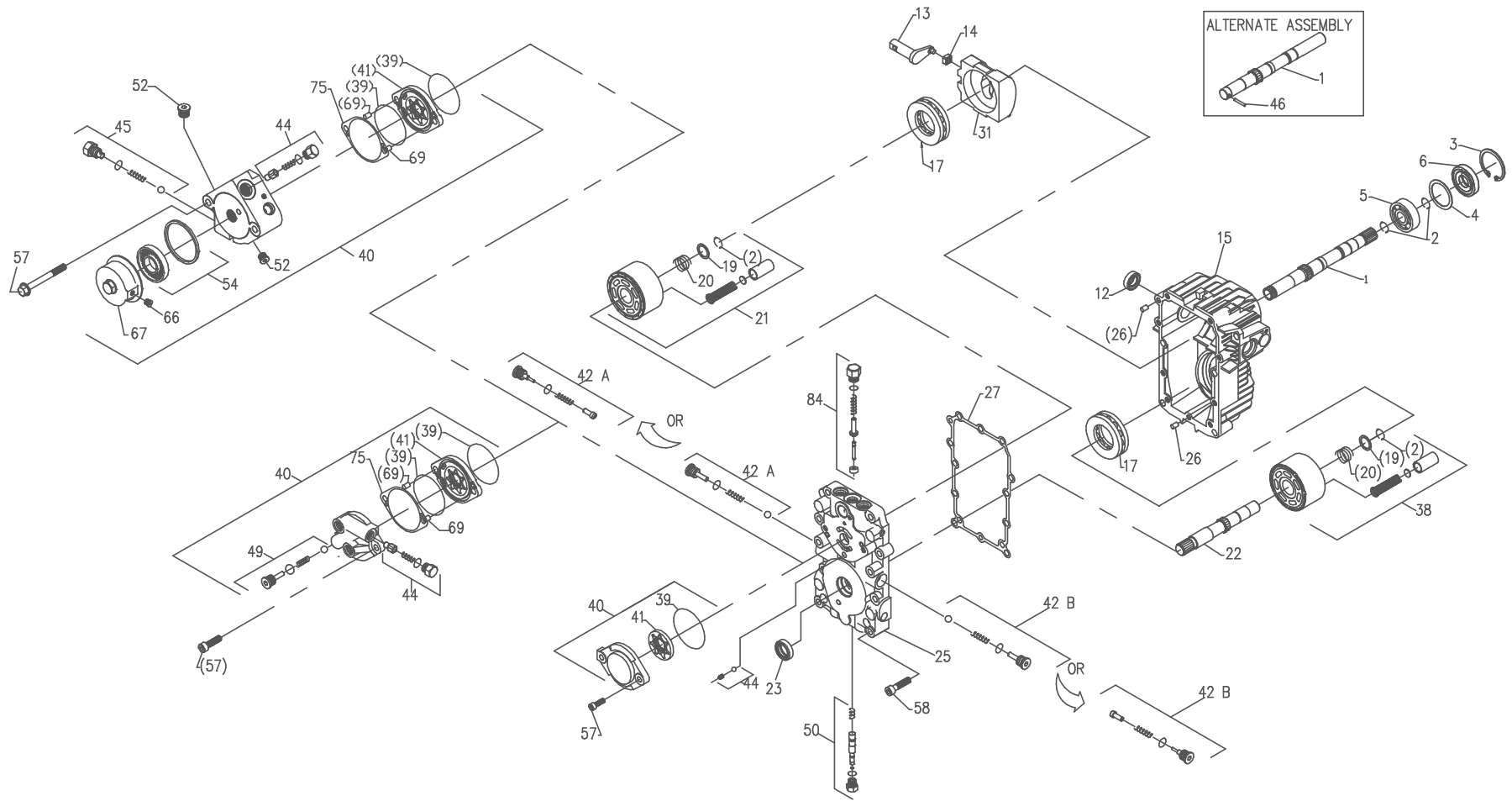


BDU-21L



#85-OVERHAUL SEAL KIT



BDU-21L

MODEL NO.	PUMP SHAFT (ITEM #1)	MOTOR SHAFT (ITEM #22)	HOUSING (KIT #15)	CENTER SECTION (KIT #25)	BYPASS VALVE (KIT #50)	CHECK VALVE(RH) (KIT #42A)	CHECK VALVE(LH) (KIT #42B)	CHARGE PUMP (KIT#40)	CHARGE RELIEF (KIT) #44)	TRUN -NION ARM	INPUT ROTA-TION	MODEL NO.
BDU-21L-110	2000006	2000007	2510043	2510019	2510012	2510008	2510008	2510056	2510011	LH	CCW	BDU-21L-110
BDU-21L-111	2000006	2000007	2510043	2510019	2510012	2610062	2510050	2510056	2510011	LH	CCW	BDU-21L-111
BDU-21L-112	2000006	2000007	2510043	2510047	2510012	26100650	2510027	2510056	2510011	LH	CW	BDU-21L-112
BDU-21L-200	2000006	2000007	2510095	2510019	2510012	2510008	2510008	2510056	2510011	RH	CW	BDU-21L-200
BDU-21L-201	2000006	2000054	2510095	2510019	2510012	2510027	2510027	2510056	2510011	RH	CCW	BDU-21L-201
BDU-21L-202	2000006	2000007	2510095	2510025	2510012	2510008	2510008	2510056	2510011	RH	CW	BDU-21L-202
BDU-21L-204	2000076	2000007	2510096	2510019	2510012	2510050	2510033	2510056	2510011	RH	CCW	BDU-21L-204
BDU-21L-206	2000006	2000007	2510042	2510025	2510012	2510050	2510033	2510056	2510011	RH	CW	BDU-21L-206
BDU-21L-207	2000006	2000007	2510095	2510019	2510012	2510008	2510027	2510056	2510011	RH	CW	BDU-21L-207
BDU-21L-208	2000076	2000007	2510096	2510047	2510012	2510050	2510033	2510056	2510011	RH	CCW	BDU-21L-208
BDU-21L-209	2000006	2000007	2510096	2510047	2510012	2510027	2510050	2510056	2510011	RH	CW	BDU-21L-209
BDU-21L-210	2000006	2000007	2510096	2510047	2510012	2510050	2510027	2510056	2510011	RH	CCW	BDU-21L-210
BDU-21L-300	50815	2000007	2510043	2510023	2510012	2510034	2510008	2510074	2510061	LH	CW	BDU-21L-300
BDU-21L-304	2000077	2000007	2510096	2510023	2510012	2510050	2510033	2510031	2510061	RH	CCW	BDU-21L-304
BDU-21L-305	50815	2000007	2510042	2510048	2510012	2510050	2510033	2510074	2510061	RH	CW	BDU-21L-305
BDU-21L-306	2000077	2000007	2510096	2510049	2510012	2510050	2510033	2510031	2510061	RH	CCW	BDU-21L-306
BDU-21L-310	50815	2000007	2510043	2510023	2510012	2510008	2510008	2510075	2510061	LH	CCW	BDU-21L-310
BDU-21L-311	50815	2000007	2510043	2510023	2510012	2510062	2510050	2510075	2510061	LH	CCW	BDU-21L-311
BDU-21L-500	50984	2000007	2510097	2510098	2510012	2510034	2510050	2510083	2510081	LH	CCW	BDU-21L-500
BDU-21L-501	509206	2000007	2510043	2510098	2510012	2510034	2510050	2510083	2510081	LH	CCW	BDU-21L-501



BDU-21L

ITEM #	HYDRO-GEAR PART #	DESCRIPTION
1	2000006	PUMP SHAFT(BLIND KEY, PIN DRIVE)-C
	2000076	PUMP SHAFT(19T SPLINE,PIN DRIVE)-B
	2000077	PUMP SHAFT(19T SPLINE,PIN DRIVE)-B
	50814	PUMP SHAFT (BLIND KEY, CHG.) -C
	50815	PUMP SHAFT (STD. KEY, CHG.) -A
	50816	PUMP SHAFT (19T SPLINE,CHG.) -B
	50984	PUMP SHAFT (KEY TAPR, CHG.) -D
2	2000022	WIRE RETAINING RING
3	2000038	RETAINING RING
4	2000023	SPACER
5	2000032	SHAFT BALL BEARING
6	51092	LIP SEAL 17 x 47 x 8
12	2000037	LIP SEAL 15 x 27 x 7
13	2000014	TRUNNION ARM
14	2000015	SLOT GUIDE
15	2510042	TRANS. HOUSING KIT(T-RH,JD-LH,D-TOP)
	2510043	TRANS. HOUSING KIT(T-LH,TD-RH/TOP)
	2510095	TRANS. HOUSING KIT(T-RH,JD-LH)
	2510096	TRANS. HOUSING KIT(T-RH,TD-LH)
	2510097	TRANS. HOUSING KIT(T-LH,TD-RH/TOP)
17	50552	THRUST BALL BEARING ASSEMBLY
19	2000024	BLOCK THRUST WASHER
20	2000025	BLOCK SPRING
21	2510014	CYL. BLOCK KIT (PUMP)
22	2000007	MOTOR SHAFT -A
	20000054	MOTOR SHAFT -B
23	9008000-0124	LIP SEAL 20 x 30 x 7 TC
25	2510019	CENTER SECTION KIT
	2510023	CENTER SECTION KIT
	2510025	CENTER SECTION KIT(EASI-RIDE)
	2510047	CENTER SECTION KIT
	2510048	CENTER SECTION KIT(EASI-RIDE)
	2510049	CENTER SECTION KIT
	2510098	CENTER SECTION KIT
26	50641	PIN
27	20000061	CENTER SECTION GASKET
31	50203	VARIABLE SWASHPLATE
38	2510013	CYL. BLOCK KIT(MOTOR)
39	9004100-1430	O RING

ITEM #	HYDRO-GEAR PART #	DESCRIPTION
40	2510022	CHARGE PUMP KIT -CW (PIN DR.)
	2510031	-CCW (PIN DR.)
	2510056	-STD (PIN DRIVE)
	2510074	-CW (SPLINED)
	2510075	-CCW (SPLINED)
	2510083	-1.19 AL AUX (SPLINED)
41	2000047	GEROTOR & HOUSING ASSEMBLY (AUX CHG - PINNED)
	50761	GEROTOR & HOUSING ASSEMBLY (AUX CHG - SPLINED)
	J1030731	GEROTOR ASSEMBLY (2.2cc/rev) (STD CHG - PINNED)
	50656	GEROTOR ASSEMBLY (2.2cc/rev) (STD CHG - SPLINED)
42	2510008	CHECK VALVE KIT 1/4" BALL
	2510027	CHECK VALVE KIT (0.031" ORIFICE)
	2510033	(0.088" ORIFICE)
	2510034	(0.044" ORIFICE)
	2510050	(BLANK)
	2510062	(0.024" ORIFICE)
44	2510081	CHARGE RELIEF KIT -AL AUX.(9/16 SAE VALVE PLUG)
	2510011	CHARGE RELIEF KIT -STD CHARGE
	2510061	CHARGE RELIEF KIT -CAST AUX (1/2 SAE VALVE PLUG)
45	2510082	AUX RELIEF VALVE KIT
46	9004875-0112	SPECIAL PIN (PINNED AUX)
	9004800-1213	PIN - STD HEADLESS (PINNED STD CHG)
49	2510020	AUX BYPASS/CHECK KIT
50	2510012	BYPASS VALVE KIT
52	9005110-4400	PLUG 7/16-20 (METAL)
54	2510090	AUXILIARY FILTER KIT
57	9007314-0805	CAP SCREW, SOCKET HEAD (STD CHARGE)
	9007314-0807	CAP SCREW, SOCKET HEAD (CAST IRON AUX)
	50969	FLANGE HD SCREW, M8 x 60 (AL AUX)
58	9007314-0808	SOC. HD CAP SCREW M8 x 35
66	9005110-3100	PLUG 5/16-24 SAE
67	50994	FILTER COVER
69	50408	PIN
75	2000044	CHARGE PUMP SHIM
84	2510021	EASY RIDE KIT
85	2510010	OVERHAUL SEAL KIT

