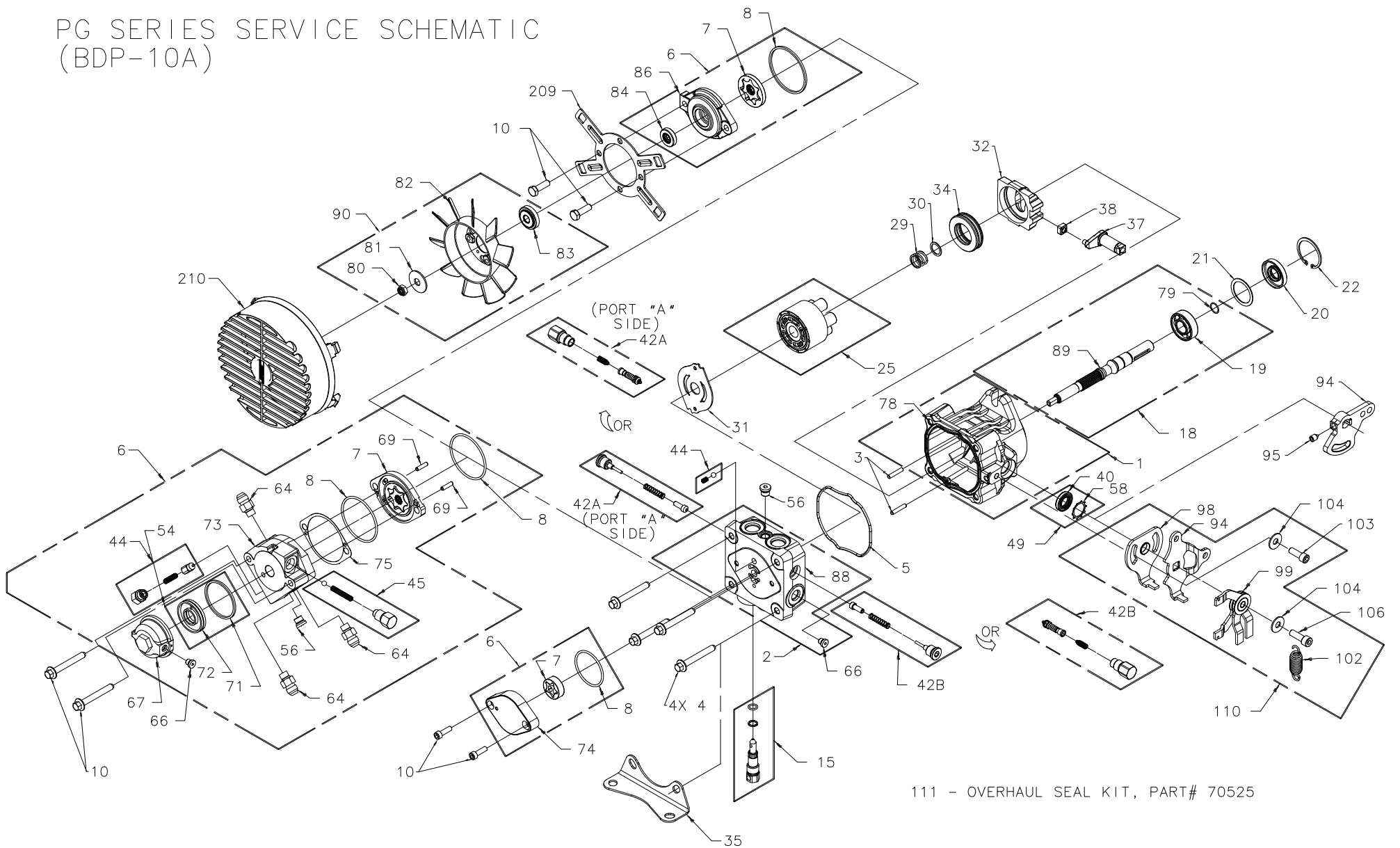


PG SERIES SERVICE SCHEMATIC (BDP-10A)



PG SERIES SERVICE SCHEMATIC (BDP-10A)

PG SERIES CROSS REFERENCE MATRIX

REFERENCE NO.	MODEL NO.	PUMP SHAFT KIT #18	HOUSING KIT #1	RTN KIT #110 OR #94	ENDCAP KIT #2	BYPASS VALVE KIT #15	CHECK VALVE, LH KIT #42B	CHECK VALVE, RH KIT #42A	TRUNNION ARM	CHARGE PUMP KIT #6	CHARGE RELIEF KIT #44	INPUT ROTATION	ADDITIONAL
BDP-10A-100	PG-1DQQ-DY1X-XXXX	70521	70516		70517	2513030	2510027	2510027	LH	2513027	70403	CW	
BDP-10A-101	PG-1DQP-DY1X-XXXX	70521	70516		70517	2513030	2510062	2510027	LH	2513027	70403	CW	
BDP-10A-102	PG-4DQQ-DZ1X-XXXX	70727	70516	SEE P. 8&9	70517	2513030	2510027	2510027	LH	2513027	70403	CW	
BDP-10A-103	PG-4DCC-DZ1X-XXXX	70727	70516	SEE P. 8&9	70517	2513030	70743	70743	LH	2513027	70403	CW	
BDP-10A-105	PG-1DCC-DA1X-XXXX	70521	SEE P. 8&9	SEE P. 8&9	70517	2513030	70743	70743	LH	2513027	70403	CW	
BDP-10A-107	PG-1DLL-DA1X-XXXX	70521	SEE P. 8&9	SEE P. 8&9	70517	2513030	70842	70842	LH	2513027	70403	CW	
BDP-10A-200	PG-1BQQ-DY1X-XXXX	70521	70516		70517	2513030	2510027	2510027	RH	2513027	70403	CW	
BDP-10A-201	PG-DAQQ-DY1X-XXXX	70523	70516		70517	2513030	2510027	2510027	RH	2513027	70403	CW	
BDP-10A-203	PG-1AQP-DY1X-XXXX	70521	70516		70517	2513030	2510062	2510027	RH	2513027	70403	CW	
BDP-10A-204	PG-4BQQ-DZ1X-XXXX	70727	70516	SEE P. 8&9	70517	2513030	2510027	2510027	RH	2513027	70403	CW	
BDP-10A-205	PG-4BCC-DZ1X-XXXX	70727	70516	SEE P. 8&9	70517	2513030	70743	70743	RH	2513027	70403	CW	
BDP-10A-207	PG-DACC-DY1X-XXXX	70523	70516		70517	2513030	70743	70743	RH	2513027	70403	CW	
BDP-10A-208	PG-DBJJ-DY1X-XXXX	70523	70516		70517	2513030	70840	70840	RH	2513027	70403	CW	
BDP-10A-209	PG-FBLL-NY1X-XXXX	70726	70516		70623	2513030	70842	70842	RH	70622	70403	CW	
BDP-10A-211	PG-1AEF-DY1X-XXXX	70521	70516		70517	2513030	70837	70836	RH	2513027	70403	CW	
BDP-10A-213	PG-1BCC-DA1X-XXXX	70521	SEE P. 8&9	SEE P. 8&9	70517	2513030	70743	70743	RH	2513027	70403	CW	
BDP-10A-214	PG-3BNQ-NY11-XXXX	70620	70516		70623	2513030	2510027	2510050	RH	70622	70403	CW	FAN 70793
BDP-10A-215	PG-1BEE-DY2X-XXXX	70521	70516		70517	2513031	70836	70836	RH	2513027	70403	CW	
BDP-10A-216	PG-3BHH-NY11-XXXX	70620	70516		70623	2513030	70839	70839	RH	70622	70403	CW	FAN 70793
BDP-10A-220	PG-1AQQ-DY1X-XXXX	70521	70516		70517	2513030	2510027	2510027	RH	2513027	70403	CW	
BDP-10A-290*		70521	70516		71012	2513030	71012	71012	RH	2513027	70403	CW	*MODEL OBSOLETE
SUPERSEDE WITH	PG-1AAA-DY1X-XXXX	70521	70516		70517	2513030	70741	70741	RH	2513027	70403	CW	
BDP-10A-292*		70521	70516		71013	2513030	71013	71013	RH	2513027	70403	CW	*MODEL OBSOLETE
SUPERSEDE WITH	PG-1BCC-DY1X-XXXX	70521	70516		70517	2513030	70743	70743	RH	2513027	70403	CW	
BDP-10A-293*		70523	70516		71012	2513030	71012	71012	RH	2513027	70403	CW	*MODEL OBSOLETE
SUPERSEDE WITH	PG-DBAA-DY1X-XXXX	70523	70516		70517	2513030	70741	70741	RH	2513027	70403	CW	
BDP-10A-294*		70726	70516		71014	2513030	71014	71014	RH	70622	70403	CW	*MODEL OBSOLETE
SUPERSEDE WITH	PG-FBCC-NY1X-XXXX	70726	70516		70623	2513030	70743	70743	RH	70622	70403	CW	FAN 70632 SEPARATE
BDP-10A-300	PG-1KQQ-DY1X-XXXX	70521	70516		70517	2513030	2510027	2510027	LH	2513027	70403	CCW	
BDP-10A-301	PG-DKQQ-DY1X-XXXX	70523	70516		70517	2513030	2510027	2510027	LH	2513027	70403	CCW	
BDP-10A-302	PG-DJQQ-DY1X-XXXX	70523	70516		70517	2513030	2510027	2510027	LH	2513027	70403	CCW	
BDP-10A-303	PG-1KRQ-DY1X-XXXX	70521	70516		70517	2513030	2510027	2510034	LH	2513027	70403	CCW	
BDP-10A-304	PG-1KNQ-DY1X-XXXX	70521	70516		70517	2513030	2510027	2510050	LH	2513027	70403	CCW	
BDP-10A-305	PG-1JQQ-DY1X-XXXX	70521	70516		70517	2513030	2510027	2510027	LH	2513027	70403	CCW	
BDP-10A-306	PG-3KQQ-NY1X-XXXX	70620	70516		70623	2513030	2510027	2510027	LH	70622	70403	CCW	
BDP-10A-307	PG-1KQQ-DY2X-XXXX	70521	70516		70517	N/A	2510027	2510027	LH	2513027	70403	CCW	
BDP-10A-308	PG-4KQQ-DY1X-XXXX	70727	70516		70517	2513030	2510027	2510027	LH	2513027	70403	CCW	
BDP-10A-309	PG-1JQN-DY1X-XXXX	70521	70516		70517	2513030	2510050	2510027	LH	2513027	70403	CCW	
BDP-10A-310	PG-3JQC-NY1X-XXXX	70620	70516		70623	2513030	70743	70743	LH	70622	70403	CCW	
BDP-10A-312	PG-3KCC-NY1X-XXXX	70620	70516		70623	2513030	70743	70743	LH	70622	70403	CCW	
BDP-10A-313	PG-DJCC-DY1X-XXXX	70523	70516		70517	2513030	70743	70743	LH	2513027	70403	CCW	
BDP-10A-314	PG-3KQQ-NA1X-XXXX	70620	SEE P. 8&9	SEE P. 8&9	70623	2513030	2510027	2510027	LH	70622	70403	CCW	
BDP-10A-316	PG-1KCC-DY1X-XXXX	70521	70516		70517	2513030	70743	70743	LH	2513027	70403	CCW	
BDP-10A-317	PG-1JBC-DY1X-XXXX	70521	70516		70517	2513030	70743	70742	LH	2513027	70403	CCW	
BDP-10A-318	PG-1KCC-DA1X-XXXX	70521	SEE P. 8&9	SEE P. 8&9	70517	2513030	70743	70743	LH	2513027	70403	CCW	
BDP-10A-319	PG-1JQQ-DY1X-XXXX	70521	70516		70517	2513030	2510027	2510027	LH	2513027	70403	CCW	
BDP-10A-320	PG-1KQQ-DA1X-XXXX	70521	SEE P. 8&9	SEE P. 8&9	70517	2513030	2510027	2510027	LH	2513027	70403	CCW	
BDP-10A-321	PG-1JFE-DY1X-XXXX	70521	70516		70517	2510030	70836	70837	LH	2513027	70403	CCW	
BDP-10A-323	PG-1KQQ-DB1X-XXXX	70521	SEE P. 8&9	SEE P. 8&9	70517	2513030	2510027	2510027	LH	2513027	70403	CCW	
BDP-10A-324	PG-1KRA-DY1X-XXXX	70521	70516		70517	2513030	70741	2510034	LH	2513027	70403	CCW	
BDP-10A-325	PG-1KQR-DY1X-XXXX	70521	70516		70517	2513030	2510034	2510027	LH	2513027	70403	CCW	
BDP-10A-326	PG-1KBB-DA1X-XXXX	70521	SEE P. 8&9	SEE P. 8&9	70517	2513030	70742	70742	LH	2513027	70403	CCW	
BDP-10A-327	PG-3KCC-NB12-XXXX	70620	SEE P. 8&9	SEE P. 8&9	70623	2513030	70743	70743	LH	70622	70403	CCW	FAN 70811
BDP-10A-329	PG-1KRA-DB1X-XXXX	70521	SEE P. 8&9	SEE P. 8&9	70517	2513030	70741	2510034	LH	2513027	70403	CCW	
BDP-10A-330*		70521	70516		71012	2513030	71012	71012	LH	2513027	70403	CCW	*MODEL OBSOLETE
SUPERSEDE WITH	PG-1KAN-DY1X-XXXX	70521	70516		70517	2513030	2510050	70741	LH	2513027	70403	CCW	
BDP-10A-331	PG-3KCC-NA1X-XXXX	70620	SEE P. 8&9	SEE P. 8&9	70623	2513030	70743	70743	LH	70622	70403	CCW	
BDP-10A-332	PG-1KJJ-DY1X-XXXX	70521	70516		70517	2513030	70840	70840	LH	2513027	70403	CCW	
BDP-10A-333	PG-1KCC-DC1X-XXXX	70521	SEE P. 8&9	SEE P. 8&9	70517	2513030	70743	70743	LH	2513027	70403	CCW	
BDP-10A-334	PG-3KDD-NV1X-XXXX	70620	SEE P. 8&9	SEE P. 8&9	70623	2513030	70744	70744	LH	70622	70403	CCW	
BDP-10A-360*		70521	70516		71013	2513030	71013	71013	LH	2513027	70403	CCW	*MODEL OBSOLETE
SUPERSEDE WITH	PG-1KQC-DY1X-XXXX	70521	70516		70517	2513030	70743	2510027	LH	2513027	70403	CCW	



PG SERIES SERVICE SCHEMATIC (BDP-10A)

REFERENCE NO.	MODEL NO.	PUMP SHAFT KIT #18	HOUSING KIT #1	RTN KIT #110 OR #94	ENDCAP KIT #2	BYPASS VALVE KIT #15	CHECK VALVE, LH KIT #42B	CHECK VALVE, RH KIT #42A	TRUNTON ARM	CHARGE PUMP KIT #6	CHARGE RELIEF KIT #44	INPUT ROTATION	ADDITIONAL
BDP-10A-361*		70521	70516		71013	2513030	71013	71013	LH	2513027	70403	CCW	*MODEL OBSOLETE
SUPERSEDE WITH	PG-1JQC-DY1X-XXXX	70521	70516		70517	2513030	70743	2510027	LH	2513027	70403	CCW	
BDP-10A-362*		70620	70516		71014	2513030	71014	71014	LH	70622	70403	CCW	*MODEL OBSOLETE
SUPERSEDE WITH	PG-3KQC-NY1X-XXXX	70620	70516		70623	2513030	70743	2510027	LH	70622	70403	CCW	FAN 70629 SEPARATE
BDP-10A-363*		70620	70516		71014	2513030	71014	71014	LH	70622	70403	CCW	*MODEL OBSOLETE
SUPERSEDE WITH	PG-3JQC-NY1X-XXXX	70620	70516		70623	2513030	70743	2510027	LH	70622	70403	CCW	FAN 70629 SEPARATE
BDP-10A-364*		70521	70516		71015	2513030	71015	71015	LH	2513027	70403	CCW	*MODEL OBSOLETE
BDP-10A-366*		70521	70516		71013	2513030	71013	71013	LH	2513027	70403	CCW	*MODEL OBSOLETE
SUPERSEDE WITH	PG-1JPC-DY1X-XXXX	70521	70516		70517	2513030	70743	2510062	LH	2513027	70403	CCW	
BDP-10A-390*		70521	70516		71013	2513030	71013	71013	LH	2513027	70403	CCW	*MODEL OBSOLETE
SUPERSEDE WITH	PG-1KCC-DY1X-XXXX	70521	70516		70517	2513030	70743	70743	LH	2513027	70403	CCW	
BDP-10A-400	PG-1HQQ-DY1X-XXXX	70521	70516		70517	2513030	2510027	2510027	RH	2513027	70403	CCW	
BDP-10A-401	PG-DHQQ-DY1X-XXXX	70523	70516		70517	2513030	2510027	2510027	RH	2513027	70403	CCW	
BDP-10A-402	PG-1HNP-DY1X-XXXX	70521	70516		70517	2513030	2510062	2510050	RH	2513027	70403	CCW	
BDP-10A-403	PG-1HRQ-DY1X-XXXX	70521	70516		70517	2513030	2510027	2510034	RH	2513027	70403	CCW	
BDP-10A-404	PG-1GQN-DY1X-XXXX	70521	70516		70517	2513030	2510050	2510027	RH	2513027	70403	CCW	
BDP-10A-405	PG-1HNO-DY1X-XXXX	70521	70516		70517	2513030	2510027	2510050	RH	2513027	70403	CCW	
BDP-10A-406	PG-DGQQ-DY1X-XXXX	70523	70516		70517	2513030	2510027	2510027	RH	2513027	70403	CCW	
BDP-10A-407	PG-1GNQ-DY1X-XXXX	70521	70516		70517	2513030	2510027	2510050	RH	2513027	70403	CCW	
BDP-10A-408	PG-1GQQ-DYZX-XXXX	70521	70516		70517	N/A	2510027	2510027	RH	2513027	70403	CCW	
BDP-10A-410	PG-3HQQ-NY1X-XXXX	70620	70516		70623	2513030	2510027	2510027	RH	70622	70403	CCW	
BDP-10A-411	PG-4HQQ-DY1X-XXXX	70727	70516		70517	2513030	2510050	2510027	RH	2513027	70403	CCW	
BDP-10A-413	PG-4GQQ-DY1X-XXXX	70727	70516		70517	2513030	2510027	2510027	RH	2513027	70403	CCW	
BDP-10A-414	PG-1GNP-DY1X-XXXX	70521	70516		70517	2513030	2510062	2510050	RH	2513027	70403	CCW	
BDP-10A-416	PG-3GQC-NY1X-XXXX	70620	70516		70623	2513030	70743	70743	RH	70622	70403	CCW	
BDP-10A-418	PG-1HCC-DY1X-XXXX	70521	70516		70517	2513030	70743	70743	RH	2513027	70403	CCW	
BDP-10A-419	PG-1GCC-DY1X-XXXX	70521	70516		70517	2513030	70743	70743	RH	2513027	70403	CCW	
BDP-10A-421	PG-1HQN-DY1X-XXXX	70521	70516		70517	2513030	2510050	2510027	RH	2513027	70403	CCW	
BDP-10A-423	PG-3HCC-NY1X-XXXX	70620	70516		70623	2513030	70743	70743	RH	70622	70403	CCW	
BDP-10A-424	PG-3HQQ-NA1X-XXXX	70620	SEE P. 8&9	SEE P. 8&9	70623	2513030	2510027	2510027	RH	70622	70403	CCW	
BDP-10A-426	PG-3GCC-NY1X-XXXX	70620	70516		70623	2513030	70743	70743	RH	70622	70403	CCW	
BDP-10A-427	PG-1GAB-DY1X-XXXX	70521	70516		70517	2513030	70742	70741	RH	2513027	70403	CCW	
BDP-10A-429	PG-1HBC-DY1X-XXXX	70521	70516		70517	2513030	70743	70742	RH	2513027	70403	CCW	
BDP-10A-430*		70521	70516		71012	2513030	71012	71012	RH	2513027	70403	CCW	*MODEL OBSOLETE
SUPERSEDE WITH	PG-1HAN-DY1X-XXXX	70521	70516		70517	2513030	2510050	70741	RH	2513027	70403	CCW	
BDP-10A-431*		70521	70516		71013	2513030	71013	71013	RH	2513027	70403	CCW	*MODEL OBSOLETE
SUPERSEDE WITH	PG-1HCQ-DY1X-XXXX	70521	70516		70517	2513030	2510027	70743	RH	2513027	70403	CCW	
BDP-10A-432*		70620	70516		71016	2513030	71016	71016	RH	70622	70403	CCW	*MODEL OBSOLETE
SUPERSEDE WITH	PG-3GAQ-NZ1X-XXXX	70620	70516	SEE P. 8&9	70623	2513030	2510062	70741	RH	70622	70403	CCW	FAN 70632 SEPARATE
BDP-10A-433*		70521	70516		71017	2513030	71017	71017	RH	2513027	70403	CCW	*MODEL OBSOLETE
SUPERSEDE WITH	PG-1CAP-DY1X-XXXX	70521	70516		70517	2513030	2510062	70741	RH	2513027	70403	CCW	



PG SERIES SERVICE SCHEMATIC (BDP-10A)

REFERENCE NO.	MODEL NO.	PUMP SHAFT KIT #18	HOUSING KIT #1	RTN KIT #110 OR #94	ENDCAP KIT #2	BYPASS VALVE KIT #15	CHECK VALVE, LH KIT #42B	CHECK VALVE, RH KIT #42A	TRUNNION ARM	CHARGE PUMP KIT #6	CHARGE RELIEF KIT #44	INPUT ROTATION	ADDITIONAL
BDP-10A-435	PG-1HCC-DA1X-XXXX	70521	SEE P. 8&9	SEE P. 8&9	70517	2513030	70743	70743	RH	2513027	70403	CCW	
BDP-10A-437	PG-1GQQ-DY1X-XXXX	70521	70516		70517	2513030	2510027	2510027	RH	2513027	70403	CCW	
BDP-10A-438	PG-1HQQ-DB1X-XXXX	70521	SEE P. 8&9	SEE P. 8&9	70517	2513030	2510027	2510027	RH	2513027	70403	CCW	
BDP-10A-439	PG-1GAC-DY1X-XXXX	70521	70516		70517	2513030	70743	70741	RH	2513027	70403	CCW	
BDP-10A-440	PG-1HCA-DY1X-XXXX	70521	70516		70517	2513030	70741	70743	RH	2513027	70403	CCW	
BDP-10A-441	PG-3HCC-NE1X-XXXX	70620	SEE P. 8&9	SEE P. 8&9	70623	2513030	70743	70743	RH	70622	70403	CCW	
BDP-10A-442	PG-3GCC-NZ12-XXXX	70620	70516		70623	2513030	70743	70743	RH	70622	70403	CCW	FAN 70811
BDP-10A-443	PG-1GQQ-DB1X-XXXX	70521	SEE P. 8&9	SEE P. 8&9	70517	2513030	2510027	2510027	RH	70622	70403	CCW	
BDP-10A-445	PG-1GCA-DY1X-XXXX	70521	70516		70517	2513030	70741	70743	RH	2513027	70403	CCW	
BDP-10A-446	PG-1HKK-DA1X-XXXX	70521	SEE P. 8&9	SEE P. 8&9	70517	2513030	70841	70841	RH	2513027	70403	CCW	
BDP-10A-447	PG-1HRA-DY1X-XXXX	70521	70516		70517	2513030	70741	2510034	RH	2513027	70403	CCW	
BDP-10A-448	PG-1HOR-DY1X-XXXX	70521	70516		70517	2513030	2510034	2510027	RH	2513027	70403	CCW	
BDP-10A-449	PG-1HBB-DA1X-XXXX	70521	SEE P. 8&9	SEE P. 8&9	70517	2513030	70742	70742	RH	2513027	70403	CCW	
BDP-10A-450	PG-1GEF-DY1X-XXXX	70521	70516		70517	2513030	70837	70836	RH	2513027	70403	CCW	
BDP-10A-451	PG-3HCC-NA12-XXXX	70621	SEE P. 8&9	SEE P. 8&9	70623	2513030	70743	70743	RH	70622	70403	CCW	FAN 70811
BDP-10A-452	PG-1HRA-DA1X-XXXX	70521	SEE P. 8&9	SEE P. 8&9	70517	2513030	70741	2510034	RH	2513027	70403	CCW	
BDP-10A-453	PG-1HEE-DY2X-XXXX	70521	70516		70517	2513031	70836	70836	RH	2513027	70403	CCW	
BDP-10A-454	PG-3HCC-NA1X-XXXX	70621	SEE P. 8&9	SEE P. 8&9	70623	2513030	70743	70743	RH	70622	70403	CCW	
BDP-10A-456	PG-1HQQ-DA1X-XXXX	70521	SEE P. 8&9	SEE P. 8&9	70517	2513030	2510027	2510027	RH	70622	70403	CCW	
BDP-10A-457	PG-3HDD-NV1X-XXXX	70620	SEE P. 8&9	SEE P. 8&9	70623	2513030	70744	70744	RH	70622	70403	CCW	
BDP-10A-458	PG-1HCC-DE1X-XXXX	70521	SEE P. 8&9	SEE P. 8&9	70517	2513030	70743	70743	RH	2513027	70403	CCW	
BDP-10A-460*		70521	70516		71013	2513030	71013	71013	RH	2513027	70403	CCW	*MODEL OBSOLETE
SUPERSEDE WITH	PG-1HQQ-DY1X-XXXX	70521	70516		70517	2513030	70743	2510027	RH	2513027	70403	CCW	
BDP-10A-461*		70521	70516		71013	2513030	71013	71013	RH	2513027	70403	CCW	*MODEL OBSOLETE
SUPERSEDE WITH	PG-1GQQ-DY1X-XXXX	70521	70516		70517	2513030	70743	2510027	RH	2513027	70403	CCW	
BDP-10A-462*		70620	70516		71014	2513030	71014	71014	RH	70622	70403	CCW	*MODEL OBSOLETE
SUPERSEDE WITH	PG-3HCC-NY1X-XXXX	70620	70516		70623	2513030	70743	2510027	RH	70622	70403	CCW	FAN 70629 SEPARATE
BDP-10A-463*		70620	70516		71014	2513030	71014	71014	RH	70622	70403	CCW	*MODEL OBSOLETE
SUPERSEDE WITH	PG-3GQC-NY1X-XXXX	70620	70516		70623	2513030	70743	2510027	RH	70622	70403	CCW	FAN 70629 SEPARATE
BDP-10A-464*		70521	70516		71015	2513030	71015	71015	RH	2513027	70403	CCW	*MODEL OBSOLETE
SUPERSEDE WITH	PG-1HPC-DY1X-XXXX	70521	70516		70517	2513030	70743	2510062	RH	2513027	70403	CCW	
BDP-10A-466*		70521	70516		71015	2513030	71015	71015	RH	2513027	70403	CCW	*MODEL OBSOLETE
SUPERSEDE WITH	PG-1HPC-DY1X-XXXX	70521	70516		70517	2513030	70743	2510062	RH	2513027	70403	CCW	
BDP-10A-490*		70521	70516		71013	2513030	71013	71013	RH	2513027	70403	CCW	*MODEL OBSOLETE
SUPERSEDE WITH	PG-1HCC-DY1X-XXXX	70521	70516		70517	2513030	70743	70743	RH	2513027	70403	CCW	
BDP-10A-600	PG-2CNN-HY1X-XXXX	70522	70516		70519	2513030	2510050	2510050	LH	70577	2510081	CW	
BDP-10A-701	PG-2BNN-HY1X-XXXX	70522	70516		70519	2513030	2510050	2510050	RH	70577	2510081	CW	
BDP-10A-703	PG-2ACC-HA1X-XXXX	70522	SEE P. 8&9	SEE P. 8&9	70519	2513030	70743	70743	RH	70577	2510081	CW	
BDP-10A-801	PG-2KCC-TC1X-XXXX	70522	SEE P. 8&9	SEE P. 8&9	70519	2513030	70743	70743	LH	TBD.	2510081	CCW	
BDP-10A-901	PG-2HCC-HY1X-XXXX	70522	70516		70519	2513030	70743	70743	RH	70577	2510081	CCW	
BDP-10A-902	PG-2HCC-UY1X-XXXX	70522	70516		70519	2513030	70743	70743	RH	70582	2510081	CCW	
BDP-10A-903	PG-2GCC-HA1X-XXXX	70522	SEE P. 8&9	SEE P. 8&9	70519	2513030	70743	70743	RH	70577	2510081	CCW	
BDP-10A-990*		70522	70516		71018	2513030	71018	71018	RH	70577	2510081	CCW	*MODEL OBSOLETE
SUPERSEDE WITH	PG-2HCC-HY1X-XXXX	70522	70516		70519	2513030	70743	70743	RH	70577	2510081	CCW	

PG SERIES SERVICE SCHEMATIC (BDP-10A)

MODEL NUMBER:

P	G
1	2

 -

*			
3	4	5	6

 -

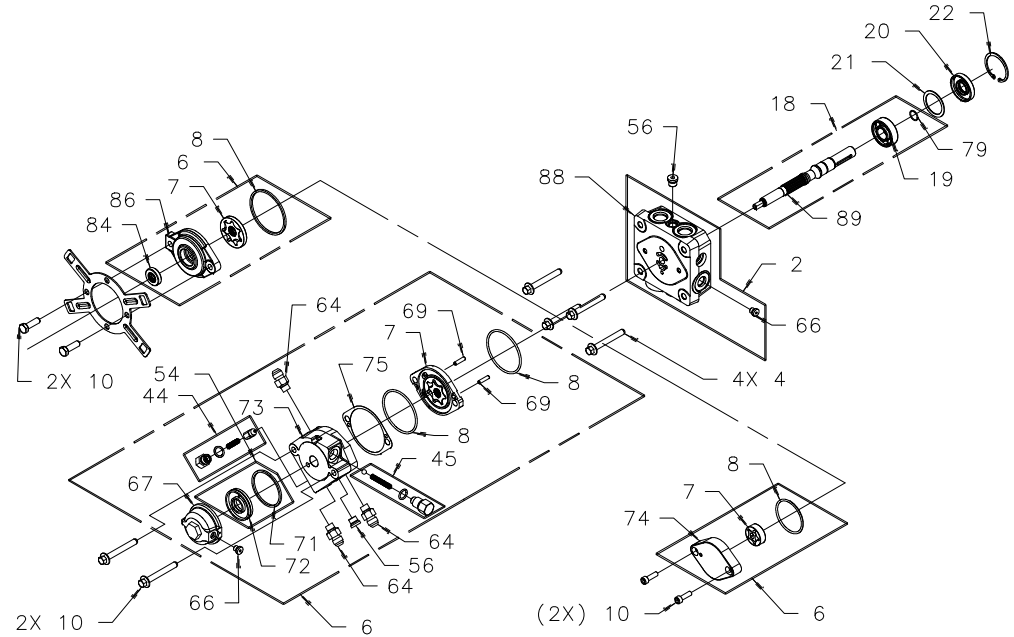
7	8	9	10

 -

11	12	13	14

END CAP AND INPUT SHAFT KITS

CHARACTER 3	ITEM #	COMPONENT #	DESCRIPTION	QTY	CONTAINS ITEMS:
A	2	70517	KIT, END CAP FOR POPPETS (STD CHG)	1	66,88
	6	2513027	KIT, CHG PUMP	1	7,8,74
	10	50975	CAPSCREW 6M X 1.0 X 25mm	2	10
	18	71262	KIT, PUMP SHAFT (5/8 STRAIGHT KEYED)	1	19,79,89
B	2	70519	KIT, END CAP FOR POPPETS (AUX CHG)	1	66,88
	6	SEE PAGE 7	DEPENDENT ON CHARACTER 7	1	SEE PAGE 7
	10	50969	HFHCS M8X1.25X60	2	10
	18	71249	KIT, PUMP SHAFT (5/8 KEYED, STD CHG)	1	19,79,89
C	45	2510082	KIT, AUX RELIEF VALVE	1	45
	2	70623	KIT, END CAP W/POPPETS, THRU (STD CHG)	1	66,88
	6	70622	KIT, CHG PUMP (STD CHG)	1	7,8,84,86
	10	9007200-3116	CAP SCREW 5/16-18	2	10
D	18	71250	KIT, PUMP SHAFT (5/8 KEYED, THRU)	1	19,79,89
	2	70517	KIT, END CAP FOR POPPETS (STD CHG)	1	66,88
	6	2513027	KIT, CHG PUMP	1	7,8,74
	10	50975	CAPSCREW 6M X 1.0 X 25mm	2	10
E	18	70523	KIT, PUMP SHAFT (9T 16/32)	1	19,79,89
	2	70519	KIT, END CAP FOR POPPETS (AUX CHG)	1	66,88
	6	SEE PAGE 7	DEPENDENT ON CHARACTER 7	1	SEE PAGE 7
	10	50969	HFHCS M8X1.25X60	2	10
F	18	70524	KIT, PUMP SHAFT (9T 16/32)	1	19,79,89
	45	2510082	KIT, AUX RELIEF VALVE	1	45
	2	70623	KIT, END CAP W/POPPETS, THRU (STD CHG)	1	66,88
	6	70622	KIT, CHG PUMP (STD CHG)	1	7,8,84,86
1	10	9007200-3116	CAP SCREW 5/16-18	2	10
	18	70726	KIT, PUMP SHAFT (9T 16/32 THRU)	1	19,79,89
	2	70517	KIT, END CAP FOR POPPETS (STD CHG)	1	66,88
	6	2513027	KIT, CHG PUMP	1	7,8,74
2	10	50975	CAPSCREW 6M X 1.0 X 25mm	2	10
	18	70521	KIT, PUMP SHAFT (15mm STRAIGHT KEYED)	1	19,79,89
	2	70519	KIT, END CAP FOR POPPETS (AUX CHG)	1	66,88
	6	SEE PAGE 7	DEPENDENT ON CHARACTER 7	1	SEE PAGE 7
3	10	50969	HFHCS M8X1.25X60	2	10
	18	70522	KIT, PUMP SHAFT (15mm STRAIGHT KEYED)	1	19,79,89
	45	2510082	KIT, AUX RELIEF VALVE	1	45
	2	70623	KIT, END CAP W/POPPETS, THRU (STD CHG)	1	66,88
4	6	70622	KIT, CHG PUMP (STD CHG)	1	7,8,84,86
	10	9007200-3116	CAP SCREW 5/16-18	2	10
	18	70620	KIT, PUMP SHAFT (15mm STRAIGHT KEYED, THRU)	1	19,79,89
	2	70517	KIT, END CAP FOR POPPETS (STD CHG)	1	66,88
5	6	2513027	KIT, CHG PUMP	1	7,8,74
	10	50975	CAPSCREW 6M X 1.0 X 25mm	2	10
	18	70727	KIT, PUMP SHAFT (15mm TAPERED, KEYED)	1	19,79,89
	2	70623	KIT, END CAP W/POPPETS, THRU (STD CHG)	1	66,88
5	6	70622	KIT, CHG PUMP (STD CHG)	1	7,8,84,86
	10	9007200-3116	CAP SCREW 5/16-18	2	10
	18	71252	KIT, PUMP SHAFT (15mm TAPERED KEY, THRU)	1	19,79,89



GENERIC PARTS LISTING (ALL MODELS)

ITEM #	COMPONENT #	DESCRIPTION	QTY
4	50969	HEX FLANGE BOLT M8-1.25 x 60mm LONG	4
20	51161	LIP SEAL 17 X 40 X 7 PTC	1
21	50951	SPACER	1
22	50329	RETAINING RING	1
56	9005110-4400	PLUG, STRAIGHT THREADED	1



PG SERIES SERVICE SCHEMATIC (BDP-10A)

MODEL NUMBER:

P	G
1	2

 -

		*	*
3	4	5	6

 -

7	8	9	10

 -

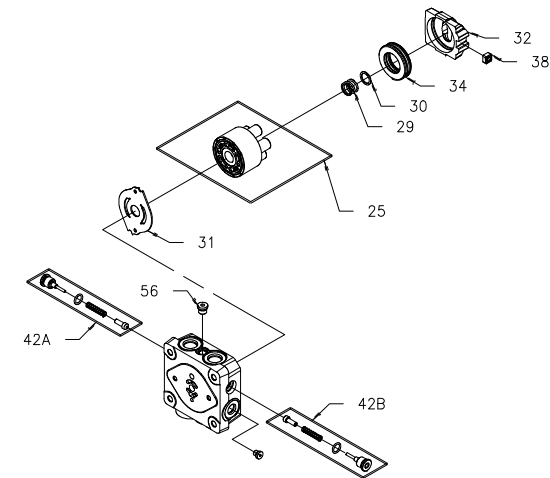
11	12	13	14

SHOCK VALVE KITS, *A* SIDE

CHARACTER 5	ITEM #	COMPONENT #	DESCRIPTION	QTY
A		70741	KIT, SHOCK VALVE (200 BAR, BLANK ORIFICE)	1
B		70742	KIT, SHOCK VALVE (200 BAR, .024 ORIFICE)	1
C		70743	KIT, SHOCK VALVE (200 BAR, .031 ORIFICE)	1
D		70744	KIT, SHOCK VALVE (200 BAR, .044 ORIFICE)	1
E		70836	KIT, SHOCK VALVE (160 BAR, BLANK ORIFICE)	1
F		70837	KIT, SHOCK VALVE (160 BAR, .024 ORIFICE)	1
G		70838	KIT, SHOCK VALVE (160 BAR, .031 ORIFICE)	1
H		70839	KIT, SHOCK VALVE (160 BAR, .044 ORIFICE)	1
J	42A	70840	KIT, SHOCK VALVE (120 BAR, BLANK ORIFICE)	1
K		70841	KIT, SHOCK VALVE (120 BAR, .024 ORIFICE)	1
L		70842	KIT, SHOCK VALVE (120 BAR, .031 ORIFICE)	1
M		70843	KIT, SHOCK VALVE (120 BAR, .044 ORIFICE)	1
N		2510050	KIT, CHECK VALVE (BLANK ORIFICE)	1
P		2510062	KIT, CHECK VALVE (.024 ORIFICE)	1
Q		2510027	KIT, CHECK VALVE (.031 ORIFICE)	1
R		2510034	KIT, CHECK VALVE (.044 ORIFICE)	1
T		71254	KIT, CHECK VALVE (.016 ORIFICE)	1

SHOCK VALVE KITS, *B* SIDE

CHARACTER 6	ITEM #	COMPONENT #	DESCRIPTION	QTY
A		70741	KIT, SHOCK VALVE (200 BAR, BLANK ORIFICE)	1
B		70742	KIT, SHOCK VALVE (200 BAR, .024 ORIFICE)	1
C		70743	KIT, SHOCK VALVE (200 BAR, .031 ORIFICE)	1
D		70744	KIT, SHOCK VALVE (200 BAR, .044 ORIFICE)	1
E		70836	KIT, SHOCK VALVE (160 BAR, BLANK ORIFICE)	1
F		70837	KIT, SHOCK VALVE (160 BAR, .024 ORIFICE)	1
G		70838	KIT, SHOCK VALVE (160 BAR, .031 ORIFICE)	1
H		70839	KIT, SHOCK VALVE (160 BAR, .044 ORIFICE)	1
J	42B	70840	KIT, SHOCK VALVE (120 BAR, BLANK ORIFICE)	1
K		70841	KIT, SHOCK VALVE (120 BAR, .024 ORIFICE)	1
L		70842	KIT, SHOCK VALVE (120 BAR, .031 ORIFICE)	1
M		70843	KIT, SHOCK VALVE (120 BAR, .044 ORIFICE)	1
N		2510050	KIT, CHECK VALVE (BLANK ORIFICE)	1
P		2510062	KIT, CHECK VALVE (.024 ORIFICE)	1
Q		2510027	KIT, CHECK VALVE (.031 ORIFICE)	1
R		2510034	KIT, CHECK VALVE (.044 ORIFICE)	1
T		71254	KIT, CHECK VALVE (.016 ORIFICE)	1



GENERIC PARTS LISTING (ALL MODELS)

ITEM #	COMPONENT #	DESCRIPTION	QTY
25	70331	CYLINDER BLOCK KIT	1
29	2003014	BLOCK SPRING	1
30	2003017	BLOCK THRUST WASHER	1
31	51444	VALVE PLATE	1
32	2003087	SWASHPLATE	1
34	50551	BALL THRUST BEARING	1
38	2000015	SLOT GUIDE	1
56	9005110-4400	PLUG 7/16-20 (METAL)	1



PG SERIES SERVICE SCHEMATIC (BDP-10A)

MODEL NUMBER:

P	G
---	---

 -

--	--	--	--

 -

*			
---	--	--	--

 -

--	--	--	--

 CHARACTER #:

1	2
---	---

 -

3	4	5	6
---	---	---	---

 -

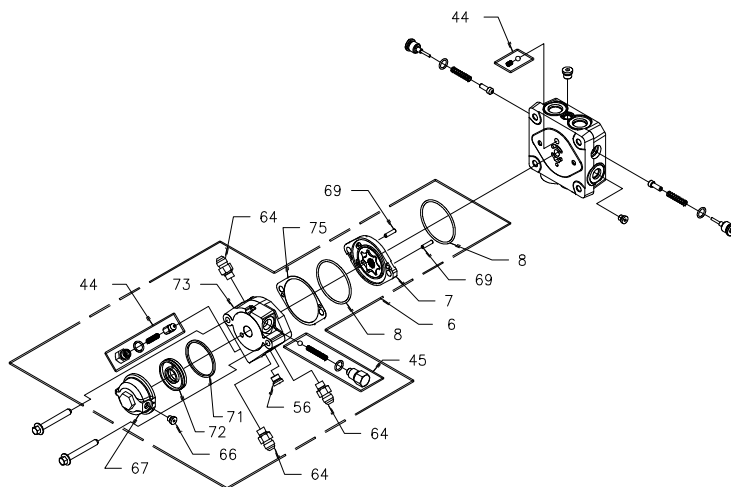
7	8	9	10
---	---	---	----

 -

11	12	13	14
----	----	----	----

CHARGE RELIEF AND AUXILIARY PUMP KITS

CHARACTER 7	ITEM #	COMPONENT #	DESCRIPTION	QTY	CONTAINS ITEMS:
D OR N	44	70403	KIT, CHARGE RELIEF VALVE	1	44
F OR W	44	70402	KIT, CHARGE RELIEF VALVE	1	44
H	6	70577	KIT, AUXILIARY PUMP (AL 15T SPLINED, 2-7/16 SAE PORTS)	1	7,8,44,45,56,64,66,67,69,71,72,73,75
	44	2510081	KIT, CHARGE RELIEF	1	44
T	6	70582	KIT, AUXILIARY PUMP (AL SPLINED, 9/16 TUBE FITTINGS)	1	7,8,44,45,56,64,66,67,69,71,72,73,75
	44	2510081	KIT, CHARGE RELIEF	1	44
U	6	70582	KIT, AUXILIARY PUMP (AL SPLINED, 9/16 TUBE FITTINGS)	1	7,8,44,45,56,64,66,67,69,71,72,73,75
	44	2510081	KIT, CHARGE RELIEF	1	44
5	6	70577	KIT, AUXILIARY PUMP (AL 15T SPLINED, 2-7/16 SAE PORTS)	1	7,8,44,45,56,64,66,67,69,71,72,73,75
	44	2510081	KIT, CHARGE RELIEF	1	44



PG SERIES SERVICE SCHEMATIC (BDP-10A)

MODEL NUMBER:

P	G
1	2

 -

3	4	5	6

 -

	*		
7	8	9	10

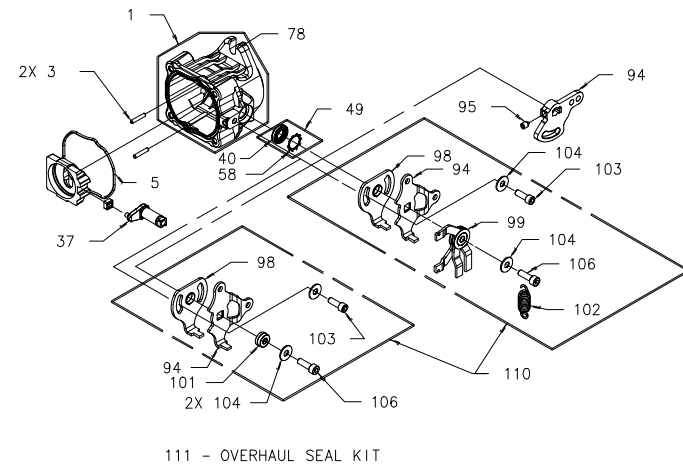
 -

11	12	13	14

TRUNNION ARM, HOUSING AND RETURN KITS

CHARACTER 8	ITEM #	COMPONENT #	DESCRIPTION	QTY	CONTAINS ITEMS:
A, B	1	71717	KIT, HOUSING	1	78
	37	52866	ARM, TRUNNION, TAPERED SQUARE	1	37
	102	52401	SPRING, LIGHT	1	102
	110	71716	KIT, RTN, STD SCISSOR, LIGHT SPRING	1	94,98,99,102,103,104,106
C, D	1	71717	KIT, HOUSING	1	78
	37	52866	ARM, TRUNNION, TAPERED SQUARE	1	37
	102	52401	SPRING, LIGHT	1	102
	110	71718	KIT, RTN, CW SCISSOR, LIGHT SPRING	1	94,98,99,102,103,104,106
E, F	1	71717	KIT, HOUSING	1	78
	37	52866	ARM, TRUNNION, TAPERED SQUARE	1	37
	102	52401	SPRING, LIGHT	1	102
	110	71719	KIT, RTN, CW SCISSOR, LIGHT SPRING	1	94,98,99,102,103,104,106
G, H	1	71717	KIT, HOUSING	1	78
	37	52866	ARM, TRUNNION, TAPERED SQUARE	1	37
	102	51605	SPRING, HVY	1	102
	110	71738	KIT, RTN, STD SCISSOR, HVY SPRING	1	94,98,99,102,103,104,106
J, K	1	71717	KIT, HOUSING	1	78
	37	52866	ARM, TRUNNION, TAPERED SQUARE	1	37
	102	51605	SPRING, HVY	1	102
	110	71739	KIT, RTN, CW SCISSOR, HVY SPRING	1	94,98,99,102,103,104,106
L, M	1	71717	KIT, HOUSING	1	78
	37	52866	ARM, TRUNNION, TAPERED SQUARE	1	37
	102	51605	SPRING, HVY	1	102
	110	71740	KIT, RTN, CW SCISSOR, HVY SPRING	1	94,98,99,102,103,104,106
N, P	1	71717	KIT, HOUSING	1	78
	37	52866	ARM, TRUNNION, TAPERED SQUARE	1	37
	102	51833	SPRING, MED	1	102
	110	71741	KIT, RTN, STD SCISSOR, MED SPRING	1	94,98,99,102,103,104,106
Q, R	1	71717	KIT, HOUSING	1	78
	37	52866	ARM, TRUNNION, TAPERED SQUARE	1	37
	102	51833	SPRING, MED	1	102
	110	71742	KIT, RTN, CW SCISSOR, MED SPRING	1	94,98,99,102,103,104,106
T, U	1	71717	KIT, HOUSING	1	78
	37	52866	ARM, TRUNNION, TAPERED SQUARE	1	37
	102	51833	SPRING, MED	1	102
	110	71743	KIT, RTN, CW SCISSOR, MED SPRING	1	94,98,99,102,103,104,106
V, W	1	71717	KIT, HOUSING	1	78
	37	52866	ARM, TRUNNION, TAPERED SQUARE	1	37
	110	71744	KIT, RTN, BASIC#1 CONTROL ARM	1	94,101,103,104,106
Y	1	70516	KIT, HOUSING	1	78
	37	2003005	ARM, TRUNNION, DOUBLE D	1	37
Z	1	70516	KIT, HOUSING	1	78
	37	2003005	ARM, TRUNNION, DOUBLE D	1	37
	94	45007	ARM, CONTROL	1	94
	95	50018	SCREW, SOCKET HEAD SET, 5/16-24 X .50	1	95
1	1	71717	KIT, HOUSING	1	78
	37	52866	ARM, TRUNNION, TAPERED SQUARE	1	37
	1	71717	KIT, HOUSING	1	78
2, 3	37	52866	ARM, TRUNNION, TAPERED SQUARE	1	37
	110	71745	KIT, RTN, BASIC#2 CONTROL ARM & STAT ARM	1	94,98,101,103,104,106
	1	71717	KIT, HOUSING	1	78
4, 7	37	52866	ARM, TRUNNION, TAPERED SQUARE	1	37
	102	51833	SPRING, MED	1	102
	110	71747	KIT, RTN, CW SLOTTED SCISSOR, MED SPRG	1	94,98,99,102,103,104,106
5, 6	1	71717	KIT, HOUSING	1	78
	37	52866	ARM, TRUNNION, TAPERED SQUARE	1	37
	102	51833	SPRING, MED	1	102
110	71746	KIT, RTN, CW SLOTTED SCISSOR, MED SPRG	1	94,98,99,102,103,104,106	

FOR MODELS BUILT ON OR AFTER JAN. 01, 2008 [SN 8001PXXXXX]**
[FOR UNITS BUILT BEFORE JAN. 01, 2008 SEE NEXT PAGE]



GENERIC PARTS LISTING (ALL MODELS)

ITEM #	COMPONENT #	DESCRIPTION	QTY	CONTAINS ITEMS:
3	50641	STRAIGHT HEADLESS PIN	2	3
5	52629	HOUSING O-RING	1	5
49	2513043	TRUNNION SEAL / RETAINER KIT	1	40,58
111	70525	OVERHAUL SEAL KIT	1	111

** NOTE: HOW TO READ BAR CODE LABEL SERIAL NUMBER DATE CODE
EX. 8XXXPXXXX CHARACTER 1 = YEAR(2008), CHARACTERS 2, 3, & 4 ARE
1234
JULIAN DATE CODE 001 THRU 365 (001 = JAN 1; 032 = FEB 1; 365 = DEC 31)



PG SERIES SERVICE SCHEMATIC (BDP-10A)

MODEL NUMBER:

P	G
---	---

 -

--	--	--	--

 -

	*		
--	---	--	--

 -

--	--	--	--

 CHARACTER #:

1	2
---	---

 -

3	4	5	6
---	---	---	---

 -

7	8	9	10
---	---	---	----

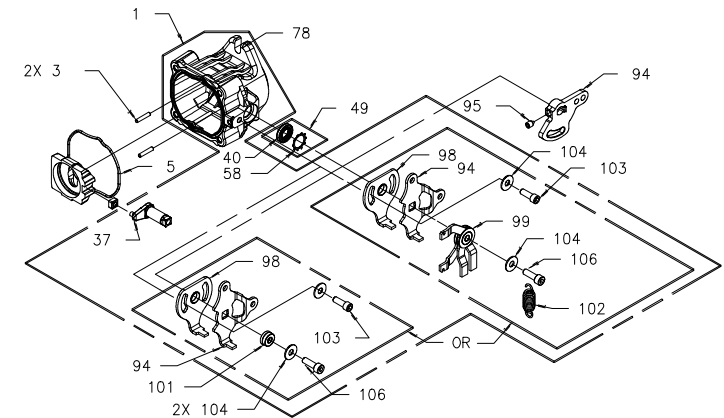
 -

11	12	13	14
----	----	----	----

TRUNNION ARM, HOUSING AND RETURN KITS

CHARACTER 8	ITEM #	COMPONENT #	DESCRIPTION	QTY	CONTAINS ITEMS:
A, B	1	71754	KIT, HSG, TRUNNION, STD SCISSOR, LIGHT SPRING	1	37, 78, 94, 98, 99, 102, 103, 104, 106
	102	52401	SPRING, LIGHT	1	102
C, D	1	71755	KIT, HSG, TRUNNION, CW SCISSOR, LIGHT SPRING	1	37, 78, 94, 98, 99, 102, 103, 104, 106
	102	52401	SPRING, LIGHT	1	102
E, F	1	71756	KIT, HSG, TRUNNION, CCW SCISSOR, LIGHT SPRING	1	37, 78, 94, 98, 99, 102, 103, 104, 106
	102	52401	SPRING, LIGHT	1	102
G, H	1	71757	KIT, HSG, TRUNNION, STD SCISSOR, HVY SPRING	1	37, 78, 94, 98, 99, 102, 103, 104, 106
	102	51605	SPRING, HVY	1	102
J, K	1	71758	KIT, HSG, TRUNNION, CW SCISSOR, HVY SPRING	1	37, 78, 94, 98, 99, 102, 103, 104, 106
	102	51605	SPRING, HVY	1	102
L, M	1	71759	KIT, HSG, TRUNNION, CCW SCISSOR, HVY SPRING	1	37, 78, 94, 98, 99, 102, 103, 104, 106
	102	51605	SPRING, HVY	1	102
N, P	1	71760	KIT, HSG, TRUNNION, STD SCISSOR, MED SPRING	1	37, 78, 94, 98, 99, 102, 103, 104, 106
	102	51833	SPRING, MED	1	102
Q, R	1	71761	KIT, HSG, TRUNNION, CW SCISSOR, MED SPRING	1	37, 78, 94, 98, 99, 102, 103, 104, 106
	102	51833	SPRING, MED	1	102
T, U	1	71762	KIT, HSG, TRUNNION, CCW SCISSOR, MED SPRING	1	37, 78, 94, 98, 99, 102, 103, 104, 106
	102	51833	SPRING, MED	1	102
V, W	1	71763	KIT, HSG, TRUNNION, BASIC#1 CONTROL ARM	1	37, 78, 94, 101, 104, 106
	1	70516	KIT, HOUSING	1	78
Y	37	2003005	ARM, TRUNNION, DOUBLE D	1	37
	1	70516	KIT, HOUSING	1	78
Z	37	2003005	ARM, TRUNNION, DOUBLE D	1	37
	94	45007	ARM, CONTROL	1	94
	95	50018	SCREW, SOCKET HEAD SET, 5/16-24 X .50	1	95
1	1	71769	KIT, HSG, TRUNNION ARM	1	37, 78
2, 3	1	71764	KIT, HSG, TRUNNION, BASIC#2 CONTROL ARM	1	37, 78, 94, 98, 101, 103, 104, 106
4, 7	1	71765	KIT, HSG, TRUNNION, CCW SLOTTED SCISSOR, MED SPRG	1	37, 78, 94, 98, 99, 102, 103, 104, 106
	102	51833	SPRING, MED	1	102
5, 6	1	71766	KIT, HSG, TRUNNION, CW SLOTTED SCISSOR, MED SPRG	1	37, 78, 94, 98, 99, 102, 103, 104, 106
	102	51833	SPRING, MED	1	102

FOR MODELS BUILT BEFORE JAN. 01, 2008 [SN 8001PXXXXX]**
 [FOR MODELS BUILT AFTER JAN. 01, 2008 SEE PRECEDING PAGE]



111 - OVERHAUL SEAL KIT

GENERIC PARTS LISTING (ALL MODELS)

ITEM #	COMPONENT #	DESCRIPTION	QTY	CONTAINS ITEMS:
3	50641	STRAIGHT HEADLESS PIN	2	3
5	52629	HOUSING O-RING	1	5
49	2513043	TRUNNION SEAL / RETAINER KIT	1	40, 58
111	70525	OVERHAUL SEAL KIT	1	111

** NOTE: HOW TO READ BAR CODE LABEL SERIAL NUMBER DATE CODE
 EX. 8XXXXPXXXXX CHARACTER 1 = YEAR(2008), CHARACTERS 2, 3, & 4 ARE
 1234
 JULIAN DATE CODE 001 THRU 365 (001 = JAN 1; 032 = FEB 1; 365 = DEC 31)



PG SERIES SERVICE SCHEMATIC (BDP-10A)

MODEL NUMBER:

P	G
1	2

 -

3	4	5	6

 -

		*	*
7	8	9	10

 -

*			
11	12	13	14

CHARACTER #:

1	2
3	4

 -

3	4	5	6
7	8	9	10

 -

*			
11	12	13	14

BYPASS KITS

CHARACTER 9	ITEM #	COMPONENT #	DESCRIPTION	QTY
1		2513030	KIT, BYPASS	1
2	15	2513031	KIT, BYPASS	1
Z		50918	KALLEVIG VALVE (TORO ONLY)	1

FAN & HUB KITS

CHARACTER 10	ITEM #	COMPONENT #	DESCRIPTION	QTY	CONTAINS ITEMS:
X		N/A	NONE	0	----
A	90	71172	KIT, HUB 6" FAN CCW	1	80,81,82,83
B, D	90	71172	KIT, HUB 6" FAN CCW	1	80,81,82,83
	209	52016	BRACKET, SHROUD	1	209
C, E	90	71172	KIT, HUB 6" FAN CCW	1	80,81,82,83
	209	52016	BRACKET, SHROUD	1	209
	210	52059	SHROUD	1	210
1		70793	KIT, HUB 7" FAN CCW	1	80,81,82,83
2		70811	KIT, HUB 7" FAN CW	1	80,81,82,83
3		70629	KIT, HUB 6" FAN CCW	1	80,81,82,83
4	90	70632	KIT, HUB 7" FAN CCW	1	80,81,82,83

TORQUE BRACKET

CHARACTER 11	ITEM #	COMPONENT #	DESCRIPTION	QTY
X		N/A	NONE	0
1, 2, 3, 4	35	51593	TORQUE BRACKET	1

