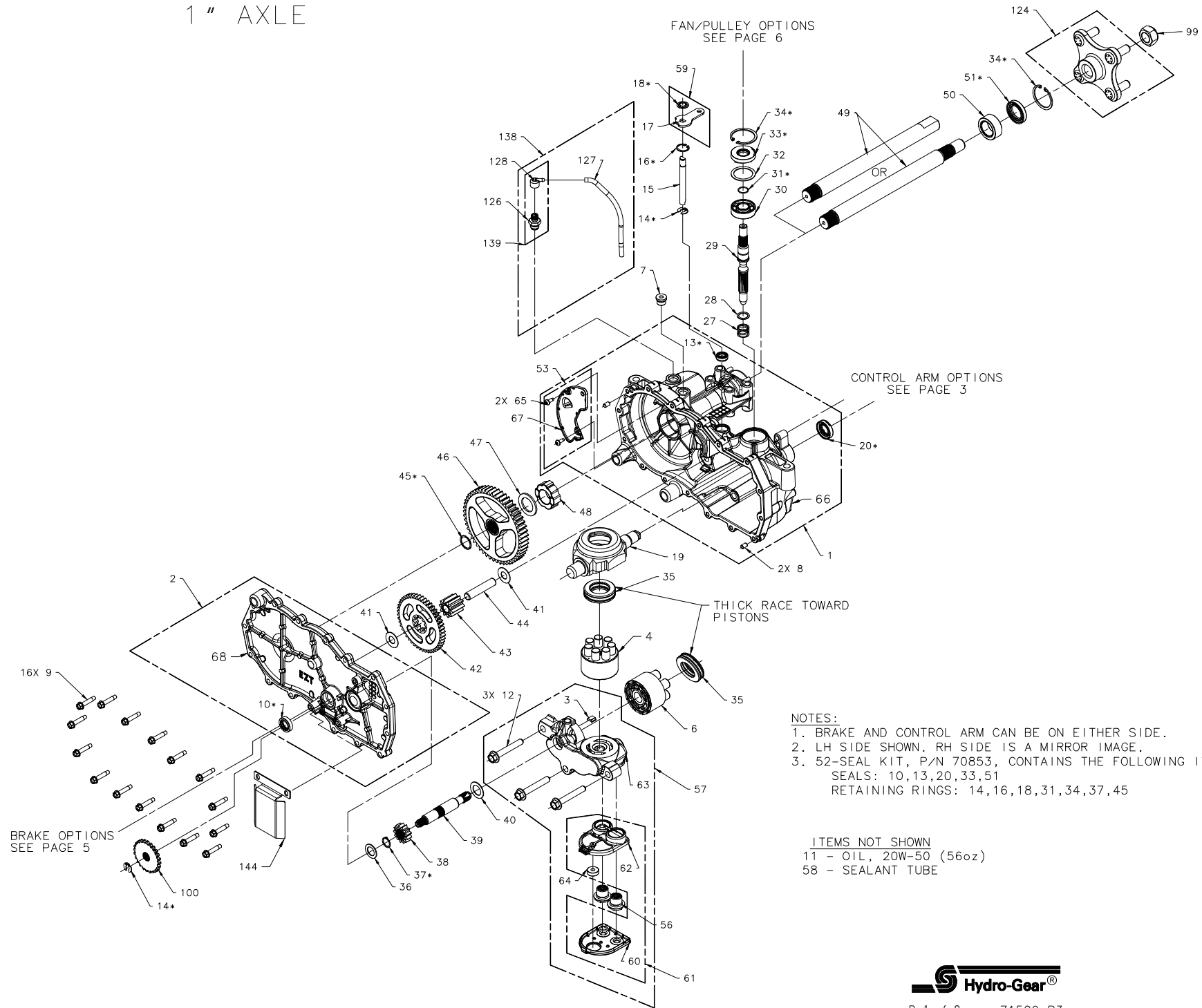


EZT SERVICE DRAWING 1" AXLE



NOTES:

1. BRAKE AND CONTROL ARM CAN BE ON EITHER SIDE.
2. LH SIDE SHOWN. RH SIDE IS A MIRROR IMAGE.
3. 52-SEAL KIT, P/N 70853, CONTAINS THE FOLLOWING ITEMS:
SEALS: 10, 13, 20, 33, 51
RETAINING RINGS: 14, 16, 18, 31, 34, 37, 45

ITEMS NOT SHOWN

- 11 - OIL, 20W-50 (56oz)
- 58 - SEALANT TUBE



EZT SERVICE DRAWING

1" AXLE

MODEL NUMBER:
CHARACTER #:

Z	*	-					-					-				
1	2	-	3	4	5	6	-	7	8	9	10	-	11	12	13	14

COMMON PARTS (ALL MODELS)

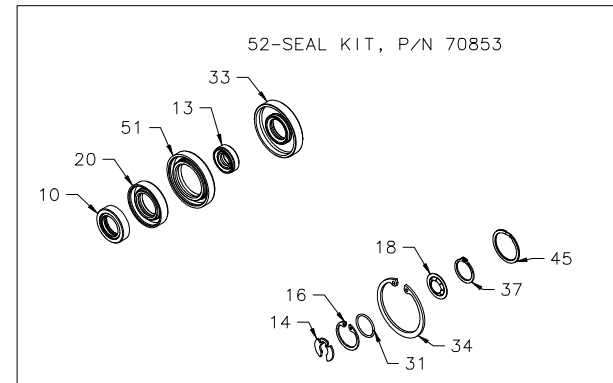
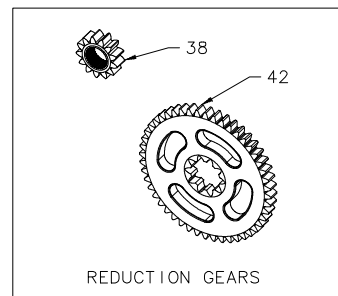
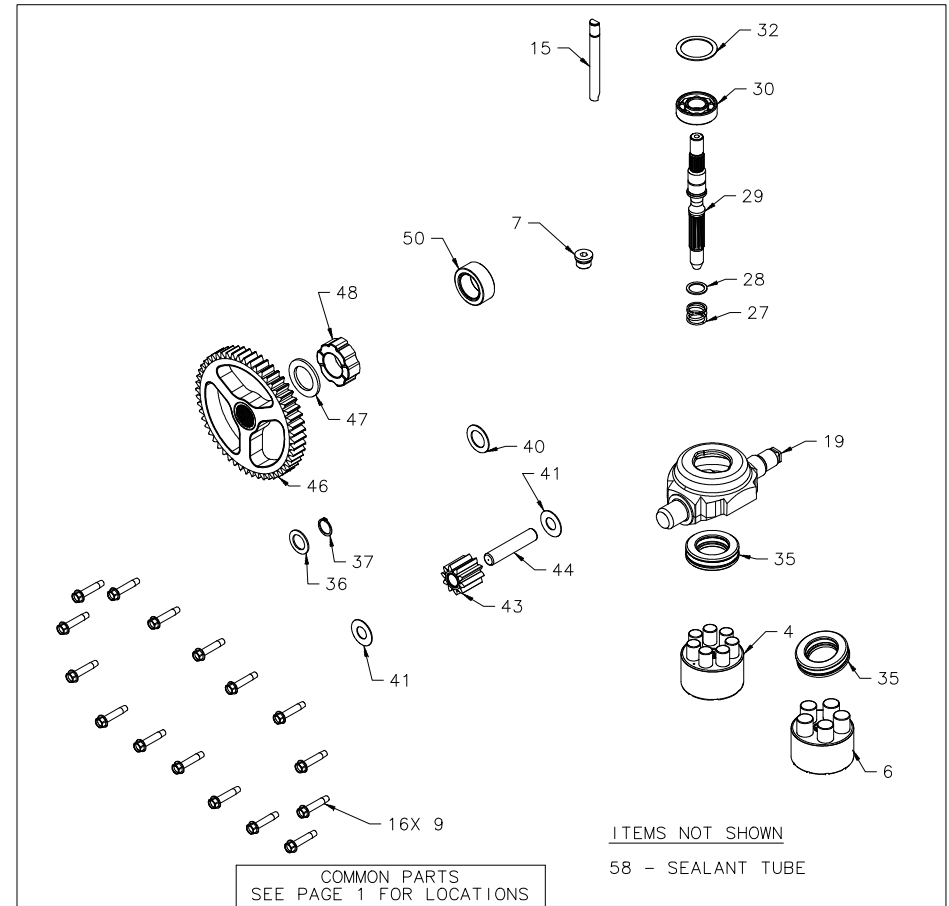
ITEM #	COMPONENT #	DESCRIPTION	QTY
4	70723	ASSEMBLY, PISTON BLOCK - 7P10CC	1
6	70331	ASSEMBLY, PISTON BLOCK - 5P10CC	1
7	9005110-5600	PLUG, 9/16-18 (METAL)	1
9	51190	HFCS 1/4-20 X 1.25 (SELF TAPPING)	16
15	51625	ROD, BYPASS	1
19	51048	SWASHPLATE, TRUNNION, MACHINED	1
27	2003014	SPRING, HELICAL COMPRESSION	1
28	2003017	WASHER, .591 X .787 X .040	1
29	51062	SHAFT, INPUT	1
30	50315	BEARING, BALL 17MM ID X 40MM OD X 12MM	1
32	50951	SPACER	1
35	50551	BEARING, THRUST 30 X 52 X 13	2
36	44371	WASHER, 5/8 X 1.0 X .05	1
37	44145	RING, RETAINING	1
40	51069	WASHER, .71 X 1.16 X .04	1
41	50132	WASHER, HT .5 ID X 1.0 OD X .032	2
43	51043	GEAR, 10T JACKSHAFT	1
44	51083	PIN, JACKSHAFT	1
46	52541	GEAR, 52T BULL	1
47	52532	WASHER, 1.018 X 1.57 X .105	1
48	52542	SLEEVE BEARING (INBOARD)	1
50	51517	BEARING, SLEEVE, 1.00 X 1.57 X .62	1
52	70853	KIT, SEAL	1
58	50928	SEALANT TUBE	1

ITEM #52, SEAL KIT, P/N 70853

ITEM#	DESCRIPTION	QTY
10	SEAL, LIP .625 X 1.000 X .250	1
13	SEAL, LIP .50 X .88 X .25	1
14	RING, RETAINING .375 EXT	2
16	RING, RETAINING .750 INT	1
18	RING, RETAINING .375 EXT (PUSHNUT)	1
20	SEAL, LIP 18 X 32 X 7	1
31	RING, RETAINING WIRE .561 ID	1
33	SEAL, LIP 17 X 40 X 7	1
34	RING, RETAINING	2
37	RING, RETAINING	1
45	RING, SPIRAL RETAINING	1
51	SEAL, LIP 1.00 X 1.57 X .25	1
	SEAL, LIP .375 x .75 X .25	1

REDUCTION GEARS

CHAR 2	ITEM #	COMPONENT #	DESCRIPTION	QTY
C	38	51130	GEAR, PINION 13T	1
	42	51129	GEAR, 10T/48T	1
D	38	51767	GEAR, PINION 12T	1
	42	51766	GEAR, 10T/49T	1



EZT SERVICE DRAWING

1" AXLE

MODEL NUMBER:
CHARACTER #:

Z		-	*				-		*	*	-					
1	2	-	3	4	5	6	-	7	8	9	10	-	11	12	13	14

STD CONTROL: KITS CONTAIN ITEMS 23, 25, AND 26

CHAR 9	CHAR 10	ITEM #	COMPONENT #	DESCRIPTION	QTY
0, 5	A	22	52298	WASHER, PLASTIC	1
		200	71633	KIT, CONTROL ARM	1
	B	22	51846	SPACER	1
		200	71634	KIT, CONTROL ARM	1
	C	22	51846	SPACER	1
		200	71635	KIT, CONTROL ARM	1
AND EACH INCLUDES THE FOLLOWING:					
0, 5	A,B,C	21	50426	STUD, SHORT 5/16-24	1
		24	44130	WASHER .34 X .88 X .06	1

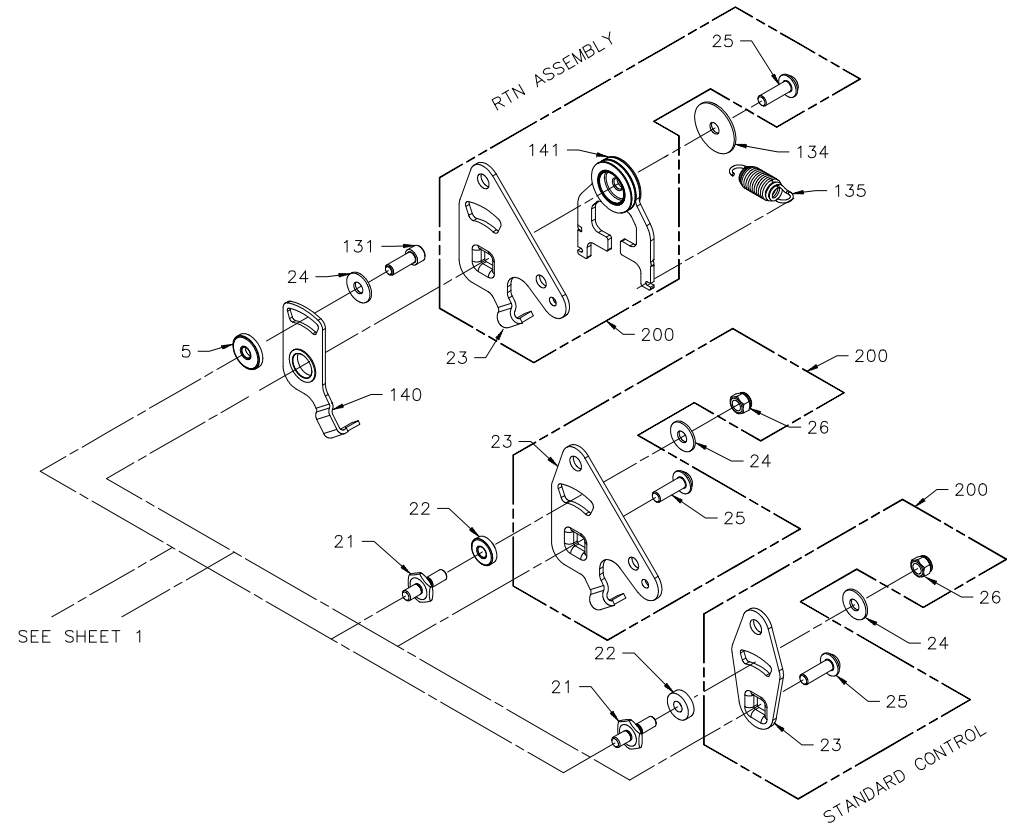
RTN ASSEMBLY: CONTAINS ITEM #'S 23, 25, AND 141

CHAR 3	CHAR 9	CHAR 10	ITEM	COMPONENT	DESCRIPTION	QTY
D	2,G	C	200	71592	KIT, RTN, BIDIRECTIONAL	1
				71598	KIT, RTN, BIDIRECTIONAL	1
	7,K	B		71588	KIT, RTN, BIDIRECTIONAL	1
				71595	KIT, RTN, BIDIRECTIONAL	1
	3,H	C		71593	KIT, RTN, CCW	1
				71599	KIT, RTN, CCW	1
	4,J	B		71590	KIT, RTN, CW	1
				71597	KIT, RTN, CW	1
	8,L	C		71594	KIT, RTN, CW	1
				71600	KIT, RTN, CW	1
	9,M	B		71589	KIT, RTN, CCW	1
				71596	KIT, RTN, CCW	1
A	2,G	B	200	71588	KIT, RTN, BIDIRECTIONAL	1
				71595	KIT, RTN, BIDIRECTIONAL	1
	7,K	C		71592	KIT, RTN, BIDIRECTIONAL	1
				71598	KIT, RTN, BIDIRECTIONAL	1
	3,H	B		71590	KIT, RTN, CW	1
				71597	KIT, RTN, CW	1
	4,J	C		71593	KIT, RTN, CCW	1
				71599	KIT, RTN, CCW	1
	8,L	B		71589	KIT, RTN, CCW	1
				71596	KIT, RTN, CCW	1
	9,M	C		71594	KIT, RTN, CW	1
				71600	KIT, RTN, CW	1

CHAR 9	CHAR 10	ITEM #	COMPONENT #	DESCRIPTION	QTY
2-9 G-M	B	140	51945	ARM, NEUTRAL RIGHT	1
	C	140	51946	ARM, NEUTRAL LEFT	1
	F	140	51945	ARM, NEUTRAL RIGHT	1
	G	140	51946	ARM, NEUTRAL LEFT	1
AND EACH INCLUDES THE FOLLOWING:					
2-9 G-M	B,C,F,G	5	52527	SPACER, .320 X 1.005 X .179	1
		24	44130	WASHER, .34 X .88 X .06	1
		131	51616	SHCS 5/16-24X1 PATCH	1
		134	51950	WASHER, .343 X 1.500 X .062	1

SPRING

CHAR 9	ITEM #	COMPONENT #	DESCRIPTION	QTY
2,3,4,7,8,9	135	52401	SPRING, EXTENSION CLEAR ZINC	1
G-M	135	51605	SPRING, EXTENSION YELLOW ZINC	1
A-D	135	51833	SPRING, EXTENSION	1



EZT SERVICE DRAWING

1" AXLE

MODEL NUMBER:
CHARACTER #:

Z	
1	2

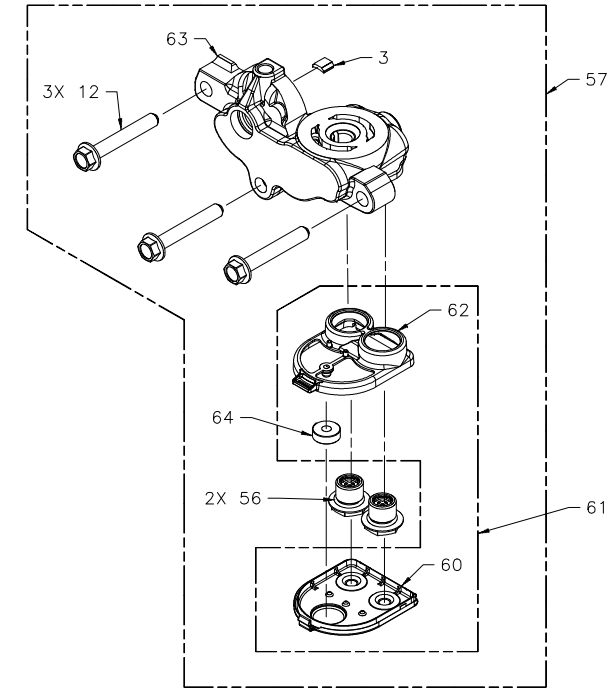
*	*	*	*
3	4	5	6

7	8	9	10

11	12	13	14

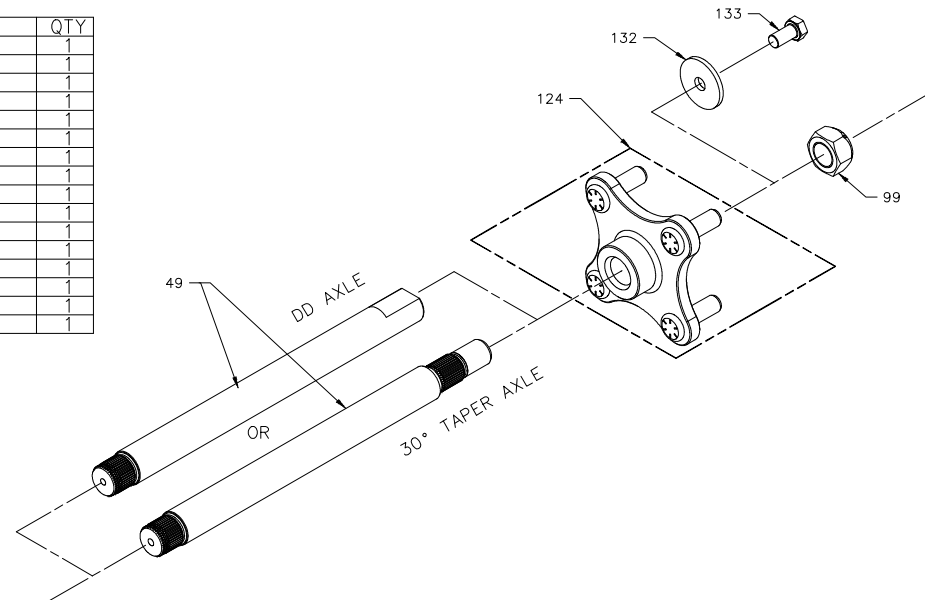
CENTER SECTION & FILTER KITS

CHARACTER 3	CHARACTER 5,6	ITEM #	COMPONENT #	DESCRIPTION	QTY		
A	B	57	71530	KIT, CENTER SECTION, W/ FILTER-RH	1		
		(63)		CENTER SECTION, RH, 7P	1		
		(3)		PLATE, BYPASS	1		
		(12)		BOLT, HEX FLANGE 3/8-24 X 2.5	3		
		(60)		ASSEMBLY, COVER	1		
		(62)		FILTER, BASE	1		
		(64)		MAGNET	1		
		(56)		CHECK PLUG ASSEMBLY, .027, WASHER	2		
		61	71497	KIT, FILTER	1		
		(60)		ASSEMBLY, COVER	1		
		(62)		FILTER, BASE	1		
		(64)		MAGNET	1		
		D	B	57	71529	KIT, CENTER SECTION, W/ FILTER-LH	1
				(63)		CENTER SECTION, LH, 7P	1
(3)				PLATE, BYPASS	1		
(12)				BOLT, HEX FLANGE 3/8-24 X 2.5	3		
(60)				ASSEMBLY, COVER	1		
(62)				FILTER, BASE	1		
(64)				MAGNET	1		
(56)				CHECK PLUG ASSEMBLY, .027, WASHER	2		
61	71497			KIT, FILTER	1		
(60)				ASSEMBLY, COVER	1		
(62)				FILTER, BASE	1		
(64)				MAGNET	1		



AXLE COMPONENTS

CHARACTER 4	ITEM #	COMPONENT #	DESCRIPTION	QTY
A	49	52529	SHAFT, AXLE (30° TAPER)	1
	49	52529	SHAFT, AXLE (30° TAPER)	1
C	99	50863	NUT, HEX LOCK 3/4-16	1
	124	70314	KIT, HUB 1/2-20	1
F	49	52528	SHAFT, AXLE (30° TAPER)	1
	49	52528	SHAFT, AXLE (30° TAPER)	1
H	99	50863	NUT, HEX LOCK 3/4-16	1
	124	70314	KIT, HUB 1/2-20	1
M	49	52545	SHAFT, AXLE (DD)	1
	124	52710	HUB, 4 STUD, 1/2-20, DD	1
	132	52827	FLAT, WASHER .390 X 1.50 X .134	1
	133	52828	HHCS 3/8-16X.75_GR5_LOCK	1
N	49	52683	SHAFT, AXLE (DD)	1
	124	52710	HUB, 4 STUD, 1/2-20, DD	1
	132	52827	FLAT, WASHER .390 X 1.50 X .134	1
	133	52828	HHCS 3/8-16X.75_GR5_LOCK	1



EZT SERVICE DRAWING

1" AXLE

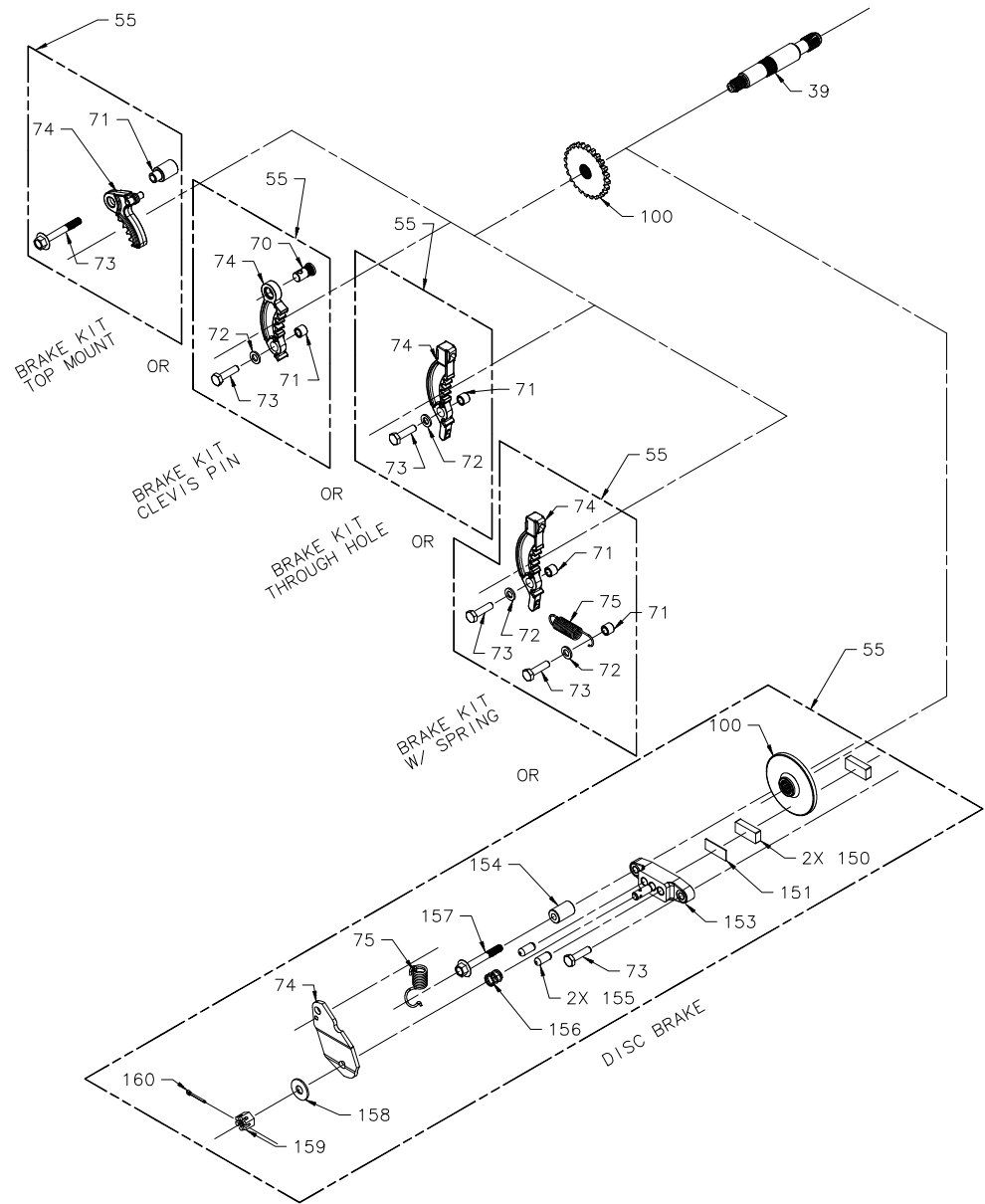
MODEL NUMBER:
CHARACTER #:

Z		-	*			-	*	*			-					
1	2	-	3	4	5	6	-	7	8	9	10	-	11	12	13	14

		COG BRAKE KITS							
CHAR 3	CHAR 7	CHAR 8	ITEM #	COMPONENT #	DESCRIPTION	QTY			
A	2	A,C,K,M	55	71069	KIT, BRAKE ARMW/CLEVIS PIN, LH	1			
			(74)		ARM, BRAKE	1			
			(70)		PIN, CLEVIS	1			
			(71)		BUSHING .260X.394X.330 LG	1			
			(72)		WASHER, .28 X .50 X .063	1			
		(73)		BOLT, 1/4-20 X 1 W/PATCH	1				
		B,D,J,L	55	71070	KIT, BRAKE ARMW/CLEVIS PIN, RH	1			
			(74)		ARM, BRAKE	1			
			(70)		PIN, CLEVIS	1			
			(71)		BUSHING .260X.394 X.330 LG	1			
(72)			WASHER, .28 X .50 X .063	1					
D	2	B,D,J,L	55	71069	KIT, BRAKE ARMW/CLEVIS PIN, LH	1			
			(74)		ARM, BRAKE	1			
			(70)		PIN, CLEVIS	1			
			(71)		BUSHING .260X.394X.330 LG	1			
			(72)		WASHER, .28 X .50 X .063	1			
		(73)		BOLT, 1/4-20 X 1 W/PATCH	1				
		A,C,K,M	55	71070	KIT, BRAKE ARMW/CLEVIS PIN, RH	1			
			(74)		ARM, BRAKE	1			
			(70)		PIN, CLEVIS	1			
			(71)		BUSHING .260X.394 X.330 LG	1			
(72)			WASHER, .28 X .50 X .063	1					
-----	3	-----	55	70865	KIT, BRAKE ARM, THROUGH HOLE	1			
			(74)		ARM, BRAKE	1			
			(71)		BUSHING .260X.394X.330 LG	1			
			(72)		WASHER, .28 X .50 X .063	1			
			(73)		BOLT, 1/4-20 X 1 W/PATCH	1			
			-----	4	-----	55	71356	KIT, BRAKE ARM W/ SPRING	1
						(74)		ARM, BRAKE	1
						(75)		SPRING, EXTENSION	1
						(71)		BUSHING .260X.394X.330 LG	2
						(72)		WASHER, .28 X .50 X .063	2
(73)		BOLT, 1/4-20 X 1 W/PATCH				2			
-----	5	-----				55	71560	KIT, BRAKE ARM, TOP MOUNT	1
						(71)		SPACER	1
						(74)		ARM, BRAKE	1
						(73)		HFCS 1/4-20 X 2.0 (PATCH)	1

		COG/MOTOR SHAFTS			
CHAR 7	CHAR 8	ITEM #	COMPONENT #	DESCRIPTION	QTY
2,3,4	A-D	39	51632	SHAFT, MOTOR	1
		100	51635	DISC, COG BRAKE	1
	J-M	39	51845	SHAFT, MOTOR	1
		100	51635	DISC, COG BRAKE	1
X,B	J,Z	39	52580	SHAFT, MOTOR	1
	A	39	52579	SHAFT, MOTOR	1
5	W	39	51845	SHAFT, MOTOR	1
		100	51635	DISC, COG BRAKE	1

		DISC BRAKE			
CHAR 7	ITEM #	COMPONENT #	DESCRIPTION	QTY	
B	55	71646	KIT, BRAKE	1	
	(73)		HFCS 1/4-20 X 1 (PATCH)	1	
	(74)		ARM, BRAKE	1	
	(75)		SPRING, BRAKE ARM, BIAS	1	
	(100)		ROTOR	1	
	(150)		PUCK, BRAKE	2	
	(151)		PLATE, PUCK	1	
	(153)		ASSEMBLY, BRAKE YOKE	1	
	(154)		SPACER .26 X .57 X .87	1	
	(155)		PIN, BRK .31 X .73 PLATED	2	
	(156)		SPRING, COMP BRAKE ANTI-DRAG	1	
	(157)		HFCS 1/4-20 X 2.0 (PATCH)	1	
	(158)		WASHER .34X.88X.06	1	
	(159)		NUT, CASTLE 5/16-24	1	
	(160)		PIN COTTER 3/32 - 3/4	1	



EZT SERVICE DRAWING

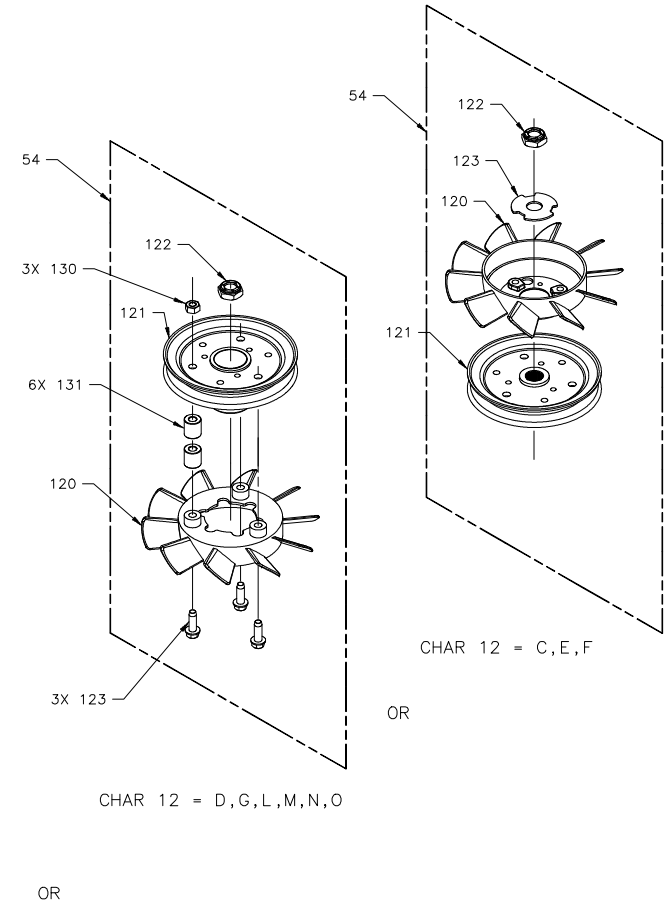
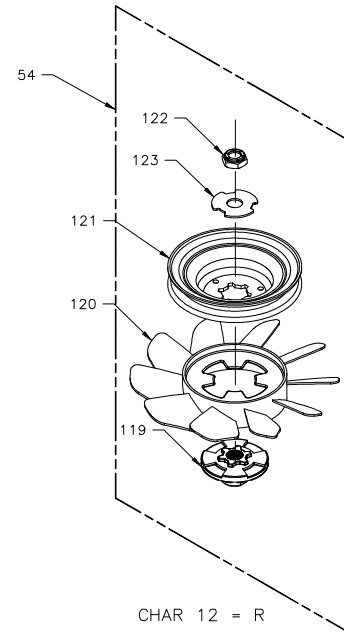
1" AXLE

MODEL NUMBER:
CHARACTER #:

Z		-									*					
1	2	-	3	4	5	6	-	7	8	9	10	-	11	12	13	14

FAN & PULLEY KIT

CHAR 12	ITEM#	COMPONENT #	DESCRIPTION	QTY
X			N/A	
C FAN OVER PULLEY	54	70583	KIT, FAN-PULLEY	1
	120	51362	FAN, 6", 10 BLADE	1
	121	51182	PULLEY 4.5"	1
	122	51244	NUT, HEX LCKNG 1/2-20 NYLON	1
	123	51523	WASHER, OD SLOTTED .53X1.63X.0	1
D PULLEY OVER FAN	54	70591	KIT, FAN-PULLEY	1
	120	51365	FAN, 6", 10 BLADE	1
	121	50302	PULLEY 4.5 X 1.625	1
	122	51244	NUT, HEX LCKNG 1/2-20 NYLON	1
E FAN OVER PULLEY	123	50752	HFHCS 1/4-20X.75 BLK PHOS & OIL	3
	54	70489	KIT, FAN-PULLEY	1
	120	51862	FAN, 7", 10 BLADE	1
	121	51875	PULLEY 4.5 X 1.625	1
F FAN OVER PULLEY	122	44133	NUT, HEX LCKNG 1/2-20 NYLON	1
	123	51523	WASHER, OD SLOTTED .53X1.63X.0	1
	54	70488	KIT, FAN-PULLEY	1
	120	50307	FAN, 7", 10 BLADE	1
G PULLEY OVER FAN	121	50302	PULLEY 4.5 X 1.625	1
	122	44133	NUT, HEX LCKNG 1/2-20 NYLON	1
	123	44300	HHCS 1/4-20X2 (PATCH)	3
	130	43178	NUT, HEX 1/4-20	3
	131	50259	SPACER .26X.57X.62 (BLACK)	6
	54	70770	KIT, FAN-PULLEY	1
L PULLEY OVER FAN	120	51579	FAN, 6", 10 BLADE	1
	121	51585	PULLEY 4"	1
	122	51244	NUT, HEX LCKNG 1/2-20 NYLON	1
	123	50752	HFHCS 1/4-20X.75 BLK PHOS & OIL	3
M PULLEY OVER FAN	54	71333	KIT, FAN-PULLEY	1
	120	52315	FAN, 7", 10 BLADE	1
	121	50302	PULLEY 4.5 X 1.625	1
	122	51244	NUT, HEX LCKNG 1/2-20 NYLON	1
N PULLEY OVER FAN	123	51079	HFHCS 1/4-20X.875 BLK PHOS & OIL	3
	54	71334	KIT, FAN-PULLEY	1
	120	52315	FAN, 7", 10 BLADE	1
	121	51173	PULLEY 5.5"	1
P PULLEY OVER FAN	122	51244	NUT, HEX LCKNG 1/2-20 NYLON	1
	123	51079	HFHCS 1/4-20X.875 BLK PHOS & OIL	3
	54	71335	KIT, FAN-PULLEY	1
	120	52315	FAN, 7", 10 BLADE	1
R PULLEY OVER FAN	121	52046	PULLEY 5.0"	1
	122	51244	NUT, HEX LCKNG 1/2-20 NYLON	1
	123	51079	HFHCS 1/4-20X.875 BLK PHOS & OIL	3
	54	71336	KIT, FAN-PULLEY	1
R PULLEY OVER FAN	120	52315	FAN, 7", 10 BLADE	1
	121	51597	PULLEY 4.75"	1
	122	51244	NUT, HEX LCKNG 1/2-20 NYLON	1
	123	51079	HFHCS 1/4-20X.875 BLK PHOS & OIL	3
	119	52366	HUB	1



EZT SERVICE DRAWING

1" AXLE

MODEL NUMBER:
CHARACTER #:

Z		-	*				-	*	*	*		-	*		*	*
1	2	-	3	4	5	6	-	7	8	9	10	-	11	12	13	14

MAIN HOUSING KITS

CHAR 7	CHAR 3	CHAR 9	CHAR 8	ITEM#	COMPONENT#	DESCRIPTION	QTY	ITEMS INCLUDED
2, B, 5	A	0-4 G-J	J-M	1	71585	RH W/BRAKE	1	8, 13, 65, 66, 67, 10
			A-D		71030R	RH	1	8, 13, 65, 66, 67
			A-D		70862R	RH W/CNTL	1	8, 13, 65, 66, 67, 20
	D	5-9 K-M	J-M, W, Y, Z		71098	RH W/CNTL AND BRAKE	1	8, 13, 65, 66, 67, 20, 10
			A-D		71030L	LH	1	8, 13, 65, 66, 67
			A-D		70862L	LH W/CNTL	1	8, 13, 65, 66, 67, 20
3, 4	A	0-4 G-J	A OR D	1	71030R	RH	1	8, 13, 65, 66, 67
			J OR M		71585	RH W/BRAKE	1	8, 13, 65, 66, 67, 10
			L		70974R	RH W/CNTL AND BRAKE, MOD BOSS	1	8, 13, 65, 66, 67, 20, 10
	D	5-9 K-M	A OR D		70862R	RH W/CNTL	1	8, 13, 65, 66, 67, 20
			J, M, Y, Z		71098	RH W/CNTL AND BRAKE	1	8, 13, 65, 66, 67, 20, 10
			A OR D		71030L	LH	1	8, 13, 65, 66, 67
D	5-9 K-M	A OR D	70862L	LH W/CNTL	1	8, 13, 65, 66, 67, 20		
		J, M, Y, Z	71097	LH W/CNTL AND BRAKE	1	8, 13, 65, 66, 67, 20, 10		
		L	70974L	LH W/CNTL AND BRAKE, MOD BOSS	1	8, 13, 65, 66, 67, 20, 10		

SIDE HOUSING KITS

CHAR 3	CHAR 9	CHAR 8	ITEM#	COMPONENT#	DESCRIPTION	QTY	ITEMS INCLUDED
A	0-4, G-J	A-D	2	71031R	COVER, SIDE, RH W/CTRL, BRAKE	1	10, 20, 68
		J-M		71586	COVER, SIDE, RH W/CNTL	1	20, 68
	5-9, K-M	A-D		70863R	COVER, SIDE, RH W/BRAKE	1	10, 68
		J-M, W, Y, Z		70983R	COVER, SIDE, RH	1	68
D	0-4, G-J	A-D	71031L	COVER, SIDE, LH W/CTRL, BRAKE	1	10, 20, 68	
		A-D	70863L	COVER, SIDE, LH W/BRAKE	1	10, 68	
	5-9, K-M	J-M, W, Y, Z	70983L	COVER, SIDE, LH	1	68	

EXPANSION TANK

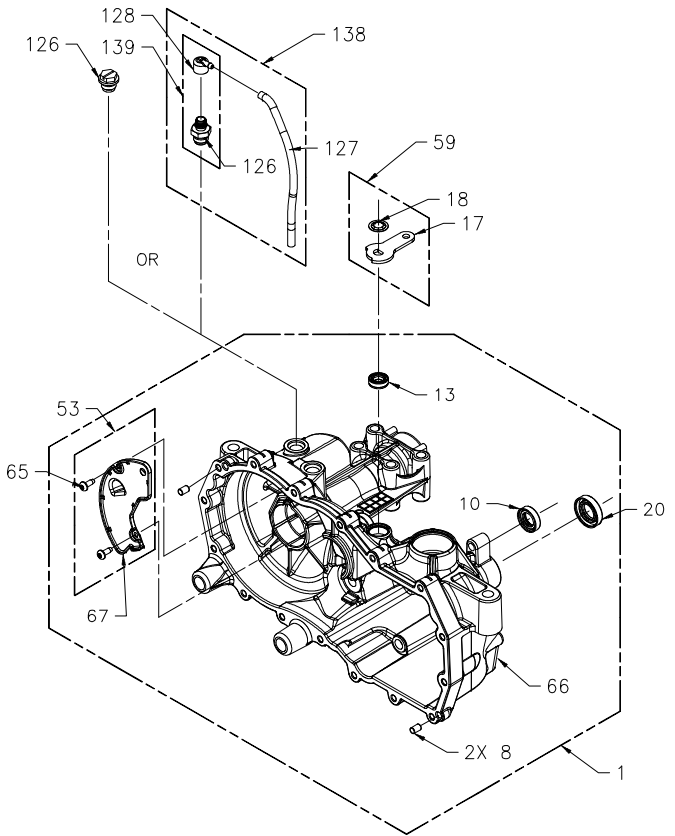
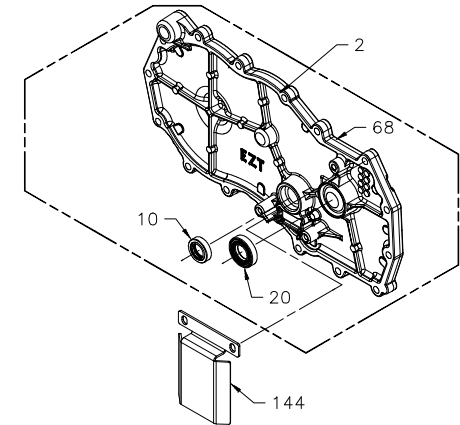
CHAR 14	CHAR 3	ITEM#	COMPONENT#	DESCRIPTION	QTY	ITEMS INCLUDED
X, A	A	53	70868R	PLATE EXPANSION, RH	1	65, 67
	D	53	70868L	PLATE EXPANSION, LH	1	65, 67
AND						
A	-----	144	52112	DEFLECTOR, BELT	1	144
B	-----	N/A	NONE	N/A		N/A/N/A

BYPASS: CONTAINS ITEMS 17 & 18

CHARACTER 11	ITEM #	COMPONENT#	DESCRIPTION	QTY
1	59	70891	KIT, BYPASS ARM W/ THRU HOLE	1
2	59	71006	KIT, BYPASS ARM W/ STUD	1
3	59	71357	KIT, BYPASS ARM W/ STUD	1

BREATHER

CHAR 13	ITEM#	COMPONENT#	DESCRIPTION	QTY
X	126	9005200-5600	PLUG 9/16-18 (PLASTIC)	1
L	126	71393	FITTING ASSEMBLY	1
	138	71510	KIT, BREATHER ASSEMBLY	1
P	(126)		ASSEMBLY, FITTING 9/16	1
	(127)		HOSE, EXP TANK	1
	(128)		CAP, BARBED VENT	1
	139	71524	KIT, BREATHER ASSEMBLY	1
	(128)		CAP, BARBED VENT	1
	(126)		ASSEMBLY, FITTING 9/16	1



EZT SERVICE DRAWING

1 " AXLE

REFERENCE NO.	SUPERSEDED MODEL	CURRENT MODEL NO.
112-4760	ZA-AMBB-3D5A-1CXX (105-3492)	ZC-AHBB-3D5A-2CPX
	ZA-AMBB-3D5A-2CXX (108-2394)	
	ZA-AHBB-3D5A-2CXX (110-6510)	
112-4761	ZA-DMBB-3D5A-1DXX (105-3491)	ZC-DHBB-3D5A-3DPX
	ZA-DMBB-3D5A-2DXX (108-2393)	
	ZA-DHBB-3D5A-3DXX (110-6511)	
1727806	ZA-AHBB-2A7B-1DGX	ZC-AHBB-2A7B-1DPX
1727807	ZA-DHBB-2A7C-1DFX	ZC-DHBB-2A7C-1DPX
D-3753-01	ZB-AKBB-2L5B-1DMX	ZC-AHBB-2L5B-1DPX
	ZB-AKBB-2L5B-1DAX	
D-3753-02	ZB-DKBB-2L5C-1DMX	ZC-DHBB-2L5C-1DPX
	ZB-DKBB-2L5C-1DAX	
D-3783-01	ZB-AKBB-2L5B-1LMX	ZC-AHBB-2L5B-1LPX
	ZB-AKBB-2L5B-1LAX	
D-3783-02	ZB-DKBB-2L5C-1LMX	ZC-DHBB-2L5C-1LPX
	ZB-DKBB-2L5C-1LAX	
618-04432	ZA-AFBB-3D7B-2DBX (618-04163)	71649
	ZA-AFBB-3D7B-2DHX (618-04163A)	
	ZA-AFBB-3D7B-2DEB (618-04327)	
	ZA-AFBB-4D7B-3LJX	
	ZA-AFBB-4D7B-3RJX	
618-04431	ZA-DFBB-3D7C-2DBX (618-04164)	71650
	ZA-DFBB-3D7C-2DHX (618-04164A)	
	ZA-DFBB-3D7C-2DEB (618-04326)	
	ZA-DFBB-4D7C-2LJX	
	ZA-DFBB-4D7C-2RJX	
AM135623	ZB-AKBB-XZLB-1DNX	ZC-AHBB-XZLB-1DPX
AM135624	ZB-DKBB-XZLC-1DNX	ZC-DHBB-XZLC-1DPX
110421	ZA-AHBB-3D5A-2DCX	ZC-AHBB-3D5A-2DPX
	ZA-AHBB-3D5A-2DXX	
	ZB-AKBB-3D5A-2DCX	
110422	ZA-DHBB-3D5A-2DBX	ZC-DHBB-3D5A-2DPX
	ZA-DHBB-3D5A-2DXX	
	ZB-DKBB-3D5A-2DCX	
792895	ZA-ACBB-3M5A-1EDX	ZC-ACBB-3M5A-1EPA
	ZA-ACBB-3M5A-1EDA	
792911	ZA-DCBB-3M5A-1EBX	ZC-DCBB-3M5A-1EPA
	ZA-DCBB-3M5A-1EBA	
16101	ZA-DCBB-3D0A-1DBX	ZC-DCBB-3D0A-1DPX
16102	ZA-ACBB-3D0A-1DBX	ZC-ACBB-3D0A-1DPX
16334	ZA-DHBB-2L7C-1EBX	ZC-DHBB-2K7C-1EPX
	ZA-DHBB-2K7C-1EBX	
16335	ZA-AHBB-2L7B-1EBX	ZC-AHBB-2K7B-1EPX
	ZA-AHBB-2K7B-1EBX	

REFERENCE NO.	SUPERSEDED MODEL	CURRENT MODEL NO.
16400	ZA-DCBB-3D2B-1DBX	ZC-DCBB-3D2B-1DPX
16401	ZA-ACBB-3D2C-1DBX	ZC-ACBB-3D2C-1DPX
16568	ZA-DHBB-2K8C-1EBX	ZC-DHBB-2K8C-1EPX
16569	ZA-AHBB-2K8B-1EBX	ZC-AHBB-2K8B-1EPX
14331	ZA-DCBB-2K5A-1DBX	ZC-DCBB-2K5A-1DPX
	ZC-DCBB-2K5A-1DXX	
14332	ZA-ACBB-2K5A-1DBX	ZC-ACBB-2K5A-1DPX
	ZC-ACBB-2K5A-1DXX	
00177200	ZA-AHBB-2L7B-1DBX	ZC-AHBB-2K7B-1DPX
	ZA-AHBB-2K7B-1DBX	
00177300	ZA-DHBB-2L7C-1DBX	ZC-DHBB-2K7C-1DPX
	ZA-DHBB-2K7C-1DBX	
00348000	ZA-ACBB-3D7B-1GBX	ZC-ACBB-3D7B-1GPX
	ZA-ACBB-3D7B-1GPX	
00348100	ZA-DCBB-3D7C-1GBX	ZC-DCBB-3D7C-1GPX
	ZA-DCBB-3D7C-1GPX	
00498100	ZB-DKBB-2D7C-1L BX	ZC-DHBB-3D7C-1LPX
	ZB-DKBB-3D7C-1L BX	
00498200	ZB-AKBB-2D7B-1L BX	ZC-AHBB-3D7B-1LPX
	ZB-AKBB-3D7B-1L BX	
001609400	ZA-ACBB-2D2C-1DBX	ZC-ACBB-2D2C-1DPX
001609500	ZA-DCBB-2D2B-1DBX	ZC-DCBB-2D2B-1DPX
	ZA-ACBB-3A5A-1DXX	ZC-ACBB-3A5A-1DPX
	ZA-DCBB-3A5A-1DXX	ZC-DCBB-3A5A-1DPX
78111	ZA-DHBB-2D5A-2DCX	ZC-DHBB-2D5A-2DPX
78112	ZA-AHBB-2D5A-2DCX	ZC-AHBB-2D5A-2DPX