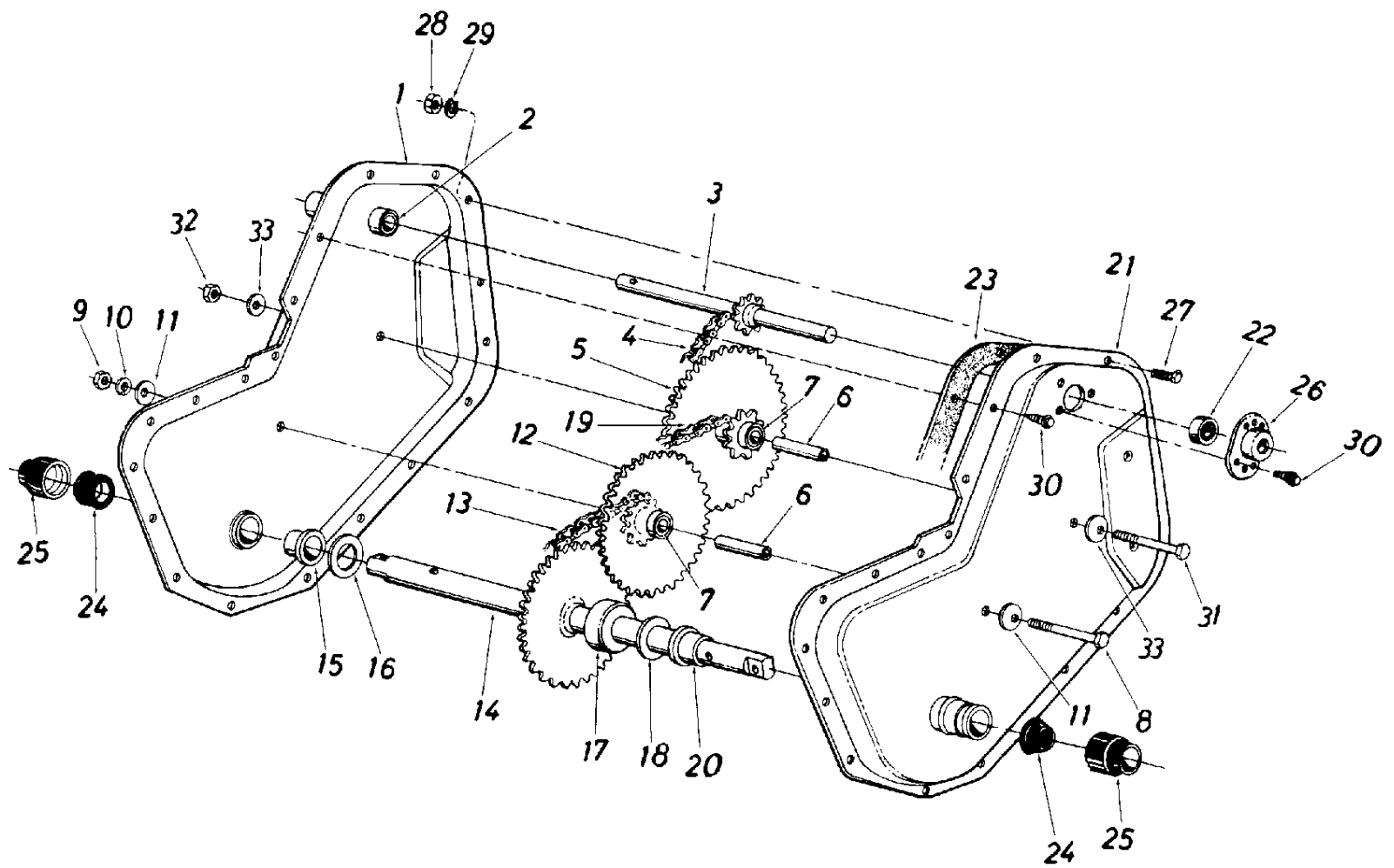
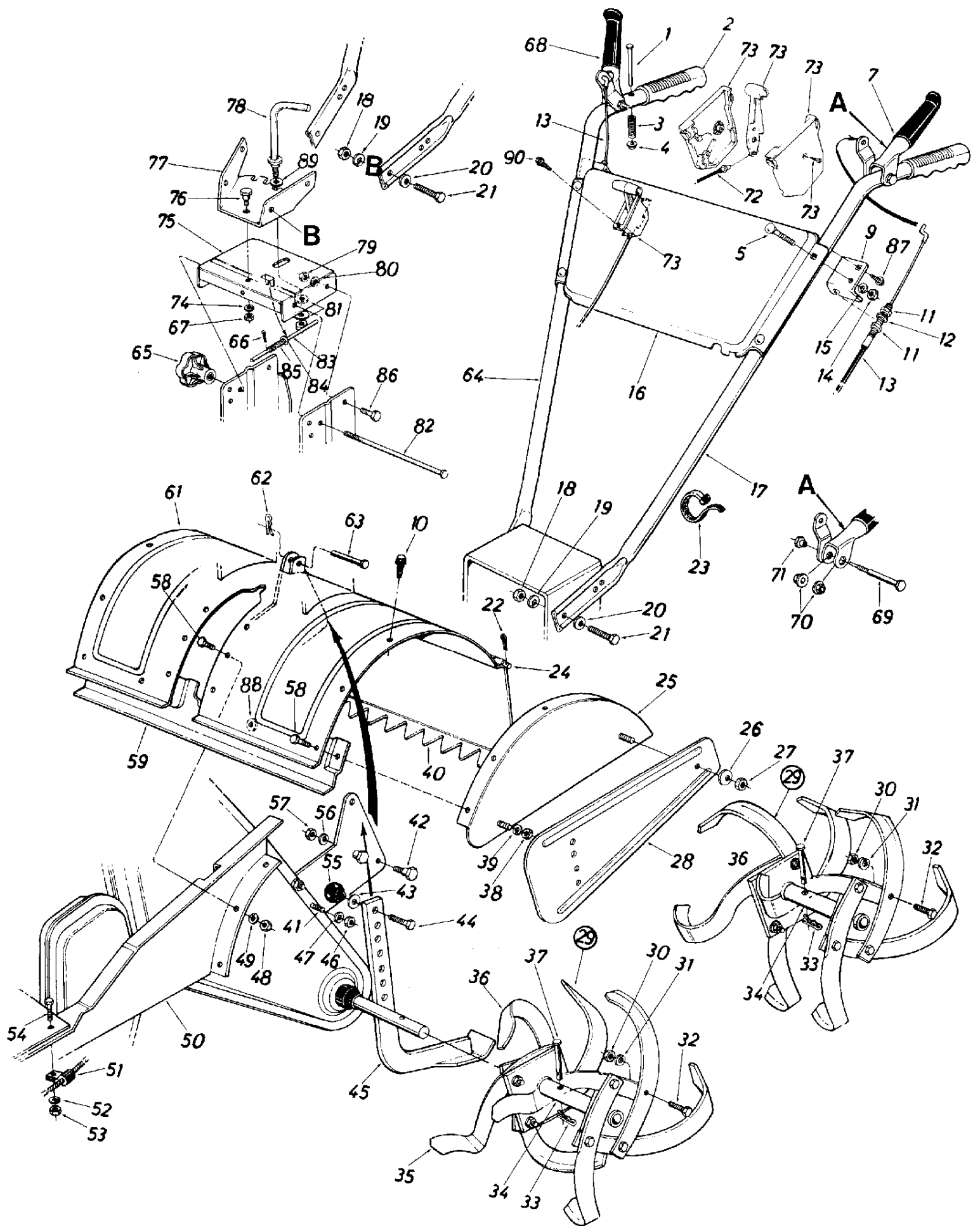


Chain Case

Ref #	Part Number	Qty	Description
1	736-0176	1	FI-Wash. 1/4" I.D. x .93" O.D. x .1 20
2	736-0329	1	L-Wash. 1/4" I.D.
3	710-0513	1	Hex Bolt 1/4-28 x .62" Lg. w/ Patch
4	716-0131	1	External Snap Ring-518" Dia.
5	04956	1	Input Shaft Ass'y.
6	741-0304	1	Bearing 5/8" I.D. x 3/4" O.D. x 1.860" Lg.
7	750-0275	1	Sprocket Hub Tubing 3/8" I.D. x 5/8" O.D. x 1.90
8	710-0629	1	Hex Bolt 3/8-24 x 2.75" Lg.
9	736-0258	1	FI-Wash. 3/8" I.D. x 1.25" O.D. x .10
10	713-0331	1	Sprocket Ass'y.
11	713-0328	1	#50 Chain 5/8" Pitch x 46 Links Endless
12	14986	1	Tine Shaft Ass'y.
13	731-0487	1	Dust Cup
14	721-0175	1	Seal Ring Single Lip, Springless
15	14984		Ass'y. Tiller Housing-R.H.
16	721-0170	1	Gasket
17	14985		Ass'y. Tiller Housing-L.H.
18	731-0374	1	Flange Brg. 1.00" I.D.
19	736-0163	1	FI-Thrust Wash. 1.0" I.D. x .03 Thk.
20	750-0570	1	Step Spacer
21	736-0169	1	L-Wash. 3/8" I.D.
22	712-0711	1	Hex Nut 3/8-24 Thd.
23	713-0327	1	#35 Chain 3/8" Pitch x 52 Links Endless
24	05034	1	Bearing Housing 1.38" I.D.
25	750-0471	1	Spacer
26	741-0155	1	Ball Bearing .625" I.D. x 1.38" O.D. x .437
27	710-0599	1	Hex Wash. SF-Tap Scr. 1/4-20 x.50" Lg.
28	736-0329	1	L-Wash. 1/4" I.D.
29	710-0118	1	Hex Bolt 5/16-18 x .75" Lg.
30	712-0267	1	Hex Nut 5/16-18 Thd.
31	736-0119	1	L-Wash. 5/16" I.D.
32	710-0599	1	Hex Wash. SF-Tap Scr. 1/4-20 x.50" Lg.
	737-0133	1	Grease-Plastilube #0 (12 oz.)



Ref #	Part Number	Qty	Description
1	14962	1	Chain Case Half Ass'y.-R.H.
2	748-0154	1	Bearing 5/8" I.D. x .813 O.D. x 1.31" Lg.
3	14960	1	Input Shaft Ass'y.
4	713-0325	1	Chain #35-3/8" Pitch x 44 Links
5	713-0316	1	Sprocket and Hub Ass'y.
6	750-0351	1	Bearing Inner Axle
7	741-0228	1	Sleeve Brg. 5/8" I.D. x 3/4" O.D. x 1.50
8	710-0369	1	Hex Bolt 3/8-24 x 2.50" Lg.
9	712-0116	1	Hex Ins. L-Nut 3/8-24 Thd.
10	736-0169	1	L-Wash. 3/8" I.D.
11	736-0219	1	Bell-Wash. .41 I.D. x 1.13" O.D. x .03
12	713-0330	1	Sprocket & Hub Ass'y. 9T-22T
13	713-0326	1	#420 Chain 1/2 Pitch x 28 Links Endless
14	14968	1	Wheel Shaft Ass'y. (404, 405)
	784-0095	1	Wheel Shaft Ass'y. (402)
15	741-0227	1	Flange Bearing
16	736-0265	1	FI-Wash. .88" I.D. x 1.5" O.D. x .03
17	750-0354	1	Spacer 7/8" I.D. x 1-3/4" O.D. x .68" Lg.
18	736-0265	1	FI-Wash. .88" I.D. x 1.50" O.D. x .03
19	713-0267	1	#420 Chain 1/2" Pitch x 30 Links Endless
20	741-0227	1	Flange Bearing
21	15797	1	Chain Case Half Ass'y.-L.H.
22	741-0155	1	Bearing
23	721-0156	1	Gasket
24	721-0157	1	Seal
25	731-0486	1	Dust Cup
26	05034	1	Bearing Housing
27	710-0195	1	Hex Bolt 1/4-28 x 5/8" Lg.
28	712-0138	1	Hex Nut 1/4-28 Thd.
29	736-0329	1	L-Wash. 1/4" I.D.*
30	710-0599	1	Hex Wash. S-Tap Scr. 1/4-20 x .50" Lg.
31	710-0378	1	Hex Bolt 5/16-18 x 2.5" Lg.
32	712-0158	1	Hex Cent. L-Nut 5/16-18 Thd.
33	736-0159	1	FI-Wash. 5/16" I.D.
	737-0133	1	Grease-Plastilube #0 (10 oz.)
	14963	1	Chain Case Ass'y. Comp. (404, 405)
	784-0102	1	Chain Case Ass'y. Comp. (402)



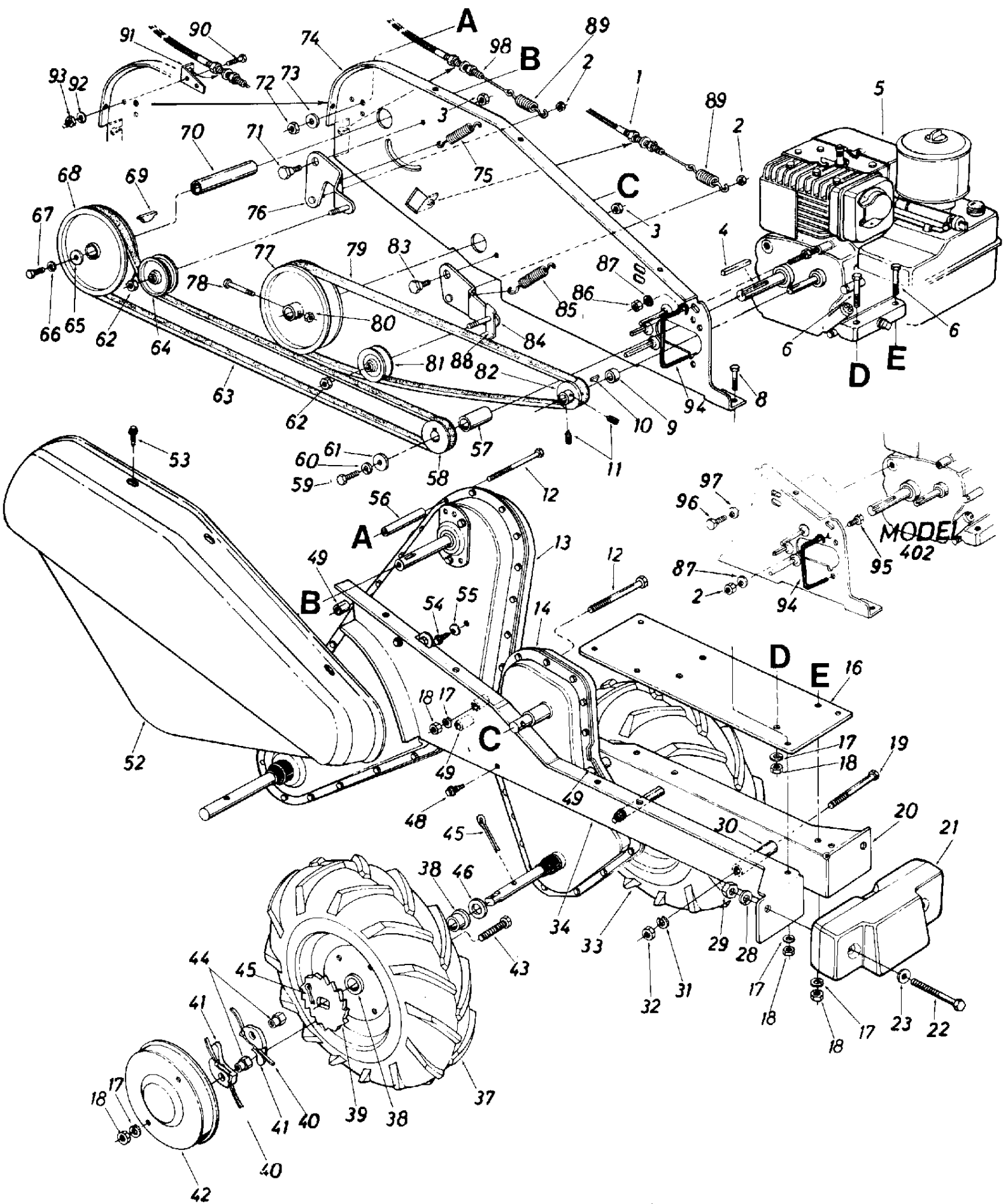
Parts

Ref #	Part Number	Qty	Description
1	711-0750	1	Clevis Pin 1/4 Dia. x 2.25"
2	720-0180	1	Grip
3	732-0442	1	Compression Spring .33" O.D. x 1.2" Lg.
4	726-0106	1	Cap Speed Nut 1/4" Rod
5	710-0458	1	Carr. Bolt 5/16-18 x 1.75"
7	784-0031	1	Clutch Grip Ass'y.-L.H. (Tines)
9	15093	1	Clutch Cable Bracket
10	710-0607	1	Hex Wash. S-Tap Scr. 5/16-18 x .62" Lg.
11	712-0256	1	Hex Nut 5/16-24 Thd.
12	736-0119	1	L-Wash. 5/16" I.D.
13	746-0484	1	Clutch Control Cable
14	712-0267	1	Hex Nut 5/16-18 Thd."
15	736-0119	1	L-Wash. 5/16" I.D.
16	784-0036	1	Handle Panel
17	749-0639	1	Handle-L.H. (402, 404)
	749-0637	1	Handle-L.H. (405)
18	712-0798	1	Hex Nut 3/8-16 Thd.
19	736-0169	1	L-Wash. 3/8" I.D.
20	736-0105	1	Bell-Wash. 3/8" I.D.
21	710-0253	1	Hex Bolt 3/8-16 x 1.00" Lg.
22	714-0507	1	Cotter Pin 3/32" Dia. x 3/4"
23	725-0157	1	Cable Tie
24	747-0432	1	Tiller Flap Rod (404, 405)
	747-0501	1	Tiller Flap Rod (402)
25	14989	1	End Cover Ass'y.-L.H.
	14990	1	End Cover Ass'y.-R.H. (Not Shown)
26	736-0242	1	Bell-Wash. 5/16" I.D.
27	712-0267	1	Hex Nut 5/16-18 Thd.
28	15390	1	Side Shield
29	15397	1	L.H. Tine Ass'y. Comp. (404, 405)
	15398	1	R.H. Tine Ass'y. Comp. (404, 405)(Not Shown)
	784-0083	1	L.H. Tine Ass'y. Comp. (402)
	784-0082	1	R.H. Tine Ass'y. Comp. (402)(Not Shown)
30	712-0241	1	Hex Nut 3/8-24 Thd.
31	736-0169	1	L-Wash. 3/8" I.D.
32	710-0191	1	Hex Bolt 3/8-24 x 1.25" Lg.
33	714-0149	1	Hairpin Cotter
34	14978	1	Tine Adapter Ass'y. (404, 405)
	784-0084	1	Tine Adapter Ass'y. (402)
35	742-0106	1	Tine 12" R.H.
36	742-0105	1	Tine 12" L.H.
37	711-0415	1	Clevis Pin 3/8" Dia.
38	712-0267	1	Hex Nut 5/16-18 Thd.*
39	736-0119	1	L-Wash. 5/16" I.D.
40	14979	1	Tine Shield Flap (404, 405)
	784-0088	1	Tine Shield Flap (402)
41	710-0736	1	Hex Bolt 5/16-18 x 1.0" Lg.
42	738-0507	1	Shld. Bolt 1/2" Dia. x .426"
43	736-0117	1	Fl-Wash. 3/8" I.D. x 5/8" O.D.
44	710-0216	1	Hex Bolt 3/8-16 x 3/4" Lg.
45	14992	1	Depth Bar Ass'y.
46	712-0267	1	Hex Nut 5/16-18 Thd.
47	736-0119	1	L-Wash. 5/16" I.D.
48	712-0267	1	Hex Nut 5/16-18 Thd.
49	736-0119	1	L-Wash. 5/16" I.D.
50	14975	1	Frame Rail-L.H.

Parts

Ref #	Part Number	Qty	Description
51	726-0175	1	Clamp 5/16" Dia.
52	736-0119	1	L-Wash. 5/16" I.D.
53	712-0267	1	Hex Nut 5/16-18 Thd.
54	710-0118	1	Hex Bolt 5/16-18 x 3/4" Lg.
55	720-0165	1	Ball Knob 1 1/4" Dia.
56	736-0169	1	L-Wash. 3/8" I.D.*
57	712-0798	1	Hex Nut 3/8-16 Thd.
58	710-0118	1	Hex Bolt 5/16-18 x .75" Lg.
59	15393	1	Brkt. Reinforcement (404, 405)
	784-0087	1	Brkt. Reinforcement (402)
	710-0118	1	Hex Bolt 5/16-18 x .75" Lg.*
61	784-0026	1	Tine Shield Ass'y. (405)
	14987	1	Tine Shield Ass'y. (404)
	784-0085	1	Tine Shield Ass'y. (402)
62	714-0149	1	Hairpin Cotter
63	711-0415	1	Clevis Pin 3/8" Dia.
64	749-0636	1	Handle-R.H. (405)
	749-0638	1	Handle-R.H. (402, 404)
65	720-0195	1	Hand Knob (405)
66	714-0127	1	Cotter Pin 1/16" Dia. x .75" Lg. (405)
67	712-0375	1	Hex Cent. L-Nut 3/8-16 Thd. (405)
68	784-0029	1	Clutch Grip Ass'y.-R.H. (Wheels)
69	738-0560	1	Shoulder Bolt .38" Dia. x 1.53" Lg.
70	741-0402	1	Hex Flange Plastic Bearing
71	738-0561	1	Shoulder Nut 1/4-20 Thd.
72	746-0502	1	Throttle Control Wire (404, 405)
	746-0512	1	Throttle Control Wire (402)
73	831-0692	1	Throttle Control Box Ass'y.
74	736-0219	1	Bell-Wash. .40" I.D. x 1.13" O.D. (405)
75	784-0022	1	Handle Pivot Bracket (405)
76	738-0281	1	Shoulder Bolt 5/8" Dia. x .165" Lg. (405)
77	784-0019	1	Handle Mtg. Bracket (405)
78	784-0025	1	Adj. Handle Ass'y. (405)
79	712-0375	1	Hex Cent. L-Nut 3/8-16 Thd. (405)
80	736-0105	1	Bell-Wash. .40" I.D. x .88" O.D. (405)
81	736-0253	1	Bell-Wash. 1/2" I.D. x 1.00" O.D. (405)
82	711-0765	1	Lock Pin 5/16" Dia. x 8" (405)
83	784-0023	1	Lower Sliding Ass'y. (405)
84	736-0463	1	FI-Wash. .291" I.D. x .62" O.D. (405)
85	732-0145	1	Compression Spring .36" O.D. x 1.00" Lg. (405)
86	738-0147	1	Shoulder Bolt 1/2" Dia. x .170" Lg. (405)
87	710-0599	1	Hex Wash. S-Tap Scr. 1/4-20 x .50" Lg.
88	736-0242	1	Bell-Wash. 5/16" I.D.
89	736-0285	1	FI-Wash. 5/8" I.D. (405)
90	710-0779	1	Self-Tap Scr. #10 x 1/2" Lg.

Parts



Parts

Ref #	Part Number	Qty	Description
1	746-0484	1	Clutch Control Cable (Wheels)
2	712-0107	1	Hex Cent. L-Nut 1/4-20 Thd.
3	712-0266	1	Hex Cent. L-Nut 3/8-16 Thd.*
4	714-0122	1	Sq. Key 3/16" Dia. x .75
5		1	Engine
6	710-0442	1	Hex Bolt 5/16-18 x 1.50" Lg.*
8	710-0118	1	Hex Bolt 5/16-18 x .75" Lg.*
9	711-0494	1	Spacer .51" I.D. x 314" O.D. x .39" Lg. (404, 405)
10	714-0131	1	Hi-Pro Key #5 Woodruff
11	710-0938	1	Set Scr. 1/4-28 x .25" Lg.
12	710-0189	1	Hex Bolt 5/16-18 x 3.0" Lg.*
13	14981	1	Chain Case Ass'y. Comp.- Tines
14	14963	1	Chain Case Ass'y. Comp.- Wheels (404, 405)
	784-0102	1	Chain Case Ass'y. Comp.- Wheels (402)
16	14973	1	Engine Mounting Plate
17	736-0119	1	L-Wash. 5/16" I.D.*
18	712-0267	1	Hex Nut 5/16-18 Thd.*
19	710-0830	1	Hex Bolt 3/8-24 x 3.0" Lg.*
20	14975	1	Frame Rail-L.H.
21	723-0340	1	Counter Weight
22	710-0786	1	Hex Bolt 1/2-13 x 4.0" Lg.*
23	736-0326	1	FI-Wash. 1/2" I.D. x 1.0" O.D.
28	736-0921	1	L-Wash. 1/2" I.D.*
29	712-0206	1	Hex Nut 1/2-13 Thd.*
30	750-0579	1	Spacer 3/8" I.D. x 518" O.D. x 2.18" Lg.
31	736-0169	1	L-Wash. 3/8" I.D.*
32	712-0241	1	Hex Nut 3/8-24 Thd.*
33	734-1129	1	Comp. Wheel Ass'y.-L.H.
34	14974	1	Frame Rail-R.H.
37	734-1130	1	Comp. Wheel Ass'y.-R.H.
38	741-0227	1	Flange Brg. 7/8" I.D. x 1.12" Lg.
39	748-0292	1	Ratchet Wheel
40	10622	1	Nylon Spring
41	748-0291	1	Pawl.44" I.D.
42	14967	1	Wheel Cover
43	710-0874	1	Hex Bolt 5/16-18 x 1.25" Lg.*
44	712-0329	1	Special Hex Nut 5/16-24 Thd.
45	714-0470	1	Cotter Pin 1/8" Dia. x 1.25"*
46	736-0214	1	FI-Wash. 7/8" I.D. x 1-3/8" O.D. x .06
48	710-0600	1	Hex Wash. Self-Tap Scr. 5/16-24 x .50" Lg.
49	750-0470	1	Spacer 5/16" I.D. x 16 Ga. x.96" Lg.
52	14980	1	Belt Cover
53	710-0599	1	Hex Wash. S-Tap Scr. 1/4-20 x.50" Lg.
54	710-0653	1	Hex Wash. S-Tap Scr. 1/4-20 x 3/8" Lg.
55	736-0270	1	Bell-Wash. 1/4" I.D.
56	750-0219	1	Spacer 3/8" I.D. x 1/2" O.D. x 2.0" Lg.
57	750-0442	1	Spacer 3/4" I.D. x 1.12" O.D. x 1.56" Lg.
58	756-0396	1	1/2" "V"-4L Pulley 3/4" I.D. x 2.59" O.D.
59	710-0117	1	Hex Bolt 5/16-24 x 1.0" Lg.
60	736-0119	1	L-Wash. 5/16" I.D.*
61	736-0343	1	FI-Wash. 5/16" I.D. x 1.25" O.D. (402, 404, 405)
62	712-0116	1	Hex L-Nut 3/8-24 Thd.
63	754-0195	1	"V"-Belt
64	756-0405	1	FI-Idler Pulley 3.75" O.D. x 3/8" I.D.
65	736-0176	1	FI-Wash. .25" I.D. x .93" O.D. x .120
66	736-0329	1	L-Wash. 1/4" I.D.*

Parts

Ref #	Part Number	Qty	Description
67	710-0412	1	Hex Bolt 1/4-28 x .75" Lg.*
68	756-0389	1	Split Pulley 6" Dia. x 5/8" I.D.
69	714-0388	1	Hi-Pro Key
70	750-0472	1	Spacer
71	738-0183	1	Shld. Bolt 1/2" Dia. x .210" Lg.
72	712-0267	1	Hex Nut 5/16-18 Thd.*
73	736-0119	1	L-Wash. 5/16" I.D.*
74	14991	1	Side Plate Ass'y.
75	732-0445	1	Ext. Spring .50" O.D. x 1.55" Lg.
76	14971	1	Idler Bracket Ass'y.-Tines
77	756-0387	1	Pulley 6" Dia. x 5/8" I.D.
78	710-0698	1	Hex Bolt 1/4-28 x 1.50" Lg.*
79	754-0109	1	"V"-Belt (404, 405)
	754-0207	1	"V"-Belt (402)
80	712-0117	1	Hex Cent. L-Nut 1/4-28 Thd.*
81	756-0166	1	"V"-Idler Pulley 2-5/8" O.D.
82	756-0386	1	1/2" "V"-Pulley 2 1/4" O.D. x .50" I.D.
83	738-0147	1	Shld. Bolt 1/2" Dia. x .160" Lg.
84	14969	1	Idler Bracket Ass'y-Wheels
85	732-0445	1	Ext. Spring .50" O.D. x 1.55" Lg. (404, 405)
	732-0444	1	Ext. Spring .50" O.D. x 1.97" Lg. (402)
86	712-0287	1	Hex Nut 1/4-20 Thd.*
87	736-0270	1	Bell-Wash. 1/4" I.D.
88	15399	1	Belt Keeper Ass'y.
89	732-0387	1	Ext. Spring
90	710-0118	1	Hex Bolt 5/16-18 x .75"* (405)
91	15093	1	Clutch Cable Brkt. (405)
92	736-0119	1	Lock Washer 5/16" I.D.* (405)
93	712-0267	1	Hex Nut 5/16-18 Thd.* (405)
94	747-0507	1	Belt Keeper
95	710-0106	1	Hex Bolt 1/4-20 x 1.25" Lg.* (402)
96	710-0237	1	Hex Bolt 5/16-24 x .62" Lg.* (402)
97	736-0242	1	Bell-Wash. 5/16" I.D. (405)
98	746-0484	1	Clutch Control Cable (Tines)(402, 404)
	746-0535	1	Clutch Control Cable (Tines)(405)
402		1	UNKNOWN