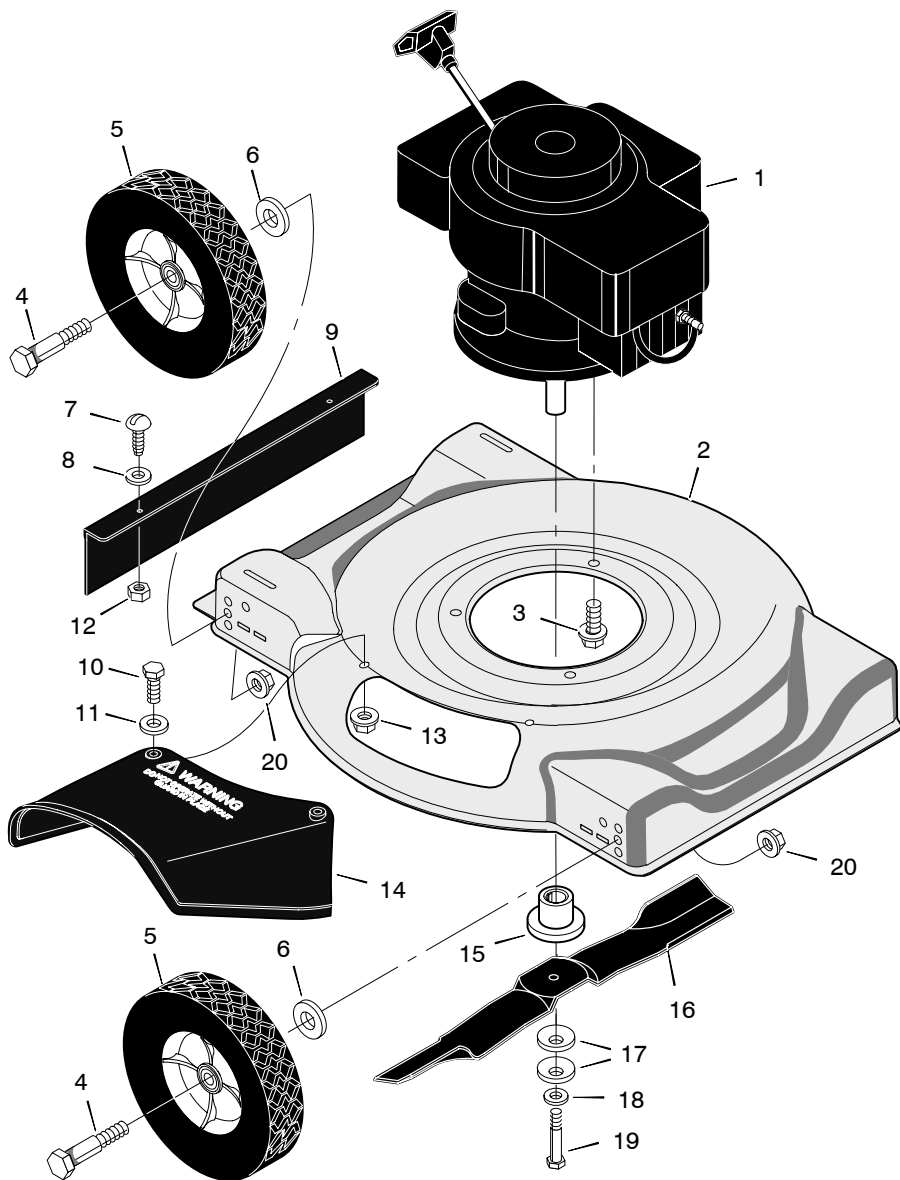


Model 20112x92C

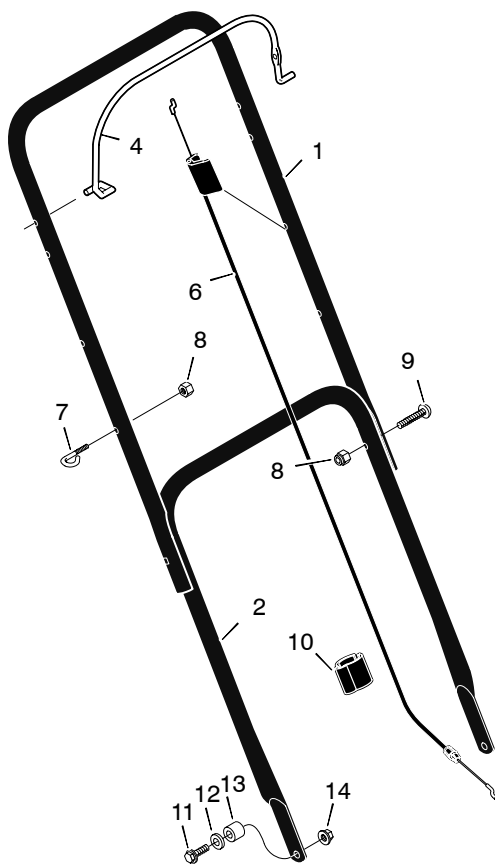


Model 20112x92C

KEY NO.	PART NO.	DESCRIPTION
1	*	Engine, Briggs & Stratton
2	7950007	Housing
3	0025x6	Bolt, Engine
4	009x10	Bolt, Axle
5	020270	Wheel and Tire #
6	845	Washer
7	004x21	Screw
8	017x38 Z	Washer
9	671912	Deflector, Rear
10	01x121	Bolt
11	017x37	Washer
12	15x102	Nut
13	15x116	Locknut
14	671929	Deflector, Chute
15	071056	Blade Adapter
16	042785E701	Blade – 20"
17	17x137	Washer, Blade
18	17x124	Washer
19	01x142	Bolt
20	015x68	Locknut
–	672733	Loose Parts Hardware Bag
–	F-050406L	Book, Instruction

* For information on Replacement Parts for this engine contact the manufacturer.

Model 20112x92C



KEY NO.	PART NO.	DESCRIPTION	KEY NO.	PART NO.	DESCRIPTION
1	1101095E701	Handle, Upper (Black)	9	03x136	Screw
2	1102085E701	Handle, Lower (Black)	10	1101352	Clip, Cable
4	1101963E701	Lever, Stop	11	01x111	Bolt
6	1102093	Engine Stop Cable	12	845	Washer
7	043956	Guide, Rope	13	671914	Spacer
8	15x116	Locknut	14	015x84	Nut